



US00D932428S

(12) **United States Design Patent** (10) **Patent No.:** **US D932,428 S**
Reimann et al. (45) **Date of Patent:** **** Oct. 5, 2021**

(54) **CHARGING CASE FOR WIRELESS EARBUDS**

(71) Applicant: **Google LLC**, Mountain View, CA (US)

(72) Inventors: **Gina Reimann**, Los Gatos, CA (US); **Luke David Mastrangelo**, San Francisco, CA (US); **Maj Isabelle Olsson**, Sunnyvale, CA (US); **Idil Girard**, Santa Clara, CA (US); **Peter Michael Cazalet**, Los Gatos, CA (US); **Benjamin Caleb Carroll**, San Francisco, CA (US); **Shameem Hameed**, San Jose, CA (US); **Sandeep Singh Waraich**, Mountain View, CA (US)

(73) Assignee: **GOOGLE LLC**, Mountain View, CA (US)

(**) Term: **15 Years**

(21) Appl. No.: **29/709,192**

(22) Filed: **Oct. 11, 2019**

(51) **LOC (13) Cl.** **13-02**

(52) **U.S. Cl.**
USPC **D13/108; D3/294**

(58) **Field of Classification Search**
USPC D13/103, 107, 108, 118, 119, 184;
D3/201, 208, 218, 266, 273, 274, 294,
(Continued)

(56) **References Cited**

U.S. PATENT DOCUMENTS

D239,160 S * 3/1976 Giberstein D9/426
D806,388 S * 1/2018 Akana D3/294
(Continued)

FOREIGN PATENT DOCUMENTS

CN 305089686 S 4/2019
CN 305299378 S 8/2019
(Continued)

OTHER PUBLICATIONS

“LaLa—Stone Headphone”. Found online Dec. 23, 2020 at behance.net. Reference dated May 25, 2018. Retrieved from <https://www.behance.net/gallery/66033095/Stone-headphone>. (Year: 2018).*

(Continued)

Primary Examiner — Kendra Leslie Hamilton

Assistant Examiner — Amanda Christensen

(74) *Attorney, Agent, or Firm* — Leason Ellis LLP

(57) **CLAIM**

The ornamental design for a charging case for wireless earbuds, as shown and described.

DESCRIPTION

This application is related to application Ser. No. 29/709,173, entitled Wireless Earbud, and application Ser. No. 29/709,177, entitled Charging Case, both filed on Oct. 11, 2019, the disclosures all of which are incorporated herein by reference.

FIG. 1 is a top, front, right side perspective view of a first embodiment of a charging case for wireless earbuds, showing our new design;

FIG. 2 is a front elevation view thereof;

FIG. 3 is a rear elevation view thereof;

FIG. 4 is a left side elevation view thereof;

FIG. 5 is a right side elevation view thereof;

FIG. 6 is a top plan view thereof;

FIG. 7 is a bottom plan view thereof;

FIG. 8 is a top, front, right side perspective view thereof;

FIG. 9 is a top, front, right side perspective view of a second embodiment of a charging case for wireless earbuds, showing our new design;

FIG. 10 is a front elevation view thereof;

FIG. 11 is a rear elevation view thereof;

FIG. 12 is a left side elevation view thereof;

FIG. 13 is a right side elevation view thereof;

FIG. 14 is a top plan view thereof;

FIG. 15 is a bottom plan view thereof;

FIG. 16 is a top, front, right side perspective view thereof;

(Continued)

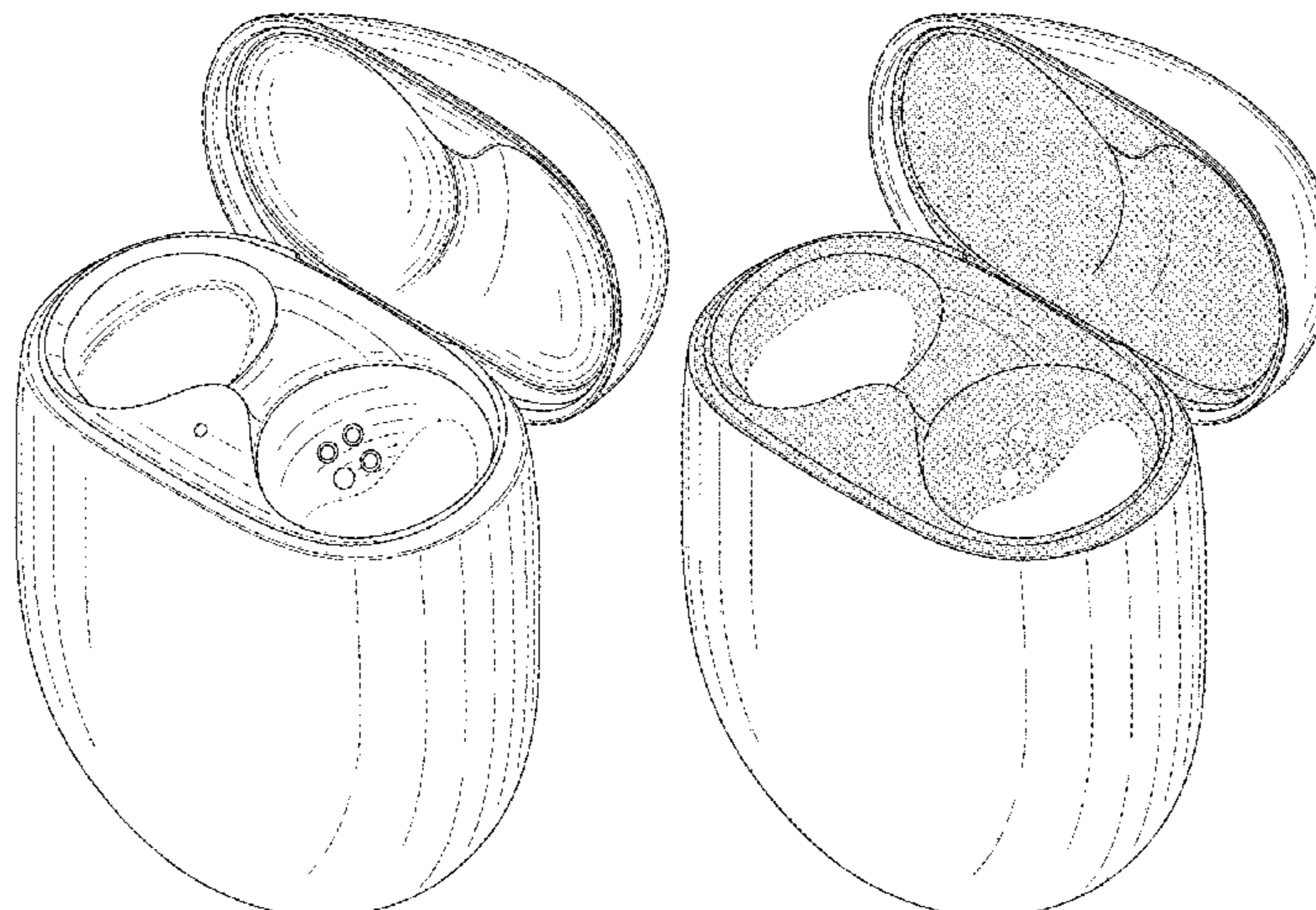


FIG. 17 is a top, front, right side perspective view of a third embodiment of a charging case for wireless earbuds, showing our new design;

FIG. 18 is a front elevation view thereof;

FIG. 19 is a rear elevation view thereof;

FIG. 20 is a left side elevation view thereof;

FIG. 21 is a right side elevation view thereof;

FIG. 22 is a top plan view thereof;

FIG. 23 is a bottom plan view thereof; and,

FIG. 24 is a top, front, right side perspective view thereof.

The broken lines in the drawings depict portions of the charging case for wireless earbuds that form no part of the claimed design. The portions shown in a pattern of stipple illustrate areas of contrasting appearance.

1 Claim, 24 Drawing Sheets

(58) **Field of Classification Search**

USPC D3/301, 302; D14/223, 251, 432, 434;
D9/414, 420, 423, 430, 503
CPC .. H01M 2/02; G06F 1/1628; A45C 2011/001;
B65D 43/16

See application file for complete search history.

(56) **References Cited**

U.S. PATENT DOCUMENTS

D826,152 S *	8/2018	Christiansen	D13/108
D849,401 S *	5/2019	Akana	D3/274
D876,526 S *	2/2020	Fuller	D16/237
D893,184 S *	8/2020	Liu	D3/294
D897,997 S *	10/2020	Zhang	D14/223
D901,377 S *	11/2020	Zhou	D13/108
D902,588 S *	11/2020	Zhang	D3/294
D904,025 S *	12/2020	Ma	D3/295

2020/0068285	A1*	2/2020	Dang	H04R 1/1016
2020/0233046	A1*	7/2020	Ding	H02J 50/10
2020/0304898	A1*	9/2020	Cohen	H04R 1/1016

FOREIGN PATENT DOCUMENTS

CN	305450204	S	11/2019
JP	1557844	S	9/2016
JP	1605118	S	5/2018
JP	1646135	S	11/2019
JP	1670157	S	10/2020
KR	300978623	S	10/2018

OTHER PUBLICATIONS

“Vivo Nex 3 5G and TWS Earphone”. Found online Dec. 23, 2020 at sparrowsnews.com. Reference dated Sep. 16, 2019. Retrieved from <https://sparrowsnews.com/2019/09/16/vivo-nex-3-5g-and-tws-earphone-official-introduction/>. (Year: 2019).*

“Google Pixel Earbuds 2”. Found online Dec. 4, 2020 at androidauthority.com. Reference dated Oct. 15, 2019. Retrieved from <https://www.androidauthority.com/google-pixel-buds-2-review-1040861/>. (Year: 2019).*

Airpods Case sold by Apple at least as early as Aug. 2019. 9 pages. [online], [retrieved on Apr. 16, 2020]. Retrieved from the internet <URL: <https://www.bestbuy.com/site/apple-airpods-wireless-charging-case-white/6296120.p?skuId=6296120>>>.

Roy, Jacqueline et al. “Apple reveals new AirPods Pro, available Oct. 30.” Oct. 28, 2019. 9 pages. Retrieved from the Internet: <<https://www.apple.com/newsroom/2019/10/apple-reveals-new-airpods-pro-available-october-30/>>.

Design U.S. Appl. No. 29/709,173, filed Oct. 11, 2019. 52 pages.

Design U.S. Appl. No. 29/709,177, filed Oct. 11, 2019. 22 pages.

Design U.S. Appl. No. 29/730,537, filed Apr. 6, 2020. 51 pages.

Design U.S. Appl. No. 29/730,550, filed Apr. 6, 2020. 88 pages.

“Nikkei Trendy.” Jan. 2018, No. 425, Dec. 4, 2017, p. 26.

Wego Co., Ltd. From Website for Japanese Online Clothing Retail Store. 2019. 6 pages.

“Tokusengai.” New Products Mar. 2017, No. 3, vol. 39, Feb. 3, 2017, p. 109.

* cited by examiner



FIG. 1

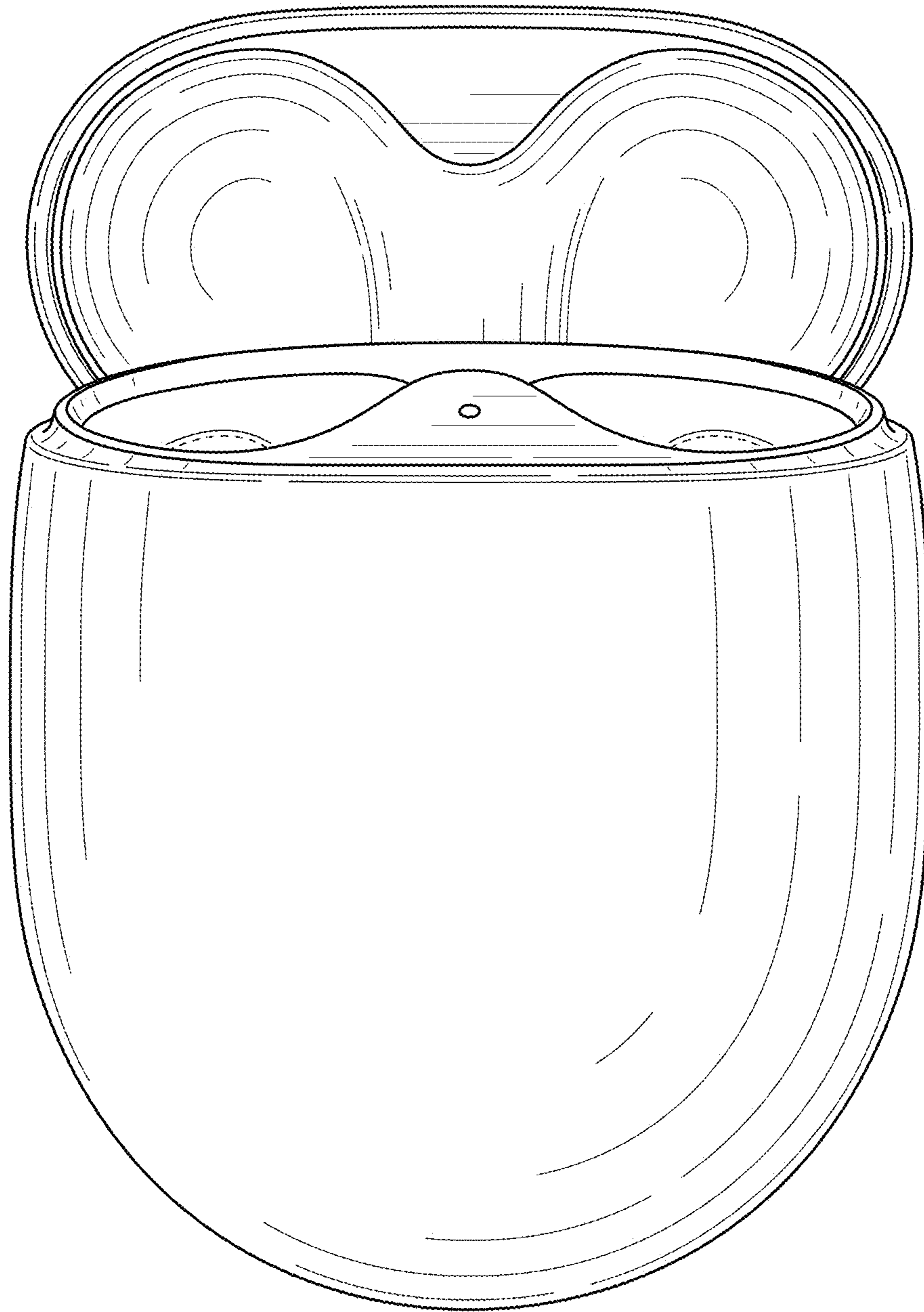


FIG. 2

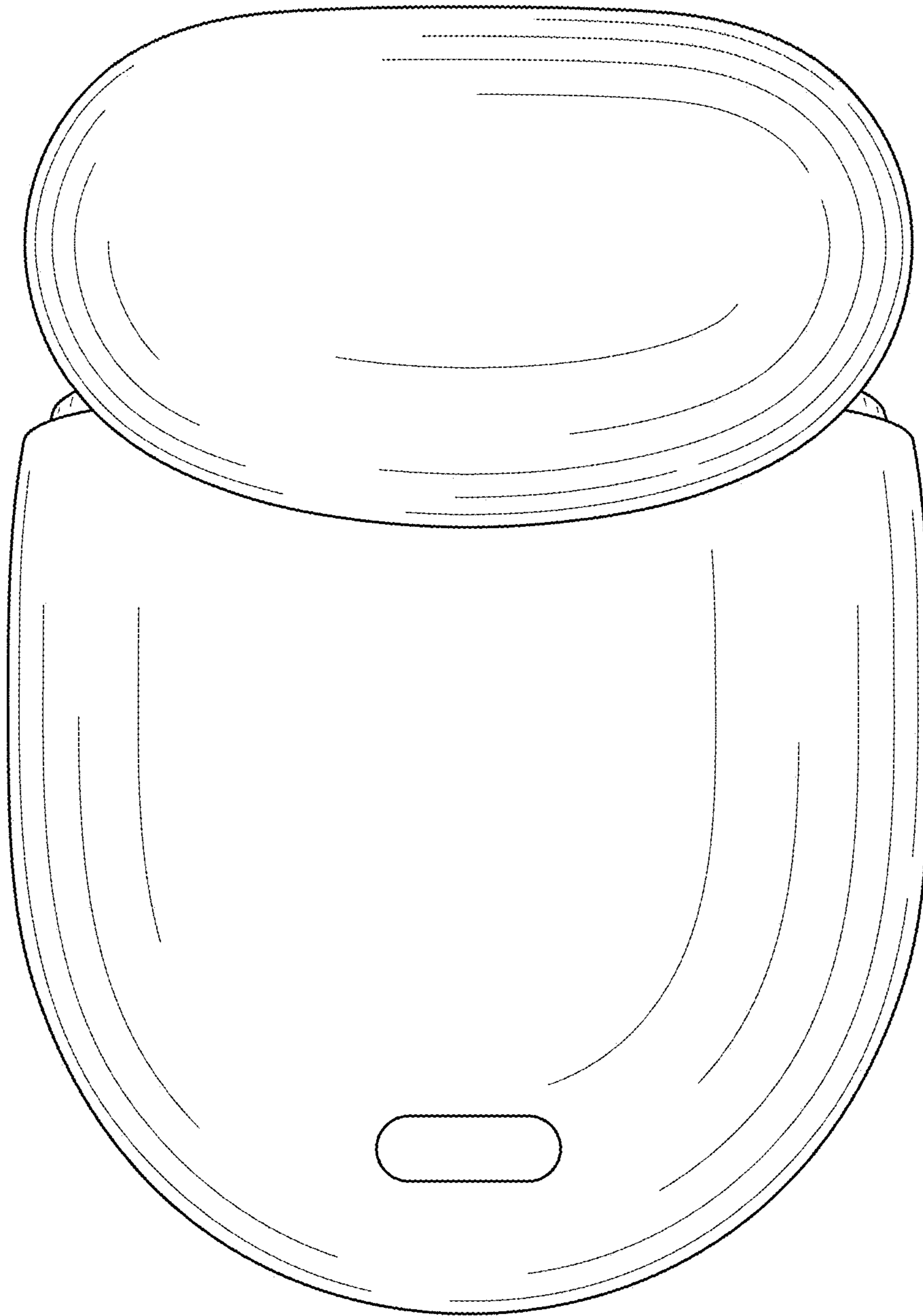


FIG. 3



FIG. 4



FIG. 5

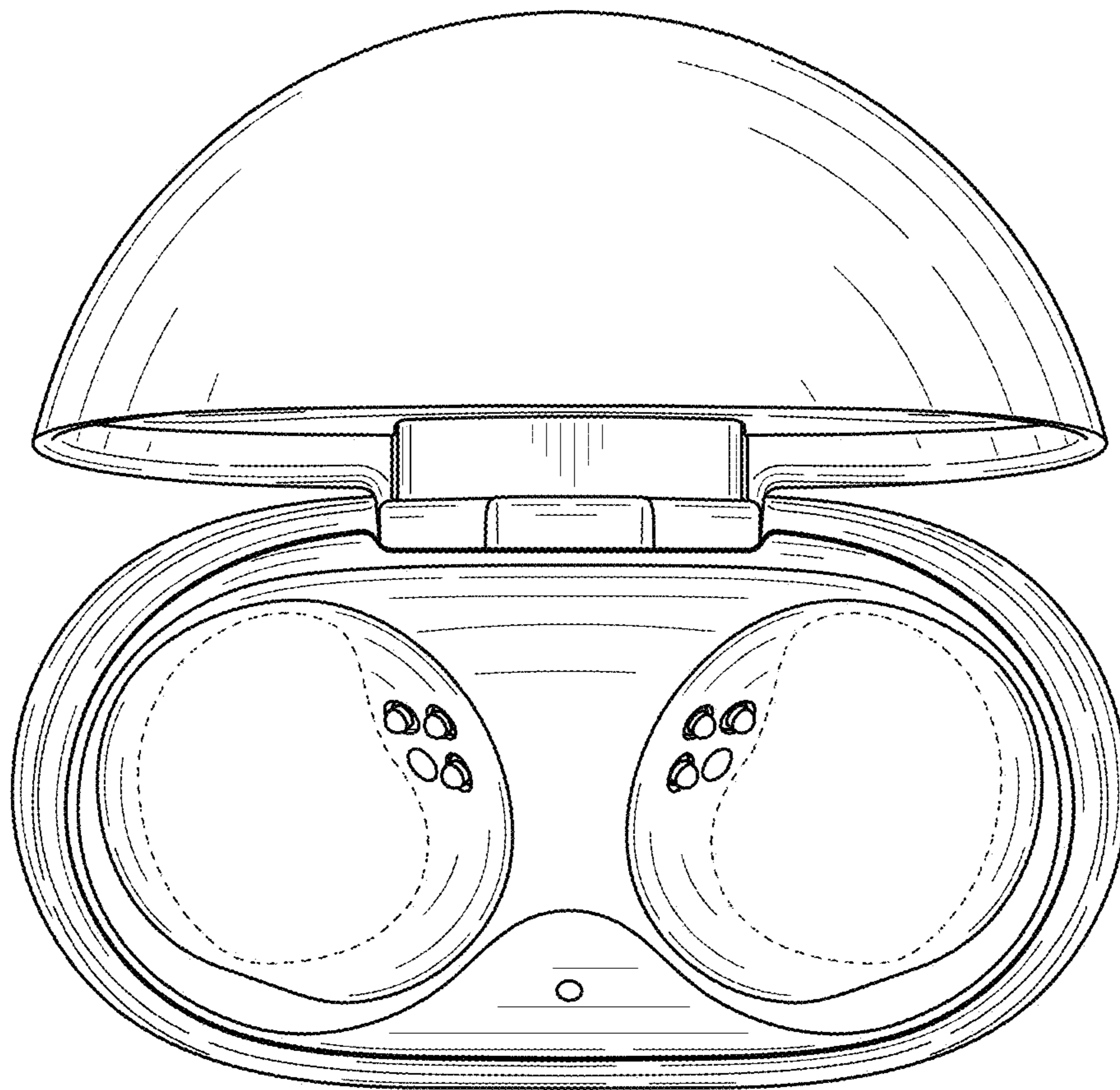


FIG. 6

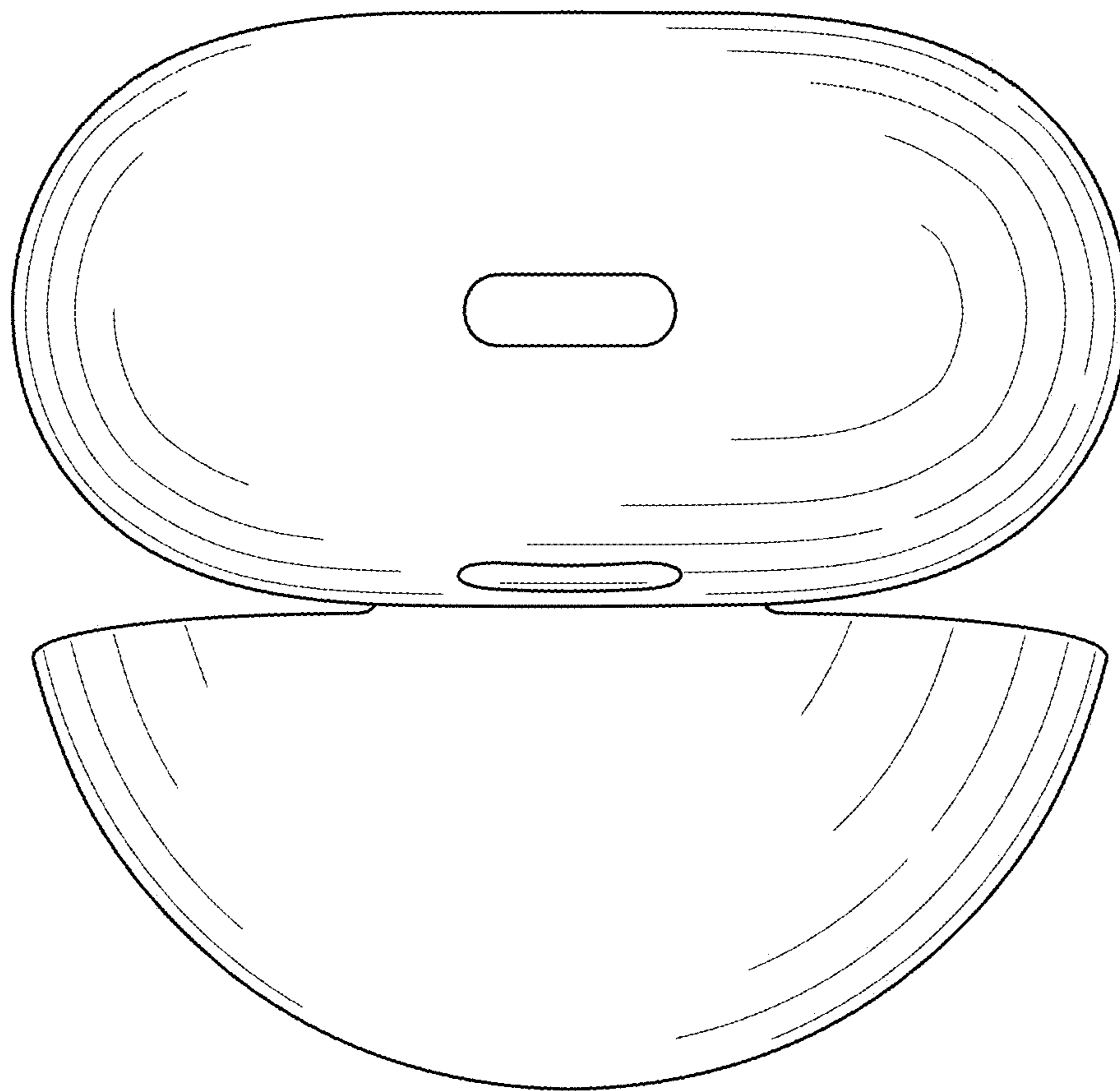


FIG. 7

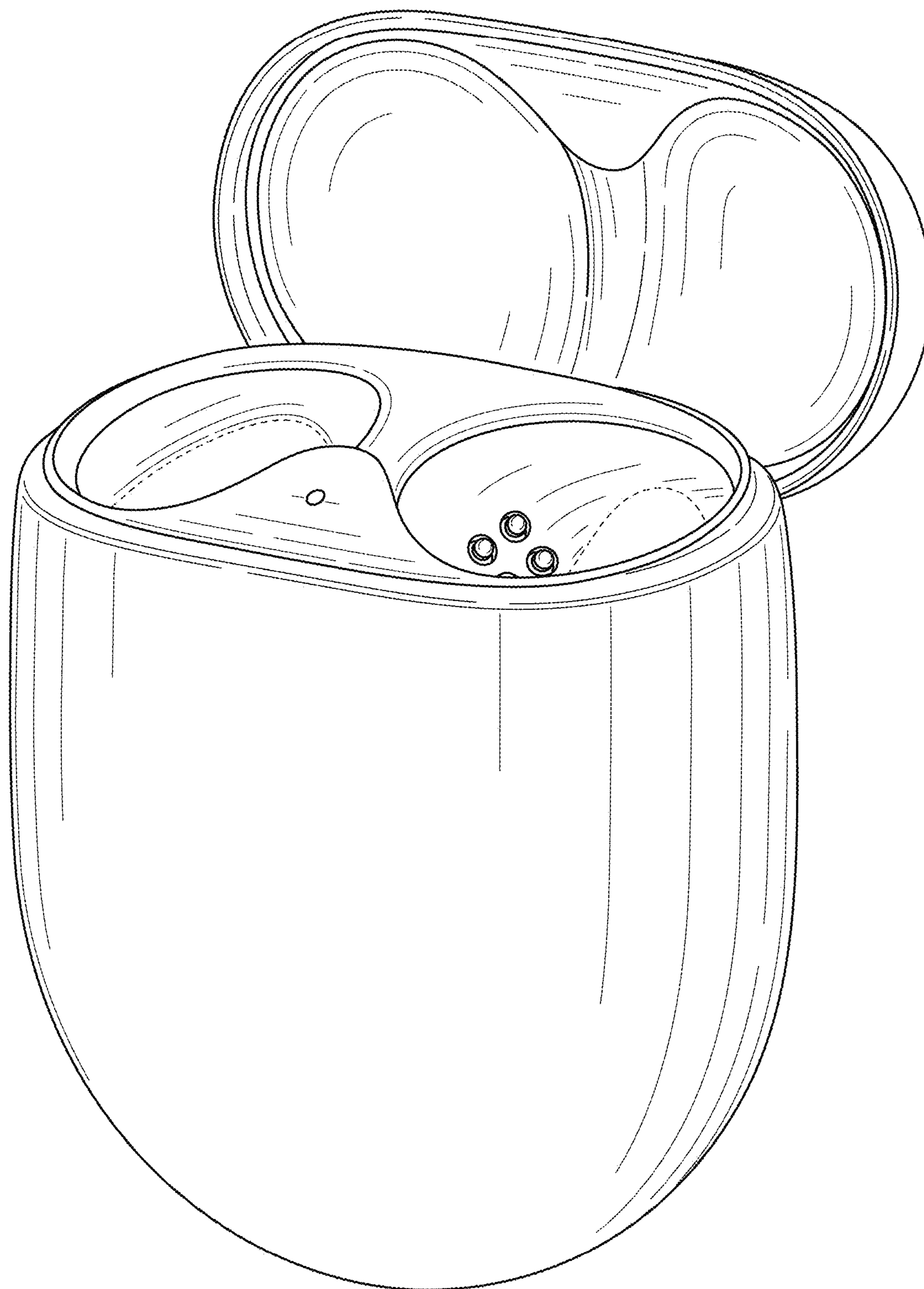


FIG. 8



FIG. 9



FIG. 10

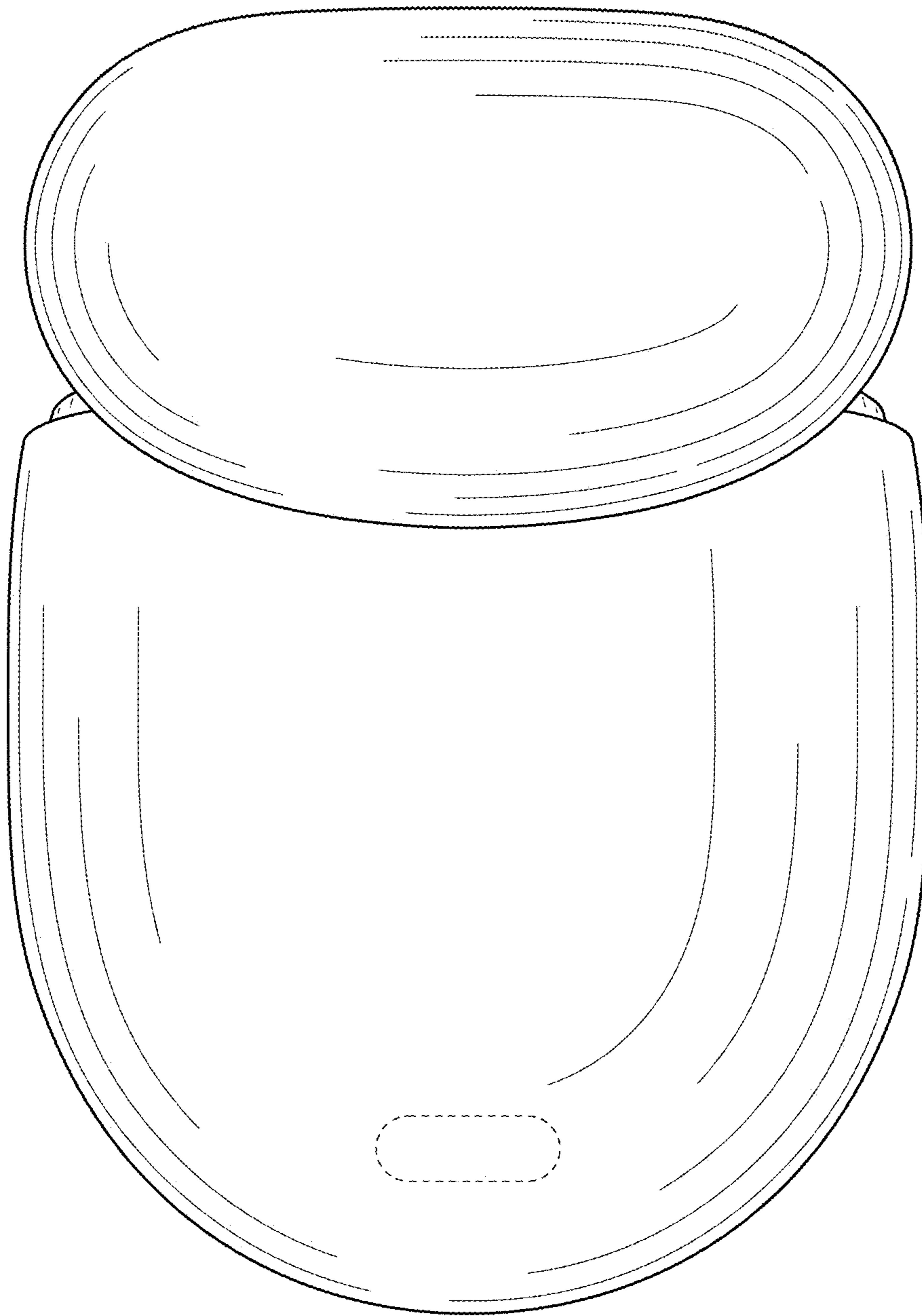


FIG. 11



FIG. 12

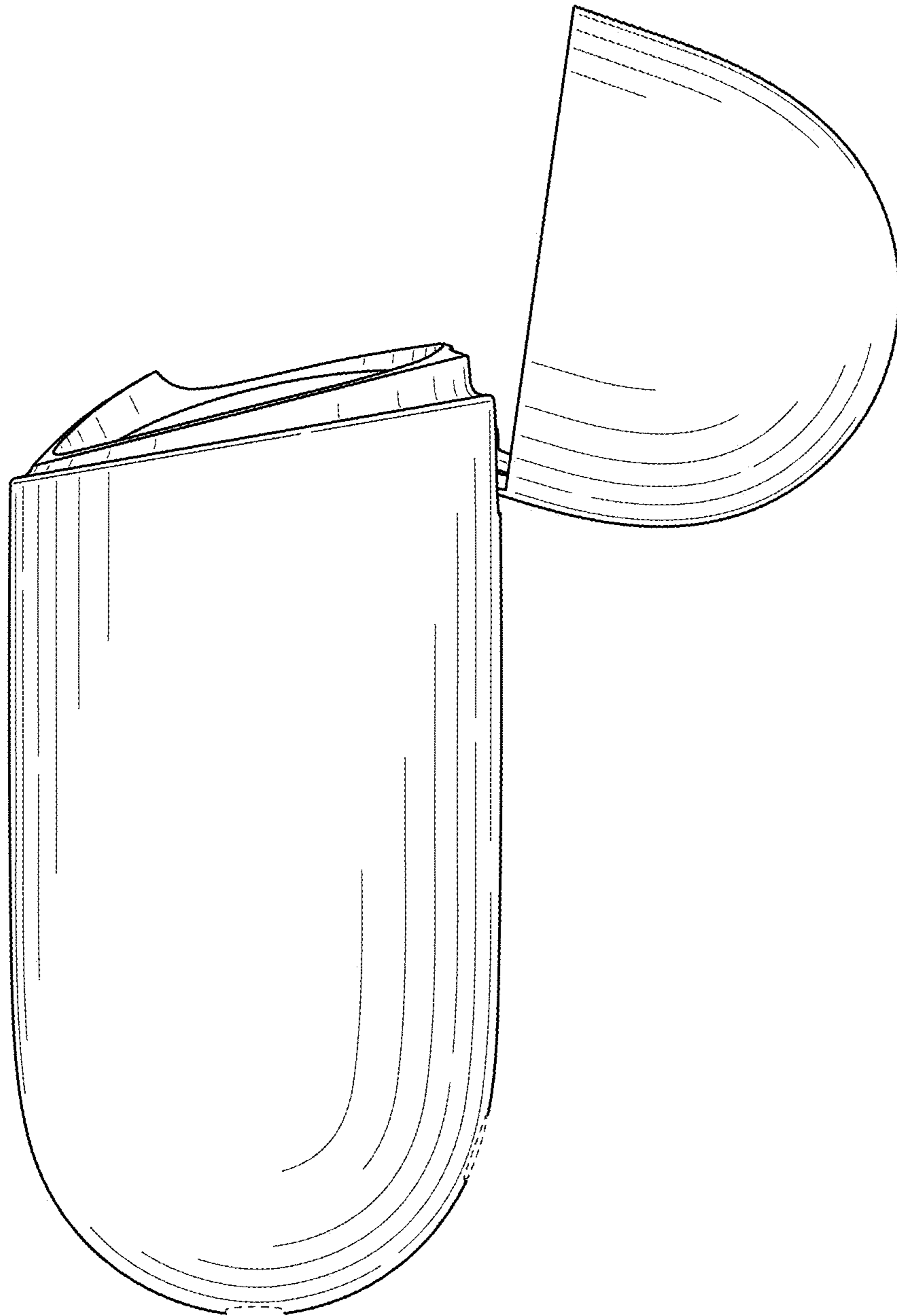


FIG. 13

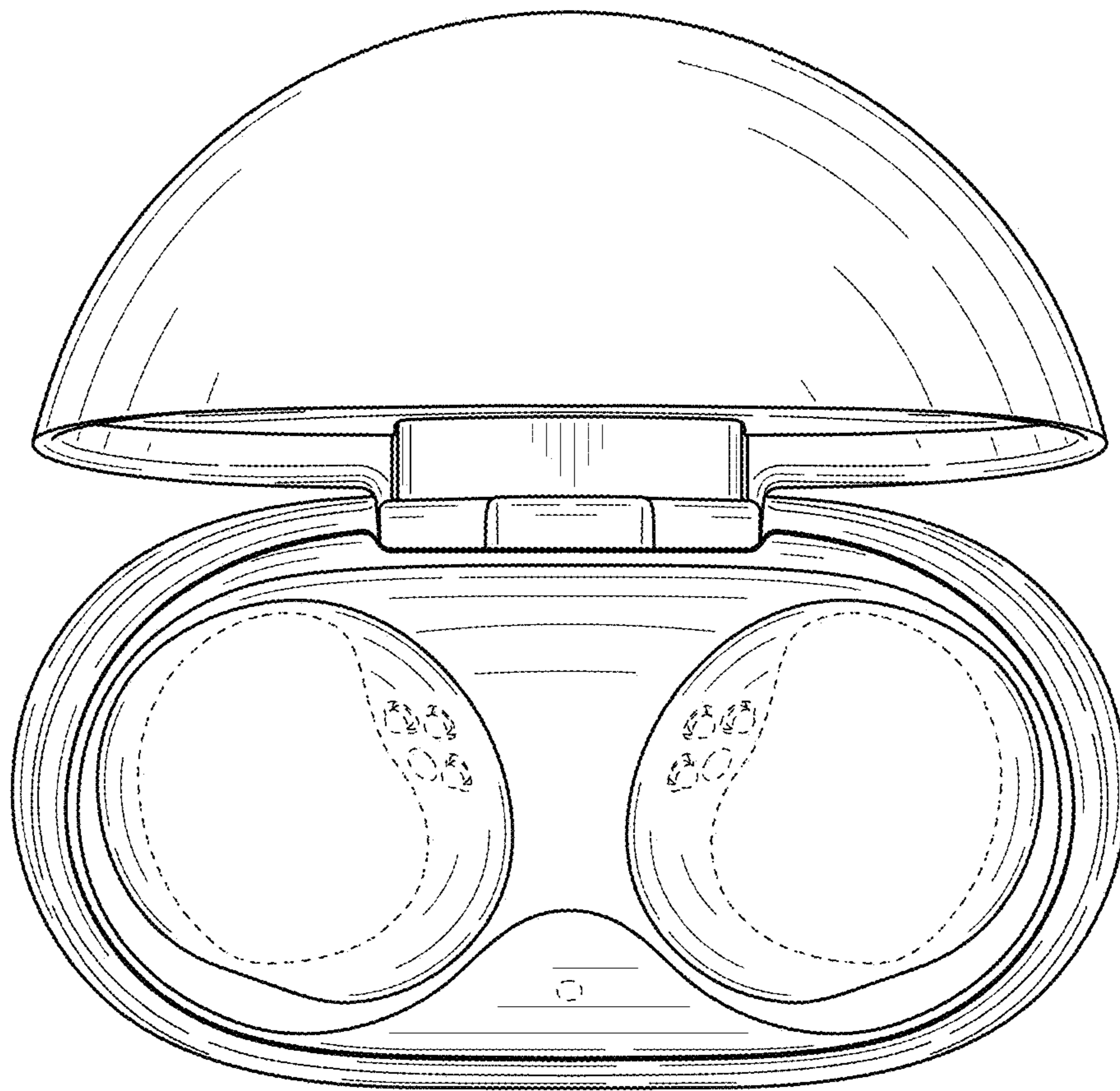


FIG. 14

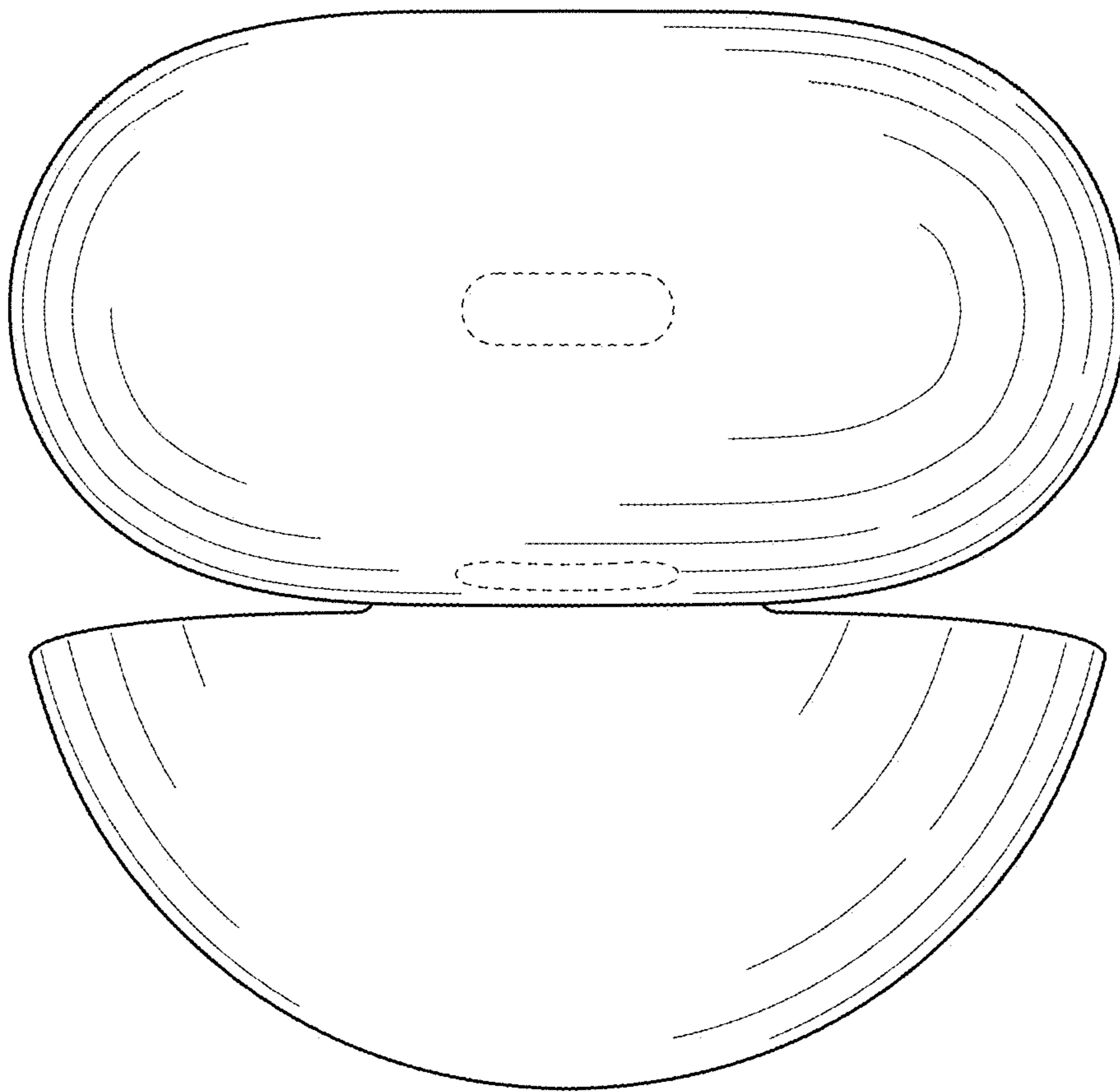


FIG. 15



FIG. 16

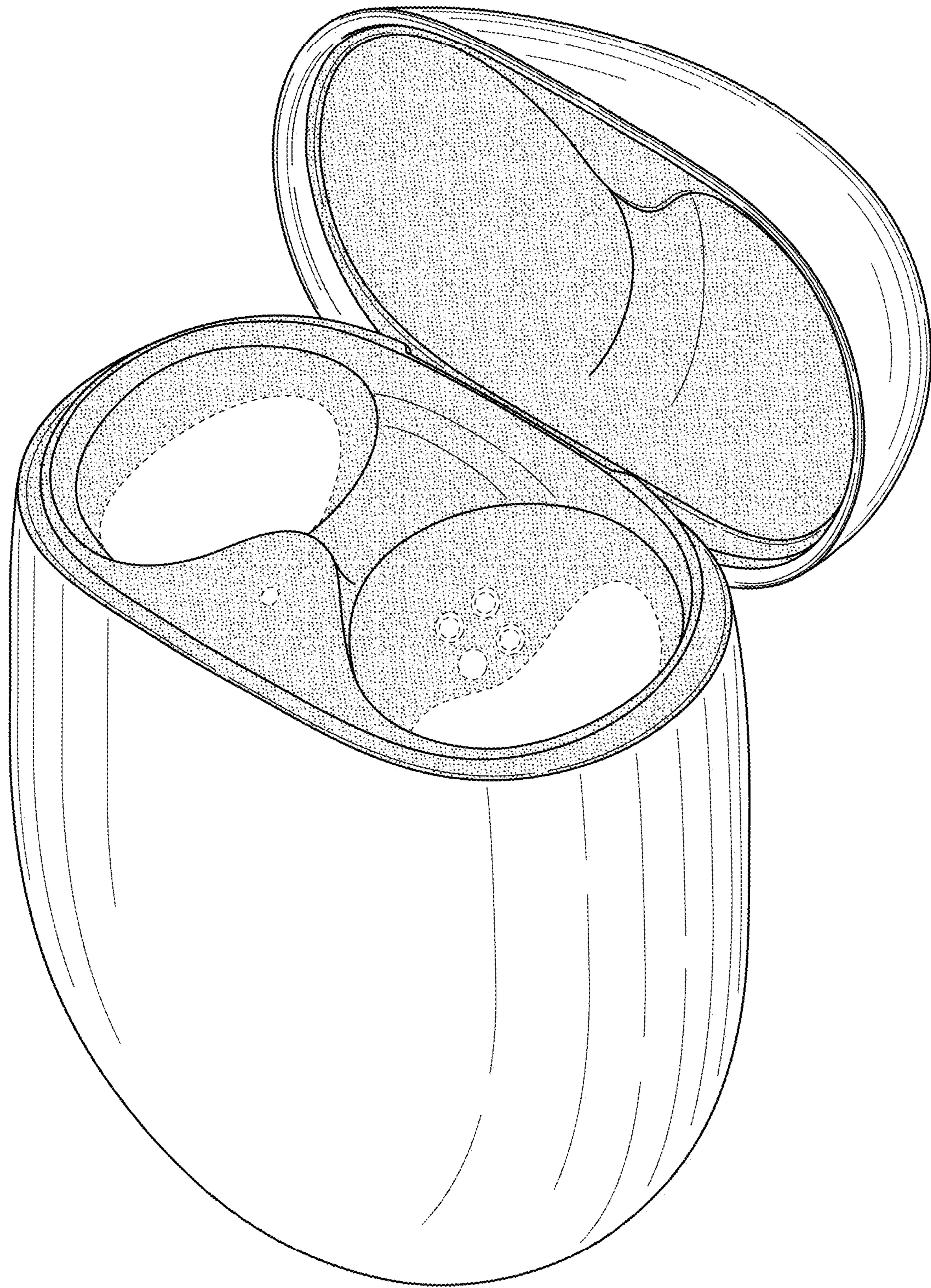


FIG. 17

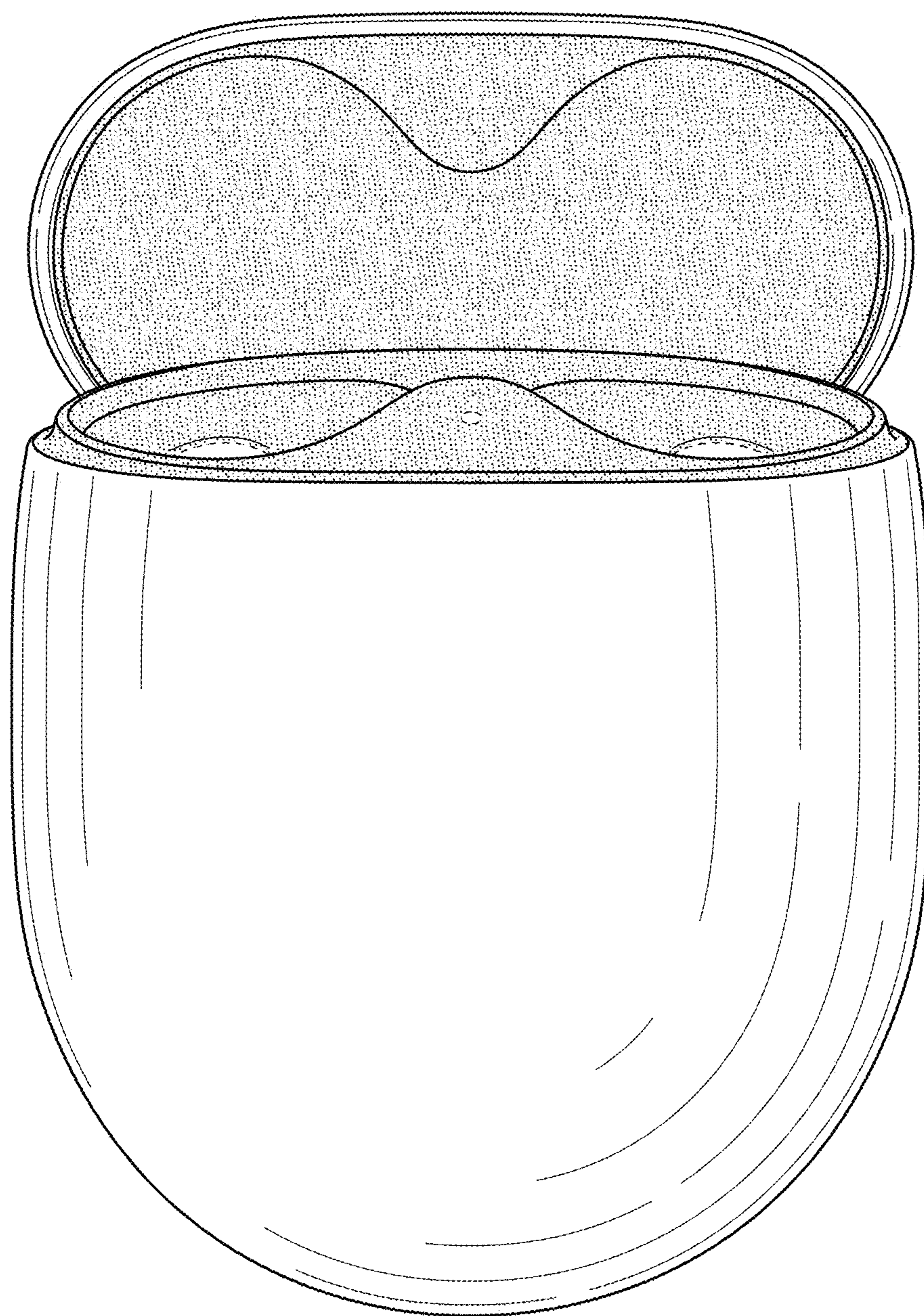


FIG. 18

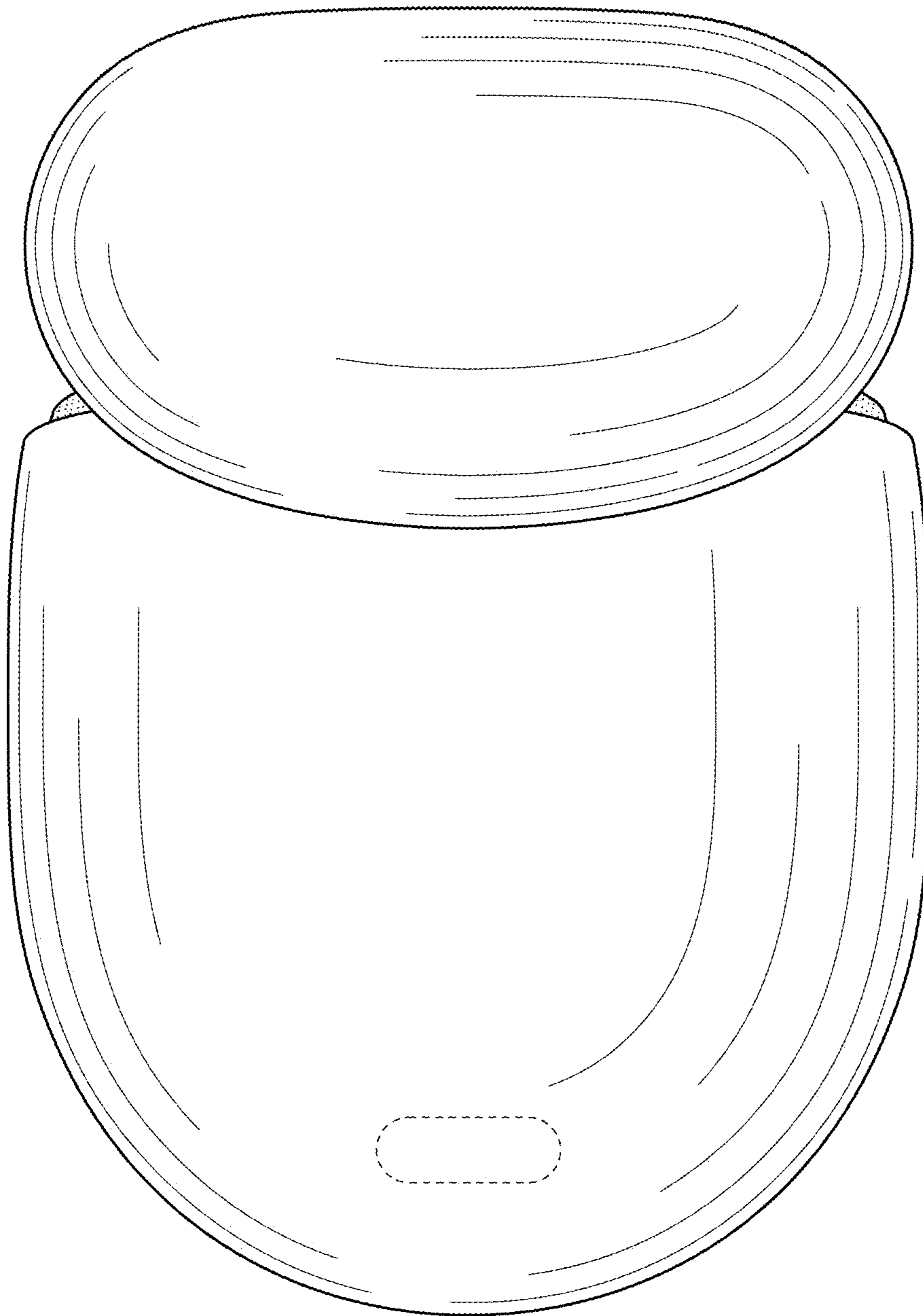


FIG. 19



FIG. 20

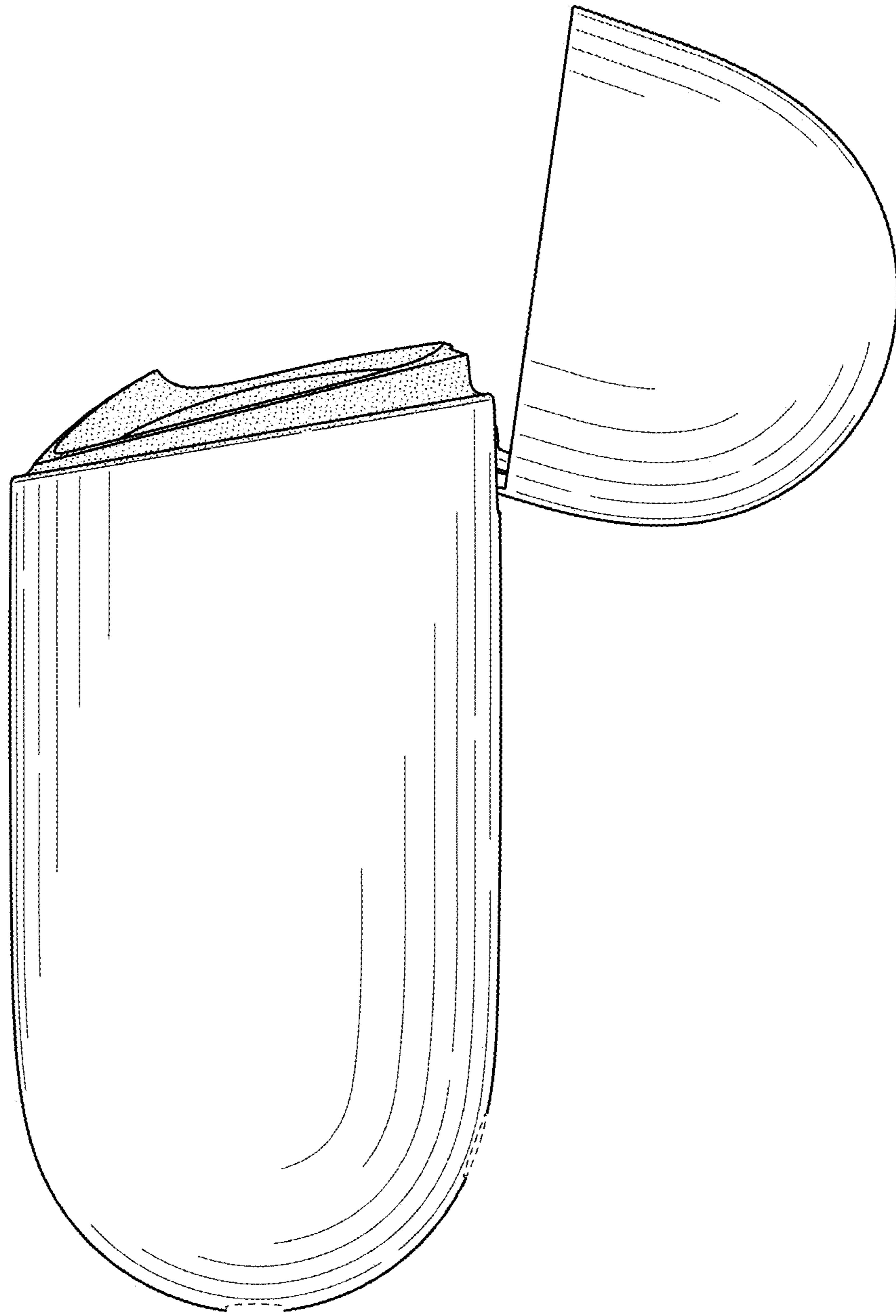


FIG. 21

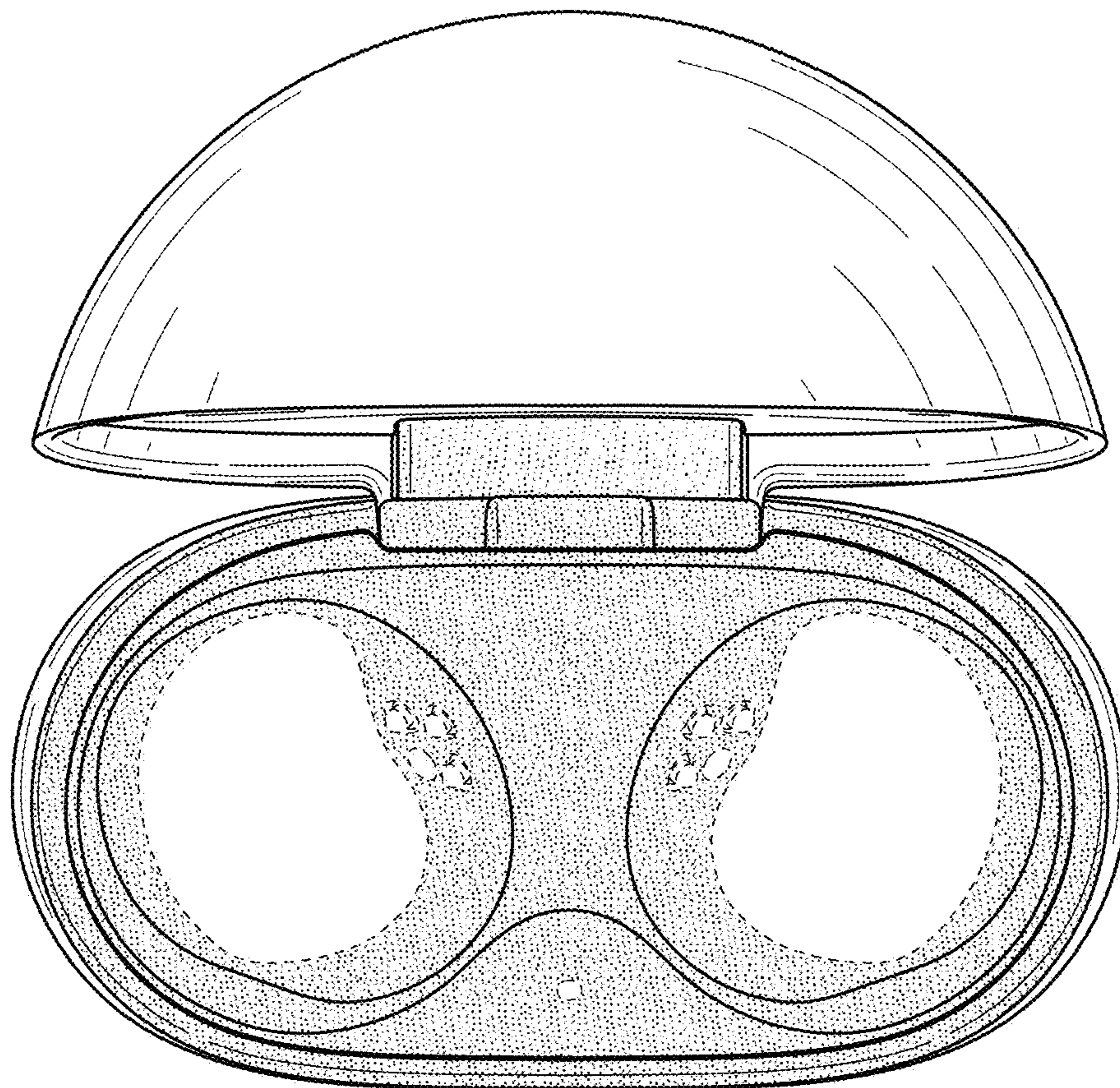


FIG. 22

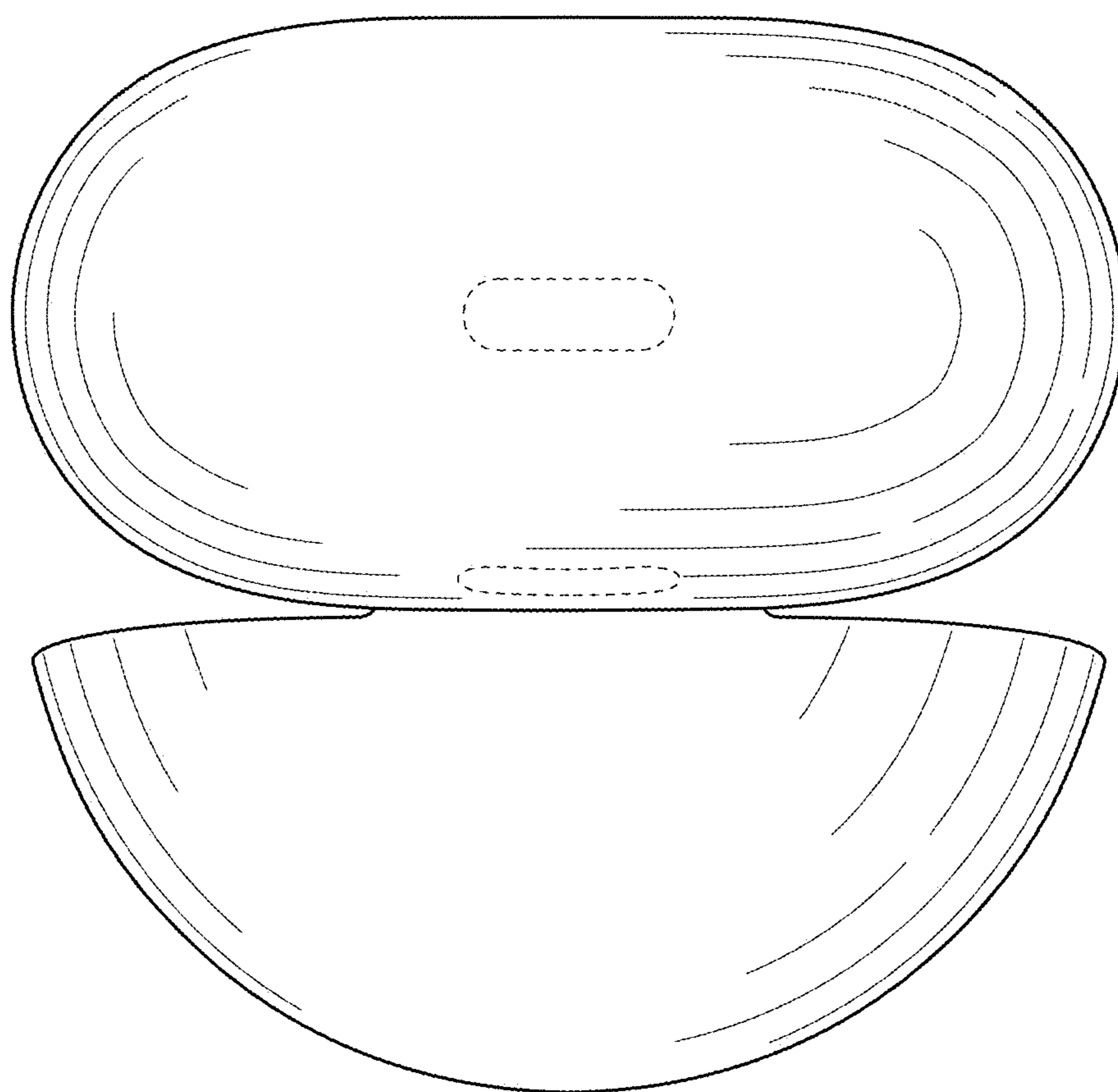


FIG. 23



FIG. 24