



US00D932427S

(12) **United States Design Patent** (10) **Patent No.:** **US D932,427 S**
Schoeck et al. (45) **Date of Patent:** **** Oct. 5, 2021**

(54) **COMBINATION CASE AND CHARGER FOR EARPHONES**

(71) Applicant: **Microsoft Corporation**, Redmond, WA (US)

(72) Inventors: **Kaitlyn Schoeck**, Seattle, WA (US);
Young Soo Kim, Bellevue, WA (US);
Timothy G. Escolin, Seattle, WA (US)

(73) Assignee: **Microsoft Corporation**, Redmond, WA (US)

(**) Term: **15 Years**

(21) Appl. No.: **29/707,906**

(22) Filed: **Oct. 1, 2019**

(51) **LOC (13) Cl.** **13-02**

(52) **U.S. Cl.**
USPC **D13/108; D3/294**

(58) **Field of Classification Search**
USPC D13/103, 107, 108, 110, 118, 119, 152,
D13/184, 199; D3/201, 208, 215, 218,
D3/273, 274, 276, 294, 295
CPC .. H04R 1/1025; B65D 43/16; A45C 2011/001
See application file for complete search history.

(56) **References Cited**

U.S. PATENT DOCUMENTS

D586,557 S *	2/2009	Jalet	D3/294
D623,188 S	9/2010	Son et al.	
D623,189 S	9/2010	Son et al.	
D689,845 S	9/2013	Nylen	
D700,136 S	2/2014	Morris et al.	
D734,384 S	7/2015	Han et al.	
D735,132 S *	7/2015	Donohue, II	D13/108
D740,018 S *	10/2015	Zhang	D3/201
D776,270 S *	1/2017	Wilcox	D24/127
D780,137 S	2/2017	Tallqvist	
D841,580 S *	2/2019	Bao	D13/108

D878,048 S *	3/2020	Wang	D3/294
D886,454 S *	6/2020	Williamson	D3/294
10,701,472 B1 *	6/2020	Xu	H02J 7/0044
D892,045 S *	8/2020	Zhang	D13/108
D906,238 S *	12/2020	Zhang	D13/108
D908,084 S *	1/2021	He	D13/108
2020/0304899 A1 *	9/2020	Cramer	A45C 11/00

(Continued)

OTHER PUBLICATIONS

“Microsoft Surface Earbuds”. Found online Mar. 12, 2021 at theverge.com. Reference dated Oct. 9, 2019. Retrieved from <https://www.theverge.com/2019/10/2/20895278/microsoft-surface-earbuds-hands-on-wireless-sound-office-price-specs-features>. (Year: 2019).*

(Continued)

Primary Examiner — Kendra Leslie Hamilton

Assistant Examiner — Amanda Christensen

(74) *Attorney, Agent, or Firm* — Banner & Witcoff, Ltd.

(57) **CLAIM**

The ornamental design for a combination case and charger for earphones, as shown and described.

DESCRIPTION

FIG. 1 is a top, front, right side perspective view of a combination case and charger for earphones showing our new design;

FIG. 2 is a front elevation view thereof;

FIG. 3 is a rear elevation view thereof;

FIG. 4 is a right side elevation view thereof;

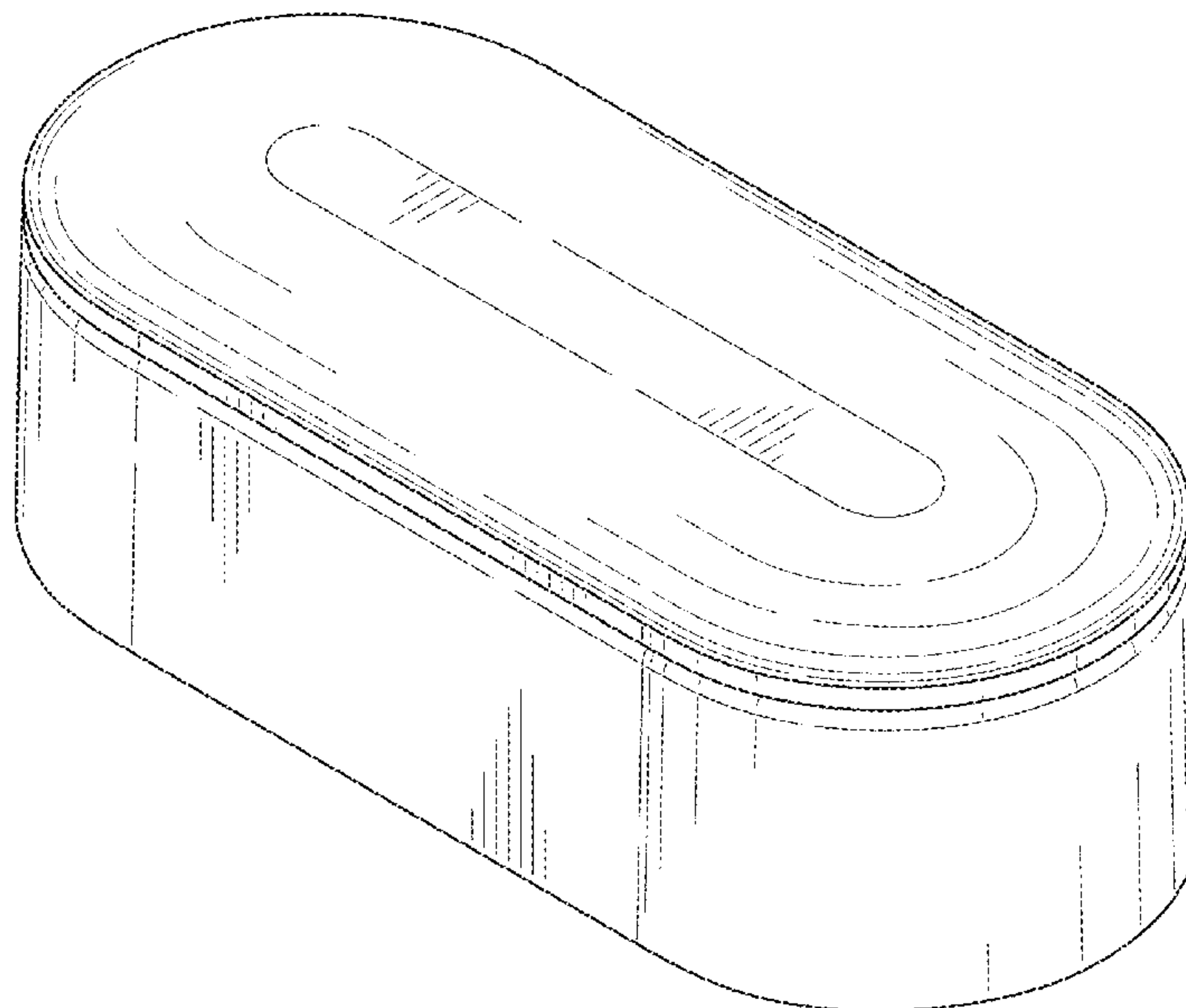
FIG. 5 is a left side elevation view thereof;

FIG. 6 is a top plan view thereof; and,

FIG. 7 is a bottom plan view thereof.

The broken lines depict portions of the combination case and charger for earphones that form no part of the claimed design.

1 Claim, 4 Drawing Sheets



(56)

References Cited

U.S. PATENT DOCUMENTS

2020/0321792 A1* 10/2020 Rhee H04R 1/1025

OTHER PUBLICATIONS

“BlitzWolf Wireless Earbuds”. Found online Mar. 12, 2021 the-gadgeteer.com. Reference dated Aug. 7, 2019. Retrieved from <https://the-gadgeteer.com/2019/08/27/blitzwolf-bw-fye7-true-wireless-earbuds-review/>. (Year: 2019).*

“JLab Audio Jbuds”. Found online Dec. 4, 2020 at amazon.com. Reference dated Sep. 18, 2018. Retrieved from https://www.amazon.com/Wireless-Signature-Bluetooth-Earbuds-Charging/dp/B07HGL3J31/ref=sr_1_3. (Year: 2018).*

* cited by examiner

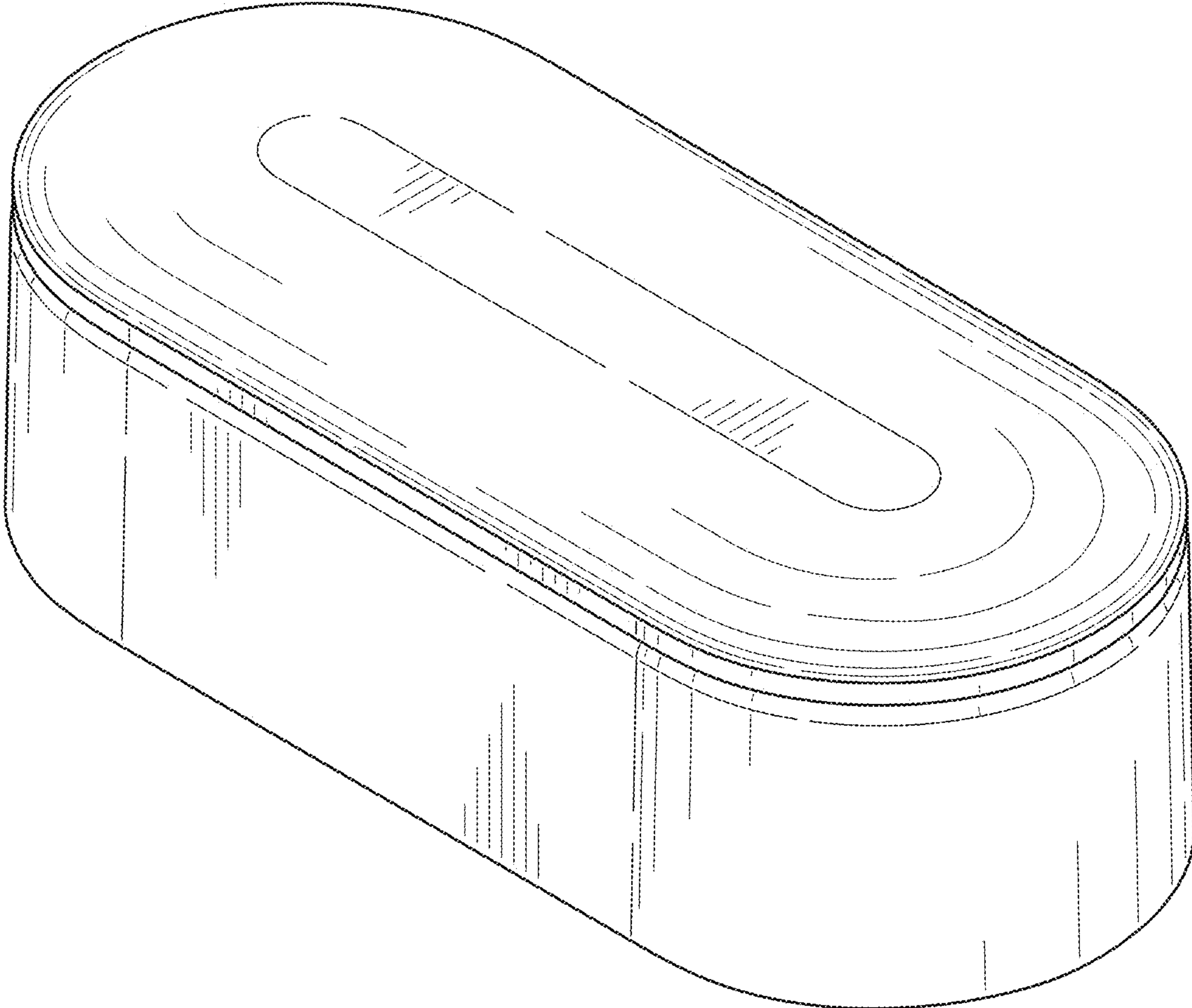


FIG. 1

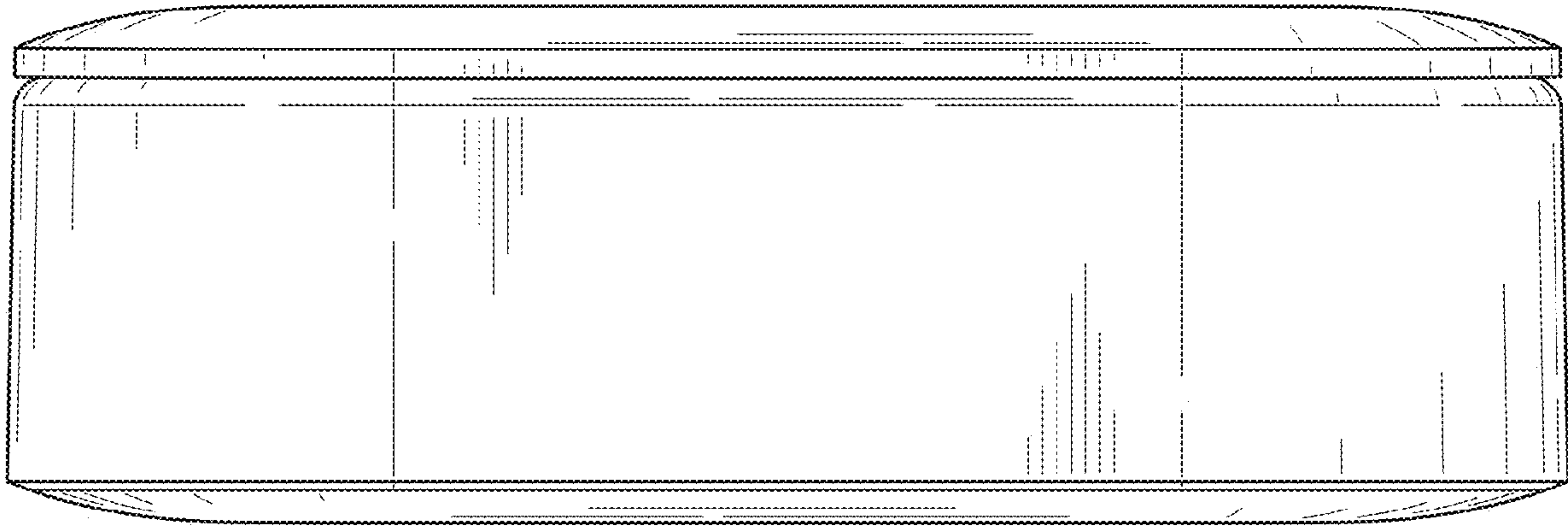


FIG. 2

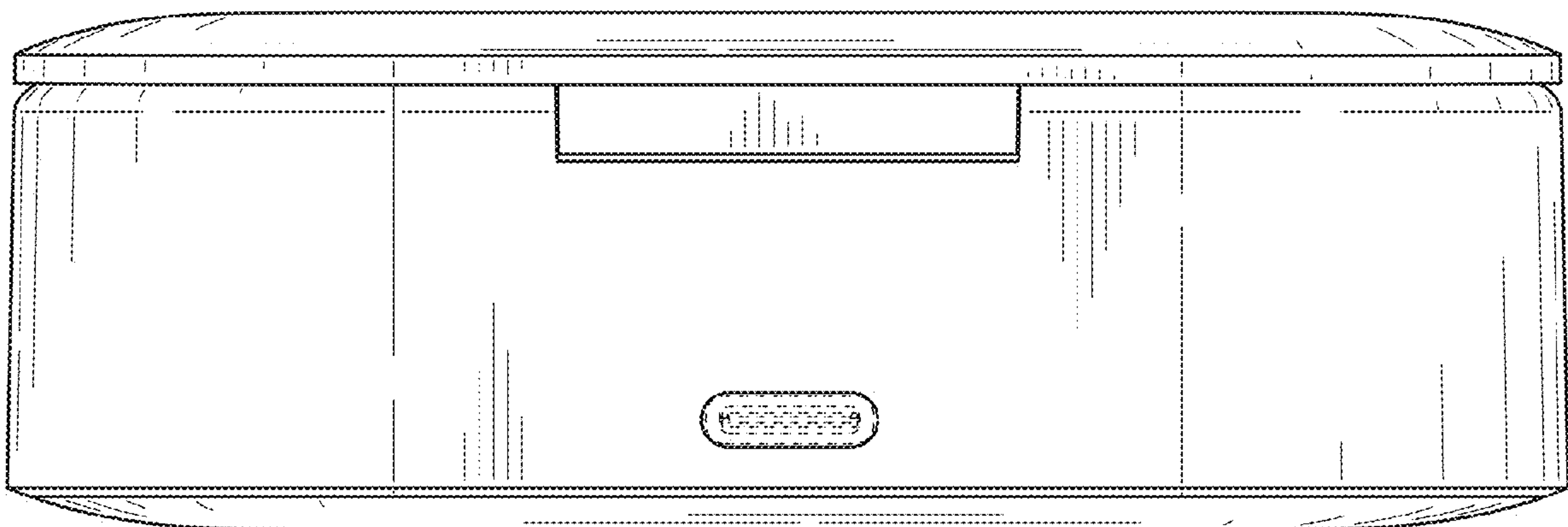


FIG. 3

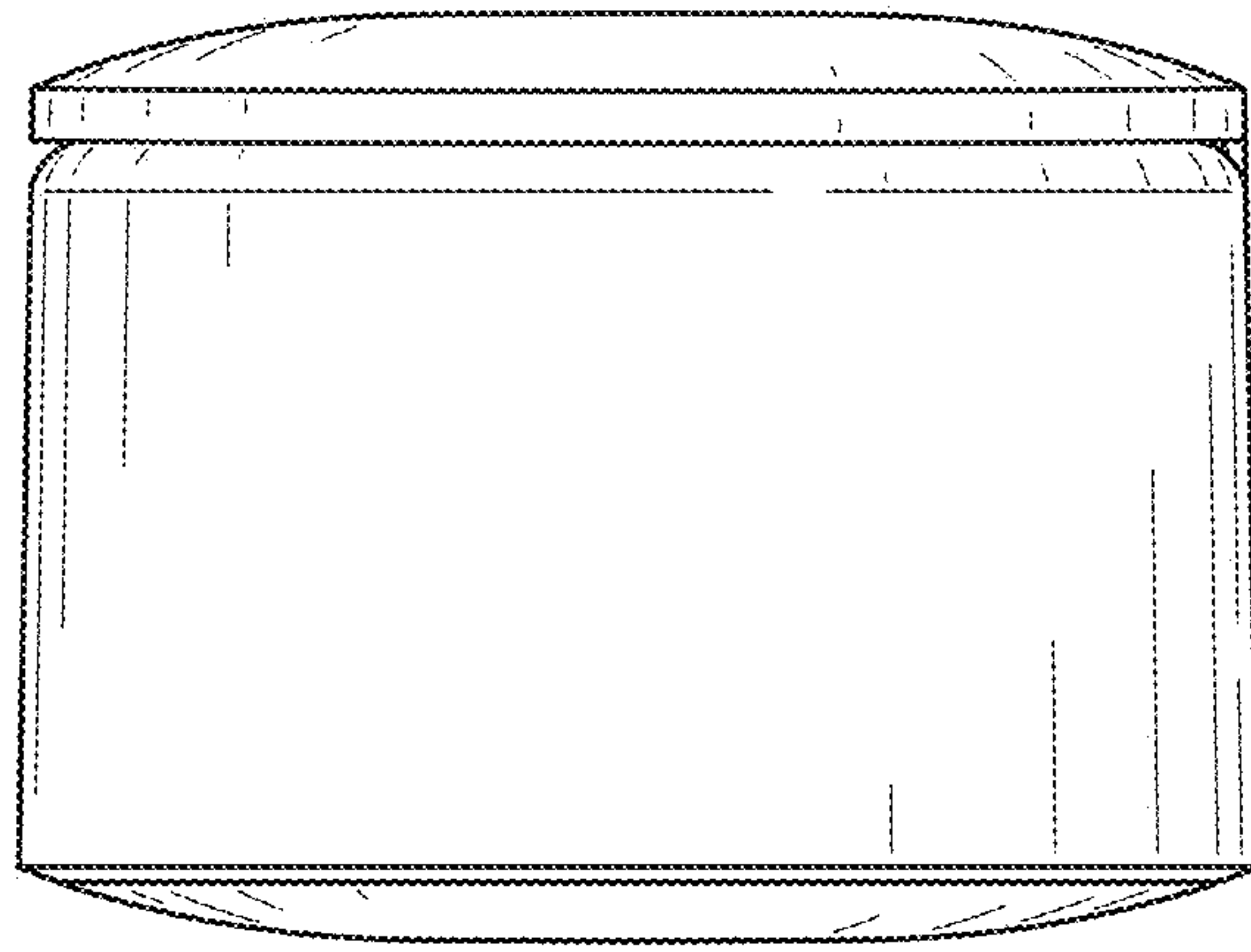


FIG. 4

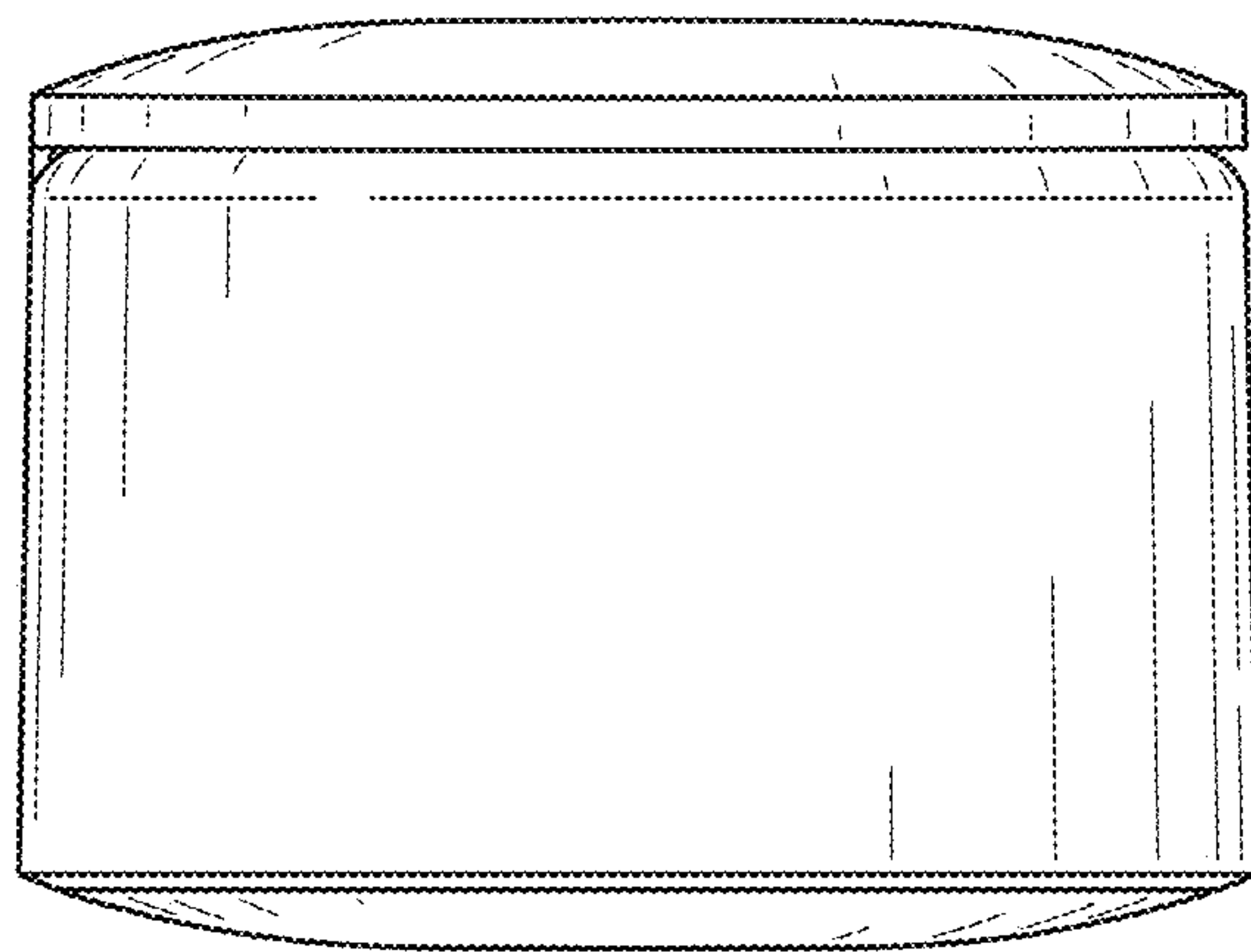


FIG. 5

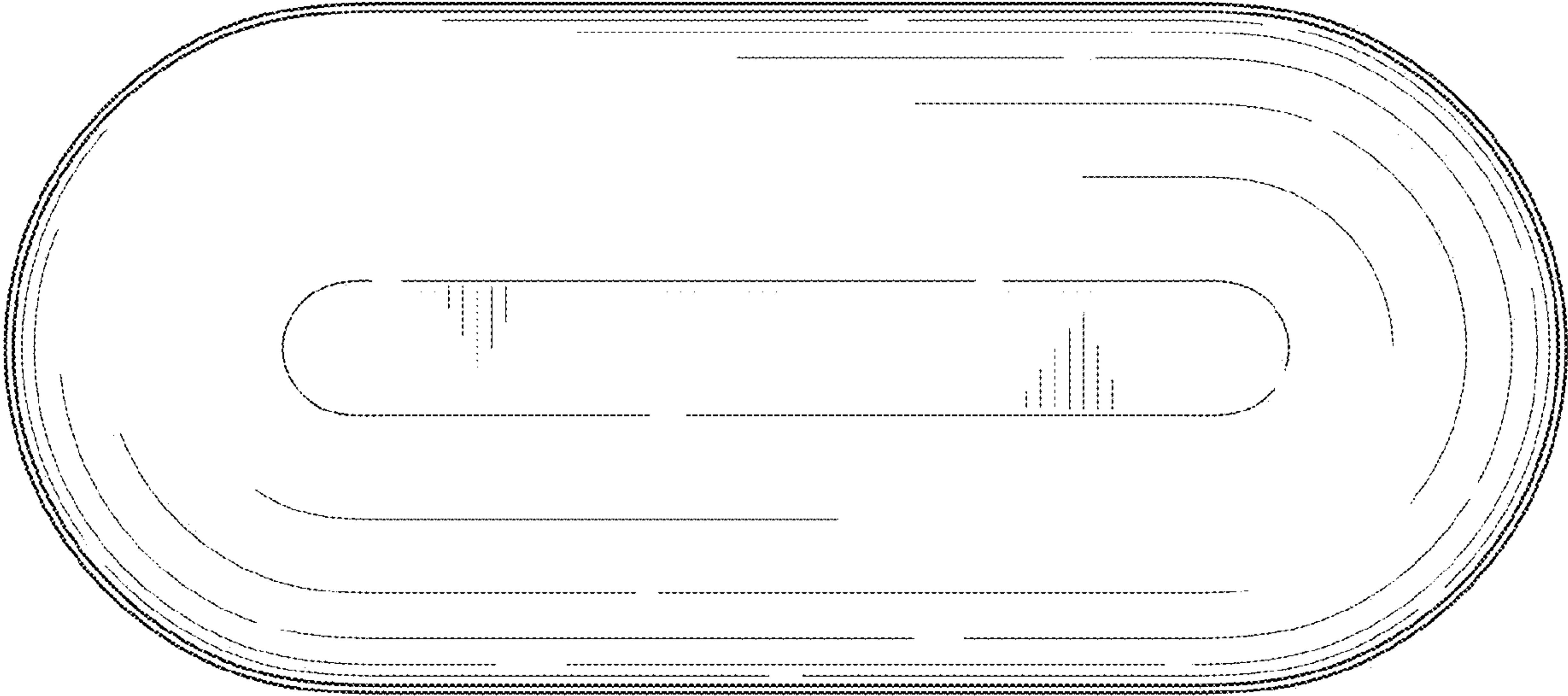


FIG. 6

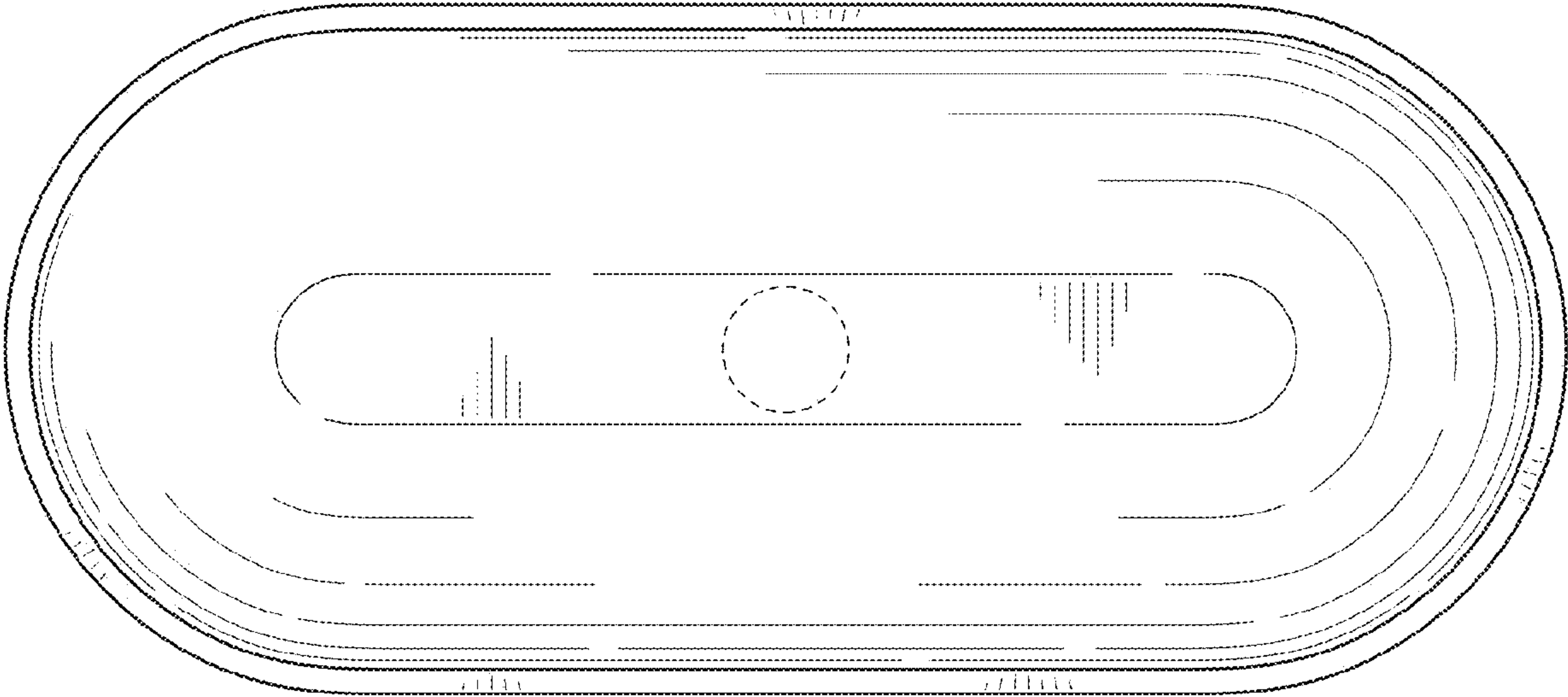


FIG. 7