



US00D932424S

(12) **United States Design Patent**
Zhao

(10) **Patent No.:** **US D932,424 S**

(45) **Date of Patent:** **** Oct. 5, 2021**

(54) **BATTERY CASE**

(71) Applicant: **HongChun Zhao**, ShenZhen (CN)

(72) Inventor: **HongChun Zhao**, ShenZhen (CN)

(**) Term: **15 Years**

(21) Appl. No.: **29/760,177**

(22) Filed: **Nov. 30, 2020**

(30) **Foreign Application Priority Data**

Nov. 19, 2020 (CN) 202030702296.8

(51) **LOC (13) Cl.** **13-02**

(52) **U.S. Cl.**
USPC **D13/103**

(58) **Field of Classification Search**
USPC D13/102–106, 110, 118–119, 184
CPC . Y02E 60/10; H01M 2220/30; H01M 50/209;
H01M 50/213; H01M 50/183; H01M
50/10; H01M 50/529; H01M 50/531;
H01M 10/0525; H01M 10/0436; H01M
10/052; H01M 10/0565; H01M 10/30;
H01M 10/345; H01M 10/425; H01M
2010/0495; B25F 5/02; B25F 5/00; A61B
2017/00734

See application file for complete search history.

(56) **References Cited**

U.S. PATENT DOCUMENTS

D326,726 S * 6/1992 Swain, Jr. D26/51
D357,087 S * 4/1995 Young D26/60
D367,123 S * 2/1996 Blye D26/40
7,367,698 B2 * 5/2008 Miller F21L 14/026
362/220
D588,291 S * 3/2009 VanderWoude D26/37
D651,731 S * 1/2012 Xu D26/37

D688,408 S * 8/2013 Wung D26/88
D702,866 S * 4/2014 Blincoe D26/63
D740,989 S * 10/2015 Vasquez D26/63
D757,646 S 5/2016 Pearson
D768,897 S * 10/2016 Cooper D26/37
D848,946 S 5/2019 Xie
D850,683 S 6/2019 Shelton
D851,584 S 6/2019 Luke et al.
D857,959 S 8/2019 Yu
D860,943 S 9/2019 Xie
D866,387 S * 11/2019 Pan D11/121
D884,603 S 5/2020 Xie
D884,604 S 5/2020 Xie
D885,635 S 5/2020 Cao
D900,735 S * 11/2020 He D13/108
D916,009 S * 4/2021 He D13/103

* cited by examiner

Primary Examiner — Nathaniel D. Buckner

(74) *Attorney, Agent, or Firm* — iPA & iPM

(57) **CLAIM**

The ornamental design for a battery case, as shown and described.

DESCRIPTION

FIG. 1 is a first perspective view from above of a battery case, with a hanger in an upright position, showing my new design;

FIG. 2 is a left side view thereof;

FIG. 3 is a right side view thereof;

FIG. 4 is a front view thereof;

FIG. 5 is a back view thereof;

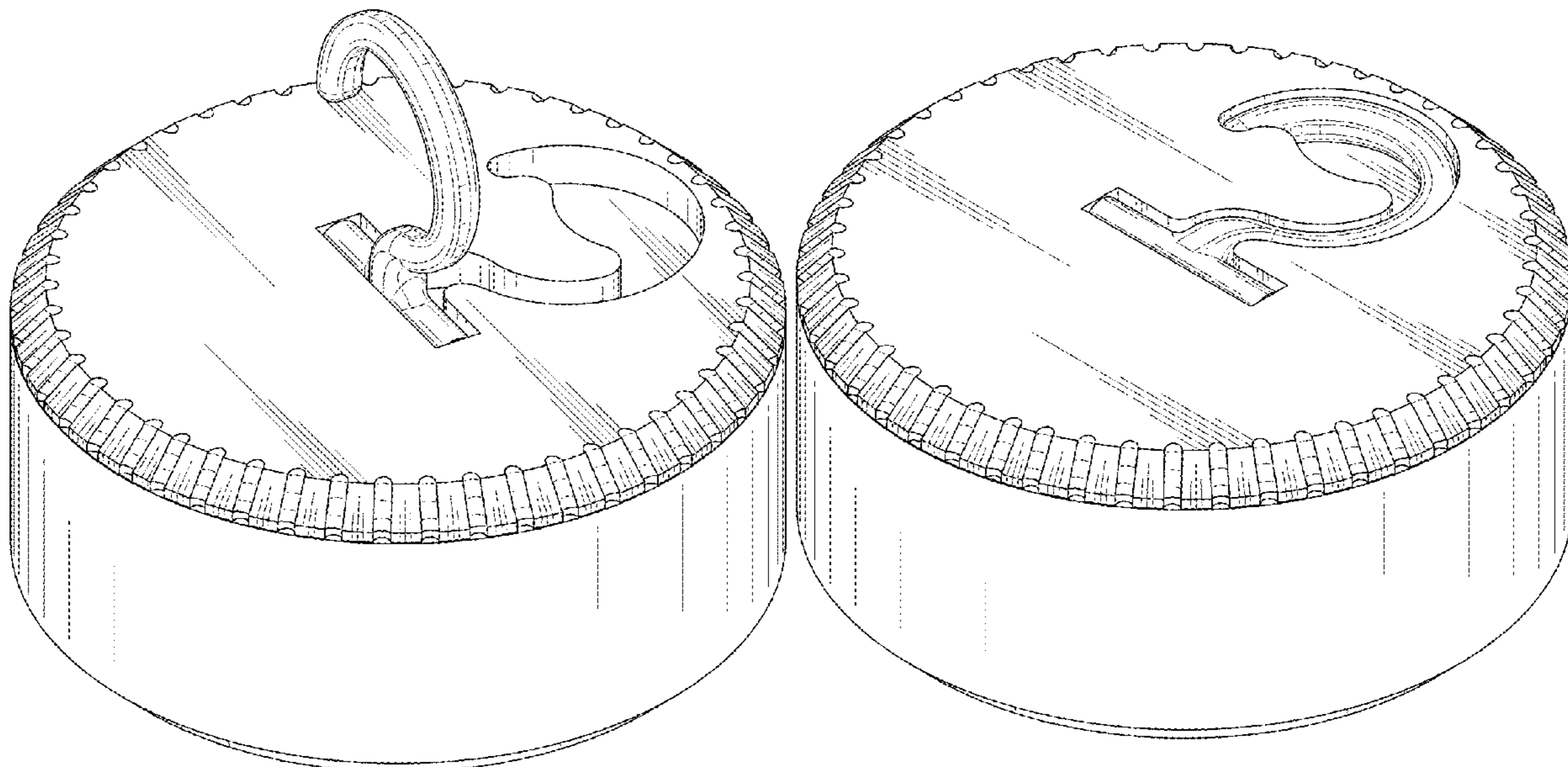
FIG. 6 is a top view thereof;

FIG. 7 is a bottom view thereof;

FIG. 8 is a perspective bottom view thereof; and,

FIG. 9 is a perspective view of the battery case with the hanger in a folded position.

1 Claim, 9 Drawing Sheets



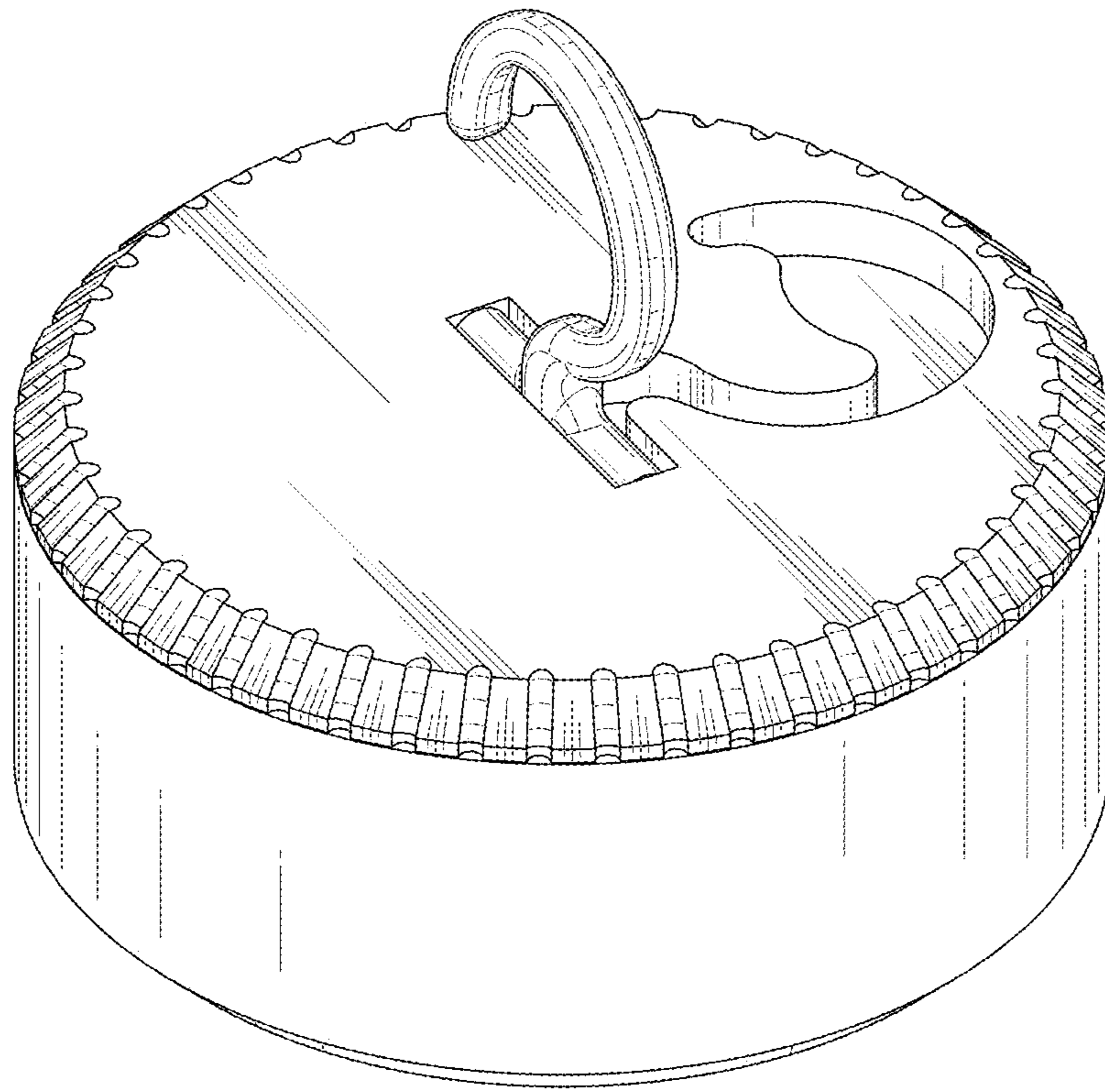


FIG.1

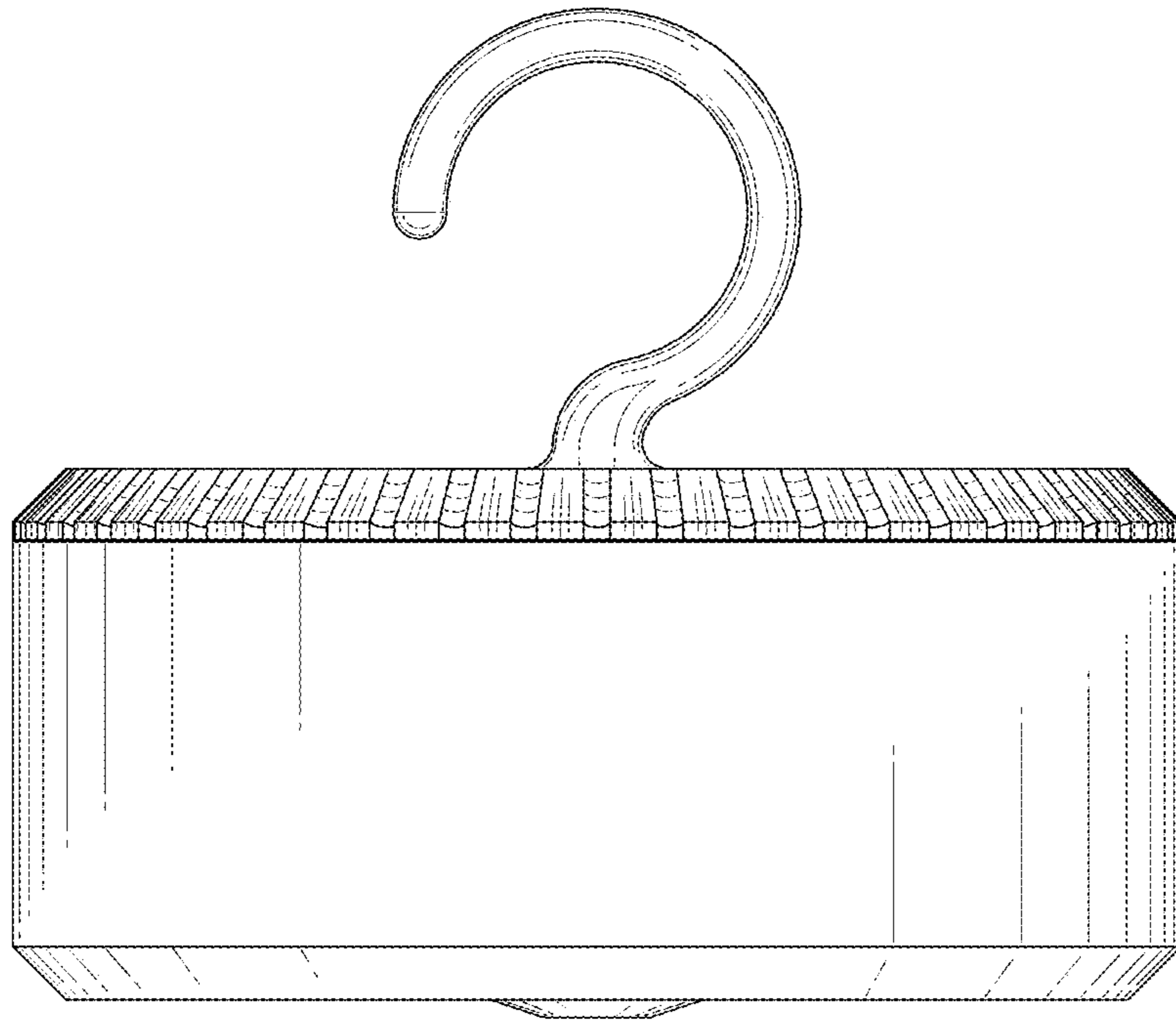


FIG.2

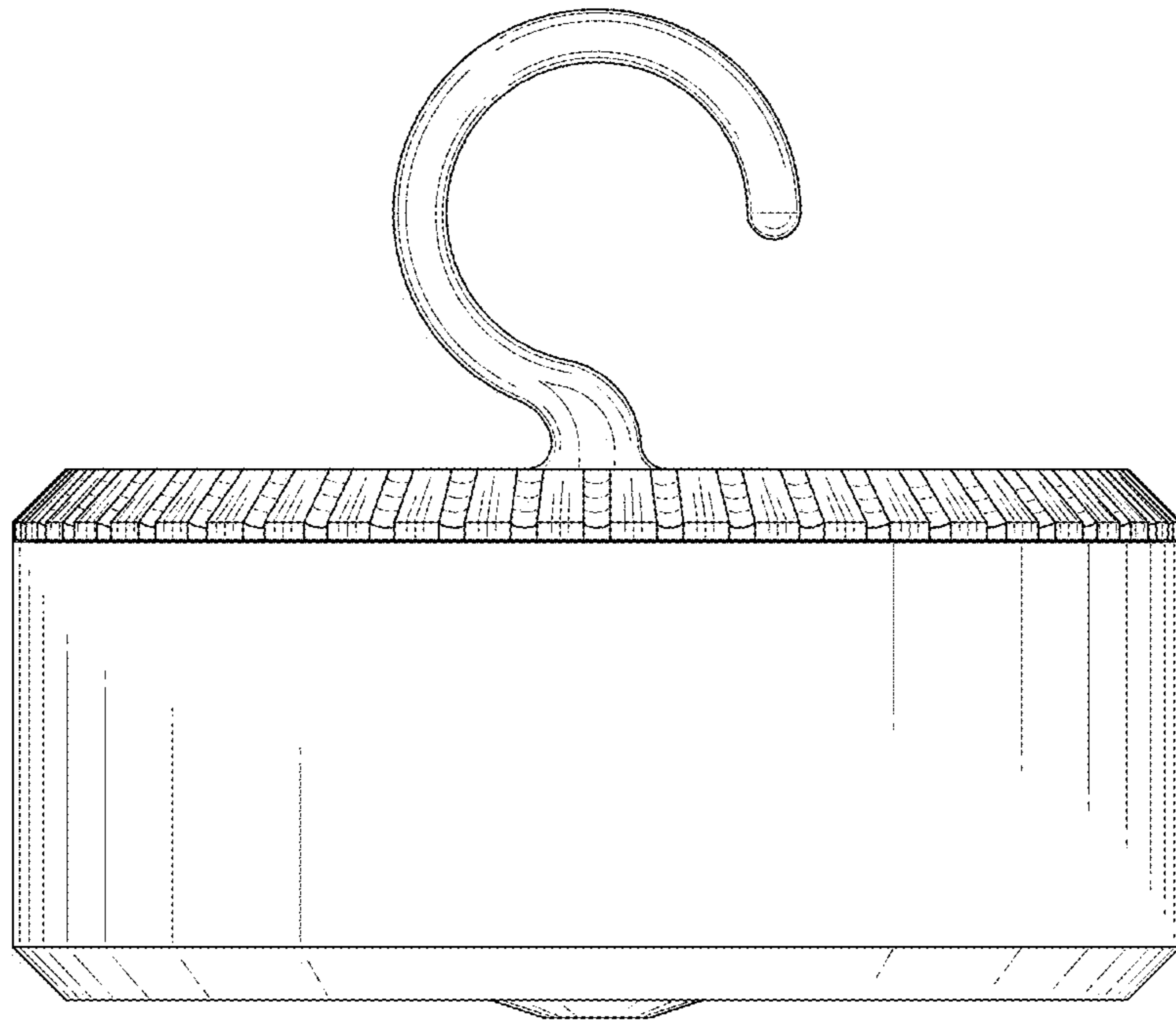


FIG. 3

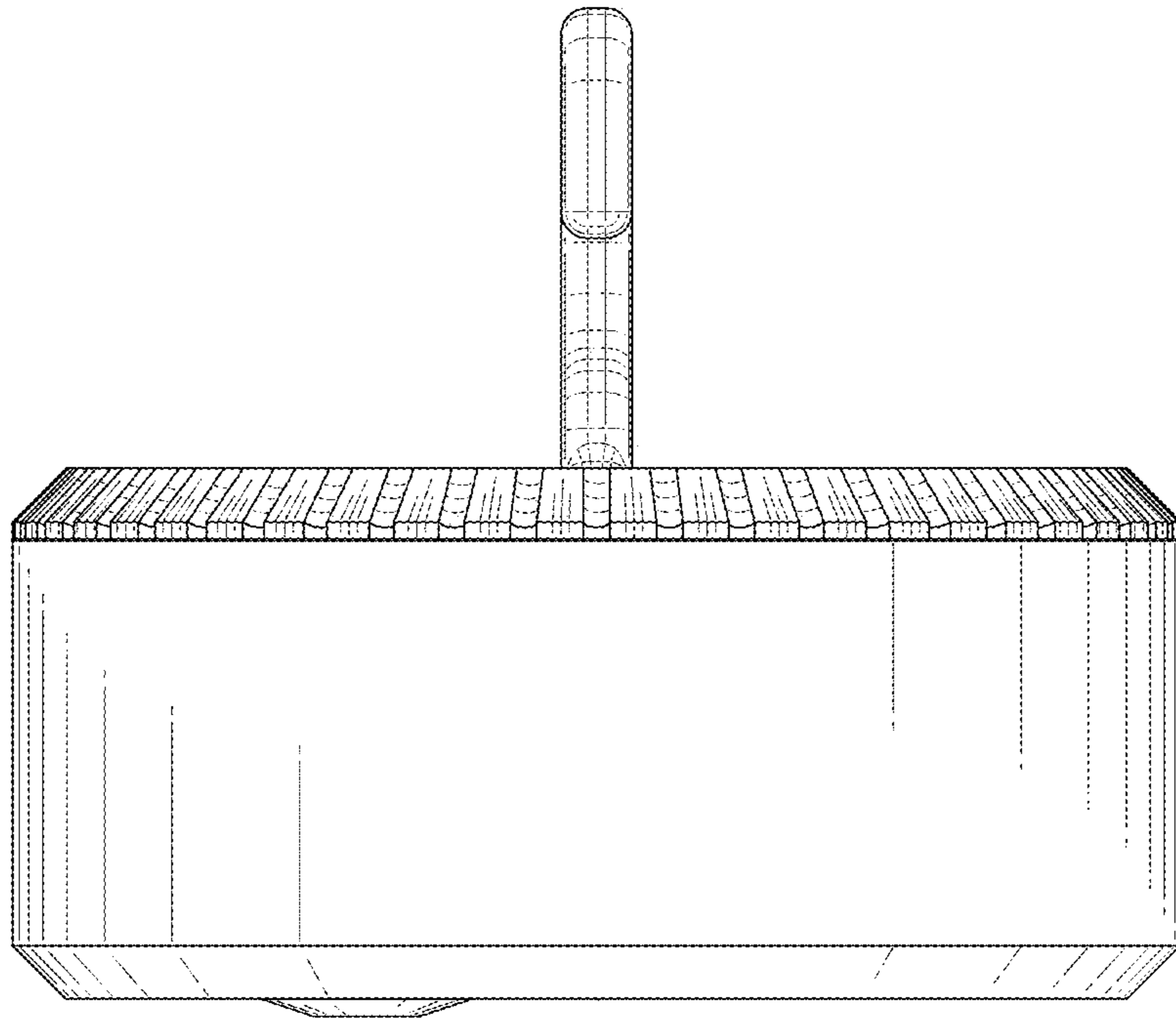


FIG.4

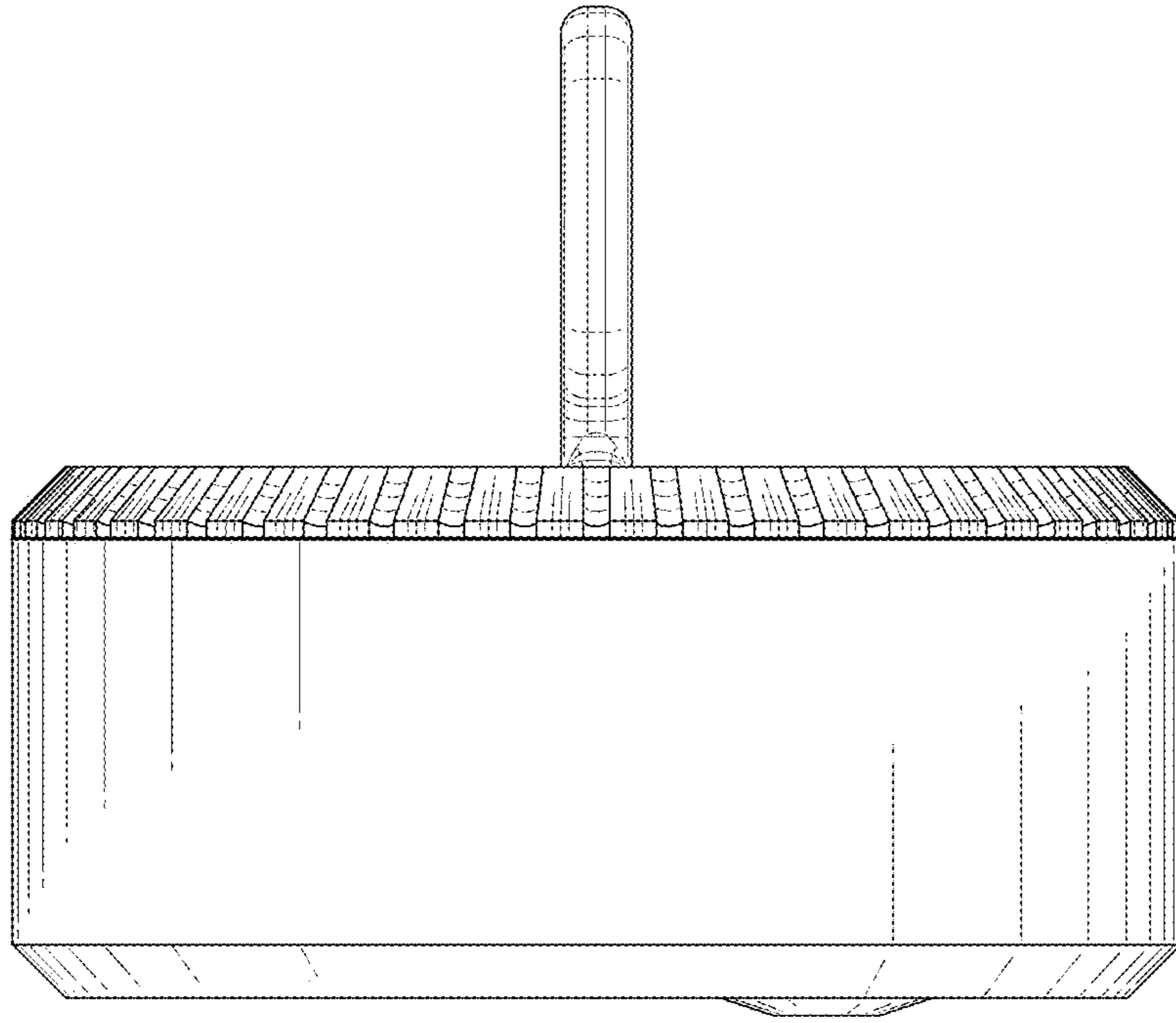


FIG.5

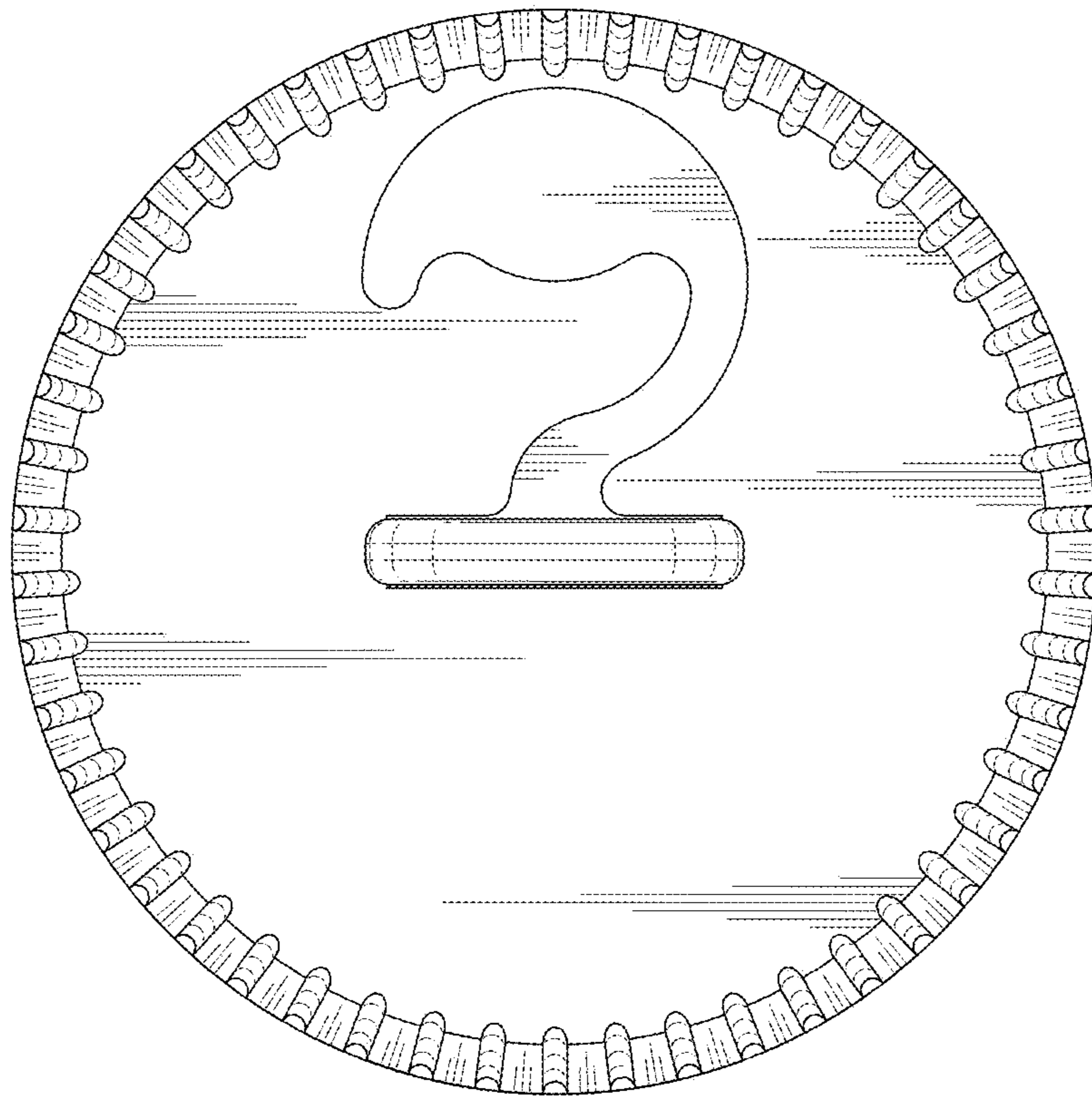


FIG.6

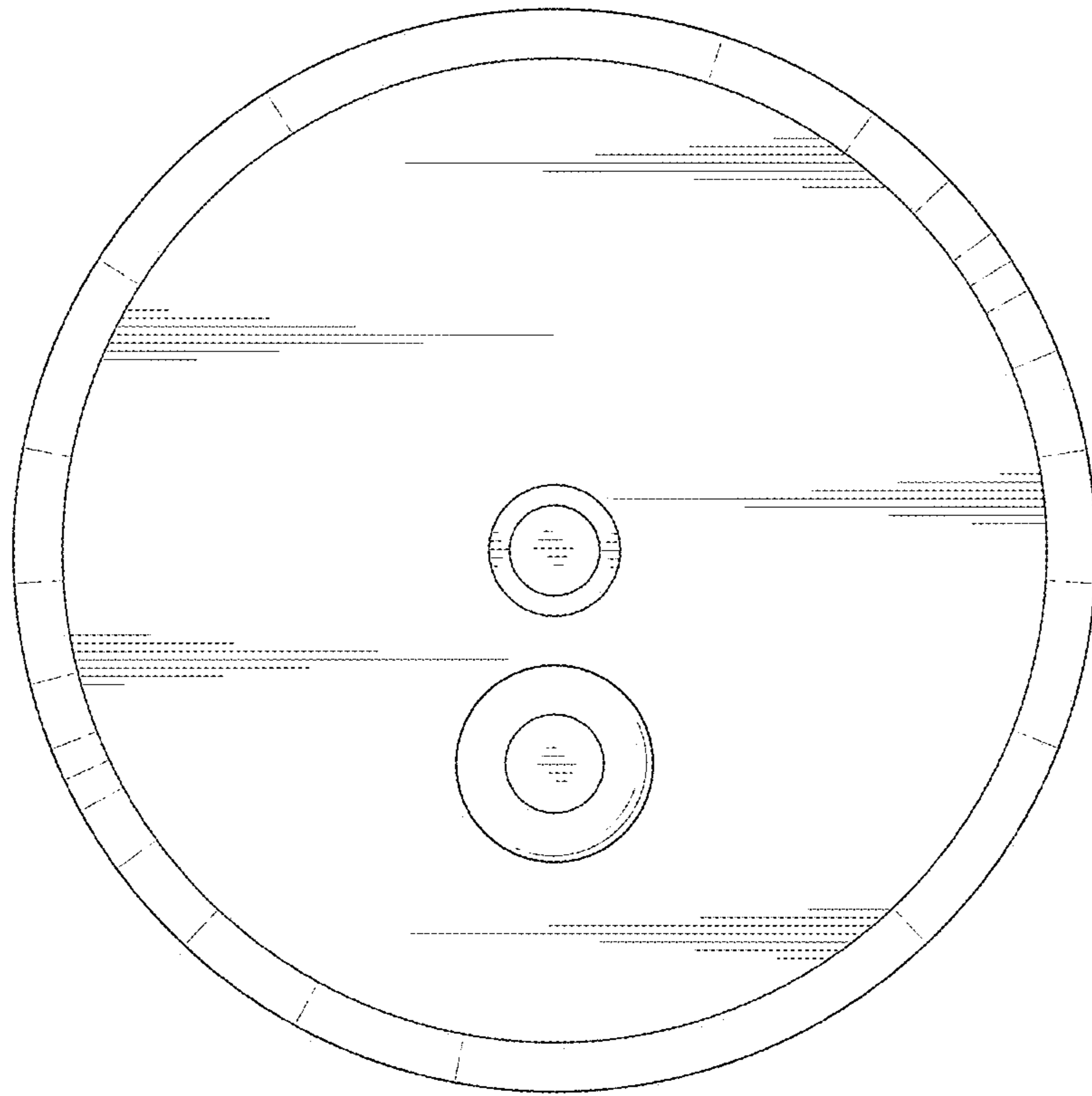


FIG.7

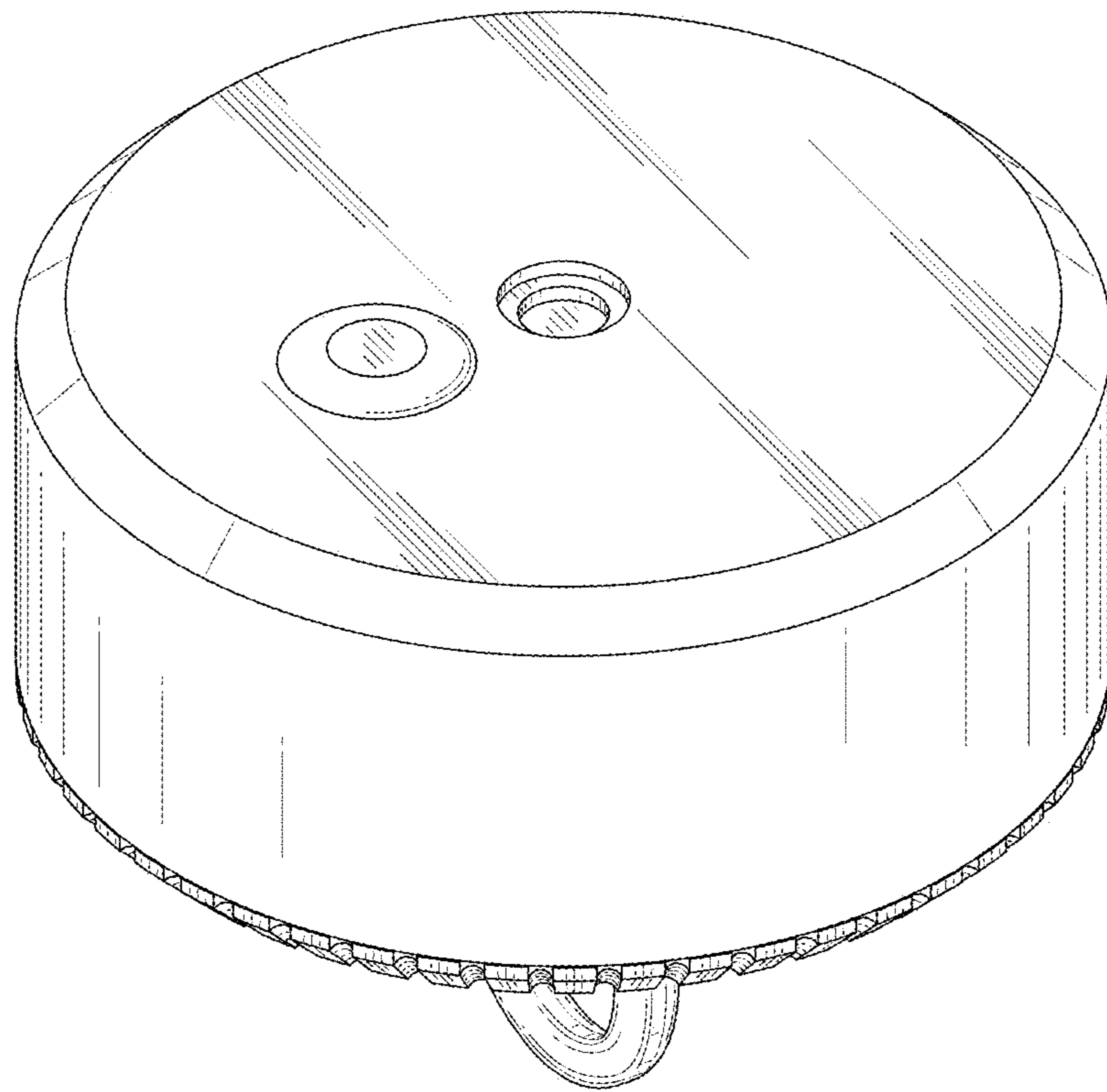


FIG.8

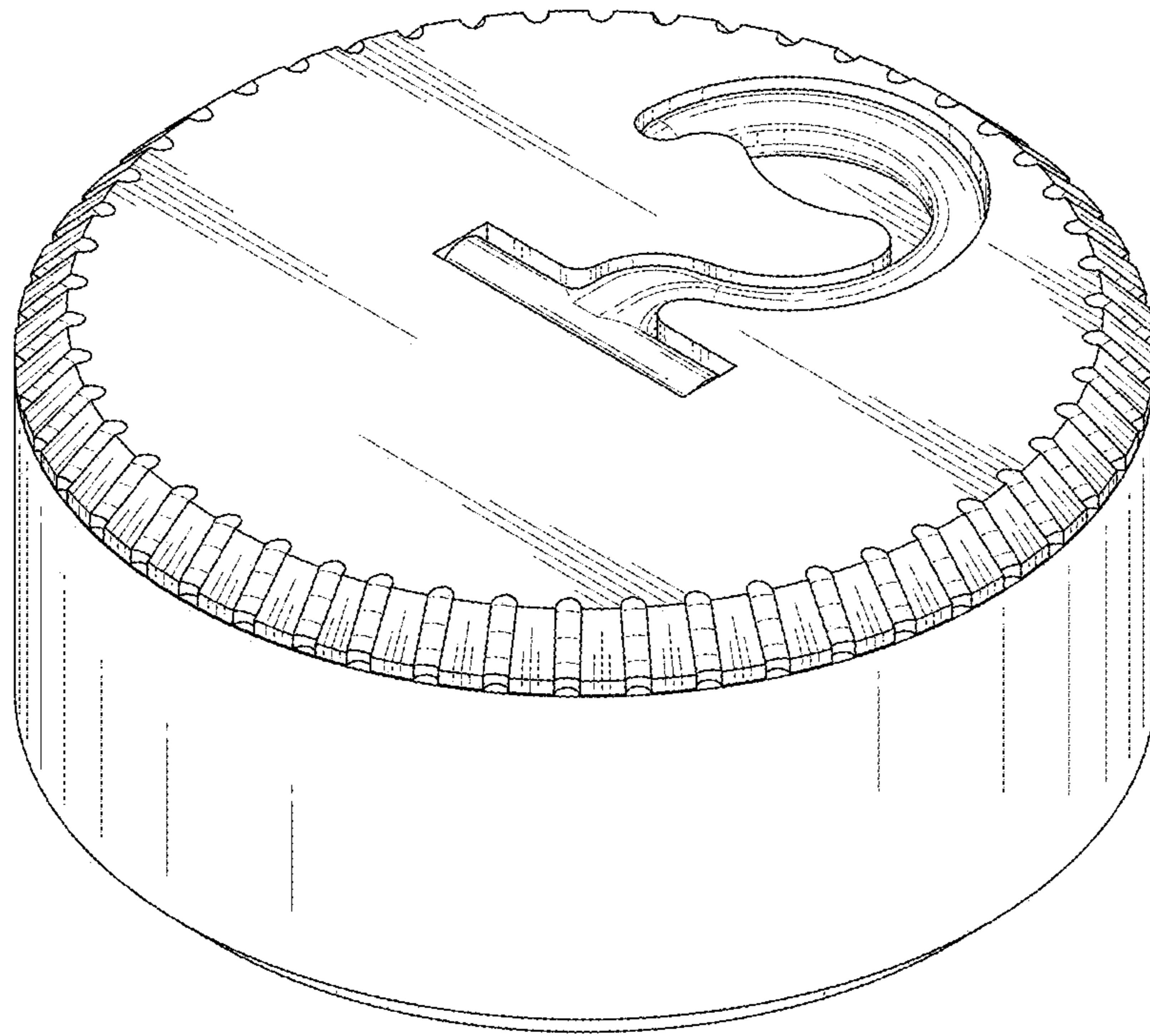


FIG.9