



US00D932417S

(12) **United States Design Patent** (10) **Patent No.:** **US D932,417 S**  
**Voss** (45) **Date of Patent:** **\*\* Oct. 5, 2021**

(54) **FRONT PANEL WITH AN INTEGRATED UPPER WINDOW FOR A VEHICLE CANOPY**

(71) Applicant: **Rock Solid Industries International (Pty) Ltd**, Pietermaritzburgh (ZA)

(72) Inventor: **Michael Voss**, Pinetown (ZA)

(73) Assignee: **ROCK SOLID INDUSTRIES INTERNATIONAL (PTY) LTD**, Pietermaritzburgh (ZA)

(\*\*) Term: **15 Years**

(21) Appl. No.: **29/707,702**

(22) Filed: **Sep. 30, 2019**

(51) **LOC (13) Cl.** ..... **12-16**

(52) **U.S. Cl.**  
USPC ..... **D12/401**

(58) **Field of Classification Search**  
USPC ..... D12/93, 96, 98, 99, 100, 101, 114, 181, D12/183, 190, 196, 223, 400, 401, 403,  
(Continued)

(56) **References Cited**

**U.S. PATENT DOCUMENTS**

2,032,630 A \* 3/1936 Northup ..... B60J 1/04  
296/92  
D206,530 S \* 12/1966 Zell ..... D12/183  
(Continued)

**OTHER PUBLICATIONS**

SmartCap EVO, www.rsismartcap.com [online]. Published on or before Sep. 23, 2020, [retrieved on Sep. 23, 2020], Retrieved from the Internet: <URL:https://www.rsismartcap.com/products/smartcap-evo> (Year: 2020).\*

(Continued)

*Primary Examiner* — Christian P. McLean

*Assistant Examiner* — Adam C Mager

(74) *Attorney, Agent, or Firm* — Alston & Bird LLP

(57) **CLAIM**

I claim the ornamental design for a front panel with an integrated upper window for a vehicle canopy, as shown and described.

**DESCRIPTION**

FIG. 1 is a perspective front view of an embodiment of a front panel with an integrated upper window for a vehicle canopy, showing my new design;

FIG. 2 is a perspective rear view thereof;

FIG. 3 is a front view thereof;

FIG. 4 is a perspective front view thereof in a position of use in a vehicle canopy;

FIG. 5 is another perspective view thereof in a position of use in a vehicle canopy, with the integrated upper window being shown in an exploded position;

FIG. 6 is a perspective front view of a second embodiment of a front panel with an integrated upper window for a vehicle canopy, showing my new design;

FIG. 7 is a perspective rear view thereof;

FIG. 8 is a front view thereof;

FIG. 9 is a perspective front view thereof in a position of use in a vehicle canopy;

FIG. 10 is another perspective view thereof in a position of use in a vehicle canopy, with the integrated upper window being shown in an exploded position;

FIG. 11 is a perspective front view of a third embodiment of a front panel with an integrated upper window for a vehicle canopy, showing my new design;

FIG. 12 is a perspective rear view thereof;

FIG. 13 is a front view thereof;

FIG. 14 is a perspective front view thereof in a position of use in a vehicle canopy;

FIG. 15 is another perspective view thereof in a position of use in a vehicle canopy, with the integrated upper window being shown in an exploded position;

FIG. 16 is a perspective front view of a fourth embodiment of a front panel with an integrated upper window for a vehicle canopy, showing my new design;

FIG. 17 is a perspective rear view thereof;

FIG. 18 is a front view thereof;

(Continued)

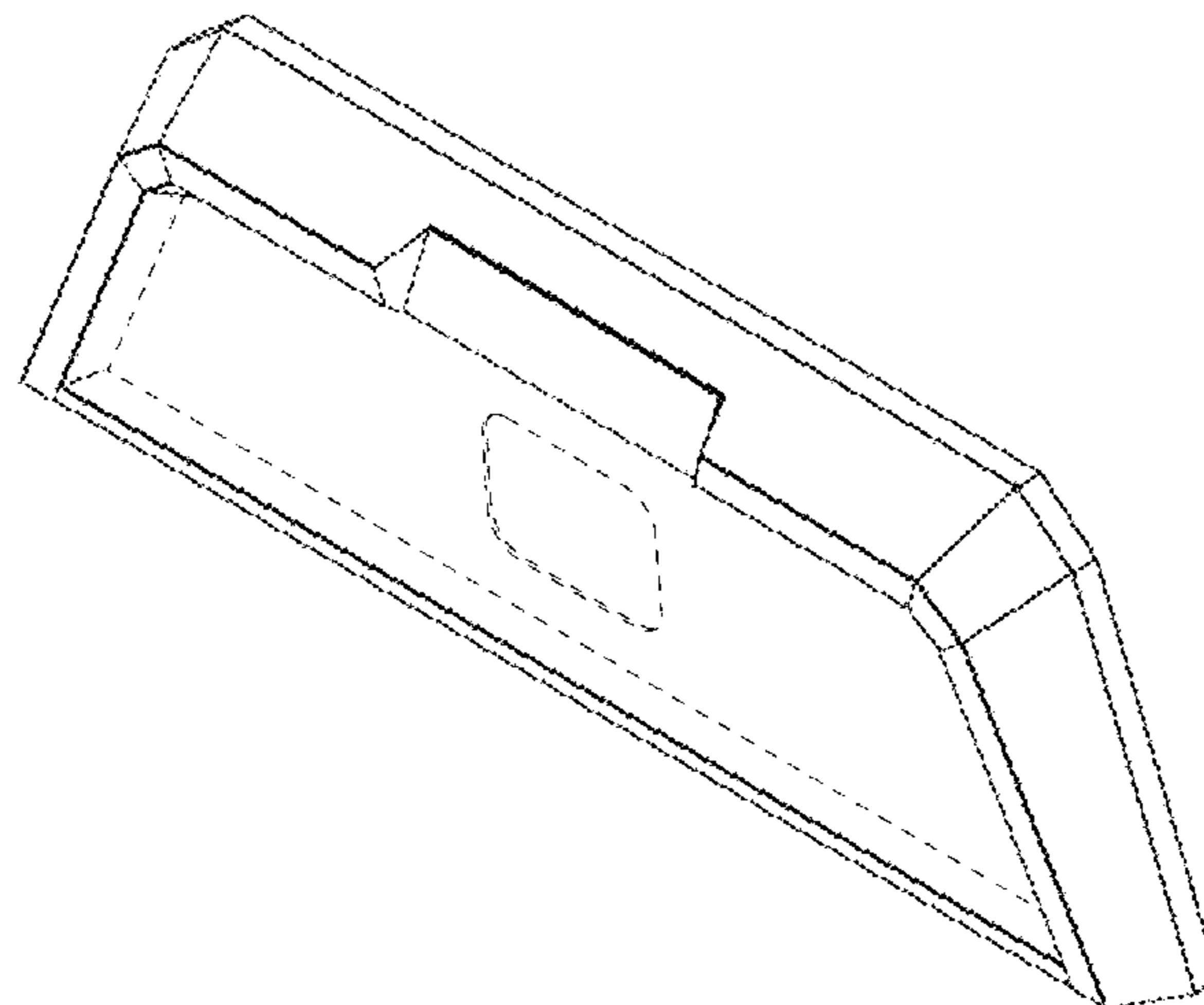


FIG. 19 is a perspective front view thereof in a position of use in a vehicle canopy; and,  
 FIG. 20 is another perspective view thereof in a position of use in a vehicle canopy, with the integrated upper window being shown in an exploded position.  
 The broken lines illustrate portions of the front panel with an integrated upper window for a vehicle canopy and environmental structure that form no part of the claimed design.

**1 Claim, 20 Drawing Sheets**

(58) **Field of Classification Search**

USPC ..... D12/404, 406, 407, 408, 409, 410, 412, D12/413, 414, 414.1  
 CPC .... B62D 35/001; B62D 35/002; B62D 25/06; B62D 29/045; B62D 65/14; B60P 7/02; B60P 7/14; B60J 7/20  
 See application file for complete search history.

(56) **References Cited**

U.S. PATENT DOCUMENTS

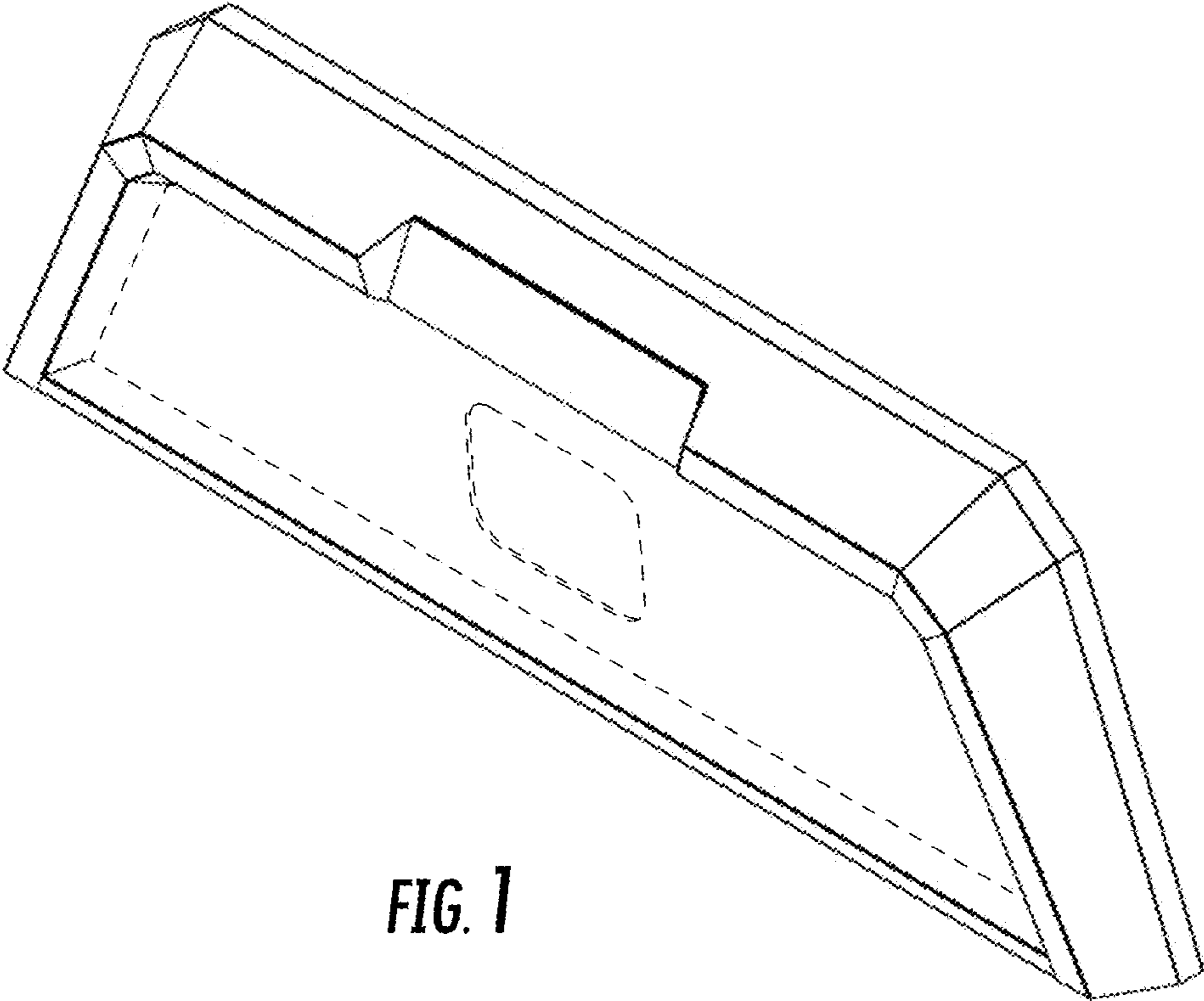
D211,017	S	*	5/1968	Willison	.....	D12/404
D212,744	S	*	11/1968	Keurst	.....	D12/404
D232,822	S	*	9/1974	Knoss et al.	.....	D12/404
D271,757	S	*	12/1983	Miller	.....	D12/404
D290,945	S	*	7/1987	Geisler	.....	D12/404
D293,094	S	*	12/1987	Brown	.....	D12/404
D298,818	S	*	12/1988	Silliker	.....	D12/404
D299,223	S	*	1/1989	Galvin	.....	D12/404
D310,806	S	*	9/1990	Hertzberg	.....	D12/403
5,072,984	A	*	12/1991	Jackson	.....	B60J 1/20 296/56
D324,015	S	*	2/1992	Quiniones	.....	D12/404
D324,196	S	*	2/1992	Muth	.....	D12/404
D325,551	S	*	4/1992	Quiniones	.....	D12/404
D326,441	S	*	5/1992	Rogers	.....	D12/404
D328,049	S	*	7/1992	Sturtevant	.....	D12/404
D328,062	S	*	7/1992	Burgess	.....	D12/404
D329,837	S	*	9/1992	Rogers	.....	D12/404
D330,182	S	*	10/1992	Jones	.....	D12/404
D332,934	S	*	2/1993	Brown	.....	D12/181
5,183,310	A	*	2/1993	Shaughnessy	.....	B62D 25/12 292/7
D335,116	S	*	4/1993	Reed	.....	D12/404
D383,432	S	*	9/1997	Starr	.....	D12/404
D388,049	S	*	12/1997	Reardon	.....	D12/403
D403,652	S	*	1/1999	Starr	.....	D12/403

D431,225	S	*	9/2000	Perlman	.....	D12/404
D438,168	S	*	2/2001	Schroeder	.....	D12/404
D444,445	S	*	7/2001	Schroeder	.....	D12/404
D464,606	S	*	10/2002	Soldatelli	.....	D12/404
D610,067	S	*	2/2010	Frankham	.....	D12/404
D623,583	S	*	9/2010	Girardi	.....	D12/404
9,150,087	B2	*	10/2015	Aho	.....	D12/404
10,252,603	B2	*	4/2019	Rohr	.....	D12/401
D857,609	S	*	8/2019	Rohr	.....	D12/401
D864,086	S	*	10/2019	Breece	.....	D12/404
D881,110	S	*	4/2020	Herndon	.....	D12/412
D924,120	S	*	7/2021	Voss	.....	D12/401
2021/0129643	A1	*	5/2021	Voss	.....	B60J 7/1607

OTHER PUBLICATIONS

EVO Sport\_RSI SmartCap, www.rsismartcanopy.com[online]. Published on or before Oct. 4, 2020, [retrieved on Oct. 4, 2020], Retrieved from the Internet: URL: <https://www.rsismartcanopy.com/evo-leisure> (Year: 2020).  
 RLD Design, www.riddesignusa.com [online]. Published on or before Oct. 4, 2020, [retrieved on Oct. 4, 2020], Retrieved from the Internet: URL: <https://www.riddesignusa.com/p/toyota/tacoma/tacoma-truck-cap-canopy/> (Year: 2020).  
 SmartCanopy—You Tube [online] [retrieved Jun. 26, 2019], Retrieved from the Internet: <<https://www.youtube.com/user/RockSolidIndustries1/videos>>. (undated) 3 pages.  
 RSI SMARTCANOPY®—Leisure Canopy—YouTube [online] [retrieved Jun. 26, 2019]. Retrieved from the Internet: [https://www.youtube.com/watch?v=Rrt\\_o41CQI](https://www.youtube.com/watch?v=Rrt_o41CQI)>. (dated Mar. 7, 2017) 1 page.  
 Leisure RSI SmartCanopy (Short Clip)—YouTube [online] [retrieved Jun. 26, 2019]. Retrieved from the Internet: <<https://www.youtube.com/watch?v=b2jhIw032E>>. (dated Jun. 14, 2017) 1 page.  
 RSi SMARTCANOPY® Stainless Steel Canopies & Accessories, 2018 Edition [online] [retrieved Jun. 26, 2019]. Retrieved from the Internet: <[https://smartcanopy.co.za/PDF/RSI-SMARTCANOPY-Brochure-April-2018-\(WEB\).pdf](https://smartcanopy.co.za/PDF/RSI-SMARTCANOPY-Brochure-April-2018-(WEB).pdf)>. (Apr. 2018) 8 pages.  
 RSi SMARTCANOPY® Less Standard, More Smart [online] [retrieved Jun. 26, 2019]. Retrieved from the Internet: <[https://smartcanopy.co.za/PDF/RSI-SMARTCANOPY-Sales-Brochure-2017-\(WEB\).pdf](https://smartcanopy.co.za/PDF/RSI-SMARTCANOPY-Sales-Brochure-2017-(WEB).pdf)>. (2017) 4 pages.  
 Design U.S. Appl. No. 29/681,185, filed Feb. 22, 2019; In re: Voss; entitled *Modular Flat Deck, Skirting, and Canopy for a Vehicle, Truck, or the Like*.  
 Design U.S. Appl. No. 29/681,188, filed Feb. 22, 2019; In re: Voss; entitled *Canopy for a Vehicle, Truck, or the Like*.  
 Design U.S. Appl. No. 29/681,255, filed Feb. 22, 2019; In re: Voss; entitled *Canopy for a Vehicle, Truck, or the Like and Components and Accessories Related Thereto*.

\* cited by examiner



**FIG. 1**

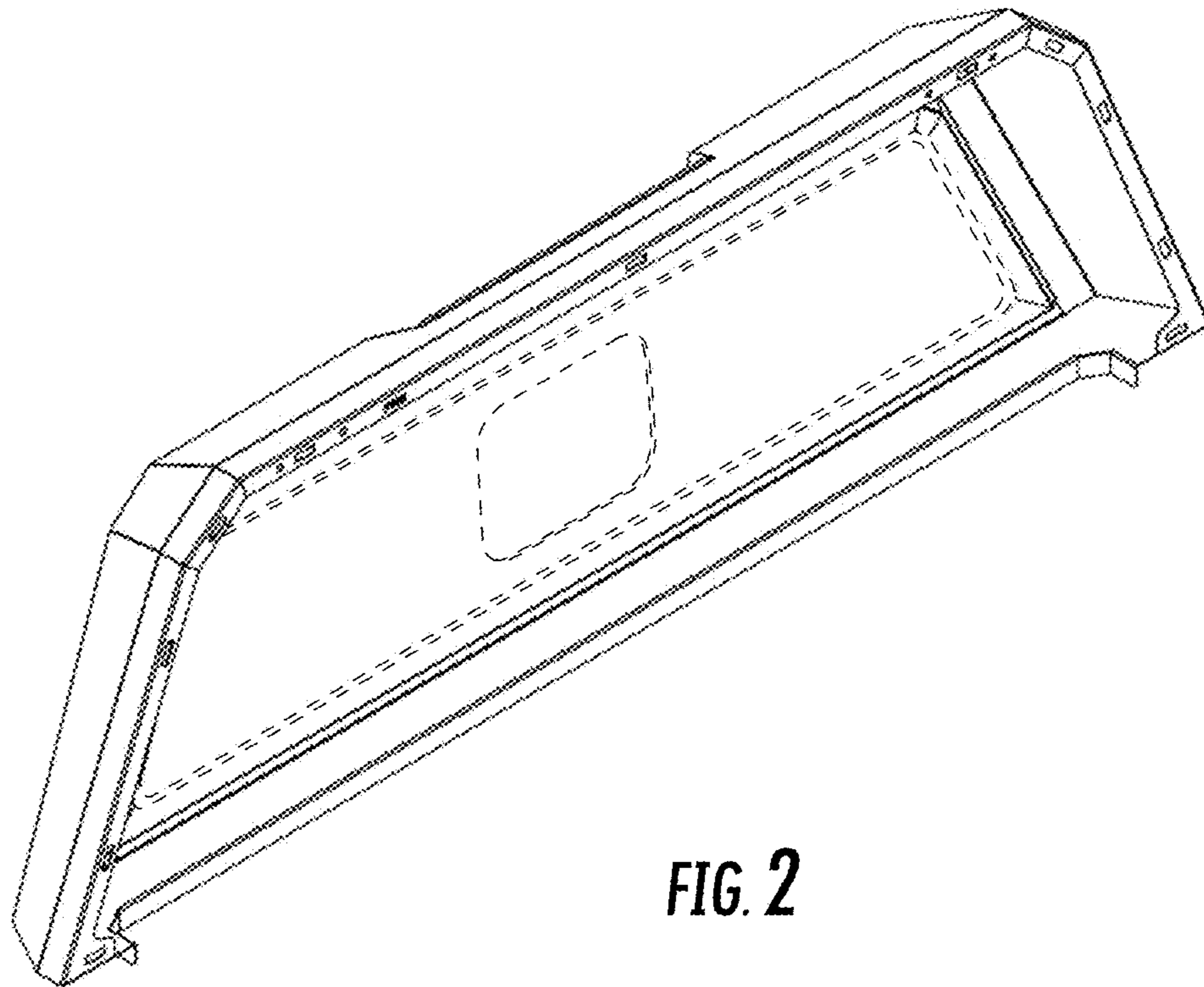
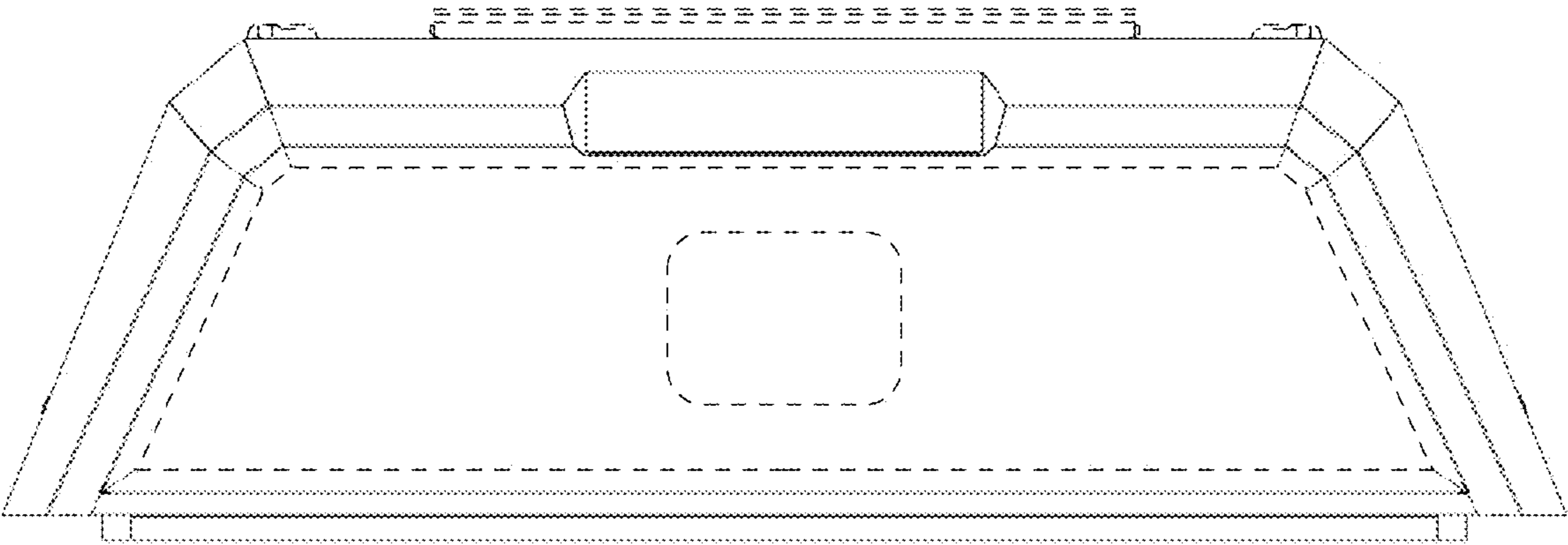


FIG. 2



**FIG. 3**

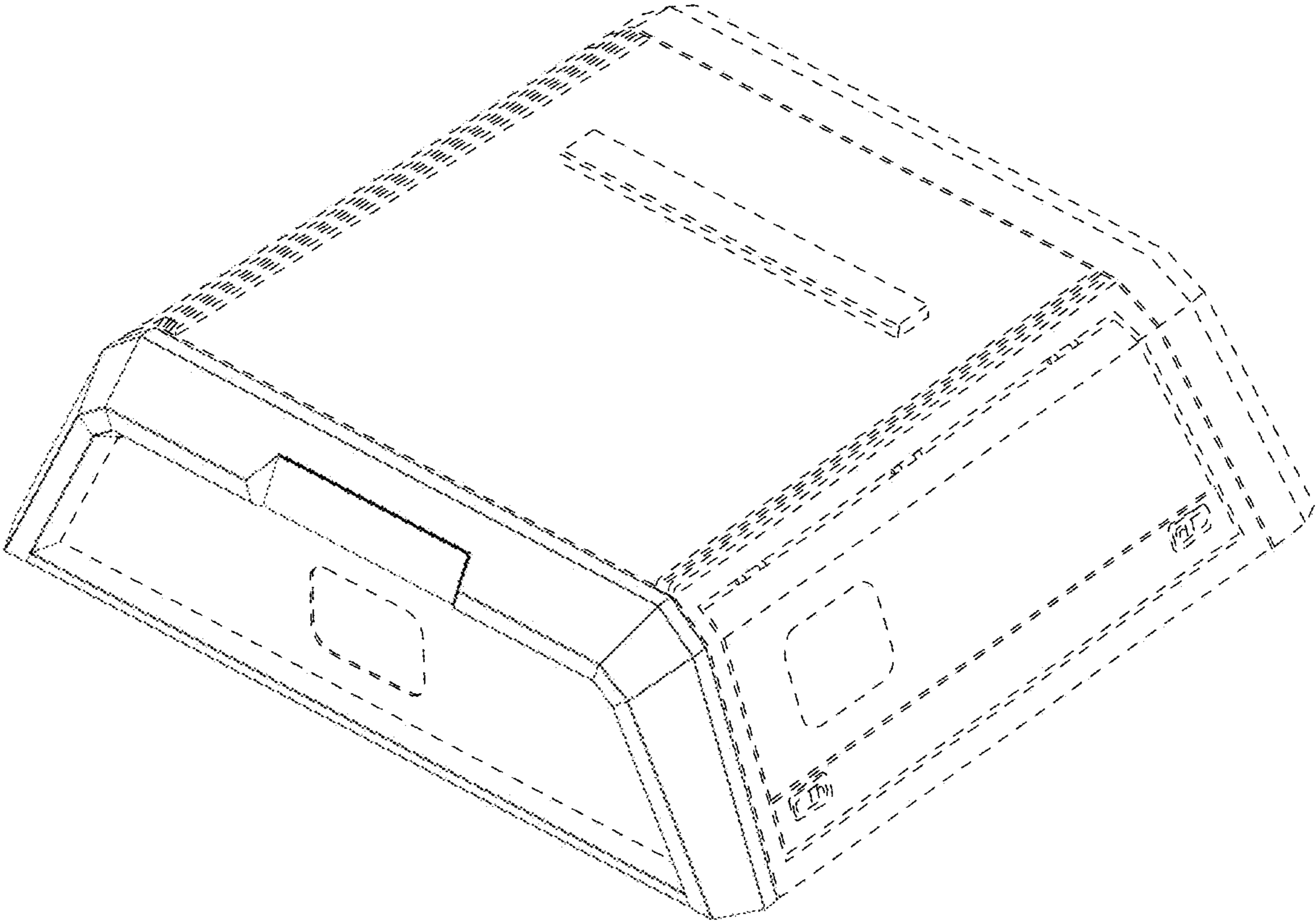


FIG. 4

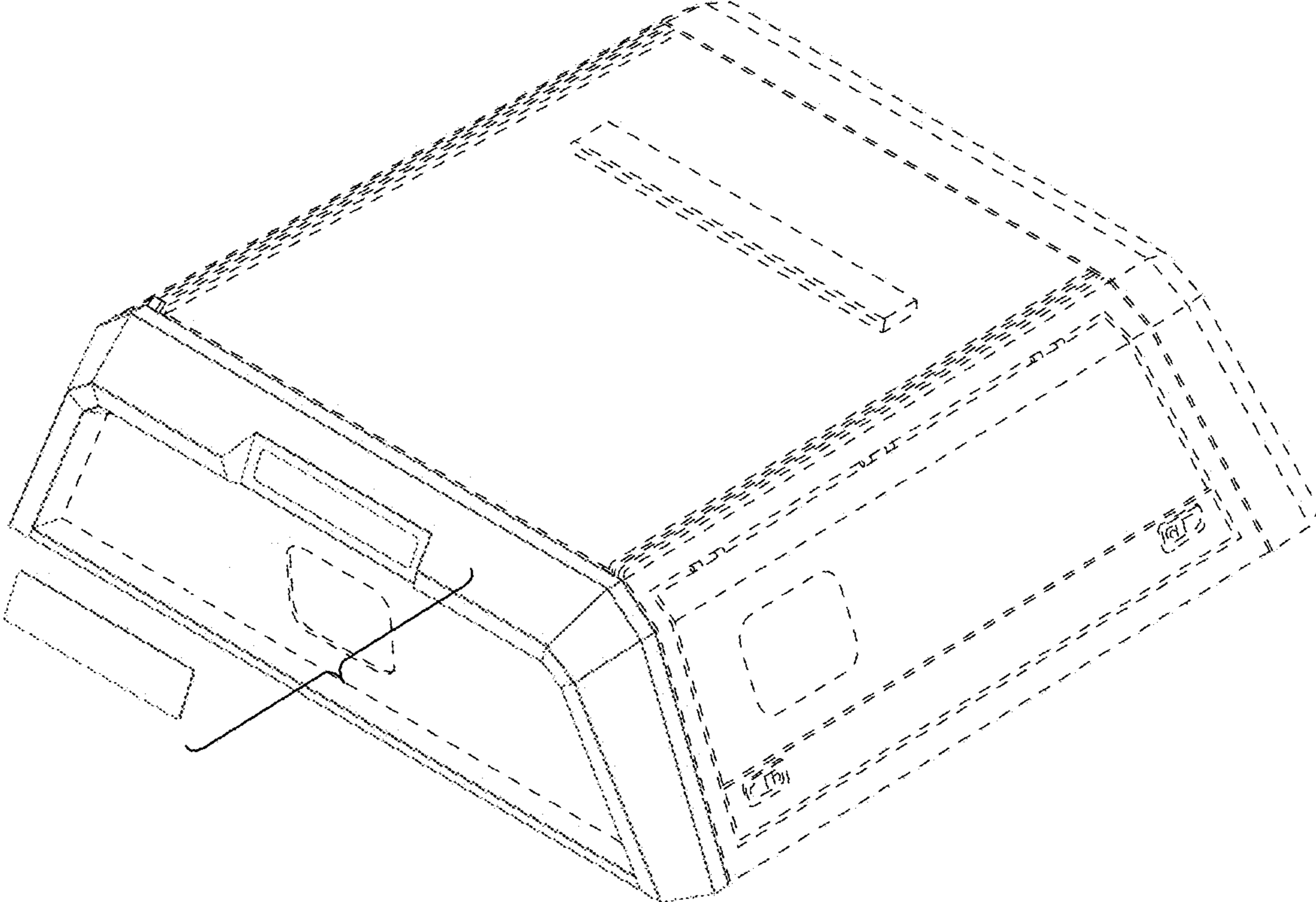
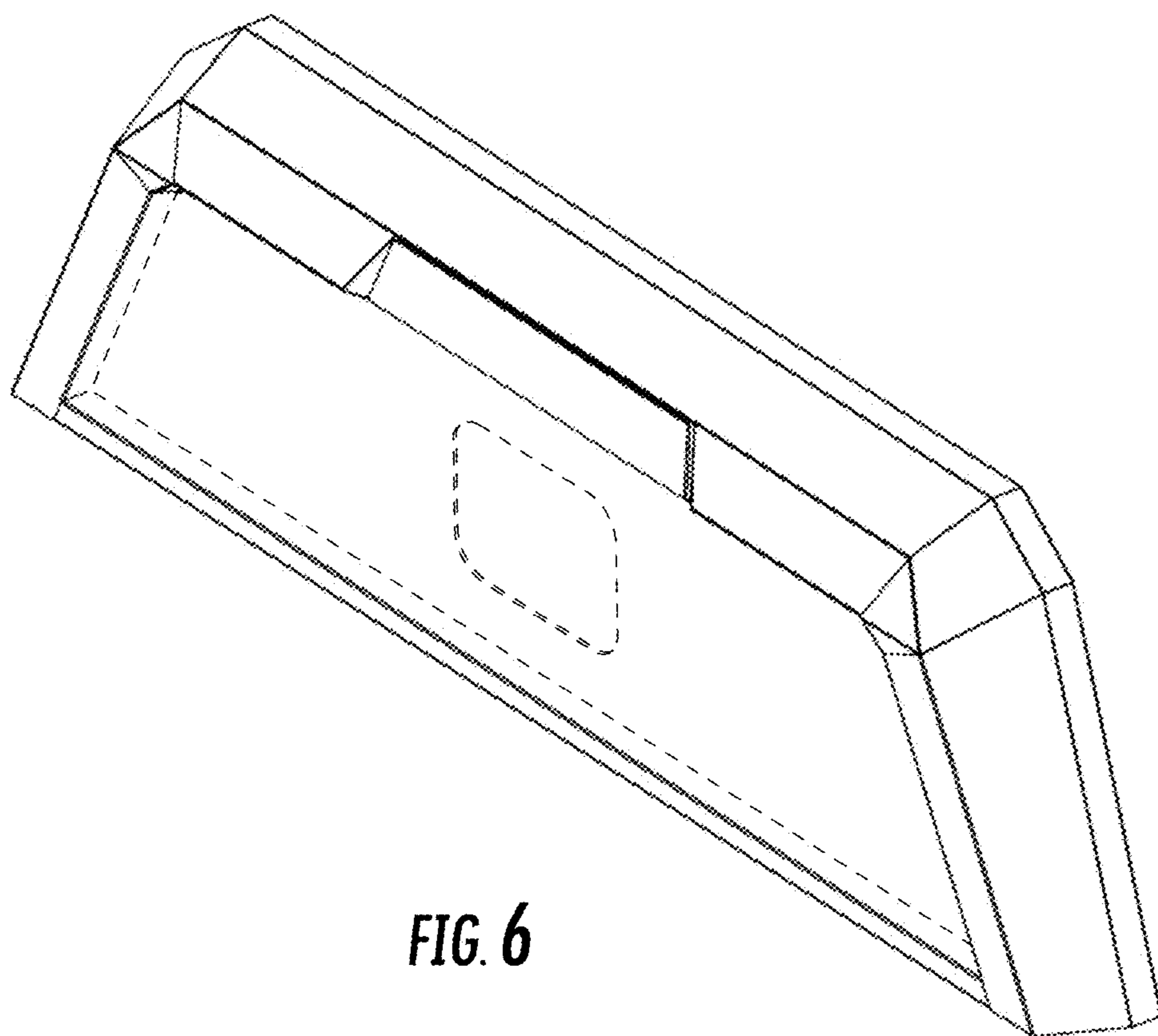
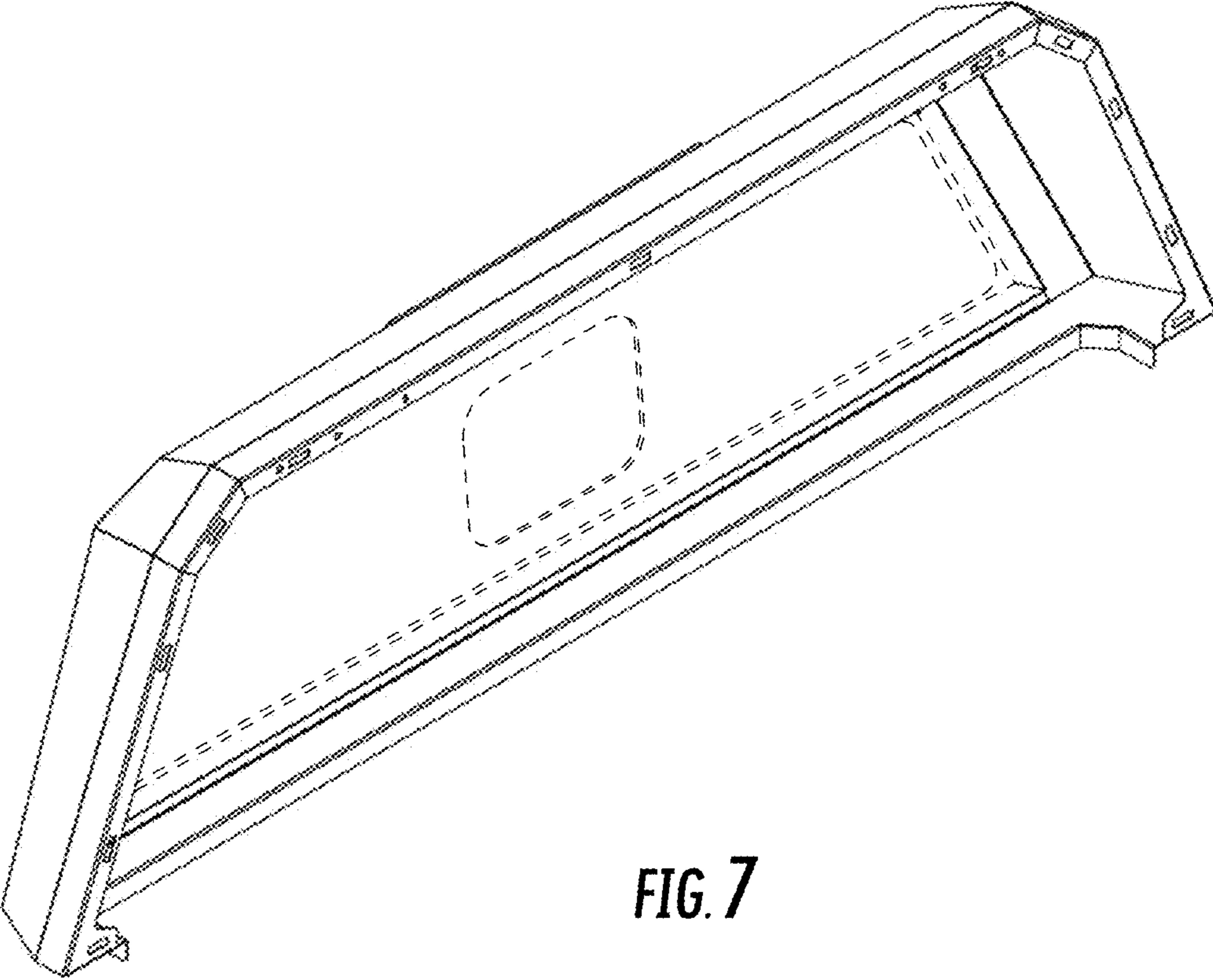


FIG. 5

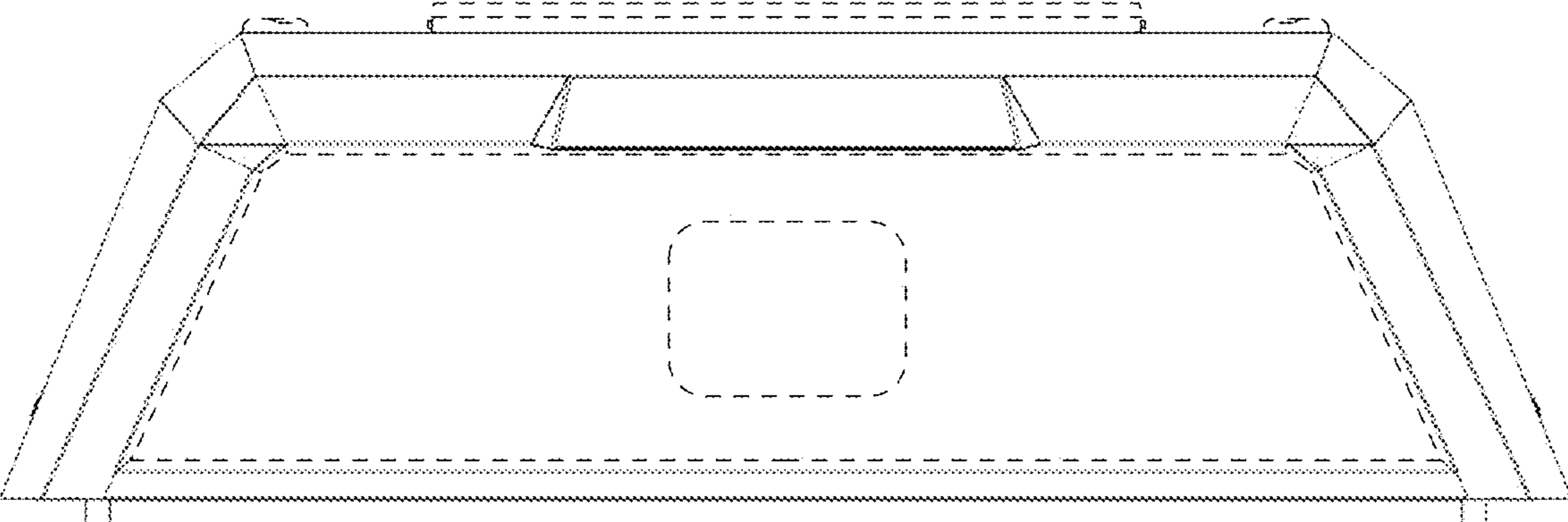


**FIG. 6**





**FIG. 7**



**FIG. 8**

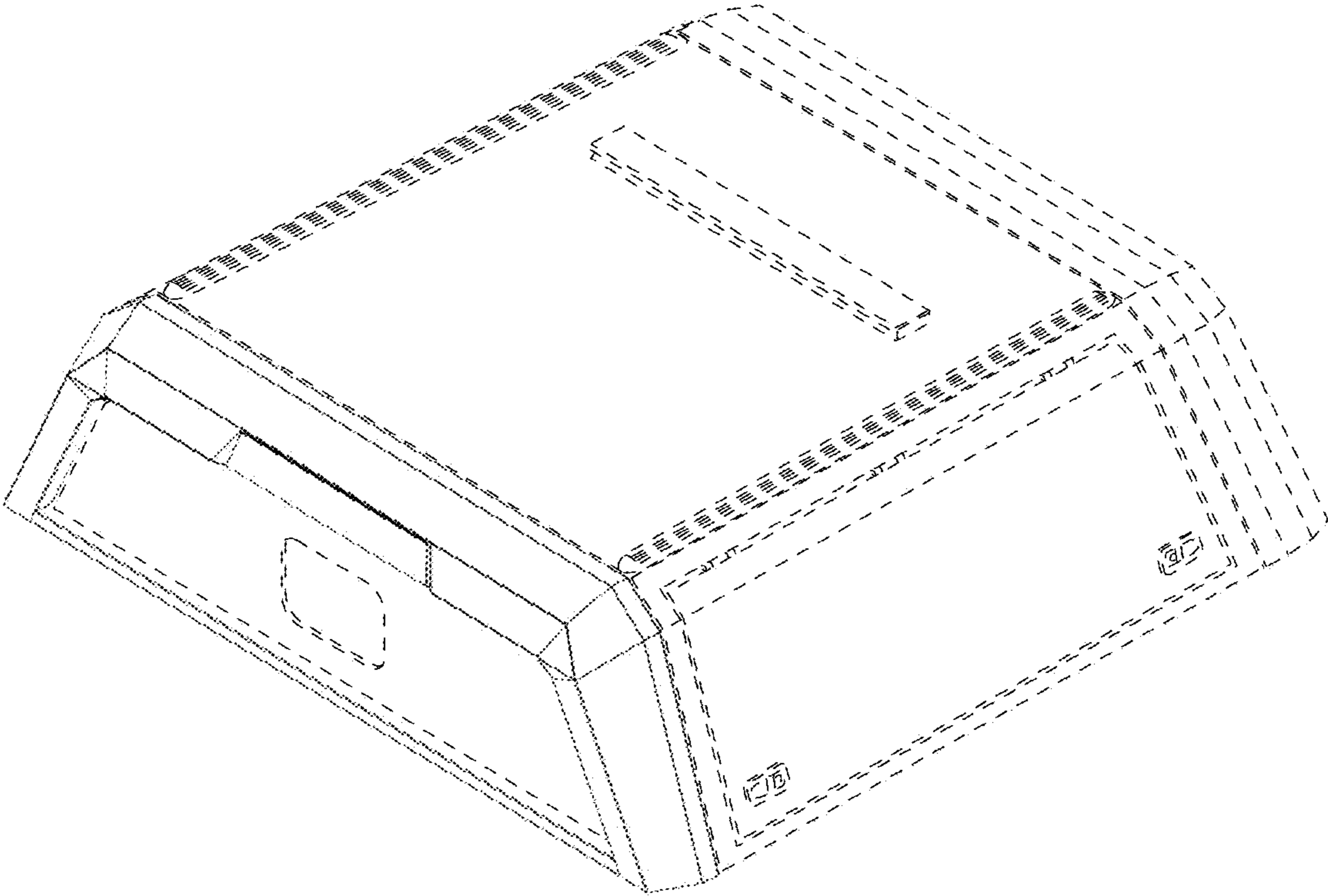
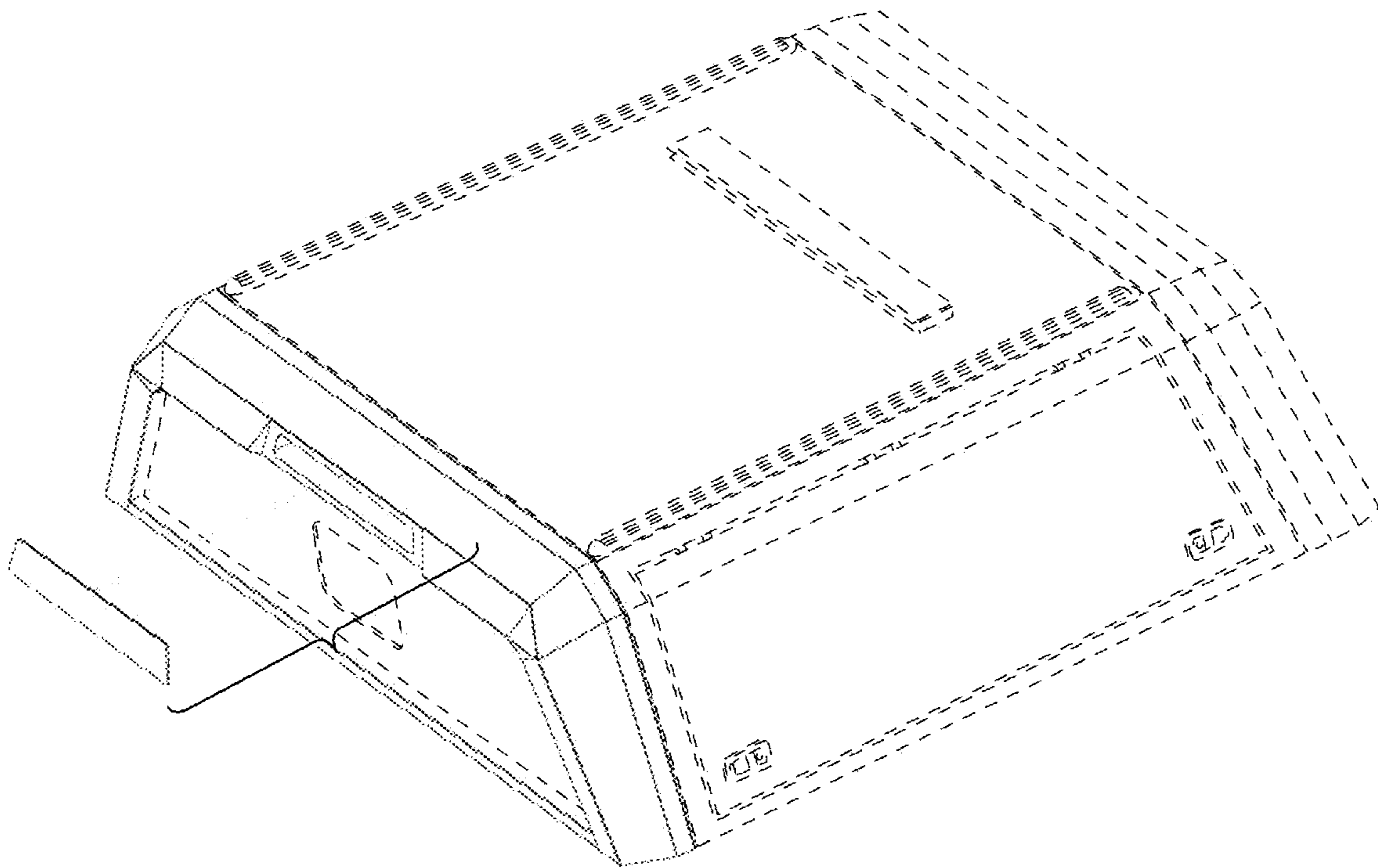
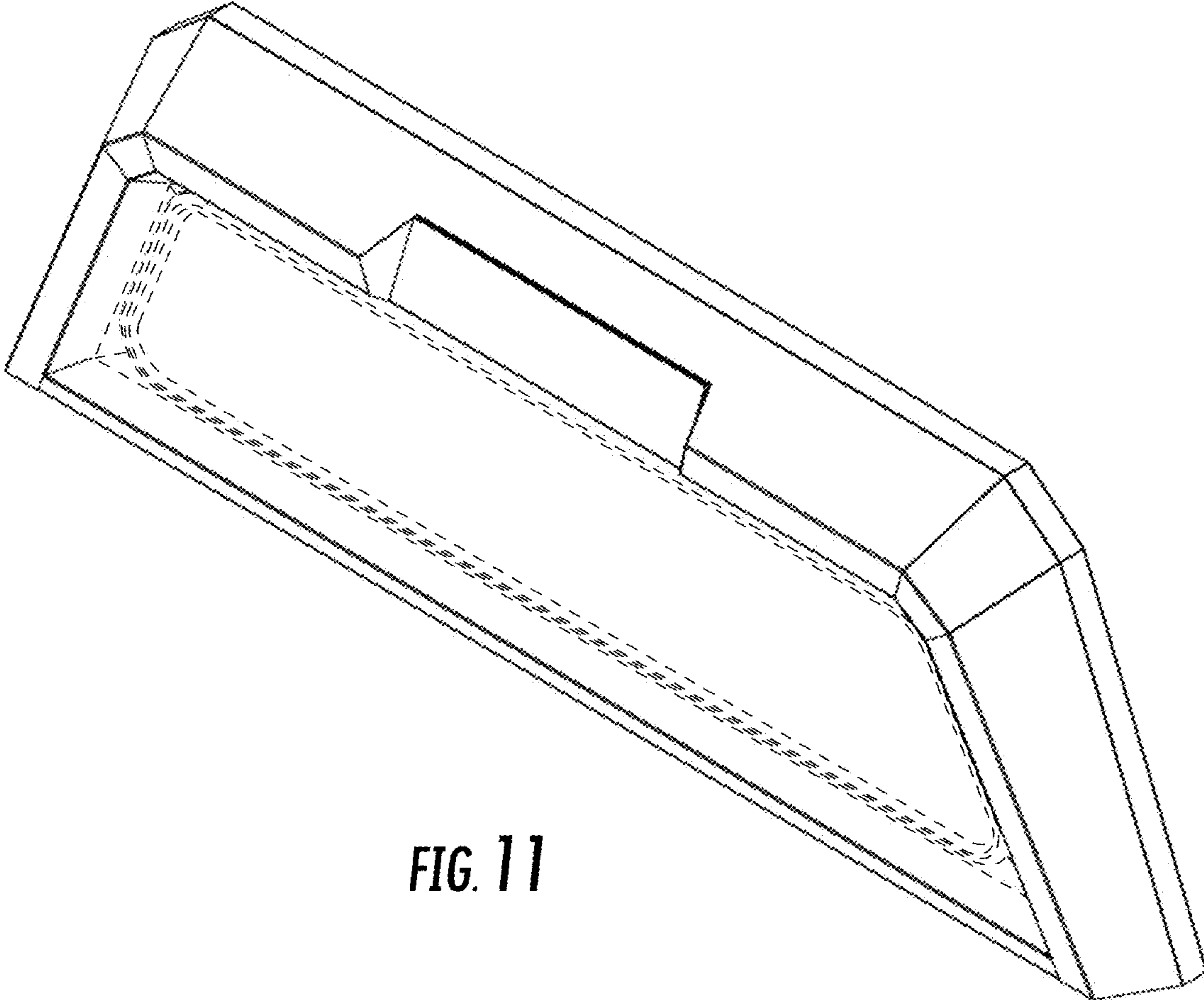


FIG. 9



**FIG. 10**



**FIG. 11**

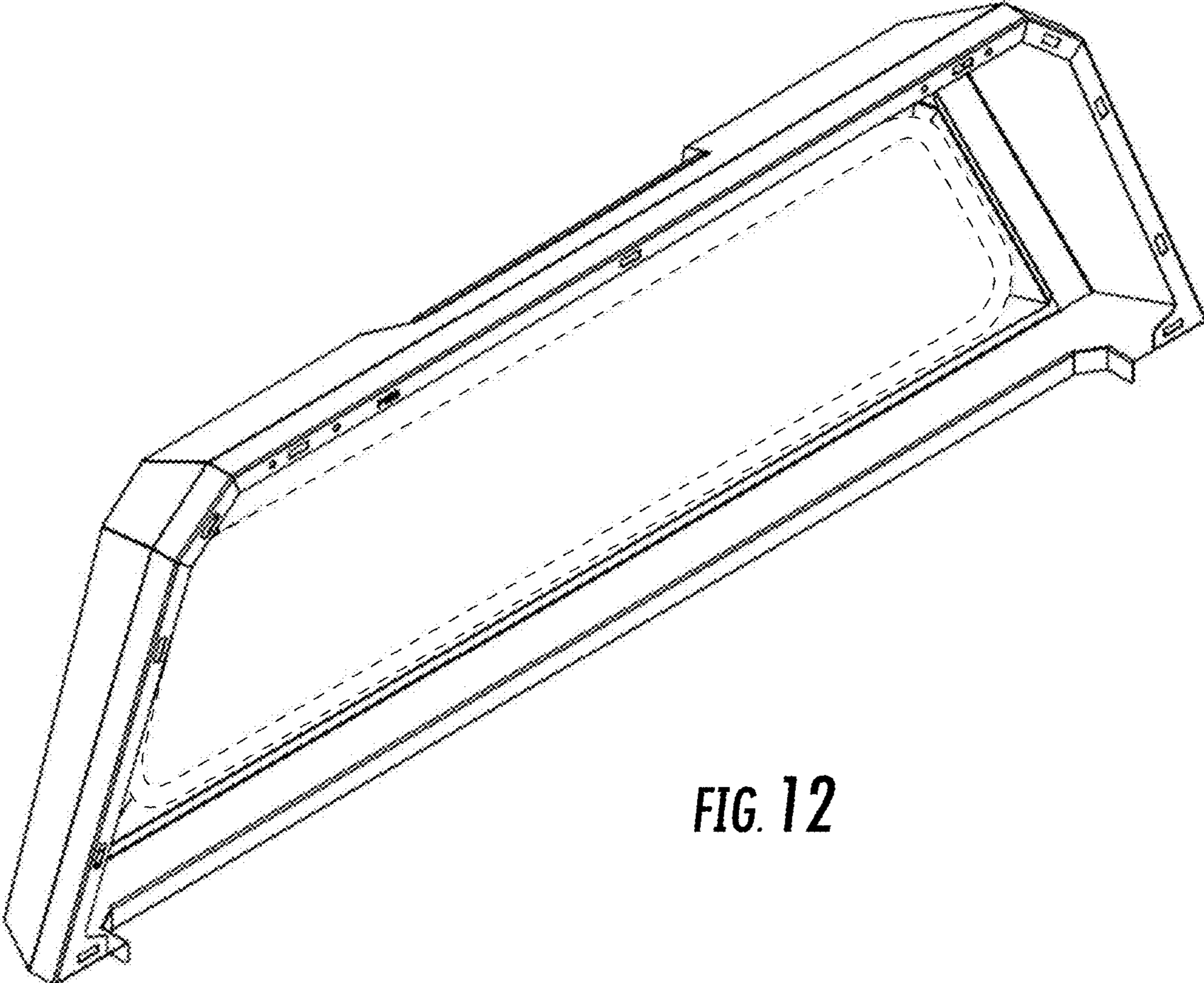
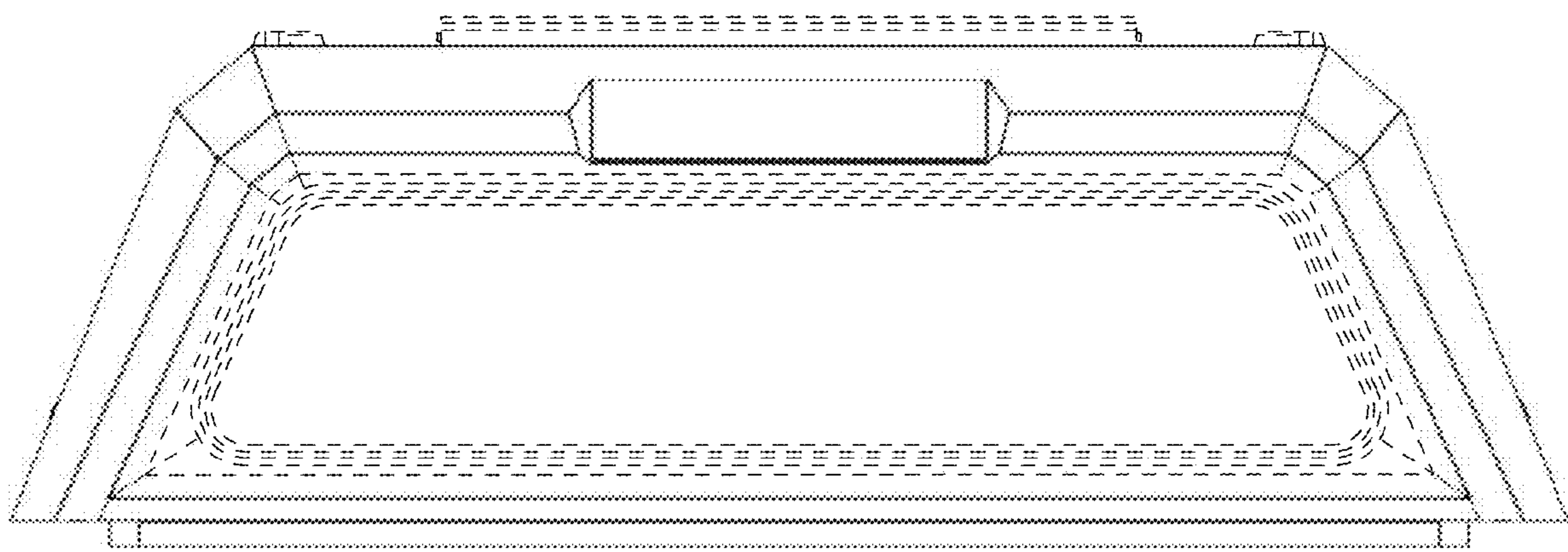


FIG. 12



**FIG. 13**

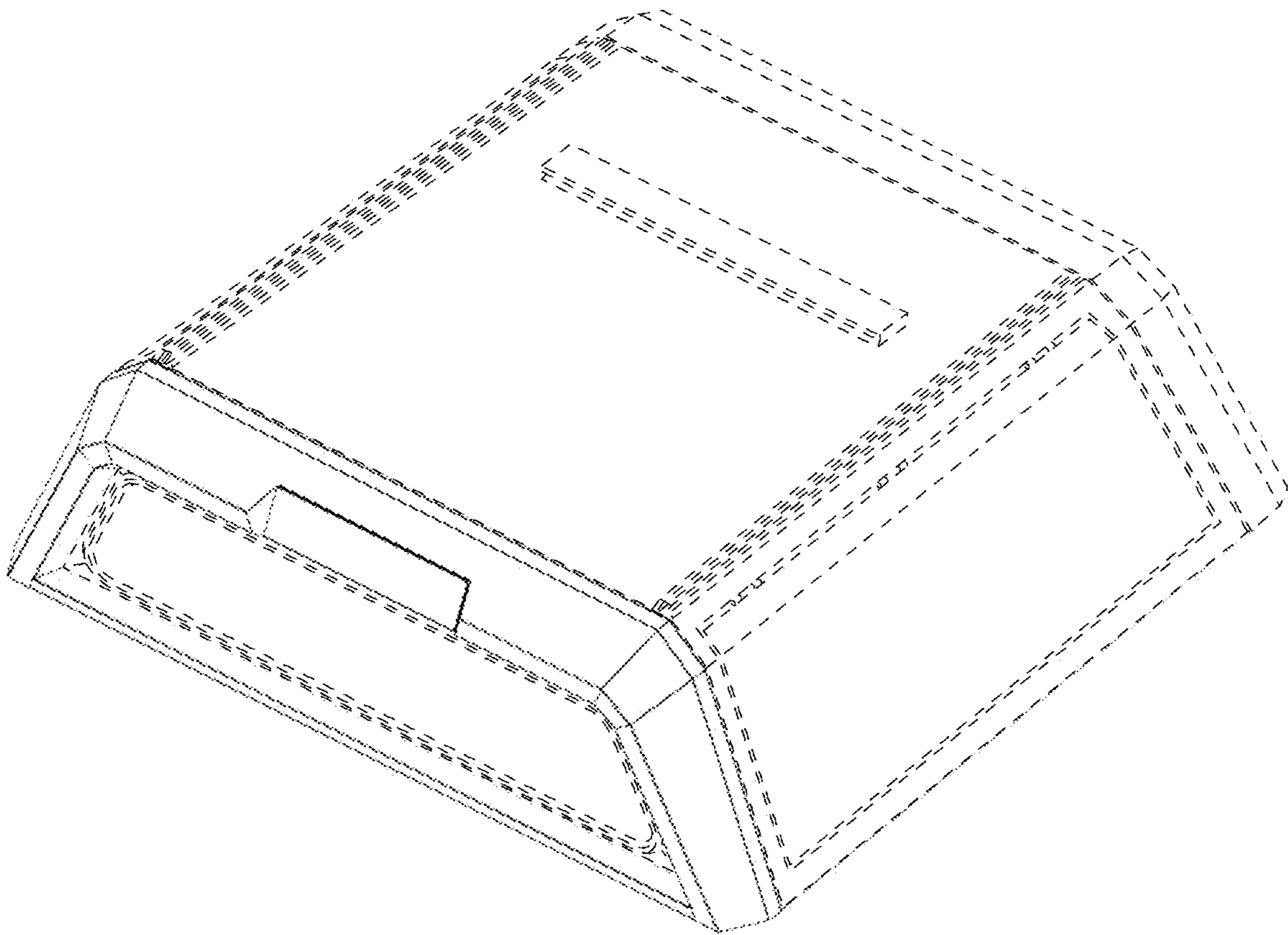


FIG. 14



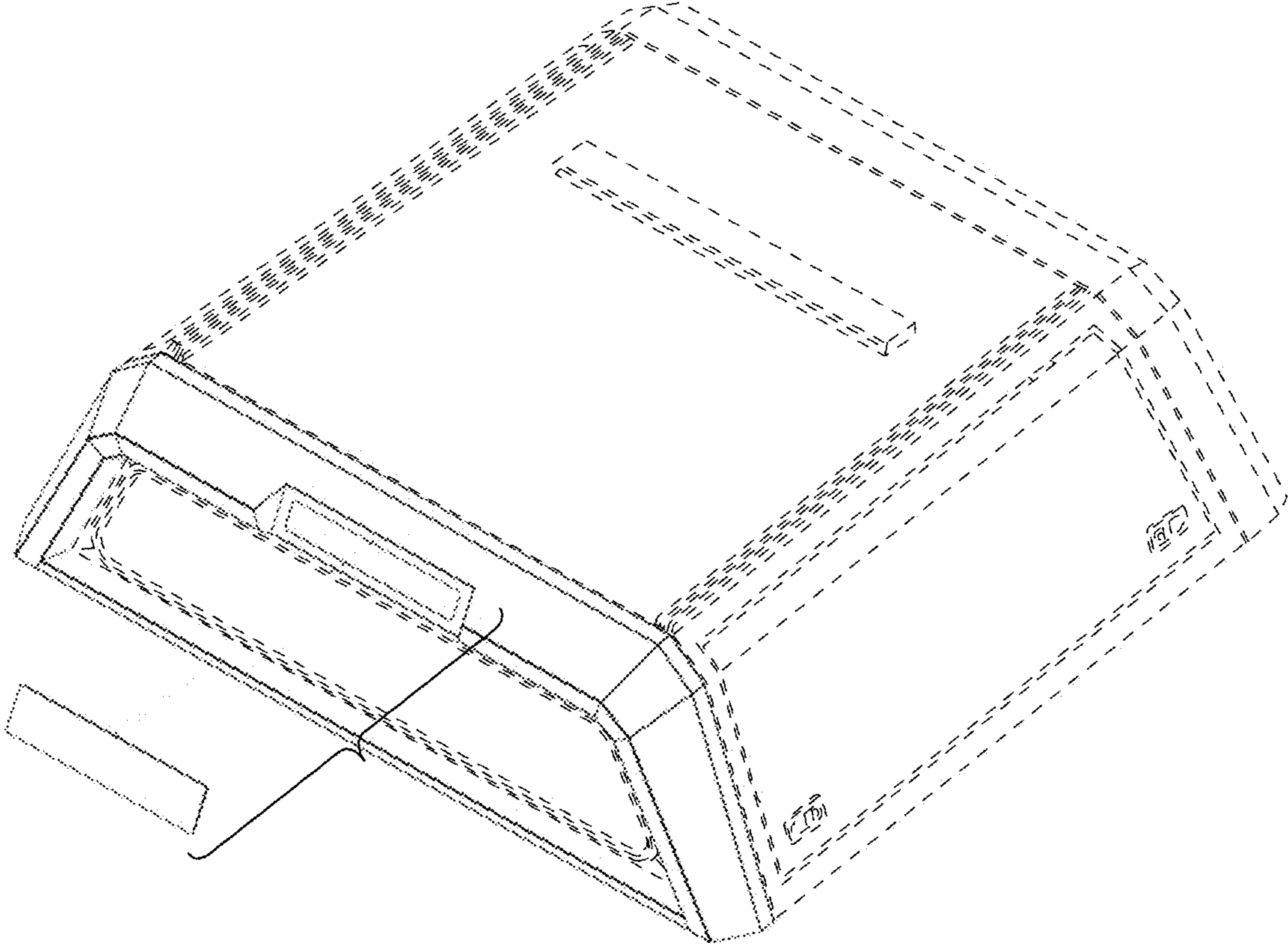


FIG. 15

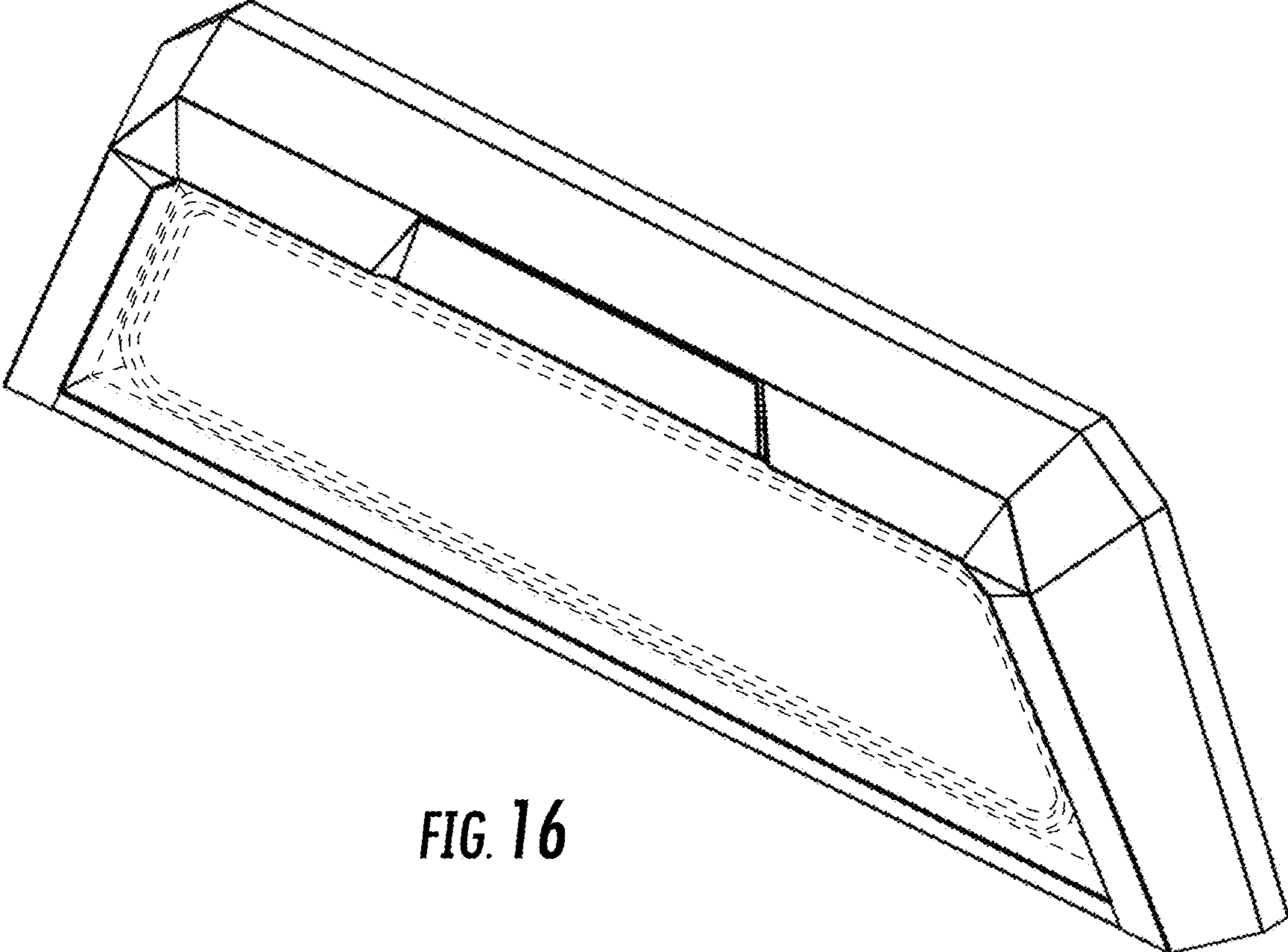


FIG. 16

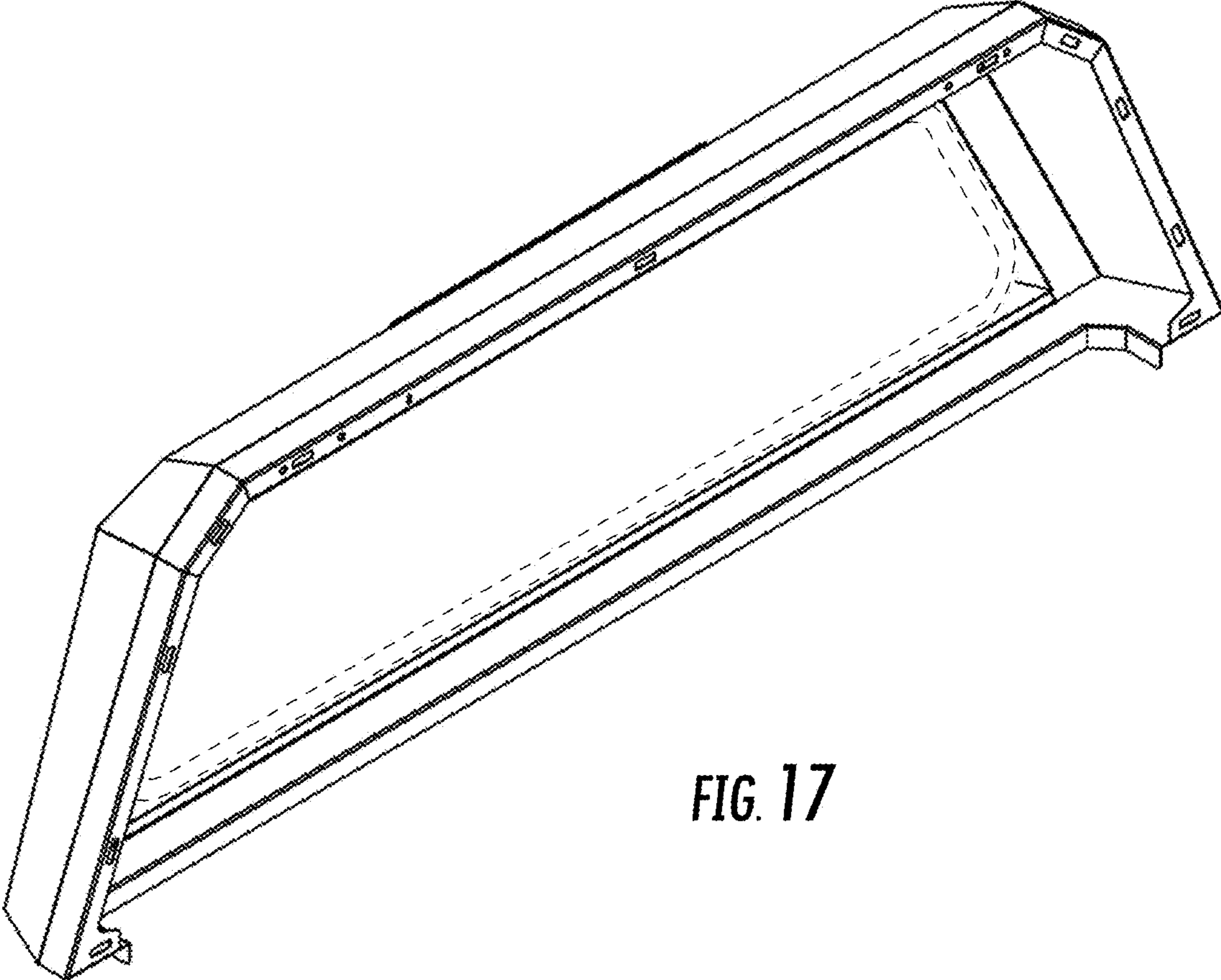
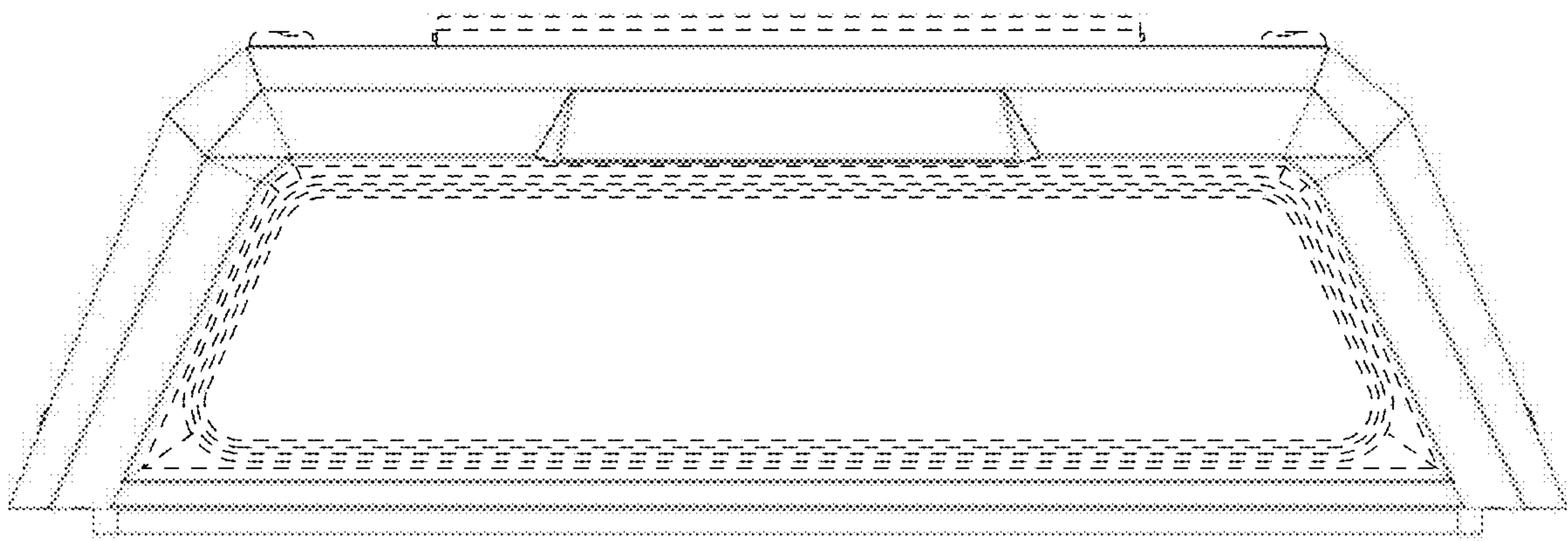


FIG. 17



**FIG. 18**

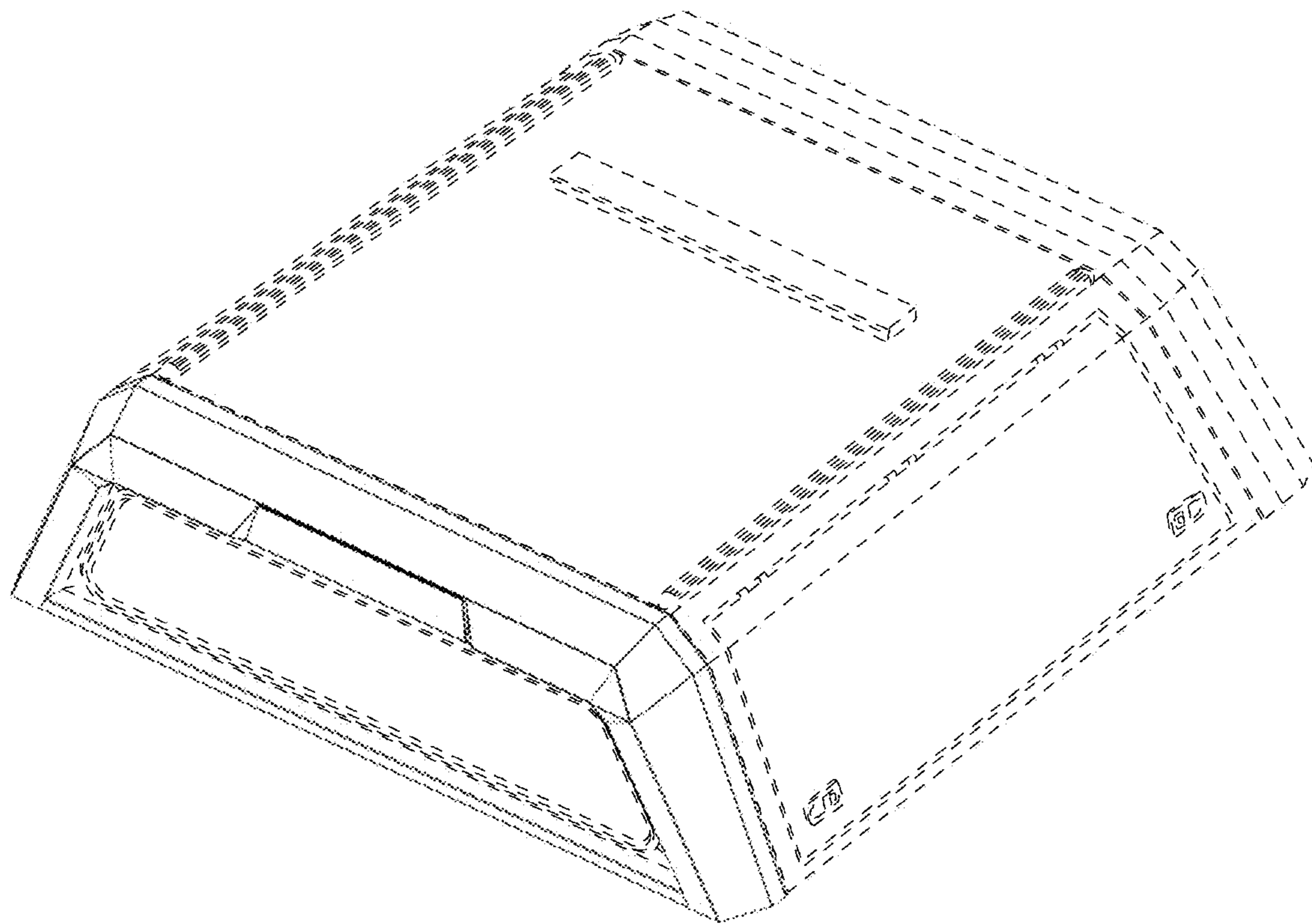
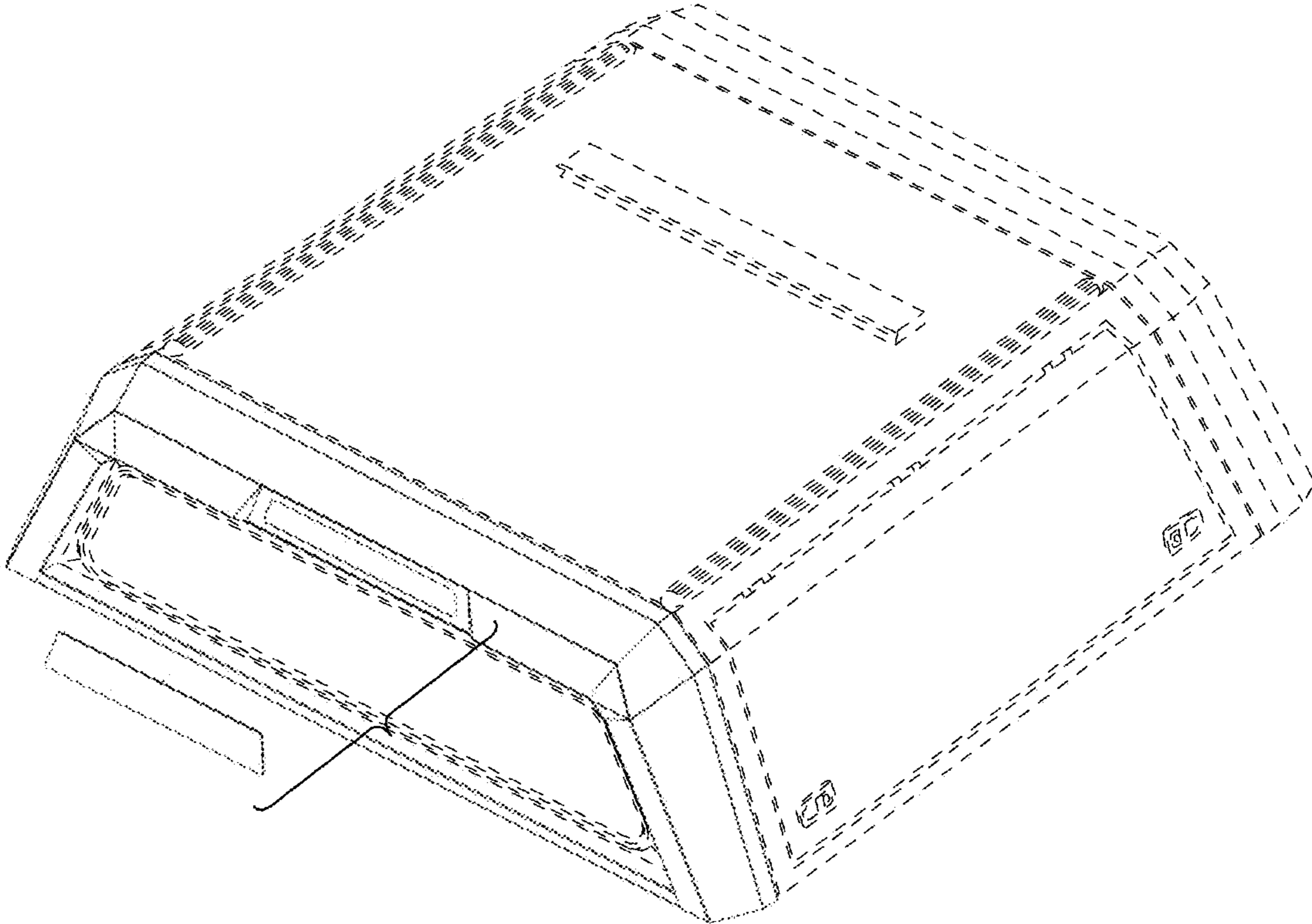


FIG. 19



**FIG. 20**