



US00D932416S

(12) **United States Design Patent** (10) **Patent No.:** **US D932,416 S**  
**DeLisle et al.** (45) **Date of Patent:** **\*\* Oct. 5, 2021**

(54) **BOAT WITH COVER AND STRAP ASSEMBLY**

(71) Applicant: **Commercial Sewing, Inc.**, Torrington, CT (US)

(72) Inventors: **Brian DeLisle**, Tolland, CT (US);  
**David Mazzarelli**, Torrington, CT (US);  
**Gary Campbell**, Knoxville, TN (US);  
**Joe Hamilton**, Sweetwater, TN (US);  
**Ryan Miller**, Knoxville, TN (US); **Jon Broncatello**, Knoxville, TN (US)

(73) Assignee: **COMMERCIAL SEWING, INC.**, Torrington, CT (US)

(\*\*) Term: **15 Years**

(21) Appl. No.: **29/630,342**

(22) Filed: **Dec. 20, 2017**

(51) **LOC (13) Cl.** ..... **12-06**

(52) **U.S. Cl.**  
USPC ..... **D12/317**

(58) **Field of Classification Search**  
USPC ..... D12/300, 317, 318, 401, 403; D21/834, D21/839

(Continued)

(56) **References Cited**

**U.S. PATENT DOCUMENTS**

3,059,659 A \* 10/1962 Ipsen ..... B63B 17/02  
135/87  
6,308,653 B1 \* 10/2001 Geraci ..... B63B 17/02  
114/361

(Continued)

*Primary Examiner* — Cynthia M. Chin

(74) *Attorney, Agent, or Firm* — Cantor Colburn LLP

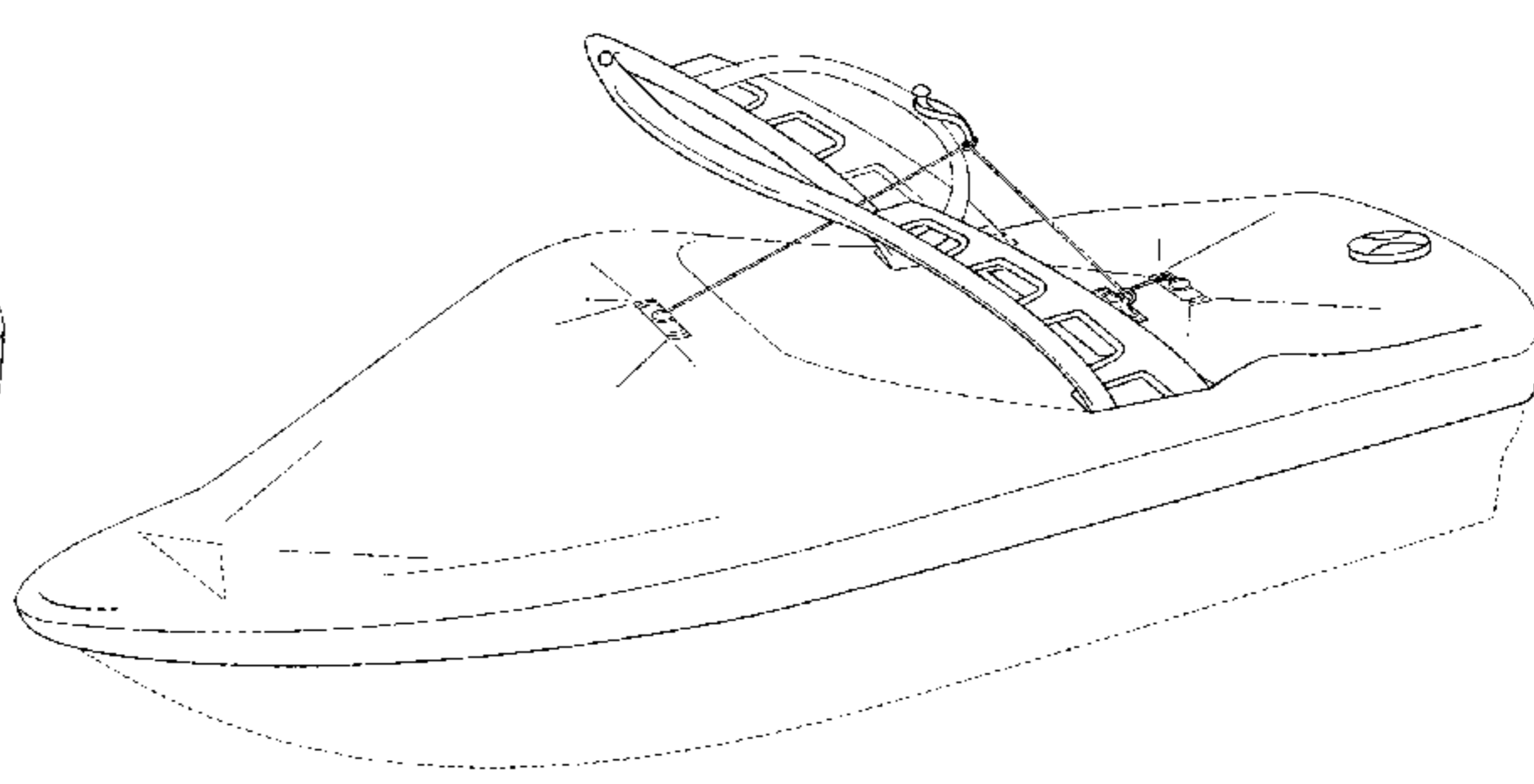
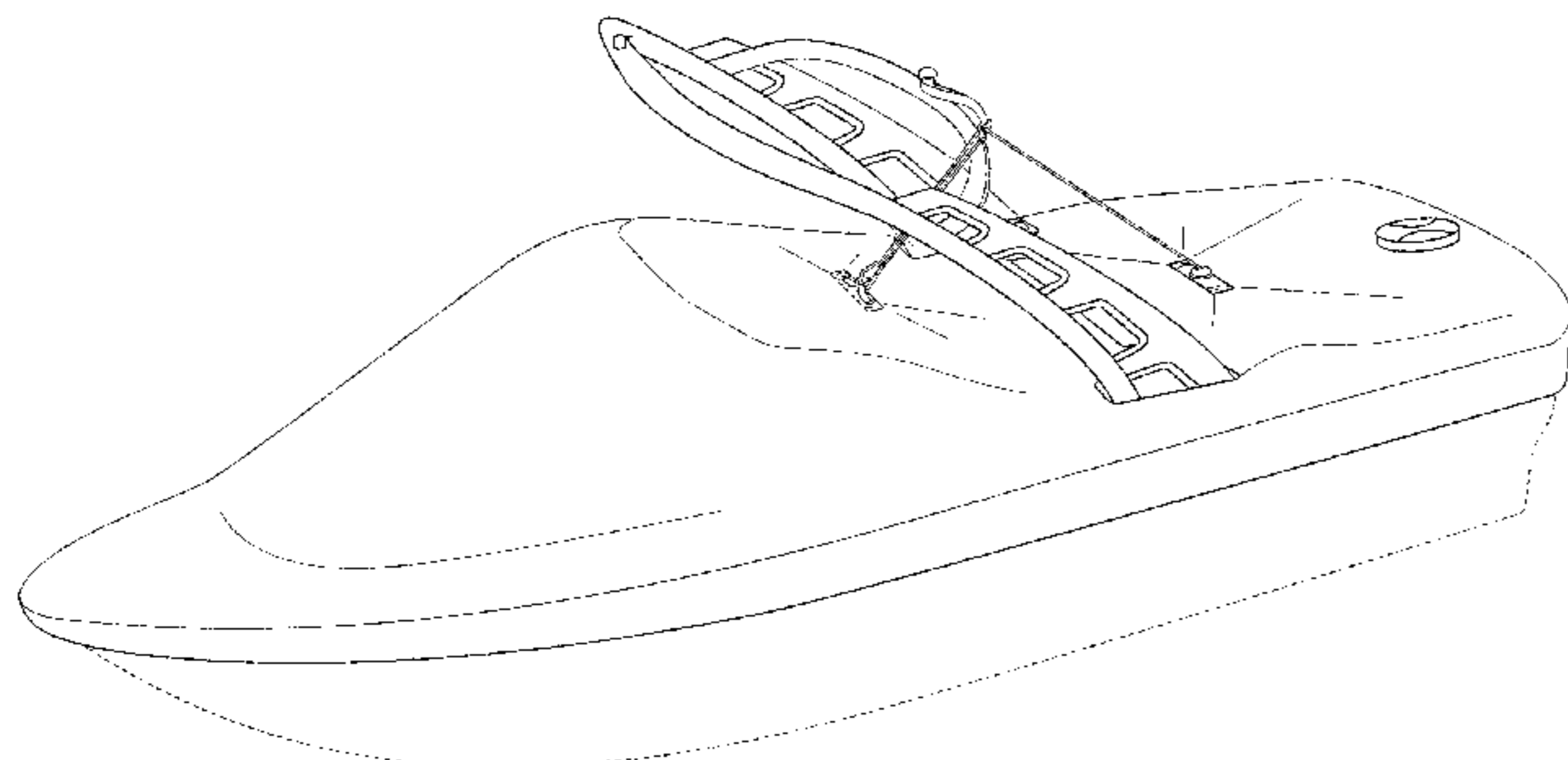
(57) **CLAIM**

We claim, the ornamental design for a boat with cover and strap assembly, as shown and described.

**DESCRIPTION**

FIG. 1 is a perspective view of a boat with cover and strap assembly, showing a first embodiment of our new design; FIG. 2 is a front view of the embodiment shown in FIG. 1; FIG. 3 is a back view of the embodiment shown in FIG. 1; FIG. 4 is a side view of the embodiment shown in FIG. 1; FIG. 5 is another side view of the embodiment shown in FIG. 1; FIG. 6 is a top plan view of the embodiment shown in FIG. 1; FIG. 7 is an enlarged partial view of FIG. 3; FIG. 8 is a side view of the enlarged partial view shown in FIG. 7, with portions of the boat and cover removed for clarity; FIG. 9 is a partial cross-sectional view of FIG. 4 taken along line 9-9; FIG. 10 is an enlarged partial view of FIG. 7; FIG. 11 is an enlarged partial view of FIG. 7; FIG. 12 is an enlarged partial view of FIG. 7; FIG. 13 is a perspective view of a boat cover strap assembly, showing a second embodiment of our new design; FIG. 14 is a front view of the embodiment shown in FIG. 13; FIG. 15 is a back view of the embodiment shown in FIG. 13; FIG. 16 is a side view of the embodiment shown in FIG. 13; FIG. 17 is another side view of the embodiment shown in FIG. 13; FIG. 18 is a top plan view of the embodiment shown in FIG. 13; FIG. 19 is an enlarged partial view of FIG. 15; FIG. 20 is a side view of the enlarged partial view shown in FIG. 19, with portions of the boat and cover removed for clarity; FIG. 21 is a cross-sectional view of FIG. 16 taken along line 21-21; FIG. 22 is an enlarged partial view of FIG. 19; FIG. 23 is an enlarged partial view of FIG. 19; and, FIG. 24 is an enlarged partial view of FIG. 19. The broken lines are for the purpose of illustrating portions of the article that form no part of the claimed design. The dash-dot lines represent the boundaries of the enlarged partial view of FIGS. 9-12 and FIGS. 21-24 and form no part of the claimed design.

**1 Claim, 14 Drawing Sheets**



(58) **Field of Classification Search**

CPC ..... B63B 17/02; B63B 17/023; B63B 19/14  
See application file for complete search history.

(56) **References Cited**

U.S. PATENT DOCUMENTS

7,146,926	B1 *	12/2006	Yang .....	B63B 17/02
				114/361
7,987,807	B2 *	8/2011	Mikacich .....	B63B 17/02
				114/361
2010/0024711	A1 *	2/2010	Mikacich .....	B63B 17/02
				114/361
2014/0026803	A1 *	1/2014	Musacchio .....	B63B 17/02
				114/361
2017/0305503	A1 *	10/2017	Murphy .....	B65D 65/14

\* cited by examiner

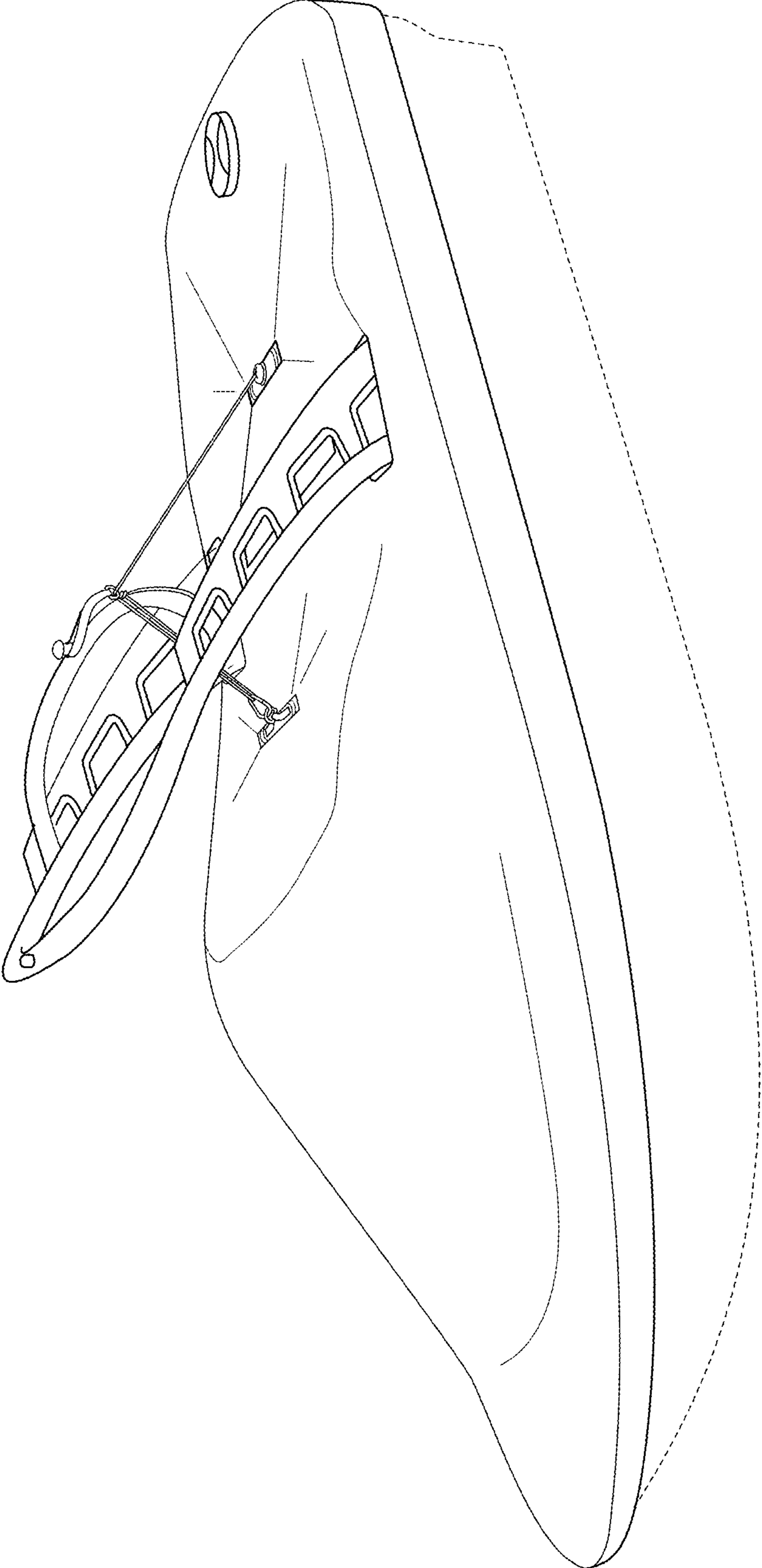
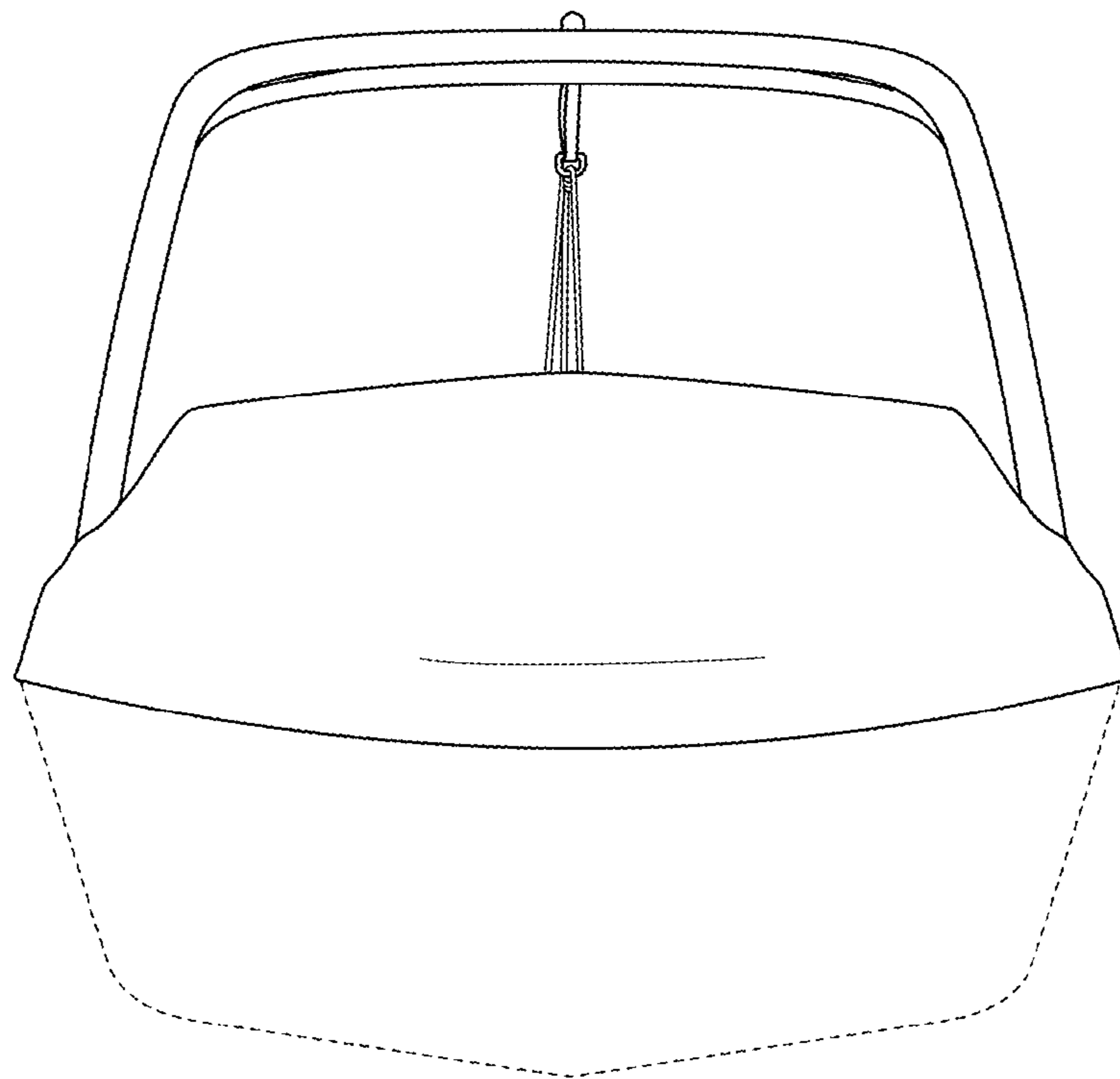
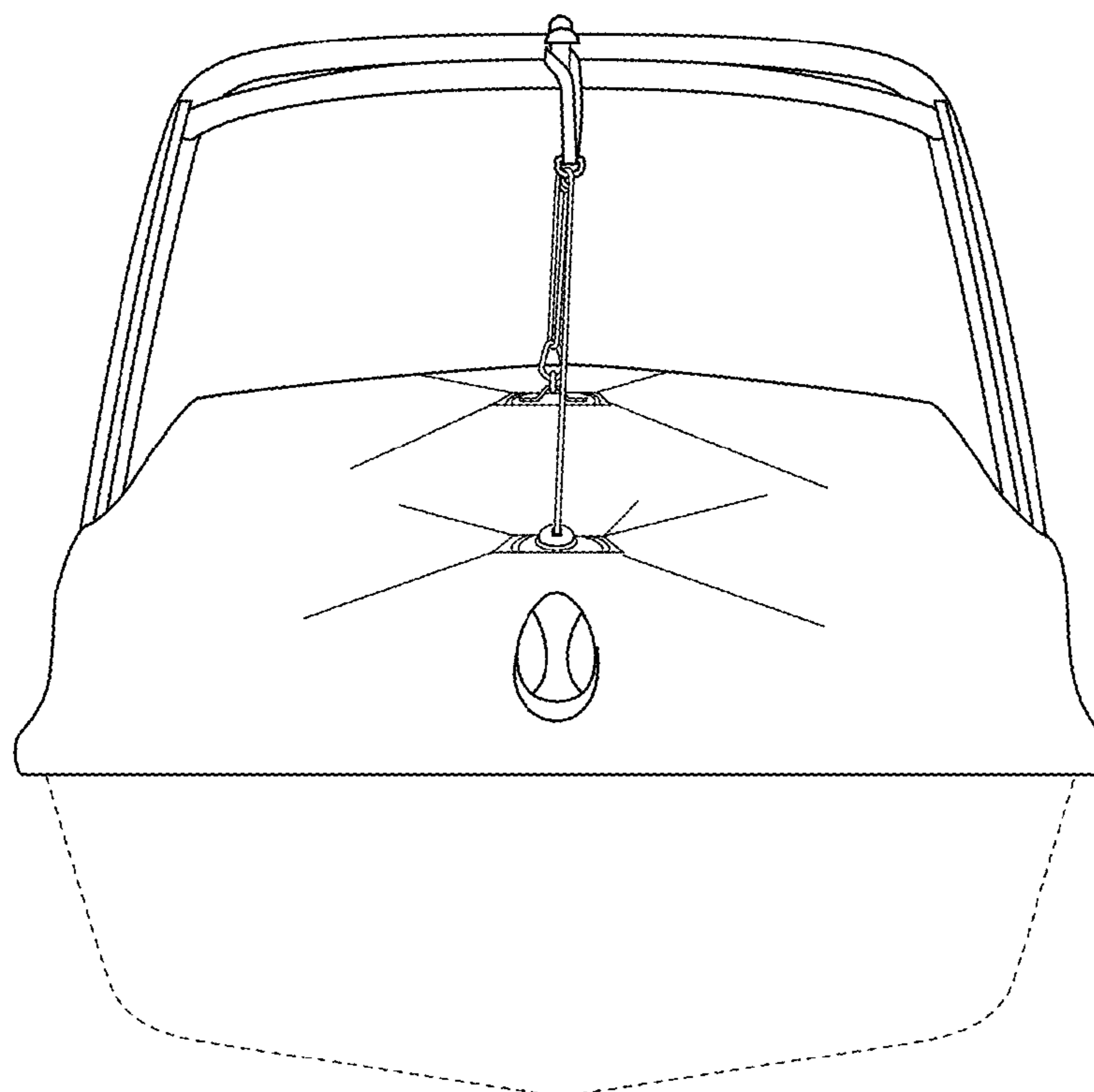


FIG. 1



**FIG. 2**



**FIG. 3**

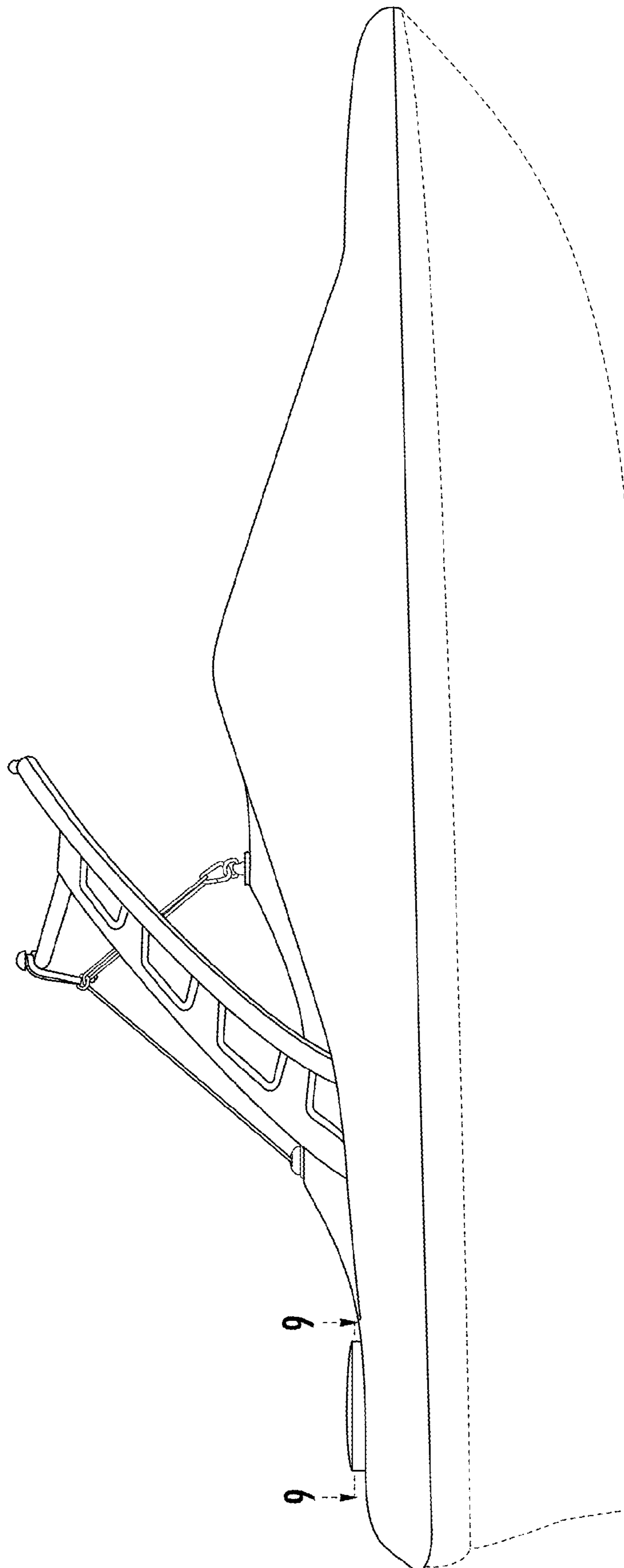


FIG. 4



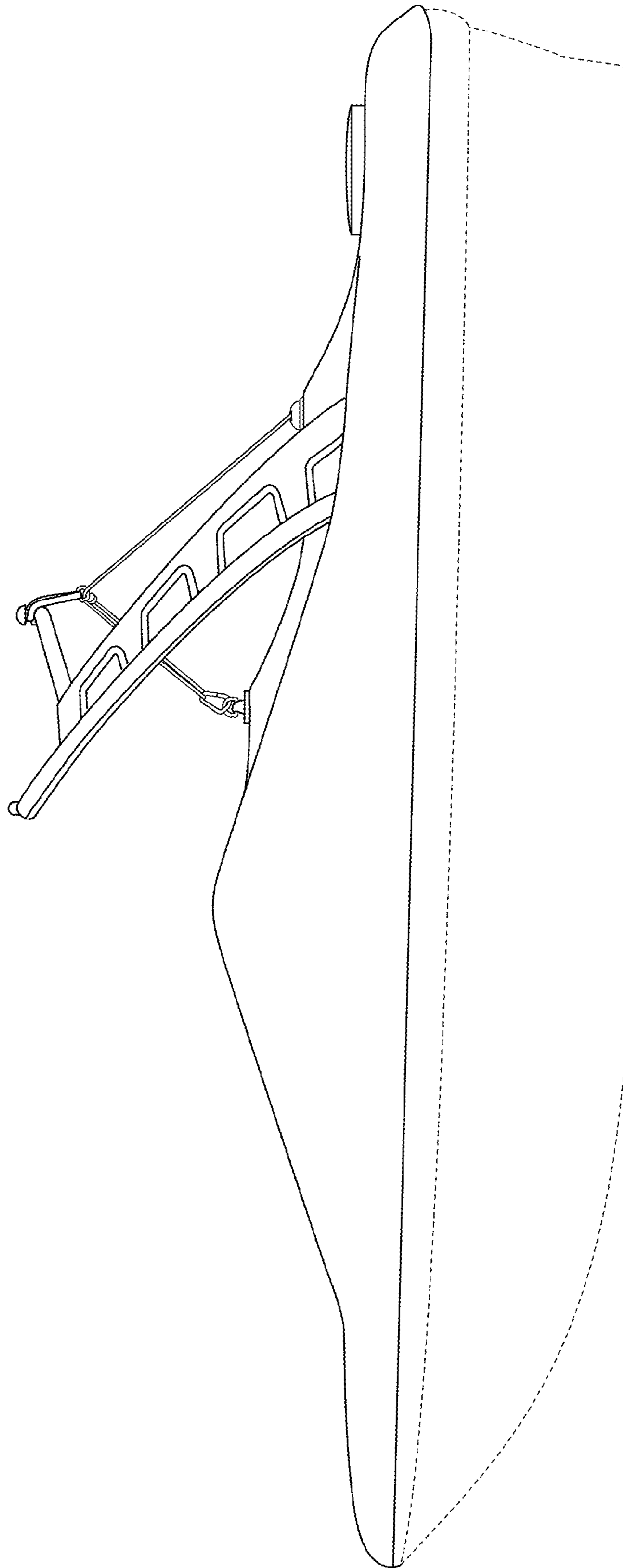


FIG. 5

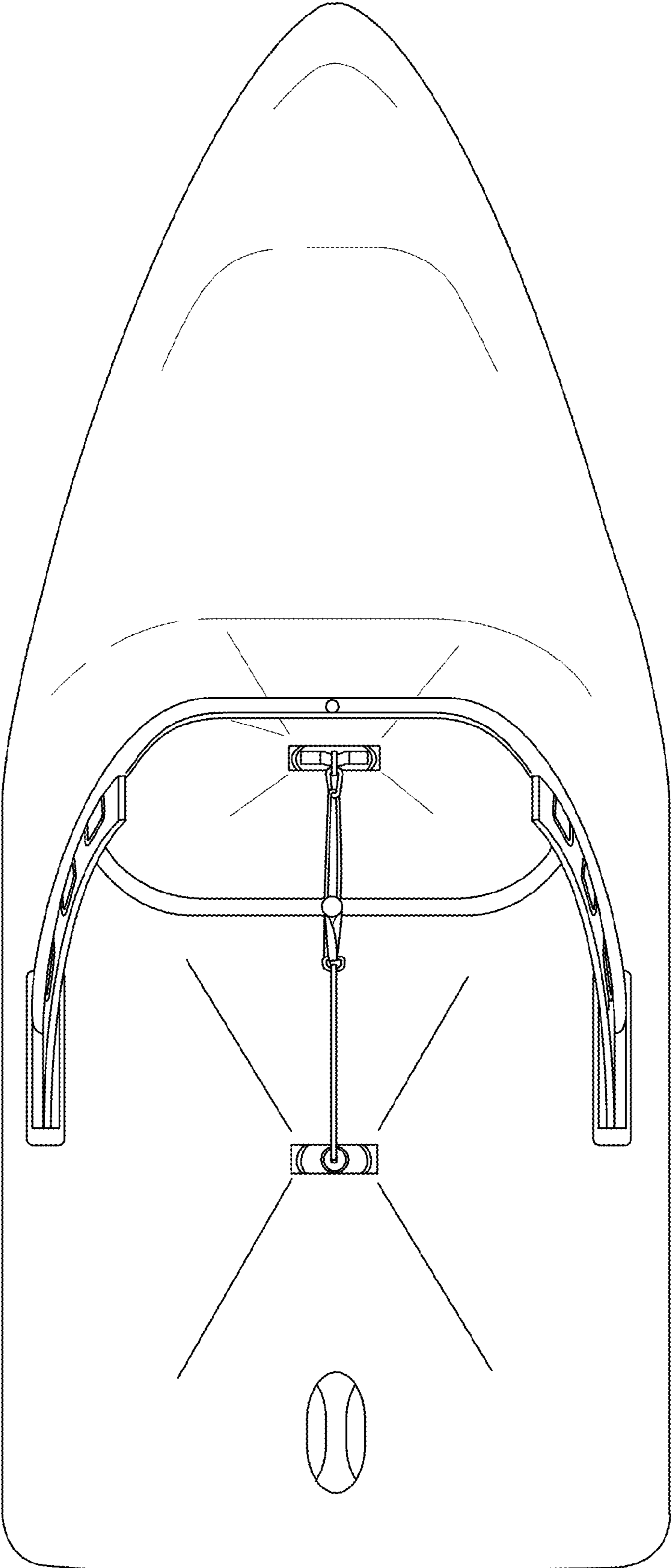
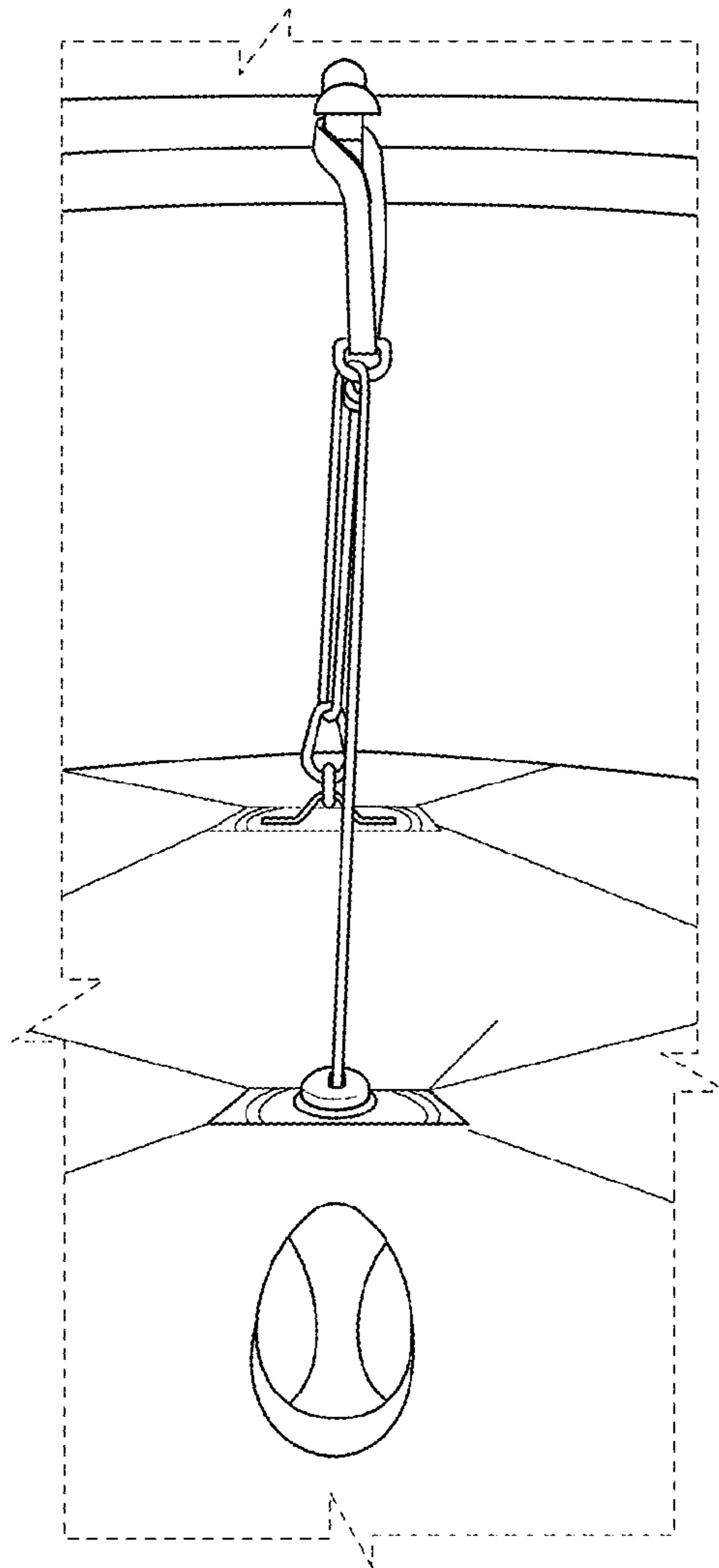
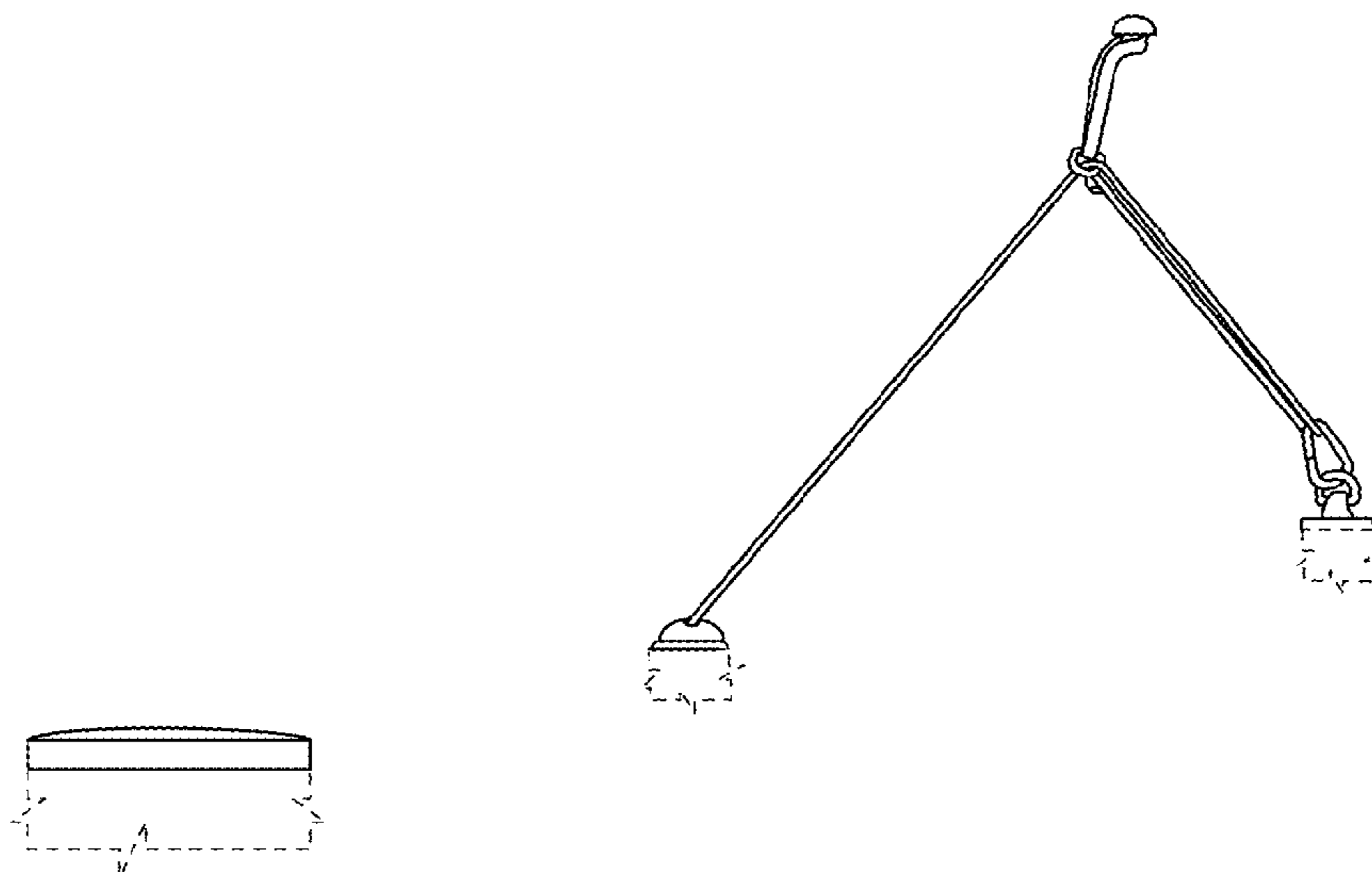


FIG. 6

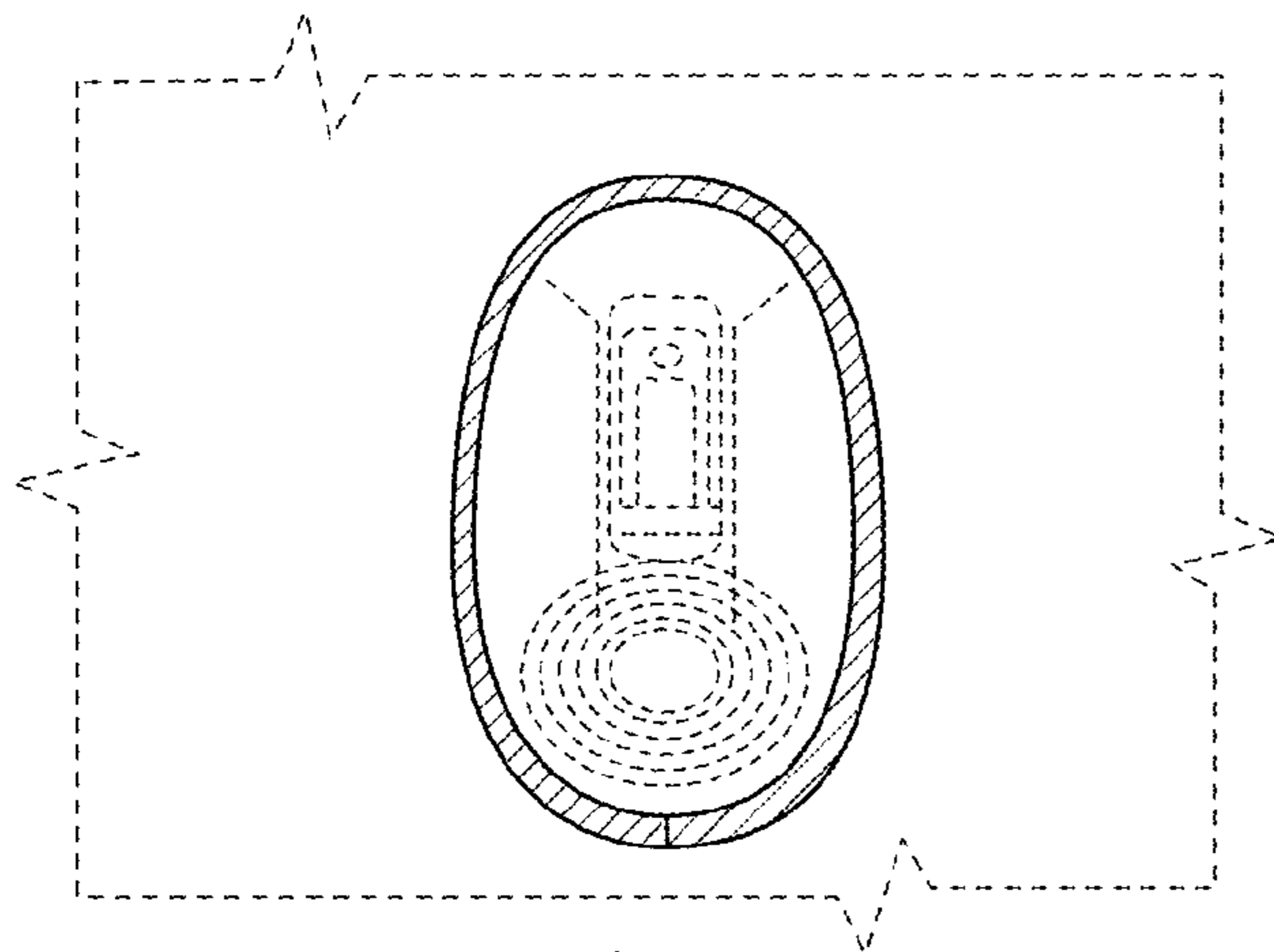


**FIG. 7**

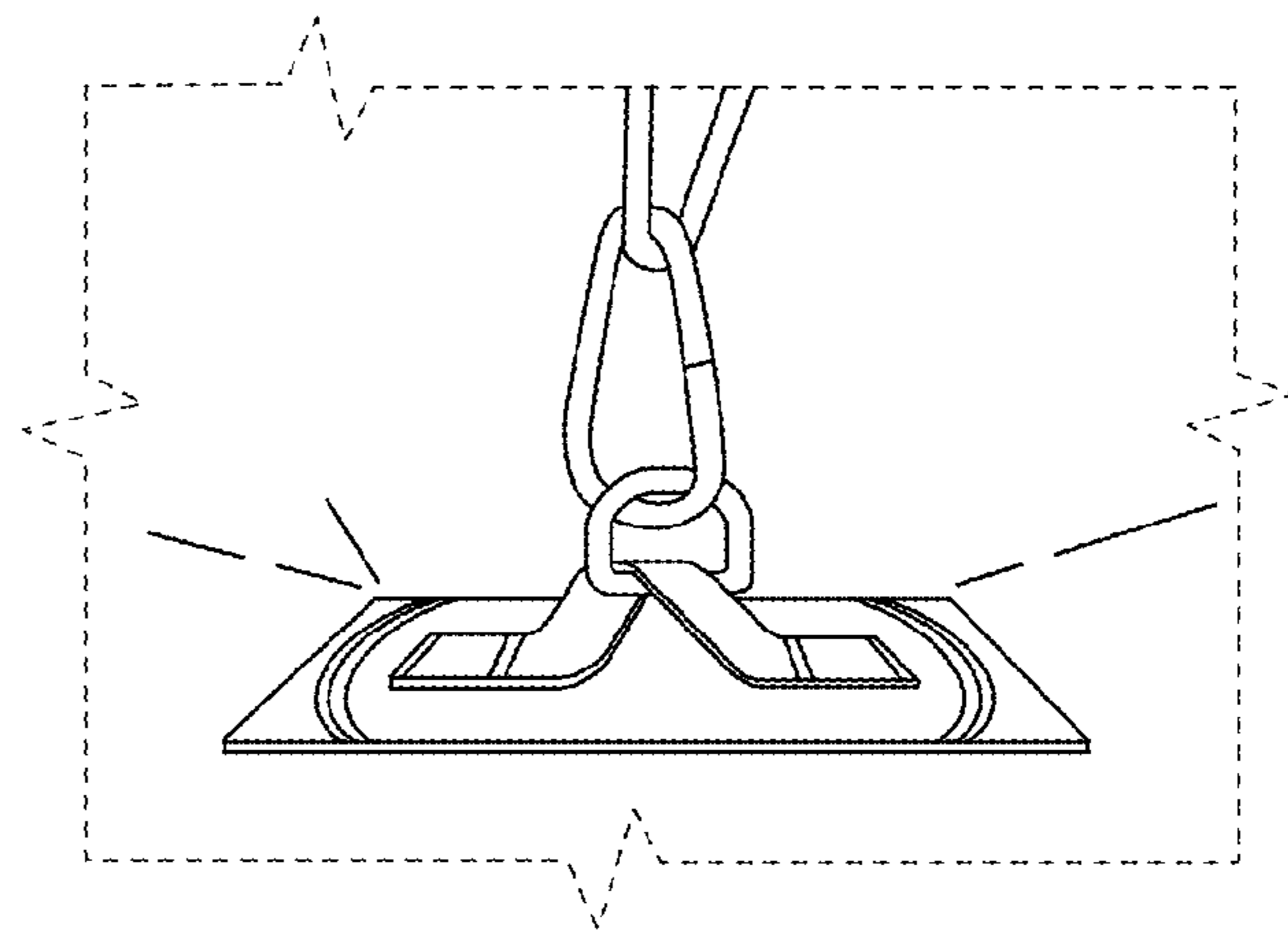


**FIG. 8**

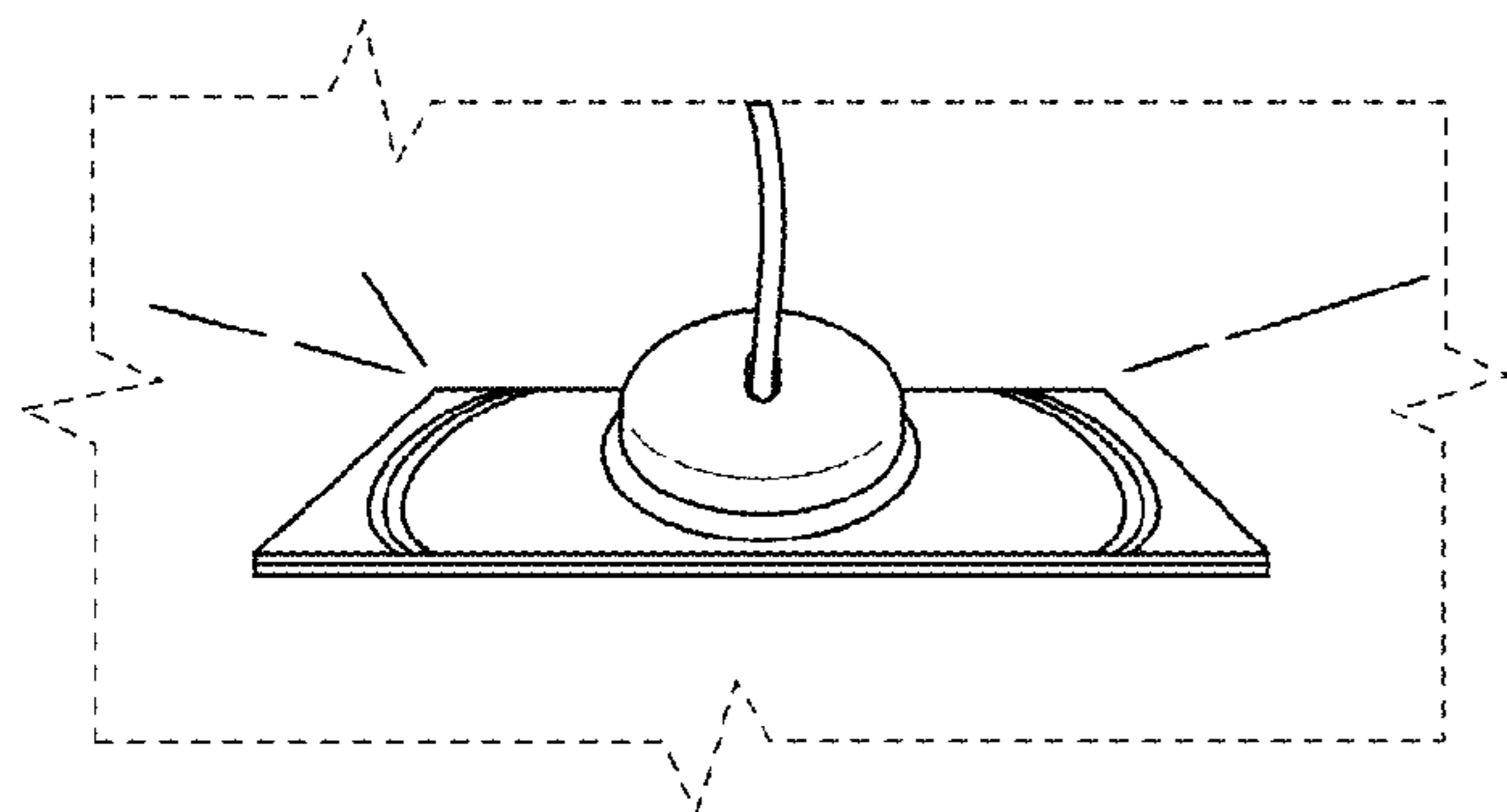




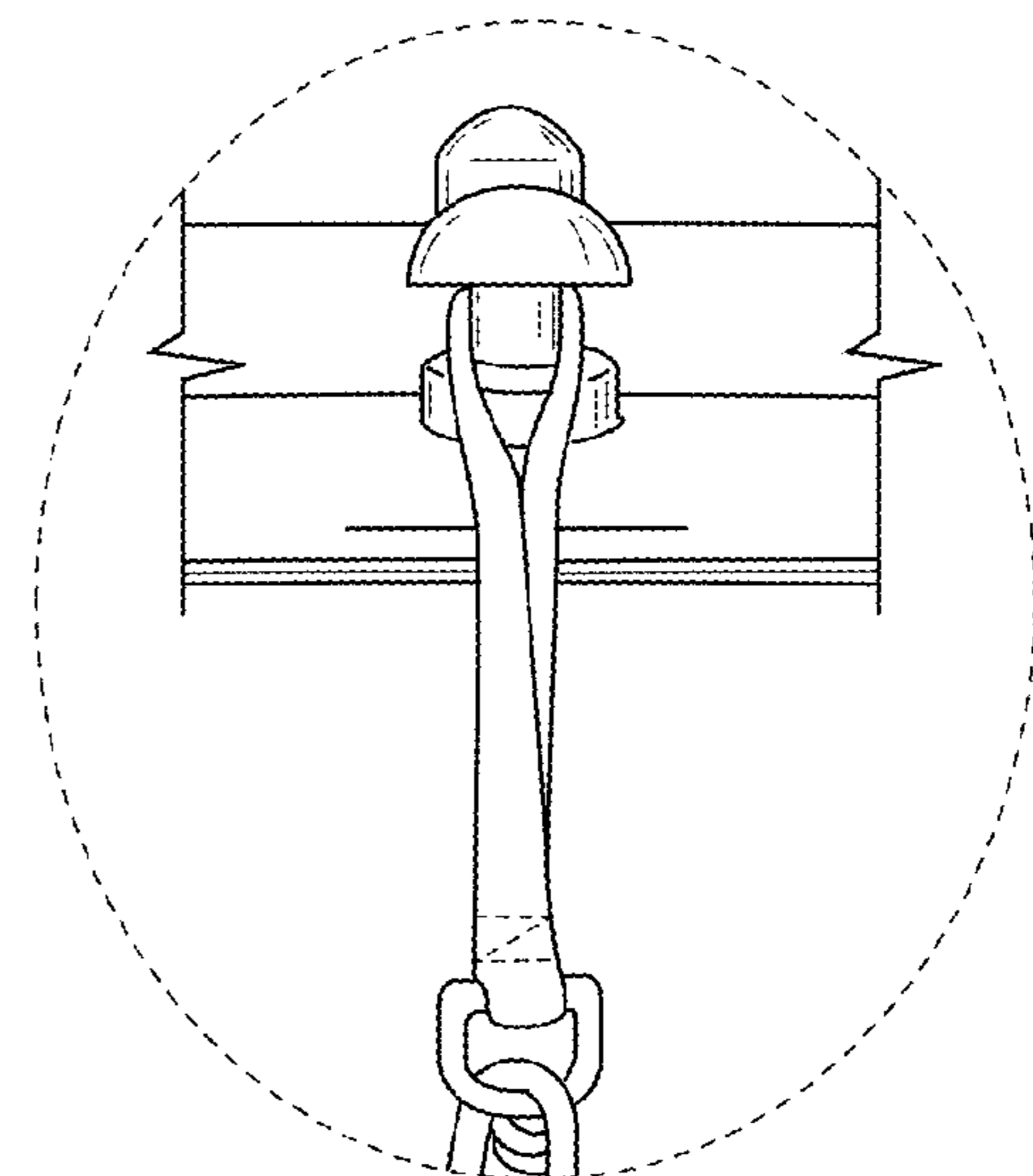
**FIG. 9**



**FIG. 10**



**FIG. 11**



**FIG. 12**

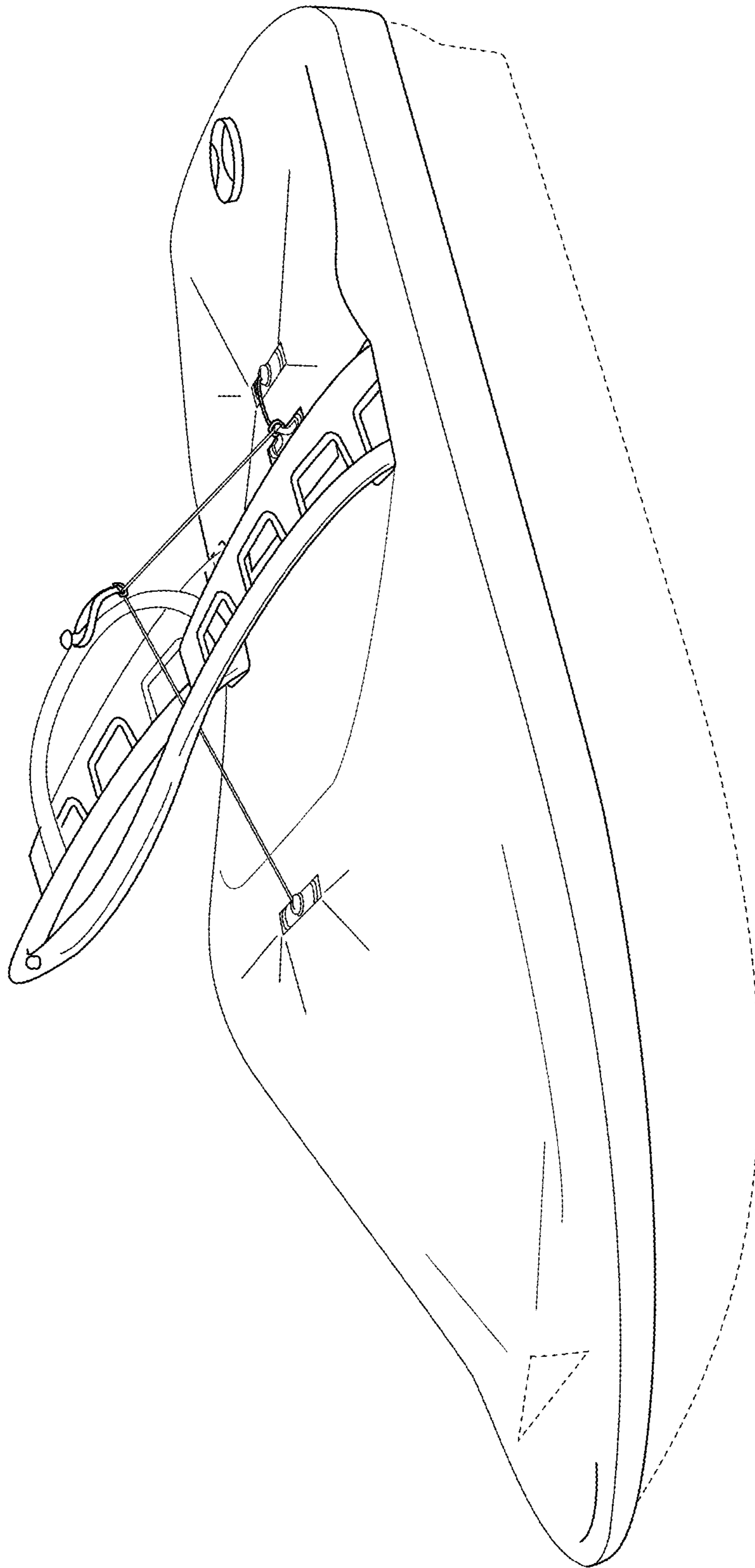
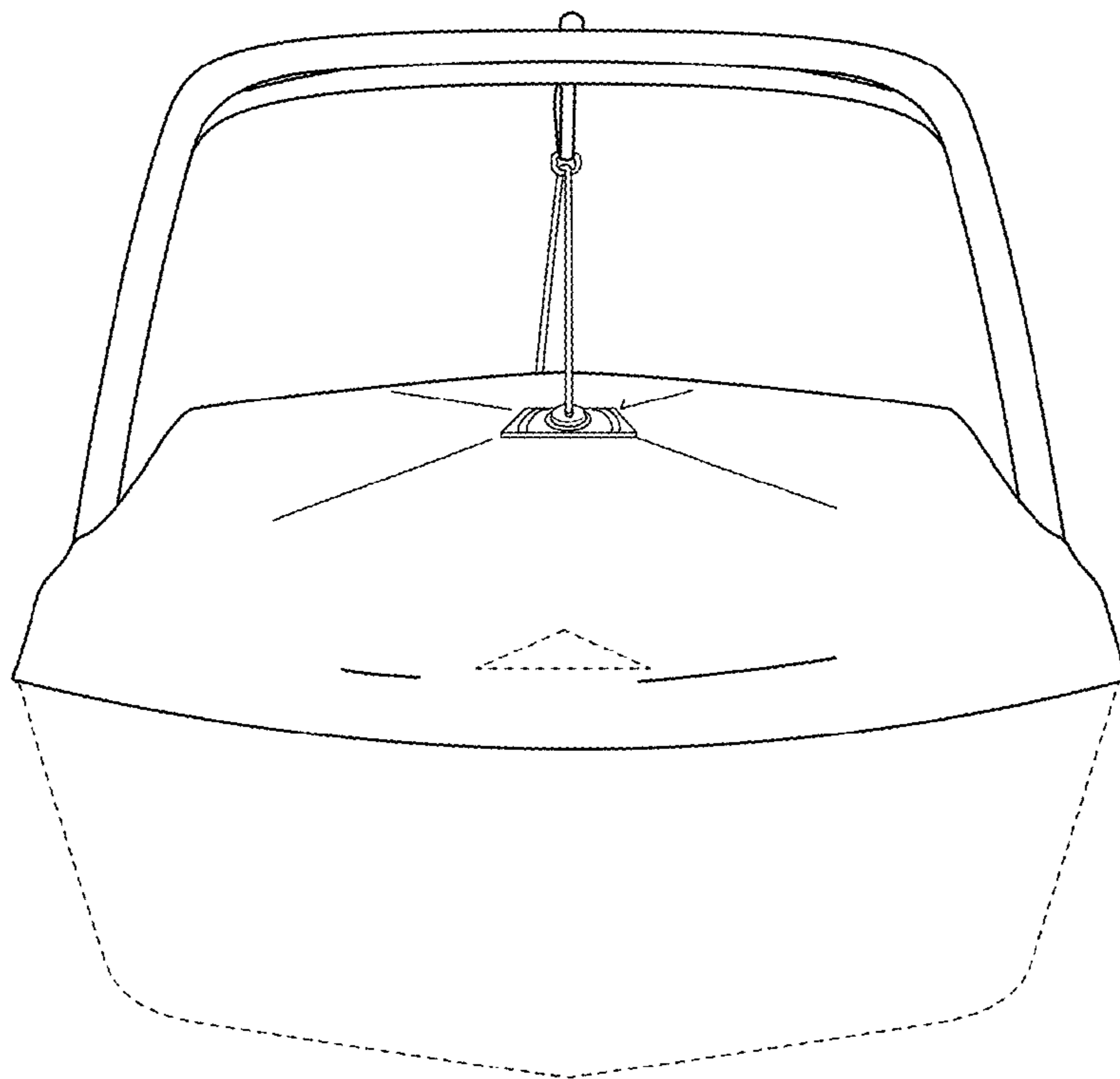
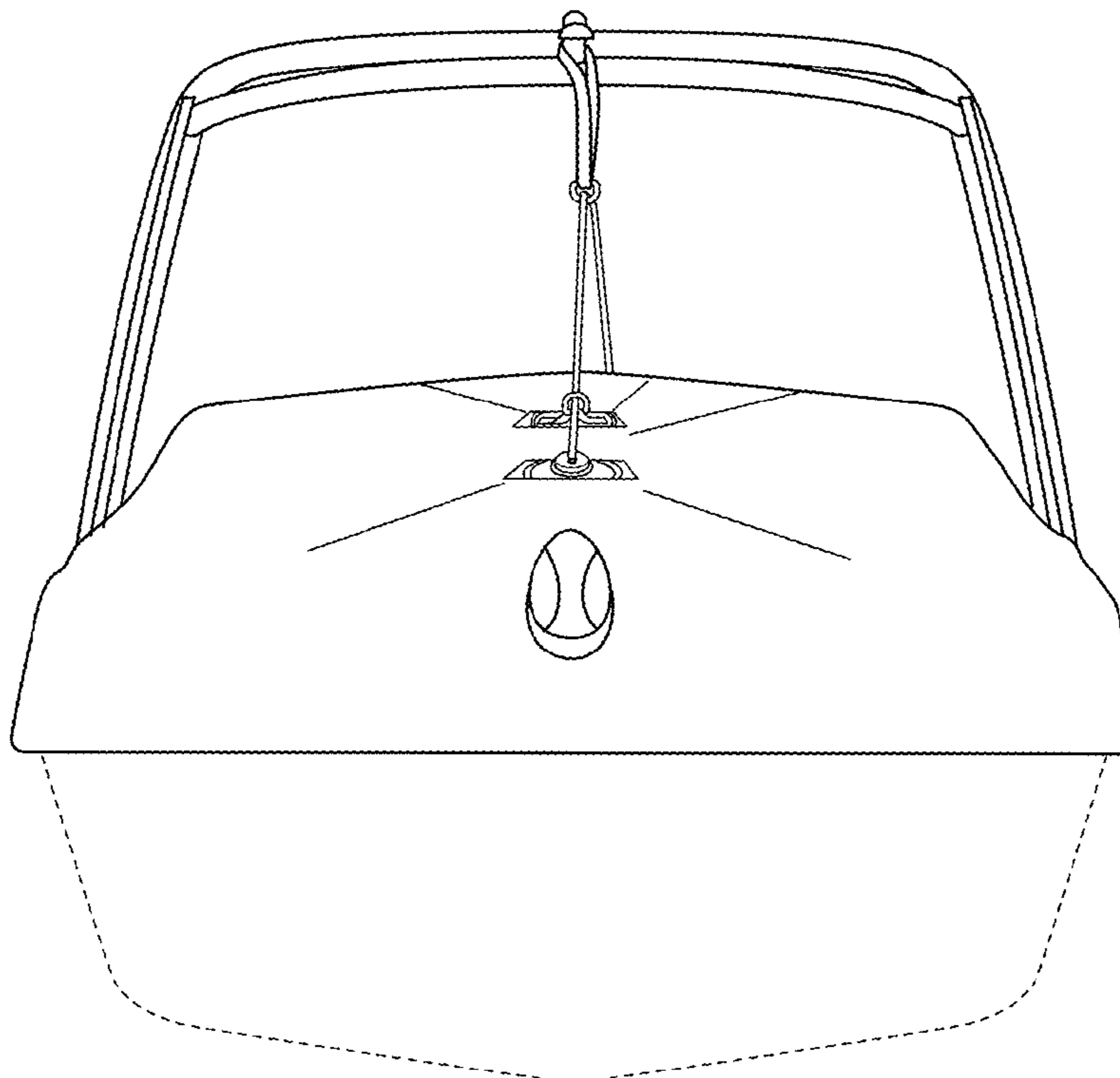


FIG. 13



**FIG. 14**



**FIG. 15**

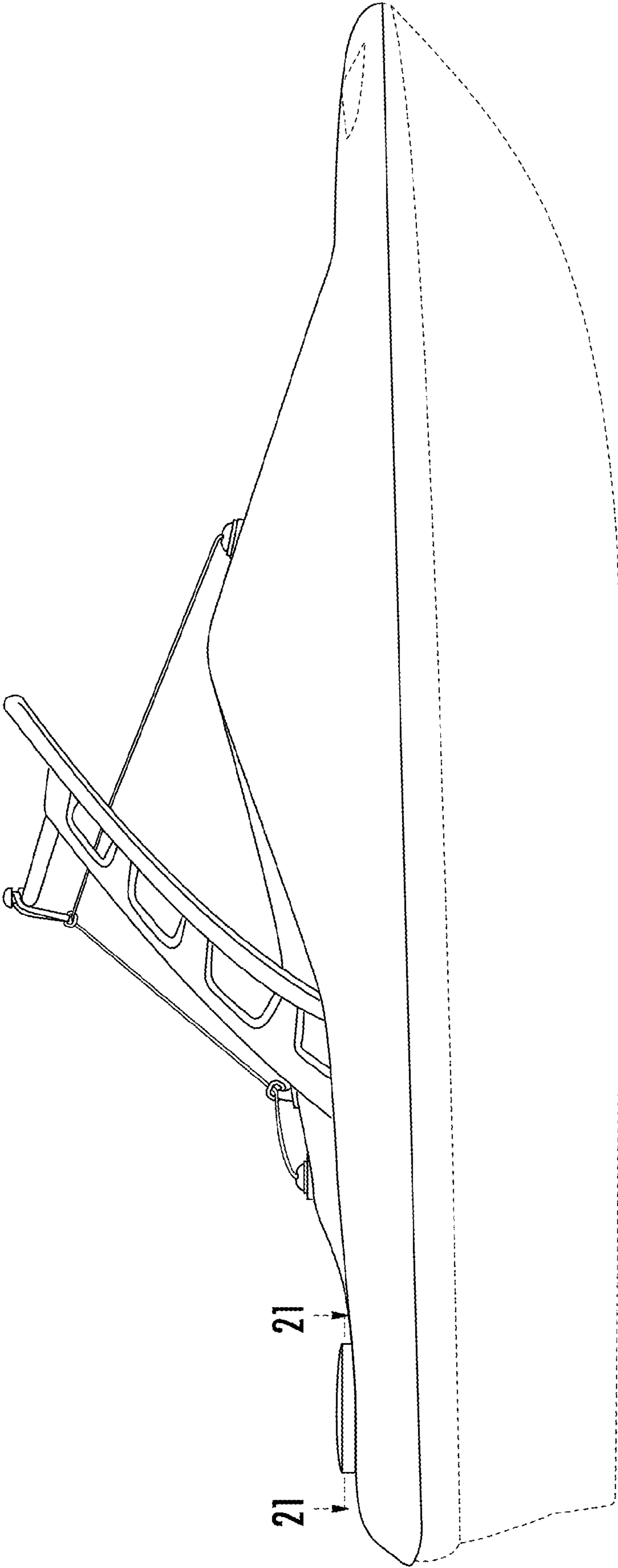


FIG. 16

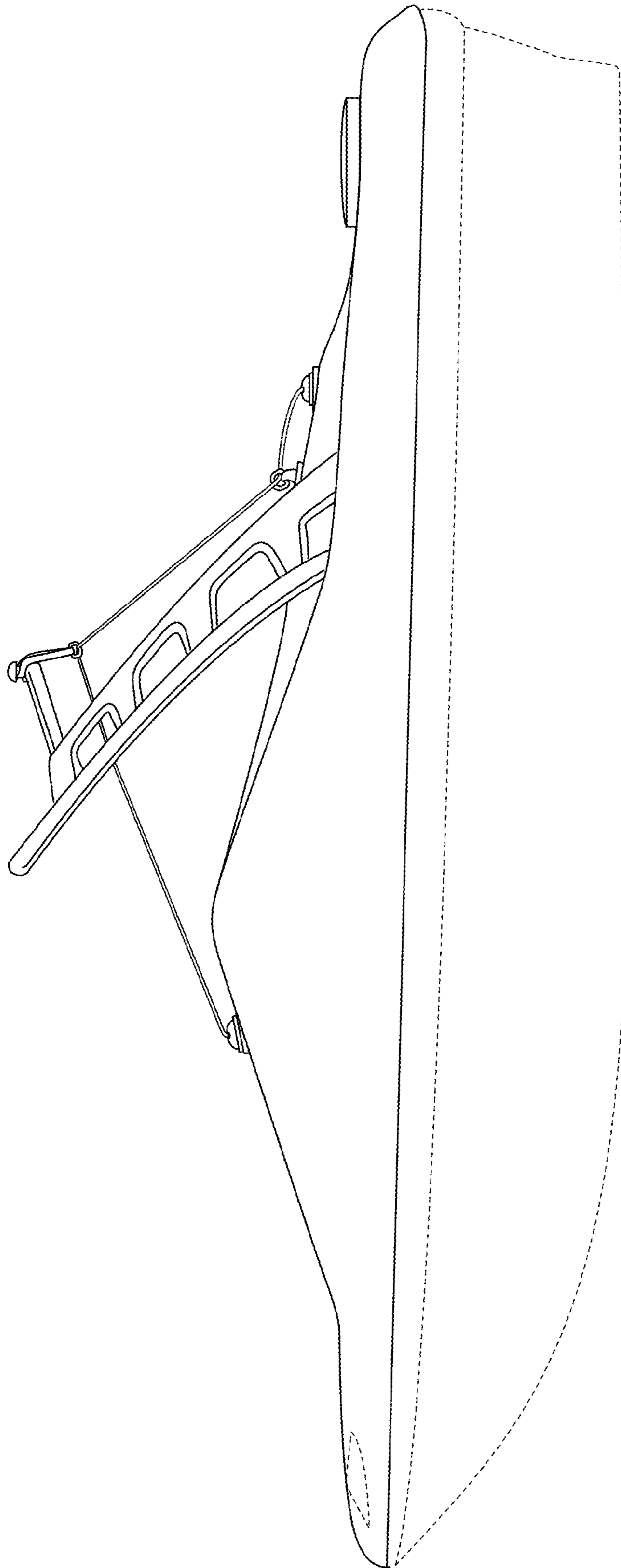
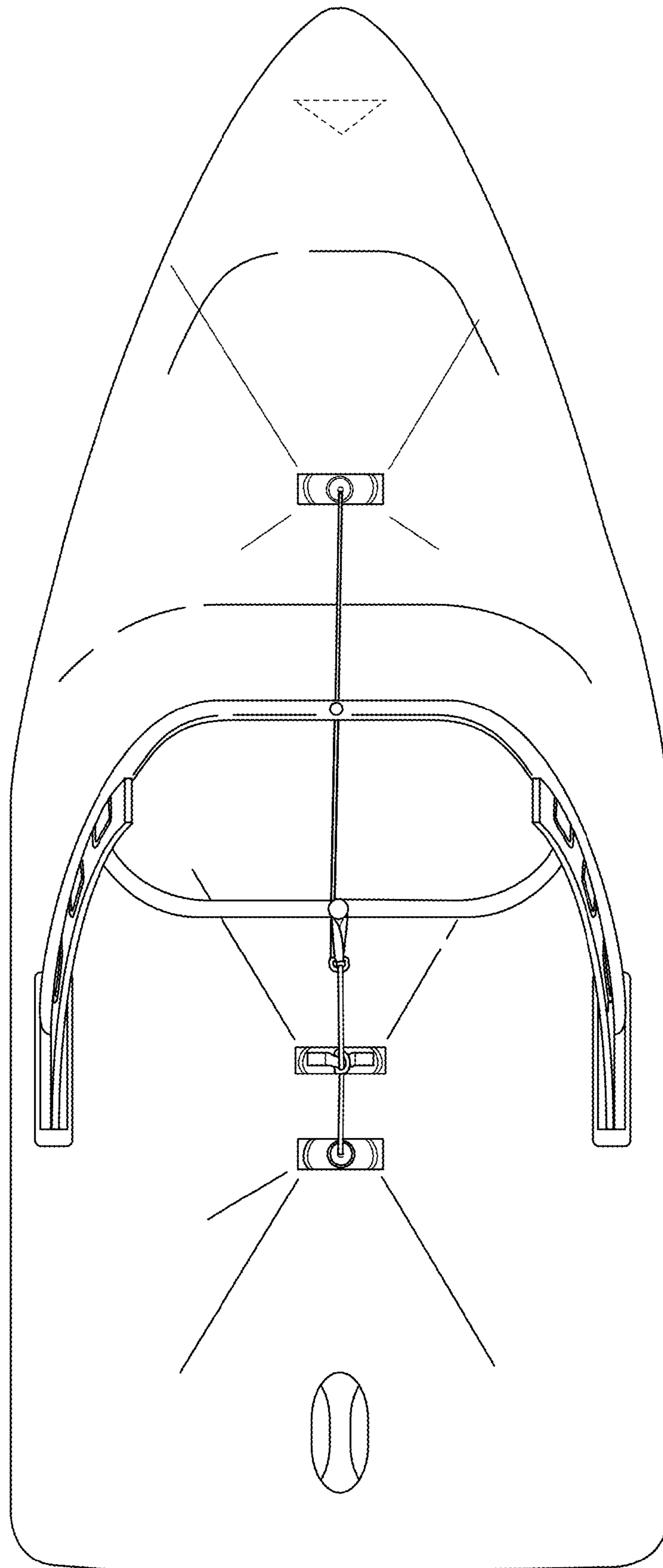
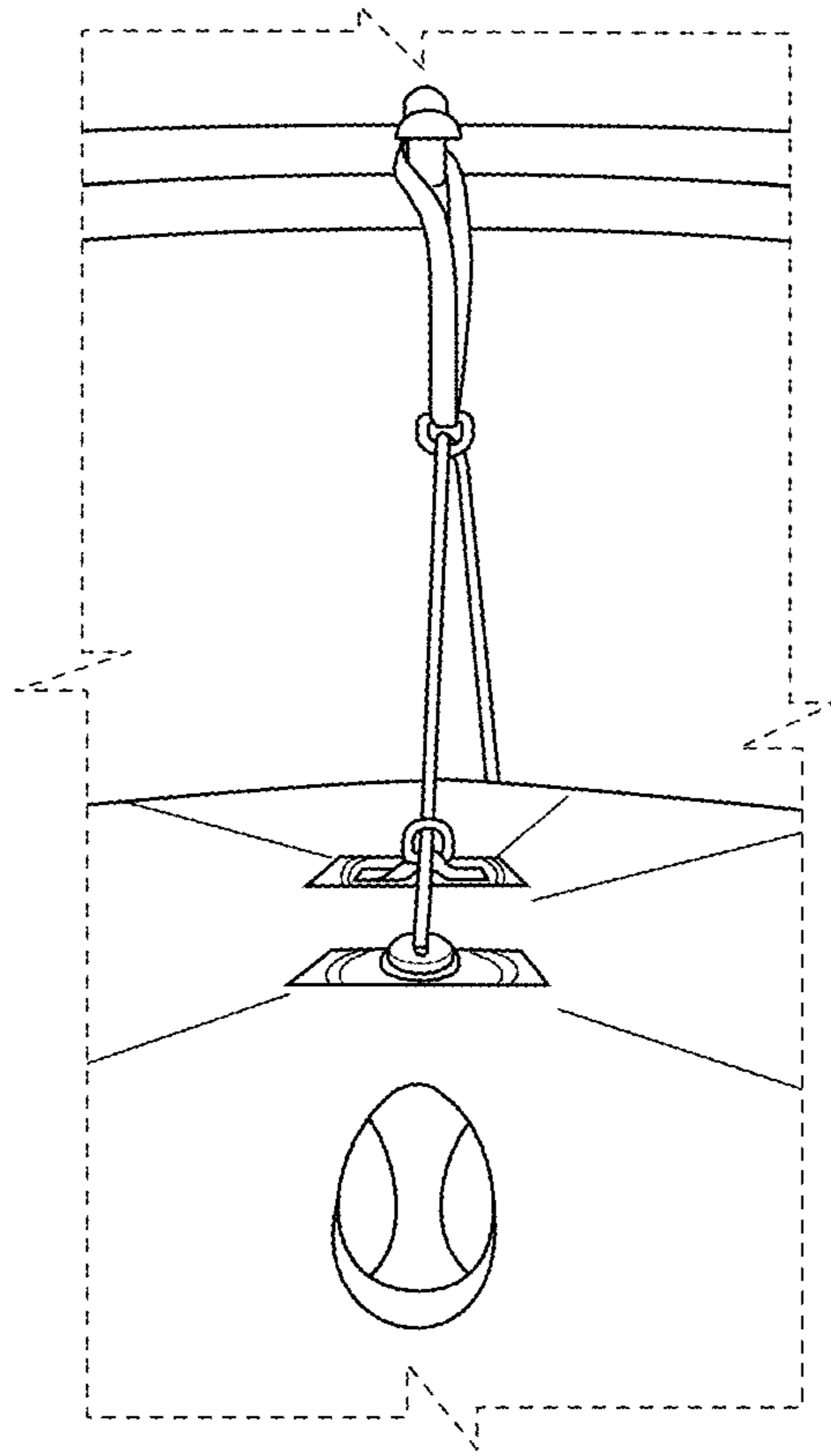


FIG. 17

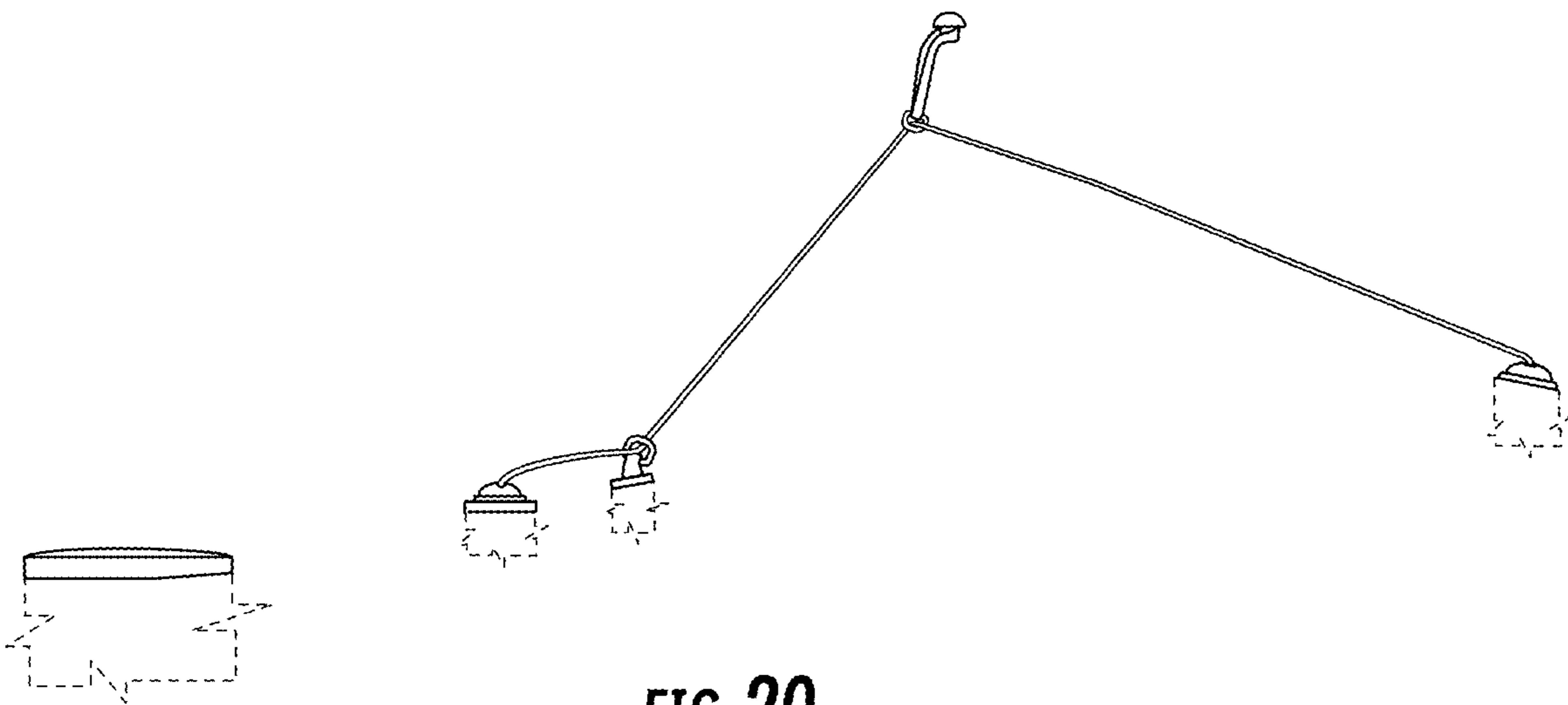


**FIG. 18**

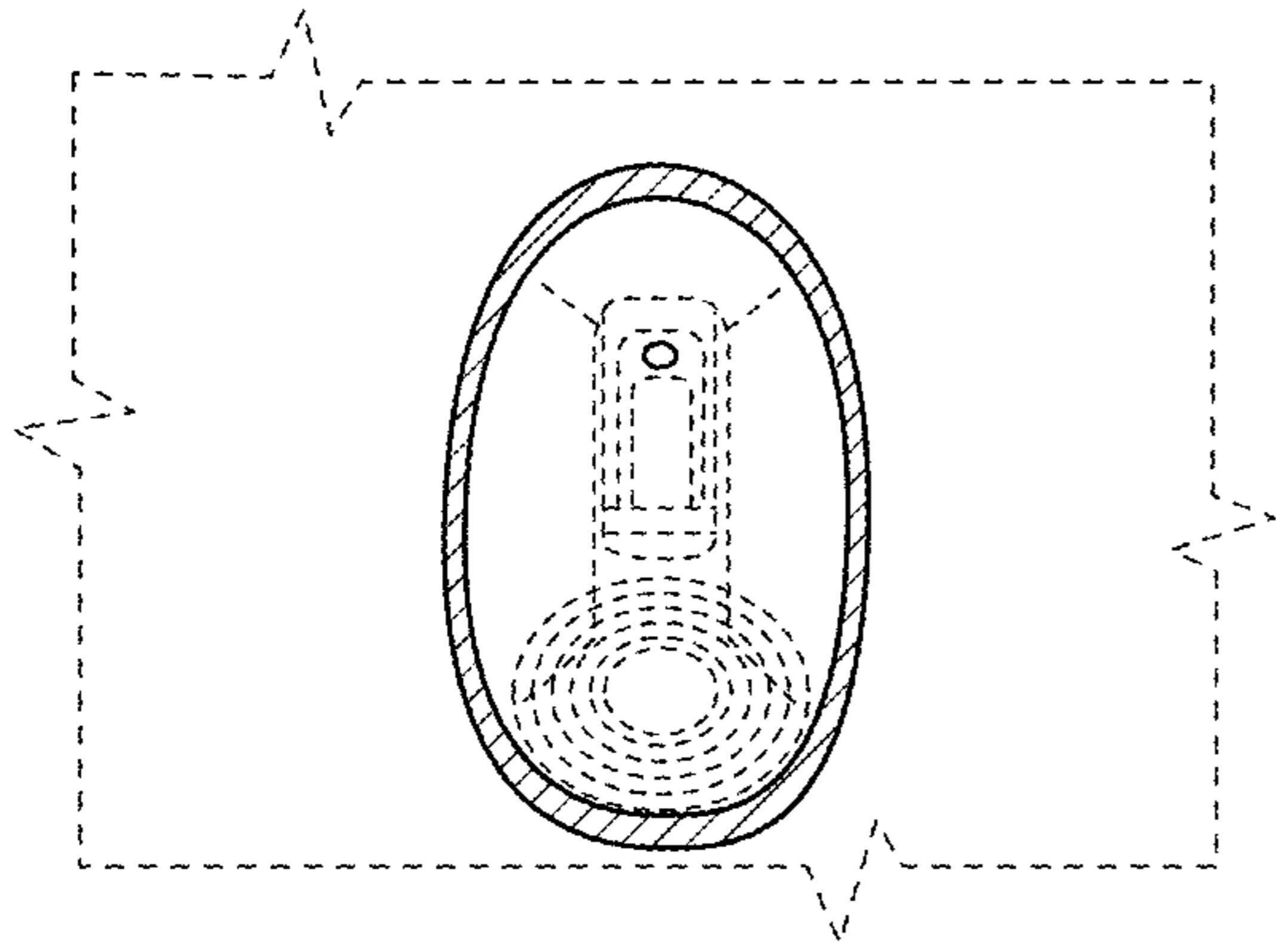




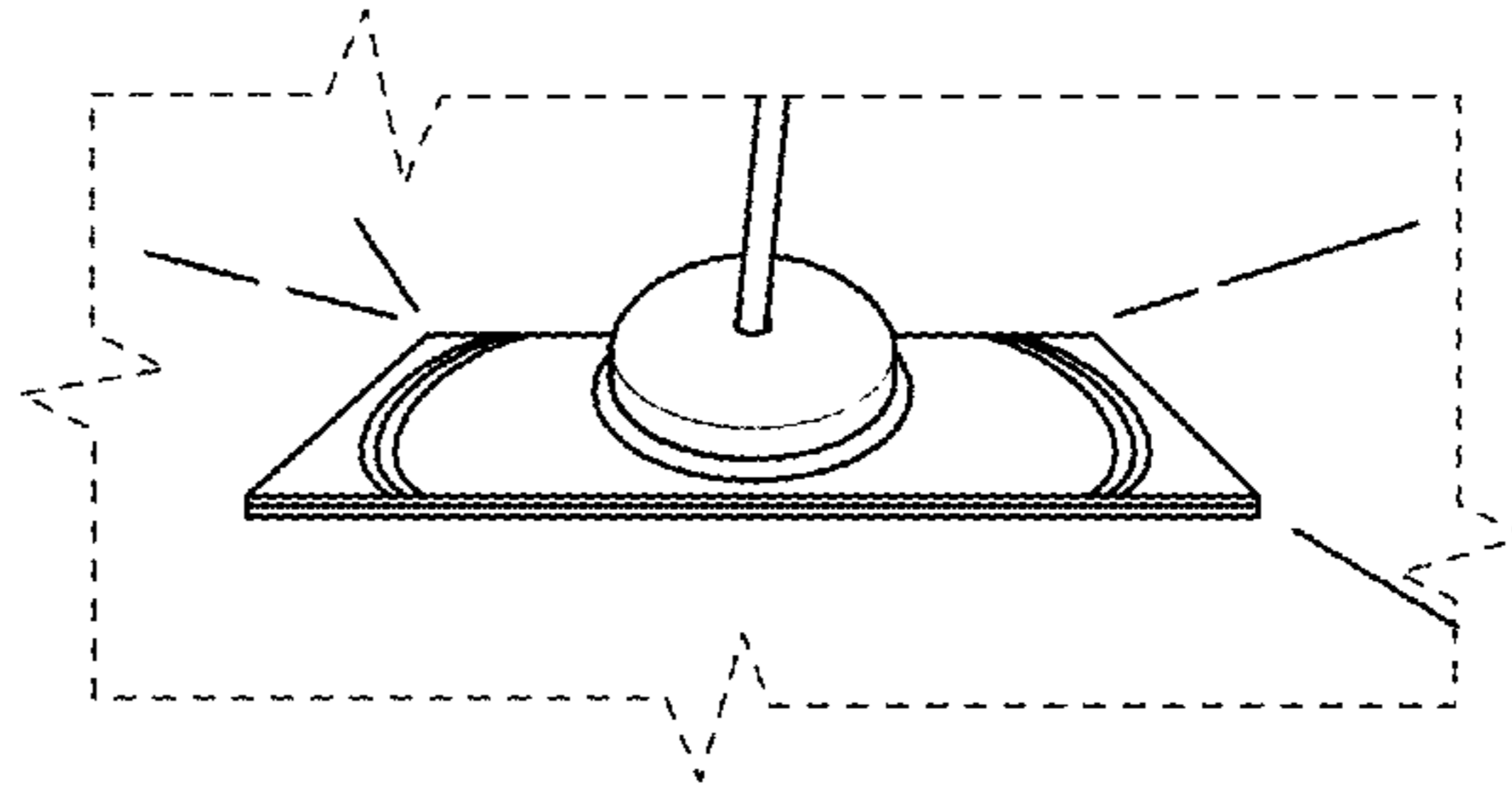
**FIG. 19**



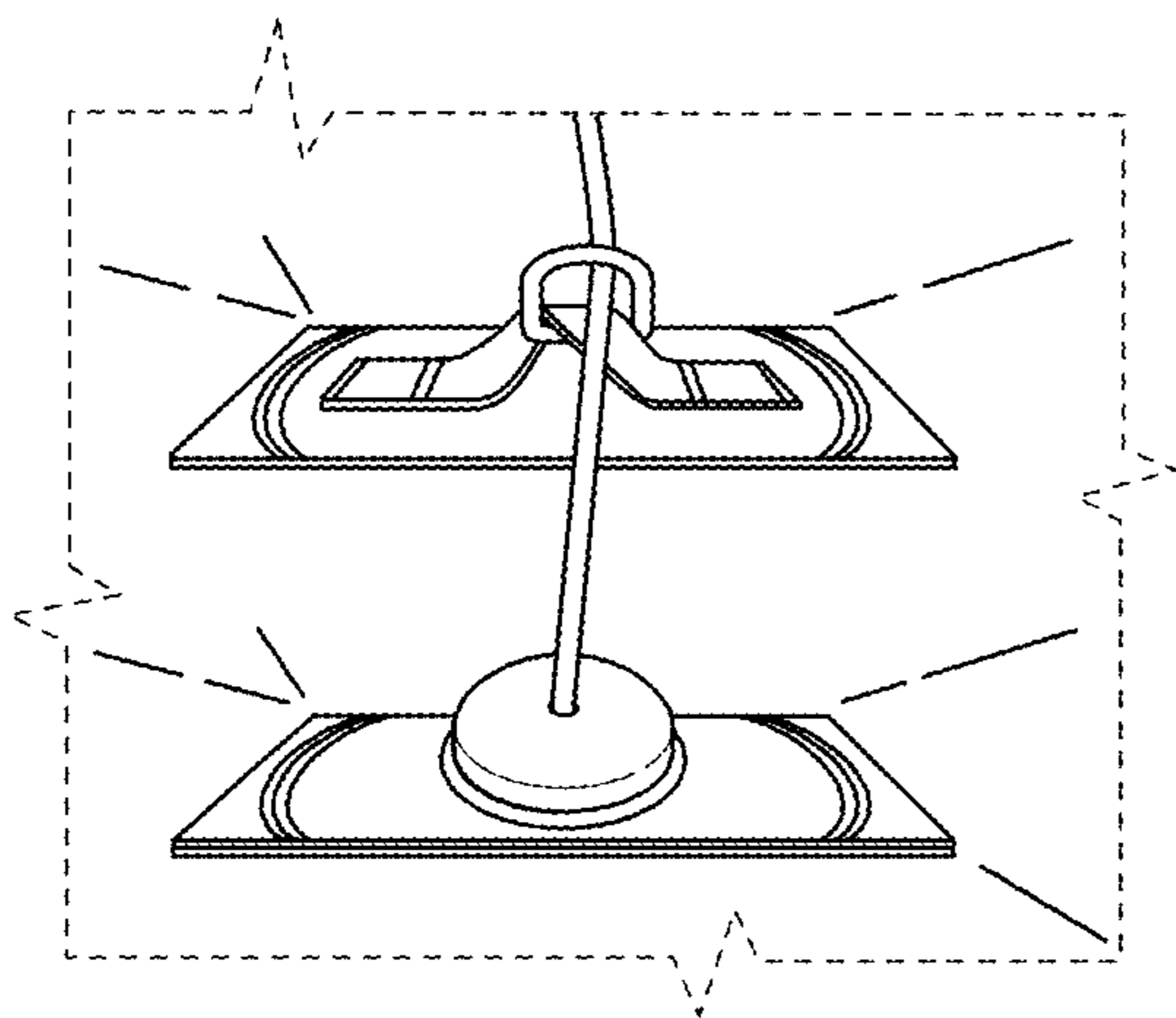
**FIG. 20**



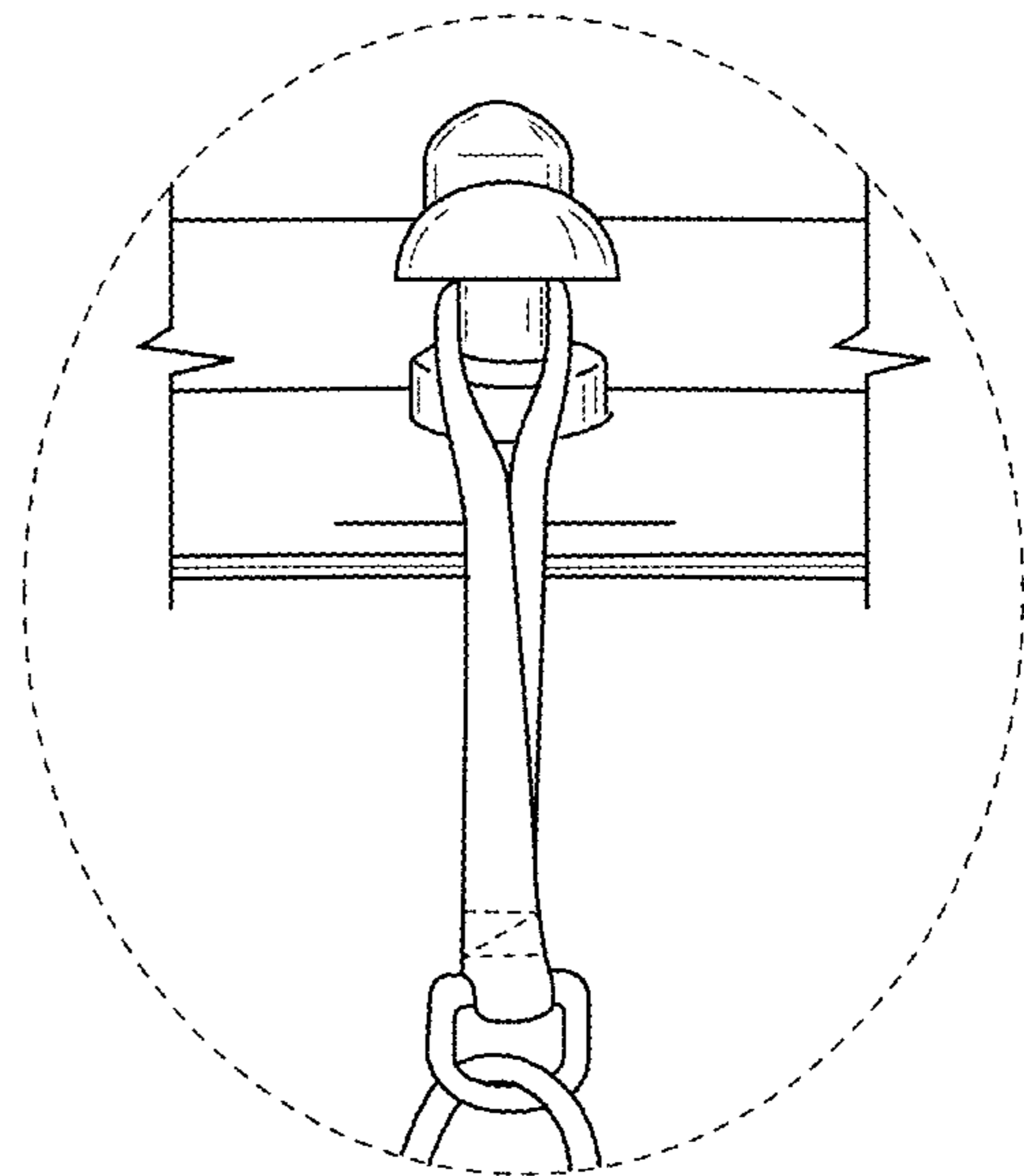
**FIG. 21**



**FIG. 22**



**FIG. 23**



**FIG. 24**