



US00D932407S

(12) **United States Design Patent** (10) **Patent No.:** **US D932,407 S**
Wu (45) **Date of Patent:** **** Oct. 5, 2021**

(54) **REAR BUMPER FOR AUTOMOBILE**

(71) Applicant: **Tianjin ICONIQ New Energy Vehicle Co., Ltd.**, Tianjin (CN)

(72) Inventor: **Nan Wu**, Tianjin (CN)

(73) Assignee: **Tianjin ICONIQ New Energy Vehicle Co., Ltd.**, Tianjin (CN)

(**) Term: **15 Years**

(21) Appl. No.: **29/712,054**

(22) Filed: **Nov. 5, 2019**

(30) **Foreign Application Priority Data**

May 5, 2019 (CN) 201930213585.9

(51) **LOC (13) Cl.** **12-16**

(52) **U.S. Cl.**
USPC **D12/196**

(58) **Field of Classification Search**
USPC D12/86, 90, 91, 92, 93, 163, 164, 166,
D12/167, 169, 171, 172, 173, 190, 196,
D12/216; D3/318

CPC B62D 24/02; B62D 25/00; B62D 25/003;
B62D 25/02; B62D 25/08; B62D
33/0273; B62D 33/03; B62D 33/037

See application file for complete search history.

(56) **References Cited**

U.S. PATENT DOCUMENTS

D698,717 S	*	2/2014	Kobayashi	D12/196
D714,701 S	*	10/2014	Mays	D12/196
D775,020 S	*	12/2016	Frykholm	D12/173
D826,125 S	*	8/2018	DiCanzio	D12/196
D852,698 S	*	7/2019	Greuer	D12/196
D877,014 S	*	3/2020	Harriton	D12/196
D908,570 S	*	1/2021	Zavatski	D12/196
D915,262 S	*	4/2021	Cenan	D12/196
D920,204 S	*	5/2021	Ruiz	D12/196

OTHER PUBLICATIONS

Bumpers. Design—© Questel) orbit.com. [Online PDF compilation of references selected by examiner] 32 pgs. Print Dates Range Aug. 19, 2020-Dec. 22, 2020 [Retrieved Jun. 15, 2021].*

“World Intelligence Congress: Spotlight on Smart Tech.” May 17, 2019. China Daily, https://www.chinadaily.com.cn/a/201905/17/WS5cde27bba3104842260bc447_2.html (Year: 2019).*

Kreetzer, Alex. “Creating an Icon—President of ICONIQ Motors Presents His Vision.” Jun. 9, 2019. Auto Futures, <https://www.autofutures.tv/2019/06/09/creating-an-icon-president-of-iconiq-motors/> (Year: 2019).*

“This is the New ICONIQ Muse.” Apr. 29, 2019. Car News China, <https://www.facebook.com/carnewschina/posts/this-is-the-new-iconiq-museiconiq-is-a-new-ev-brand-from-china-with-close-ties-t/2432321216800559/> (Year: 2019).*

* cited by examiner

Primary Examiner — Brett Miller

Assistant Examiner — Suzanne E Tisdell

(74) *Attorney, Agent, or Firm* — Kacvinsky Daisak Bluni PLLC

(57) **CLAIM**

The ornamental design for a rear bumper for automobile, as shown and described.

DESCRIPTION

FIG. 1 is a front view of the design for a rear bumper for automobile;

FIG. 2 is a rear view thereof;

FIG. 3 is a left view thereof;

FIG. 4 is a right view thereof;

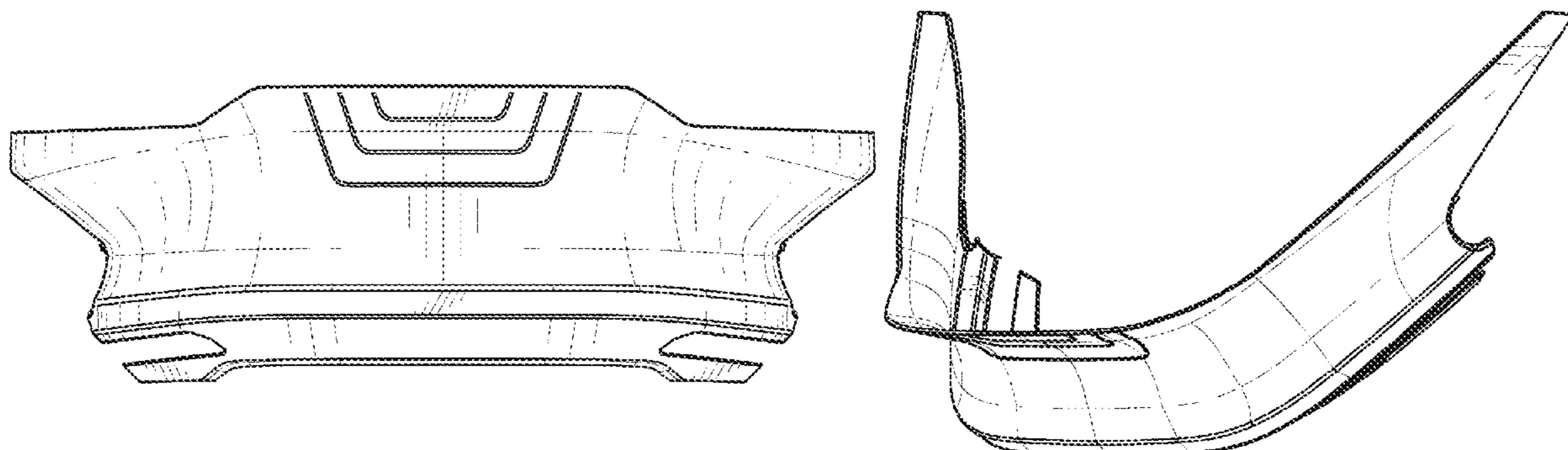
FIG. 5 is a top view thereof;

FIG. 6 is a bottom view thereof;

FIG. 7 is a perspective view thereof; and,

FIG. 8 is another perspective view thereof.

1 Claim, 4 Drawing Sheets



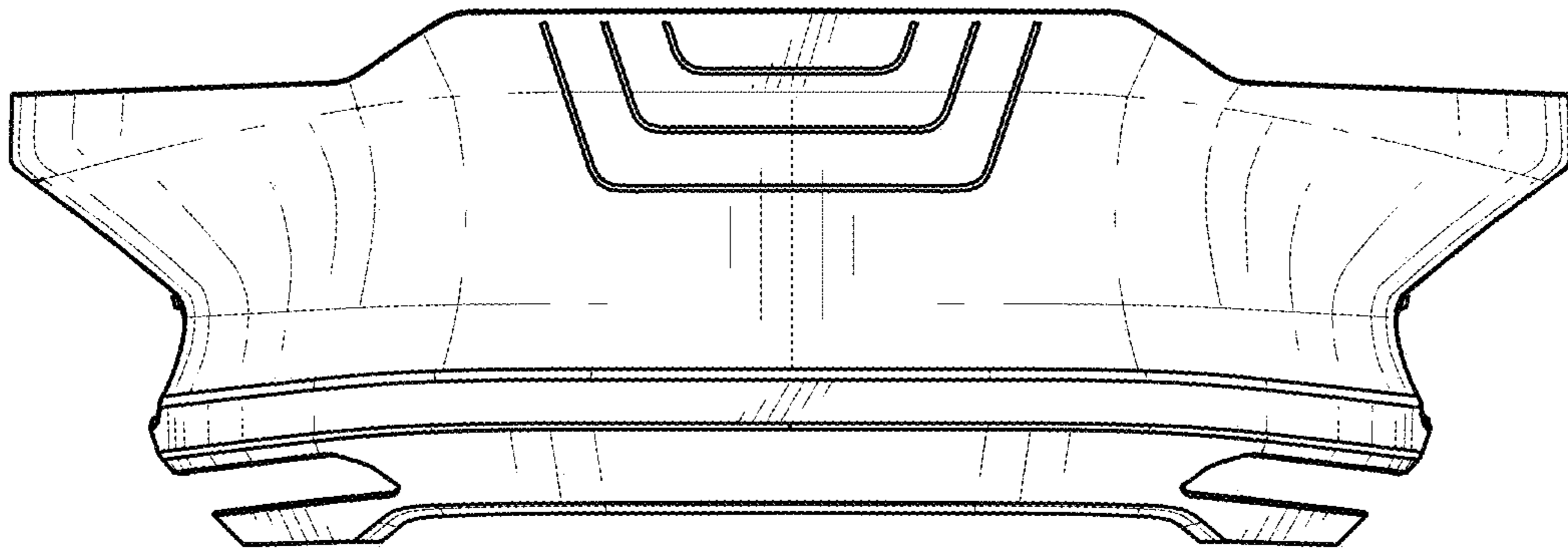


FIG. 1

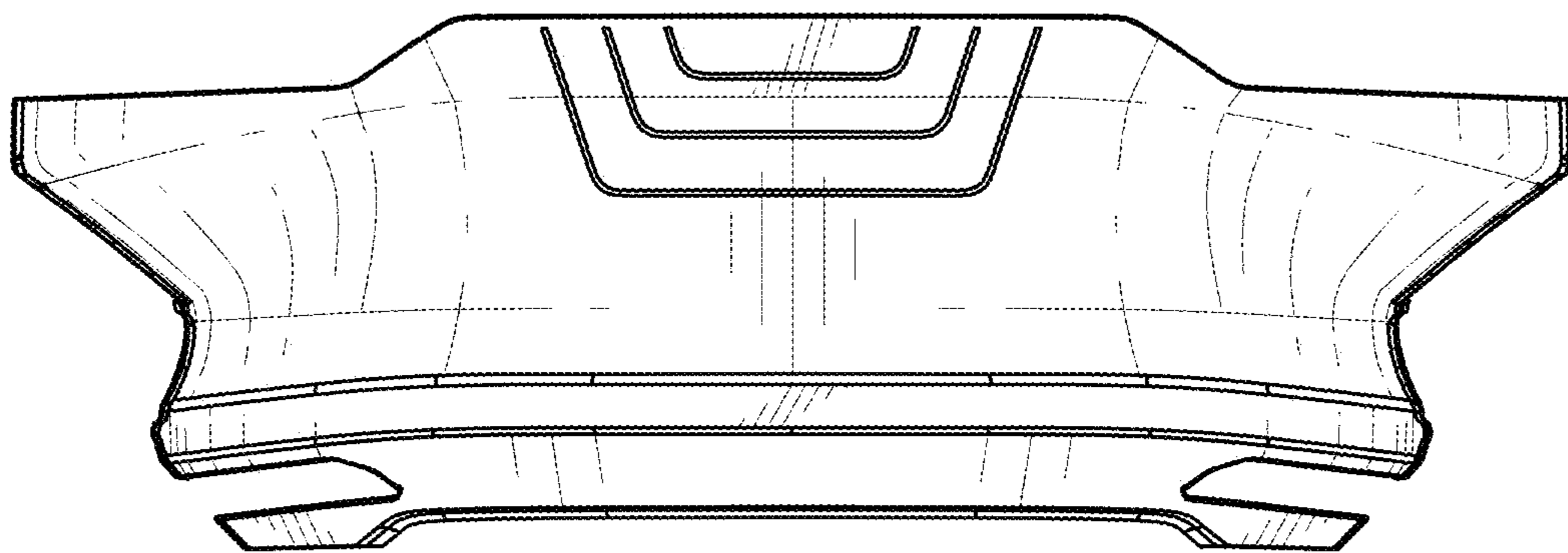


FIG. 2

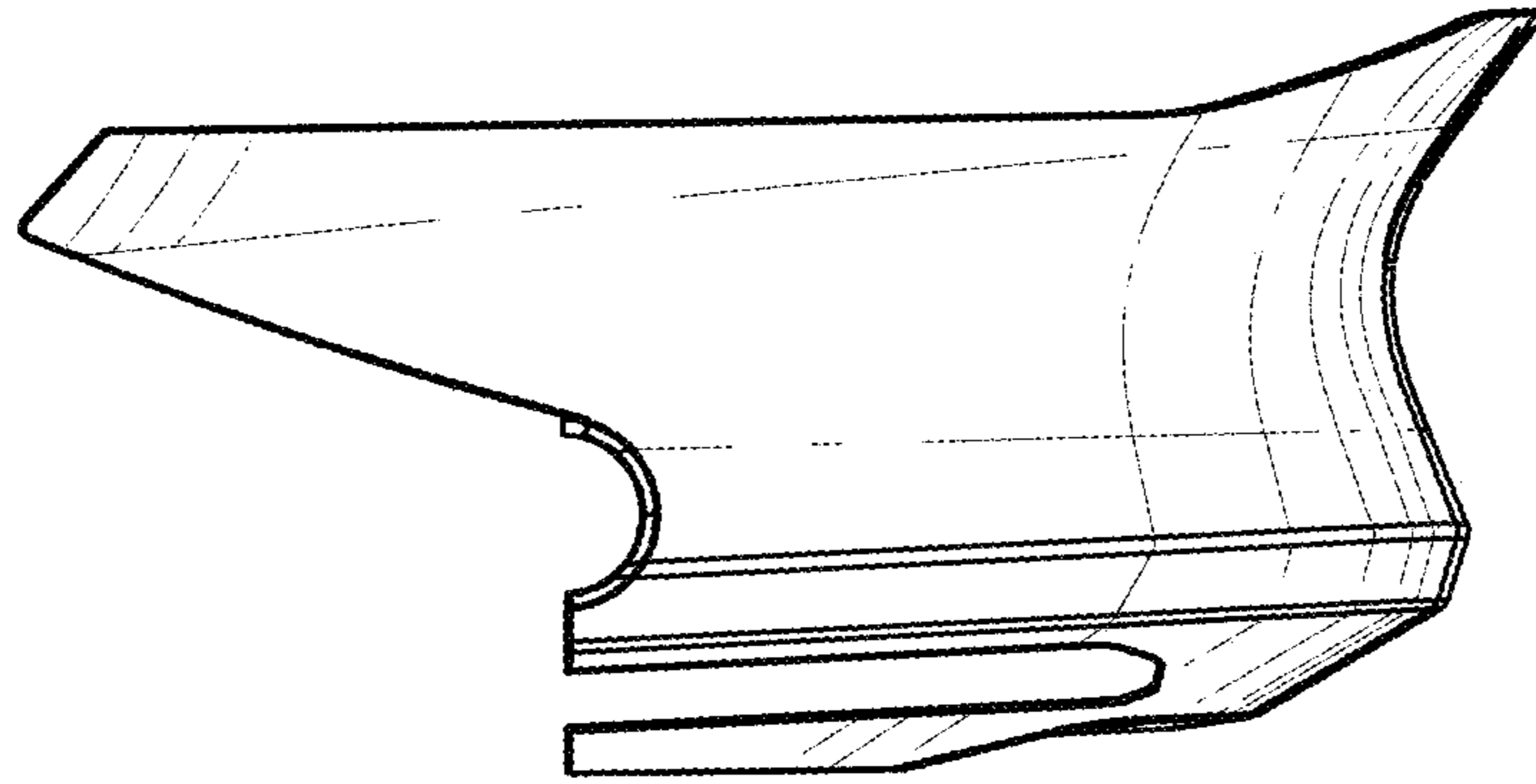


FIG.3

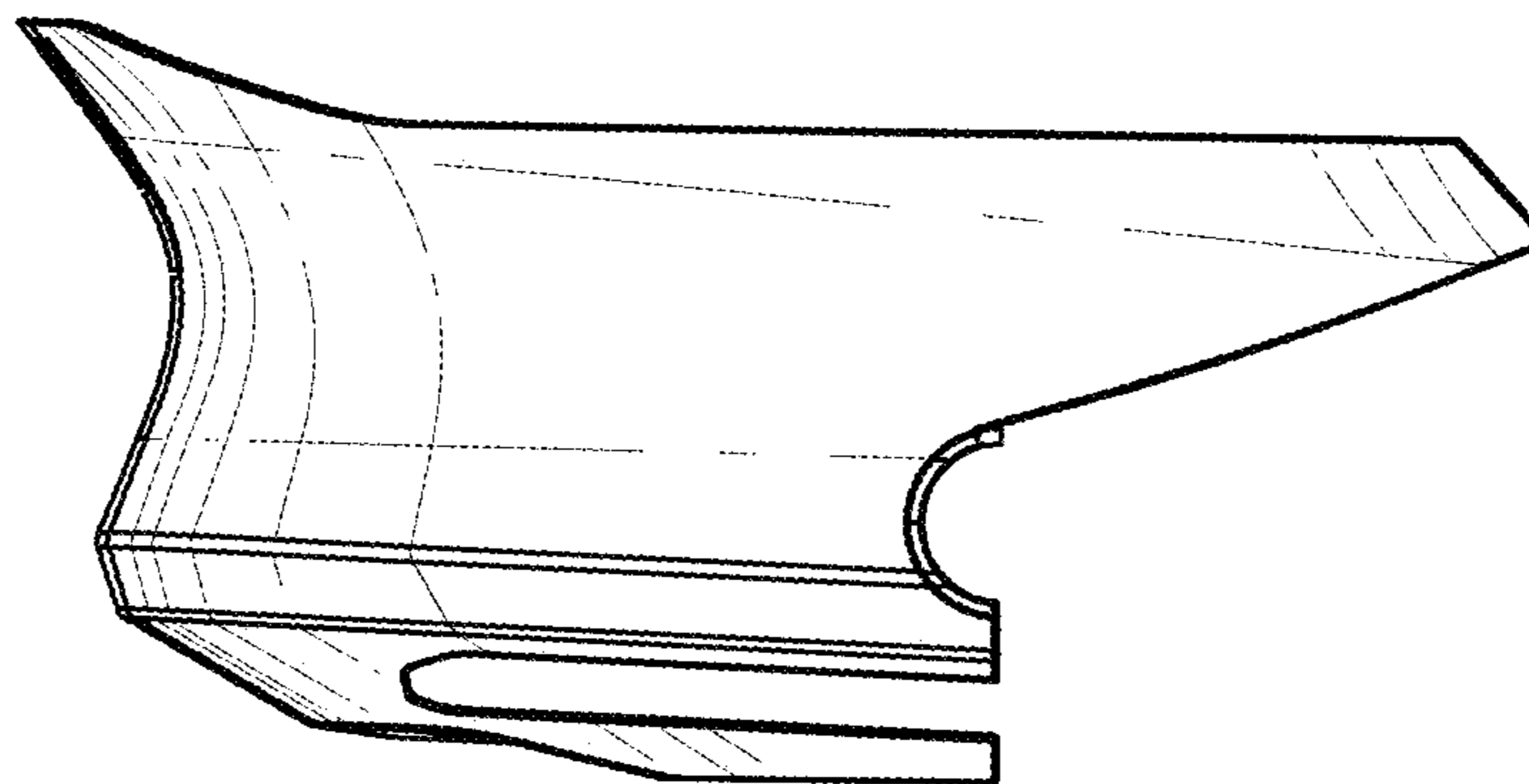


FIG.4

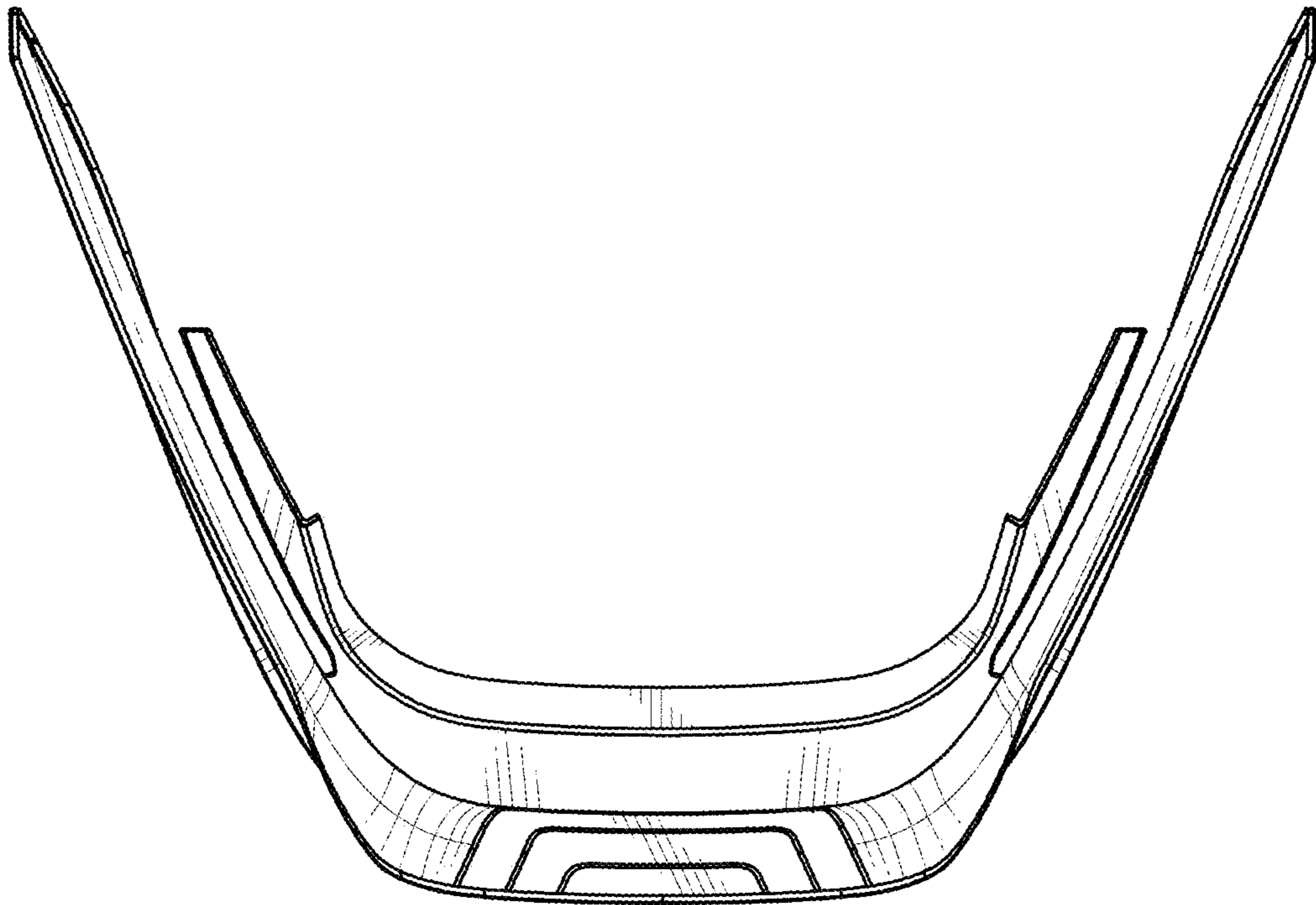


FIG. 5

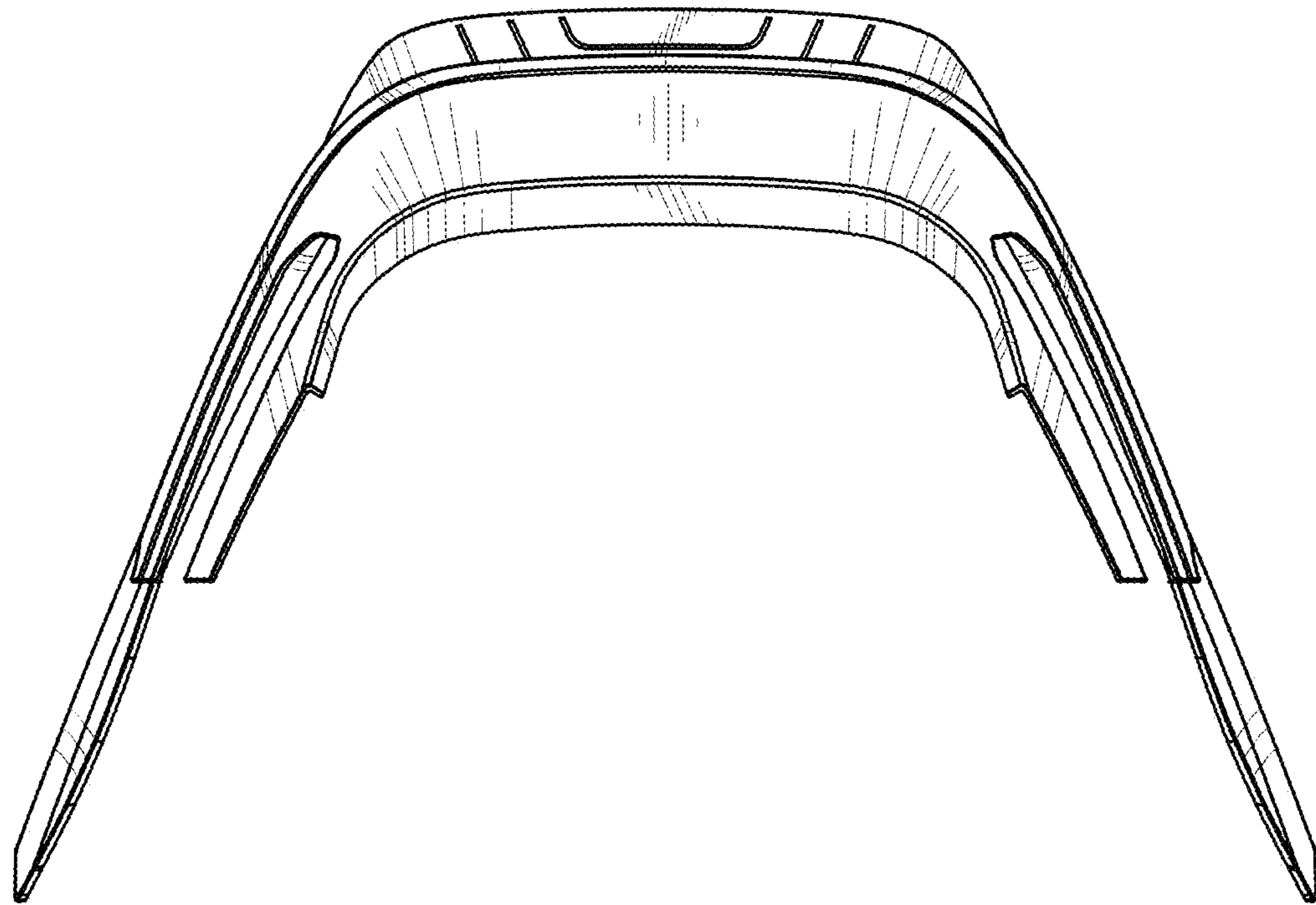


FIG. 6

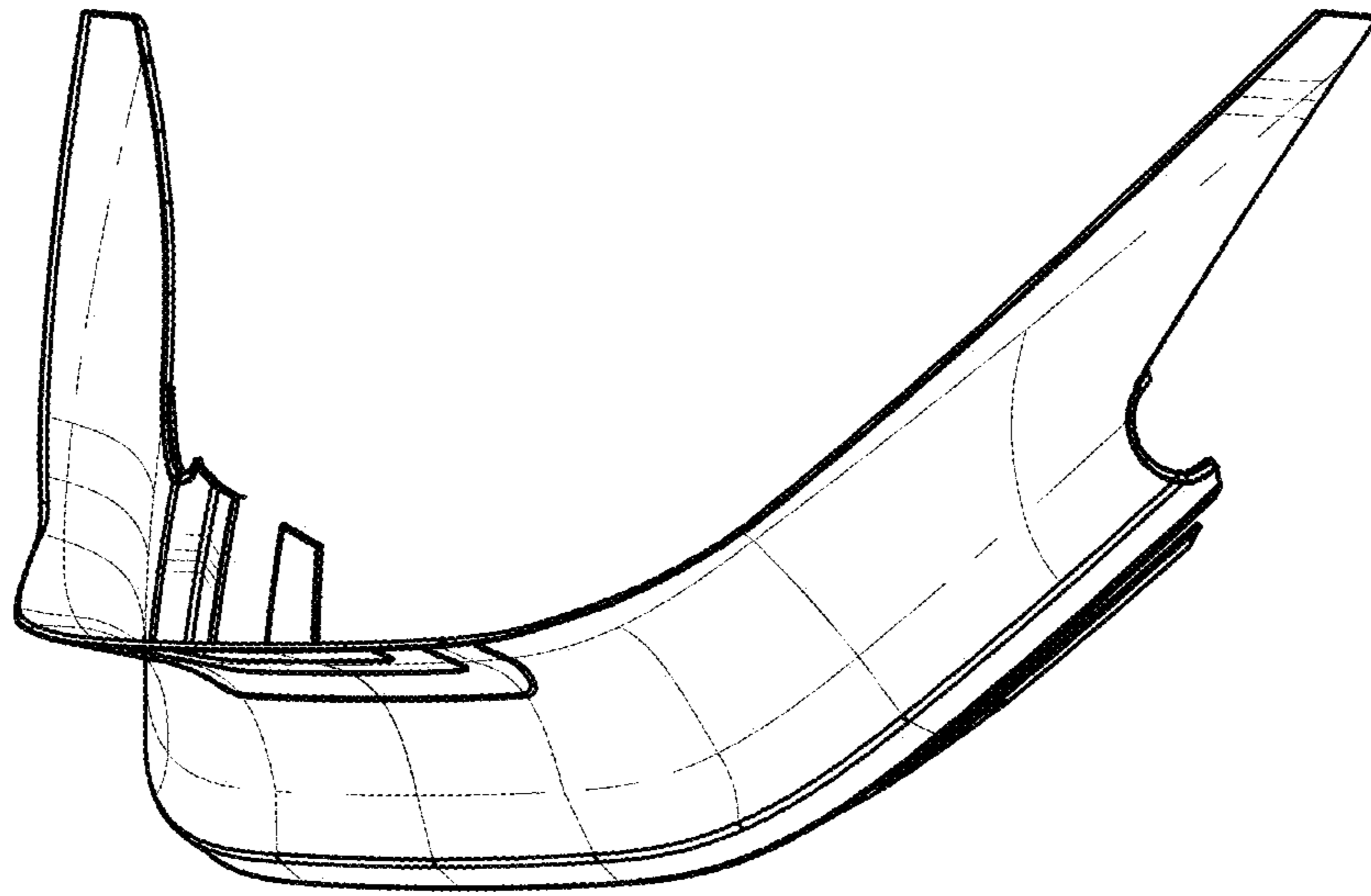


FIG. 7

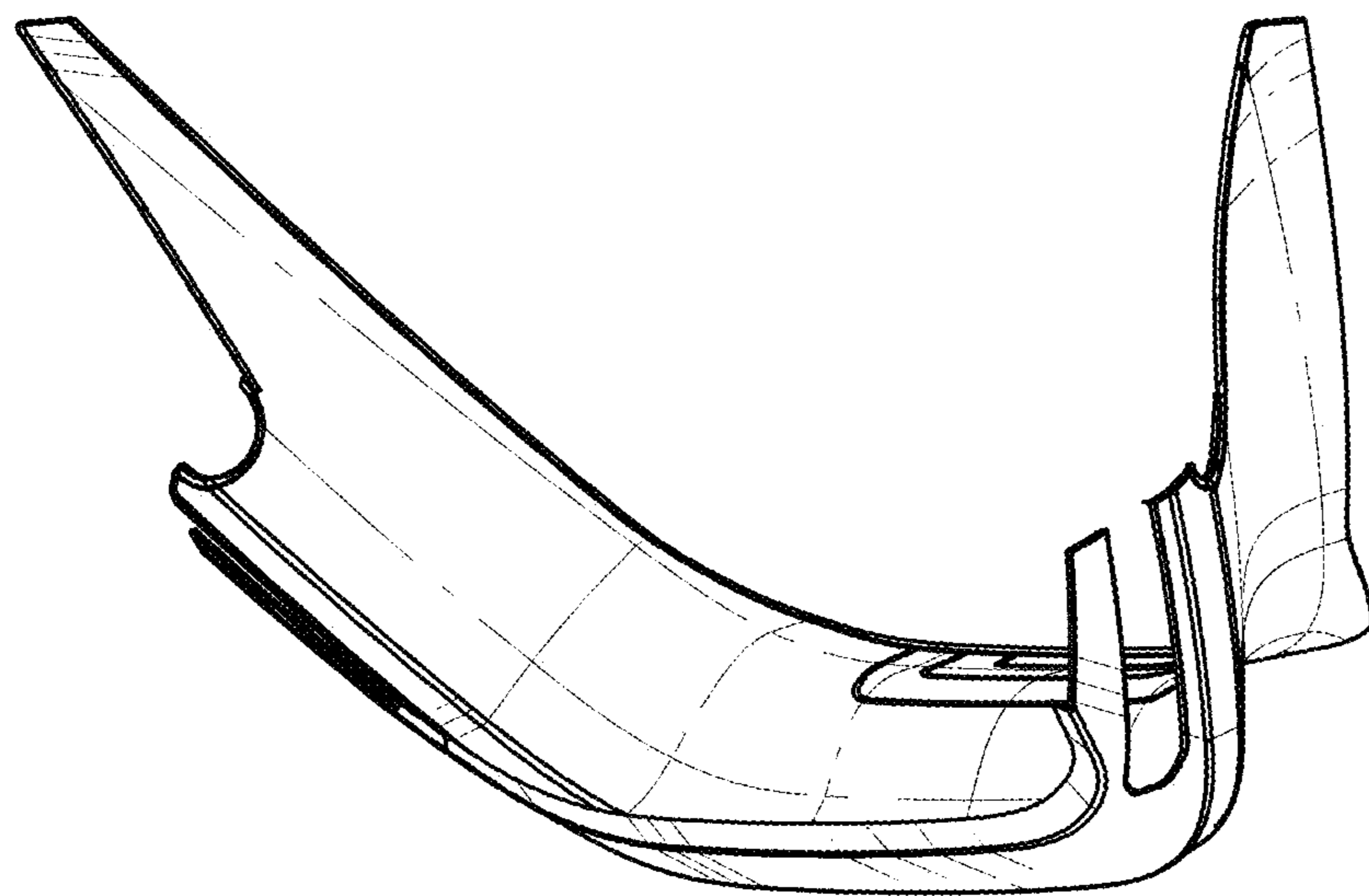


FIG. 8