



US00D932406S

(12) **United States Design Patent** (10) **Patent No.:** **US D932,406 S**  
**Michaud-Thibault et al.** (45) **Date of Patent:** **\*\* Oct. 5, 2021**

(54) **DRAINAGE DEVICE FOR A VEHICLE**  
(71) Applicant: **9372-9895 Québec inc.**, Pierreville (CA)  
(72) Inventors: **Alexandre Michaud-Thibault**, Granby (CA); **Yannick Desmarais**, Pierreville (CA)  
(73) Assignee: **9372-9895 Quebec Inc.**, Pierreville (CA)

D488,758 S \* 4/2004 Gough ..... D12/196  
D495,645 S \* 9/2004 Hall ..... D12/196  
D542,199 S \* 5/2007 Acton ..... D12/184  
D552,532 S \* 10/2007 Brockington ..... D12/400  
D584,206 S \* 1/2009 Mikami ..... D12/184  
7,879,424 B2 \* 2/2011 Smith ..... B60R 13/0243  
296/1.08  
D646,613 S \* 10/2011 Medina ..... D12/196  
D653,186 S \* 1/2012 Beigel ..... D12/196  
8,282,145 B2 \* 10/2012 Vasko ..... B60R 13/02  
296/1.08  
2010/0183841 A1 \* 7/2010 Mally ..... B29C 44/1257  
428/138

(\*\*) Term: **15 Years**

\* cited by examiner

(21) Appl. No.: **29/667,205**

*Primary Examiner* — Darlington Ly

(22) Filed: **Oct. 19, 2018**

(74) *Attorney, Agent, or Firm* — Norton Rose Fulbright Canada LLP

(30) **Foreign Application Priority Data**

(57) **CLAIM**

Apr. 19, 2018 (CA) ..... CA 180969

The ornamental design for a drainage device for a vehicle, as shown and described.

(51) **LOC (13) Cl.** ..... **12-16**

**DESCRIPTION**

(52) **U.S. Cl.**  
USPC ..... **D12/196**

(58) **Field of Classification Search**  
USPC ..... D12/90-92, 107, 126, 167, 184, 190, D12/196, 223, 400  
CPC ..... B62D 25/02; B62D 25/16; B62D 25/161; B62D 25/168; B62D 25/18; B62D 25/184  
See application file for complete search history.

FIG. 1 is a perspective view of the drainage device for a vehicle showing our new design;  
FIG. 2 is a front elevation view thereof;  
FIG. 3 is a right side elevation view thereof, to which the left side elevation view is a mirror image;  
FIG. 4 is a rear elevation view thereof;  
FIG. 5 is a top plan view thereof; and,  
FIG. 6 is a bottom plan view thereof.

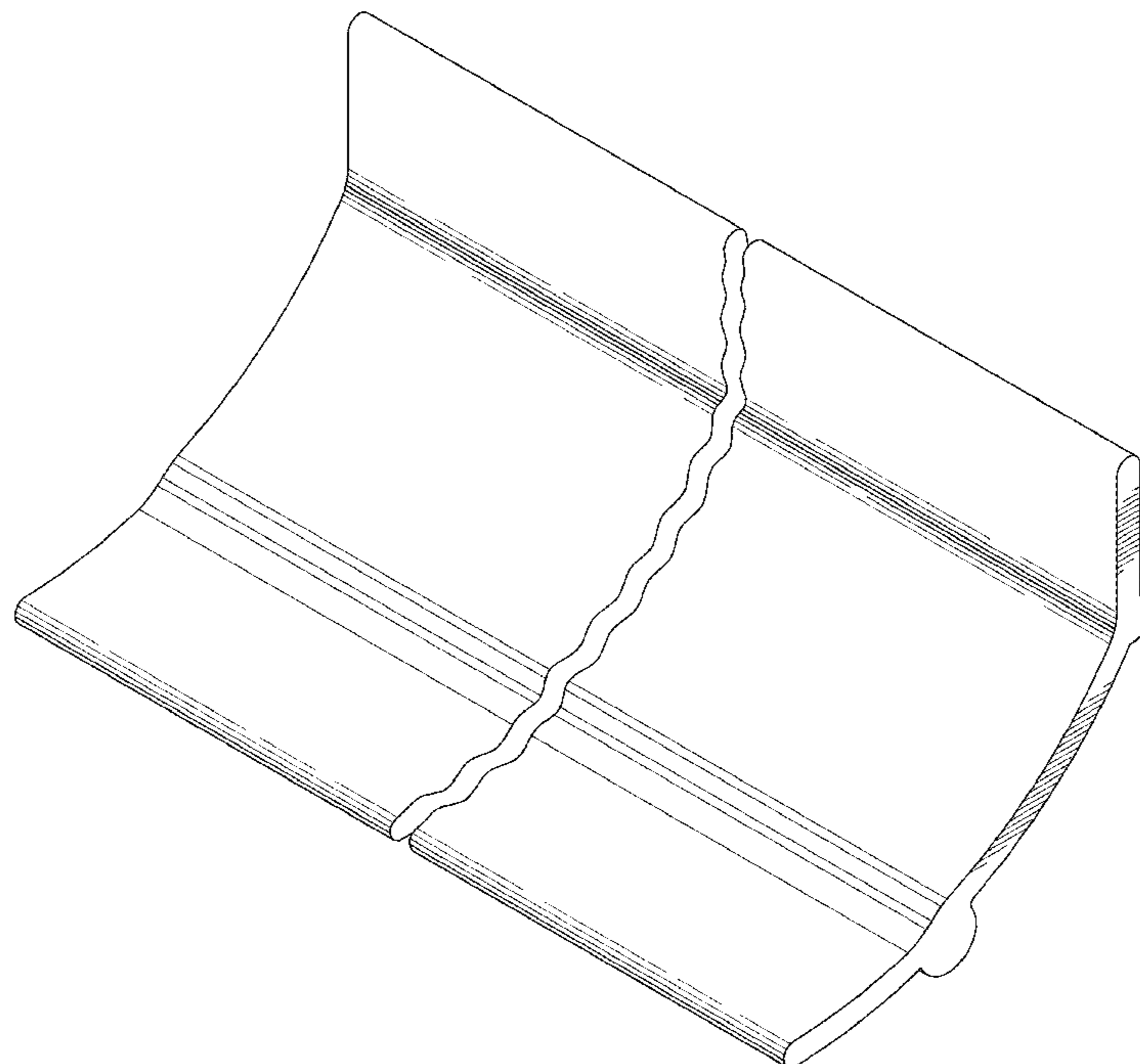
(56) **References Cited**

The drainage device for a vehicle is shown with a symbolic break in its length. The appearance of any portion of the drainage device for a vehicle between the breaks do not form part of the claimed design.

**U.S. PATENT DOCUMENTS**

D46,184 S \* 7/1914 Schneider et al. .... D12/196  
D334,380 S \* 3/1993 Henneberger ..... D13/155  
D435,237 S \* 12/2000 Damon ..... D12/196

**1 Claim, 6 Drawing Sheets**



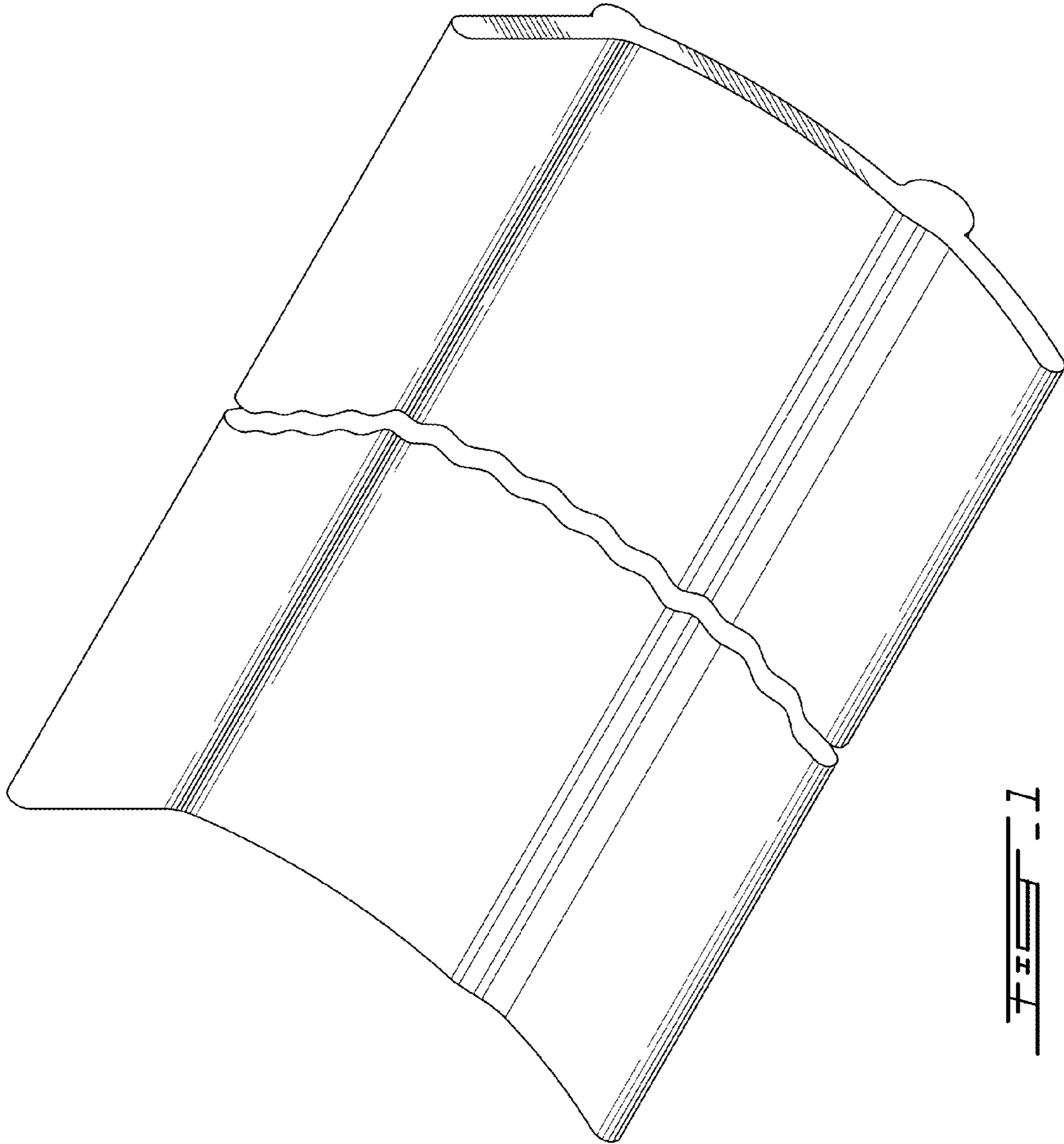


FIG. 1

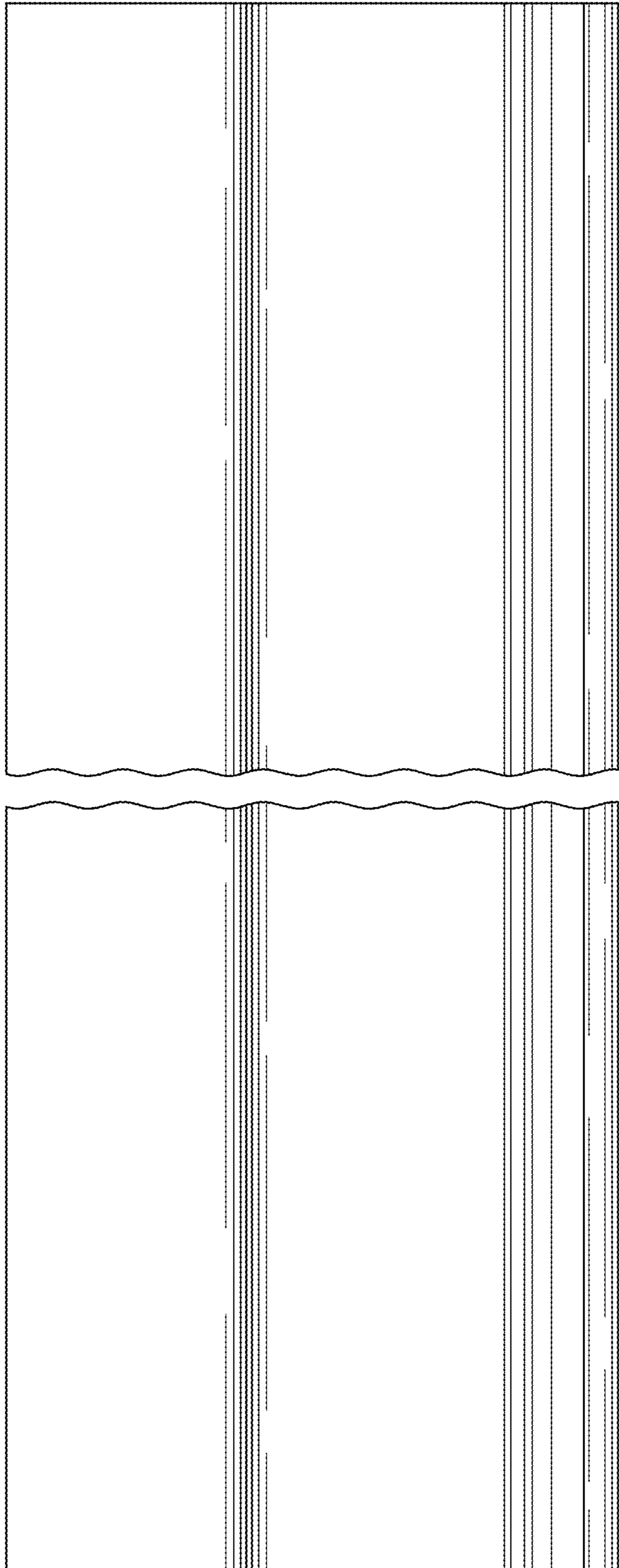


FIG. 2

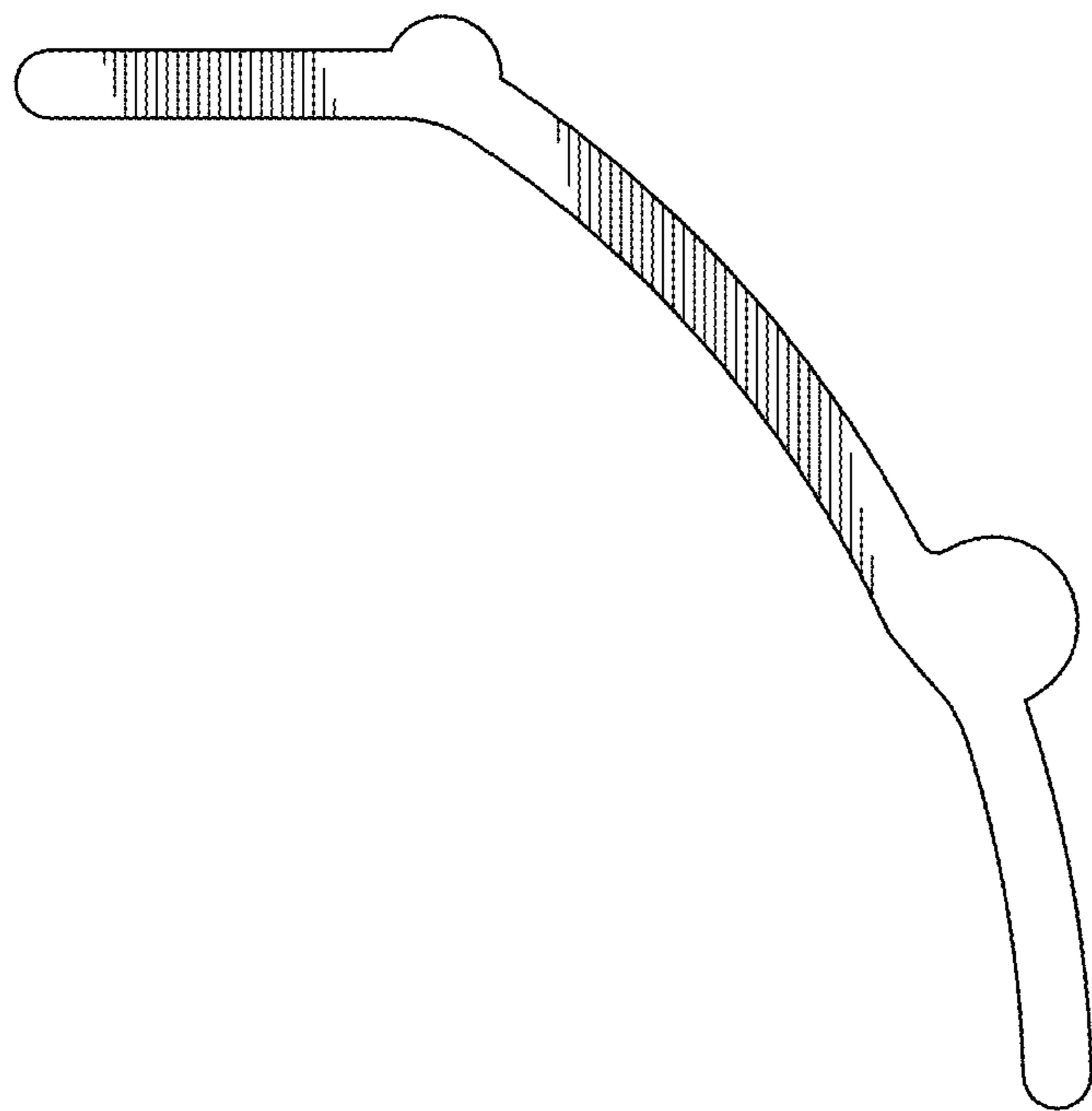


FIG. 3

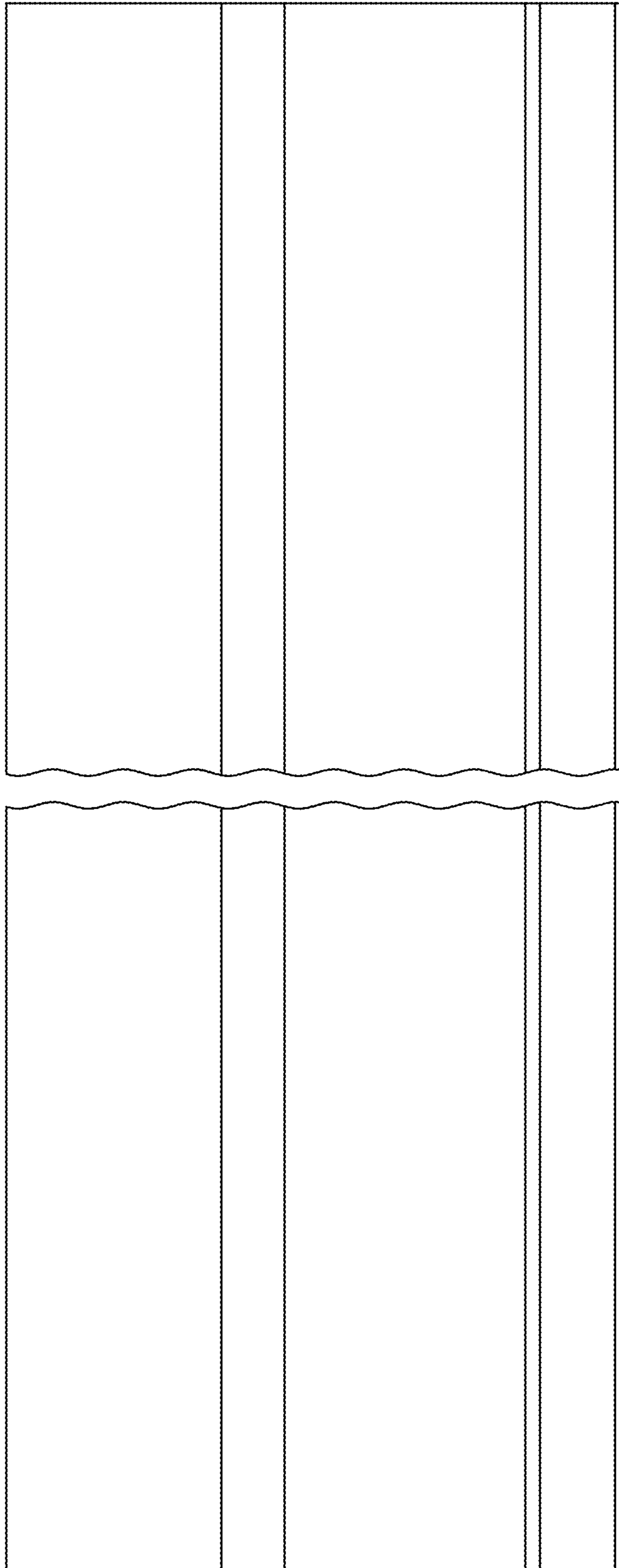


FIG. 4

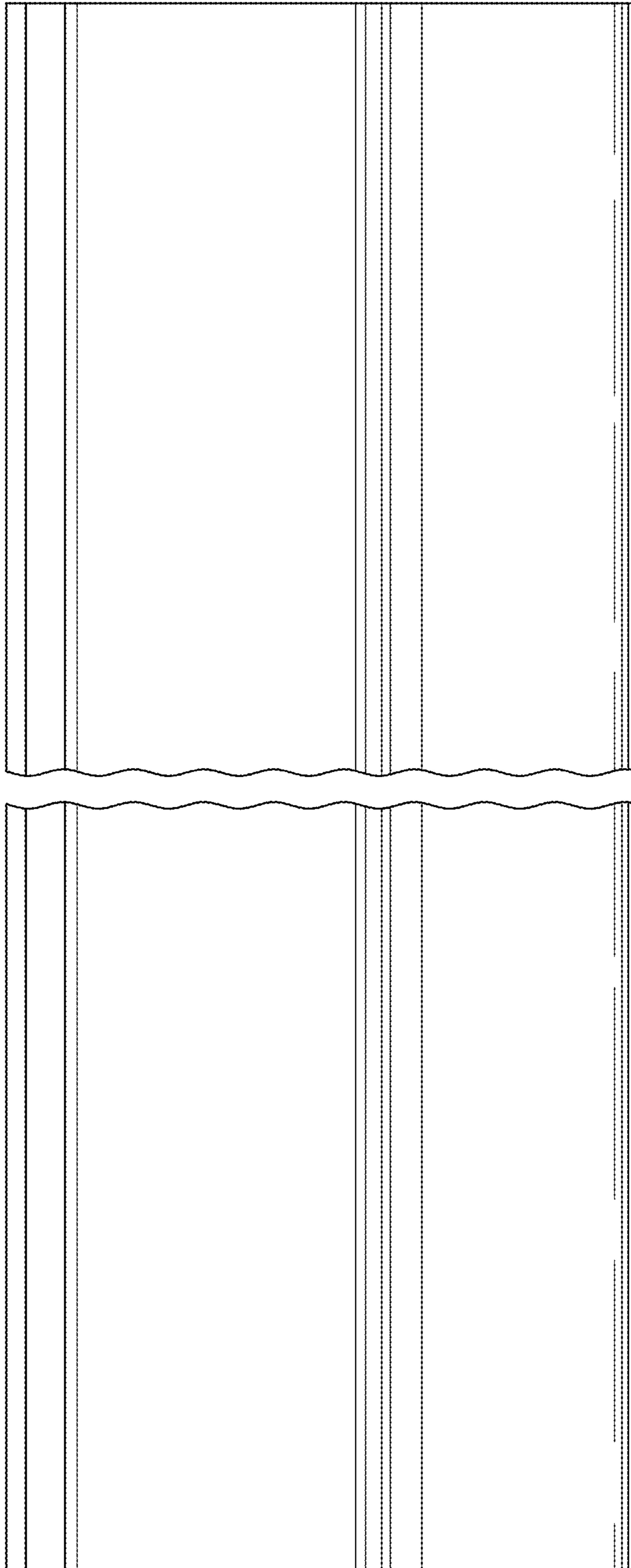


FIG. 5

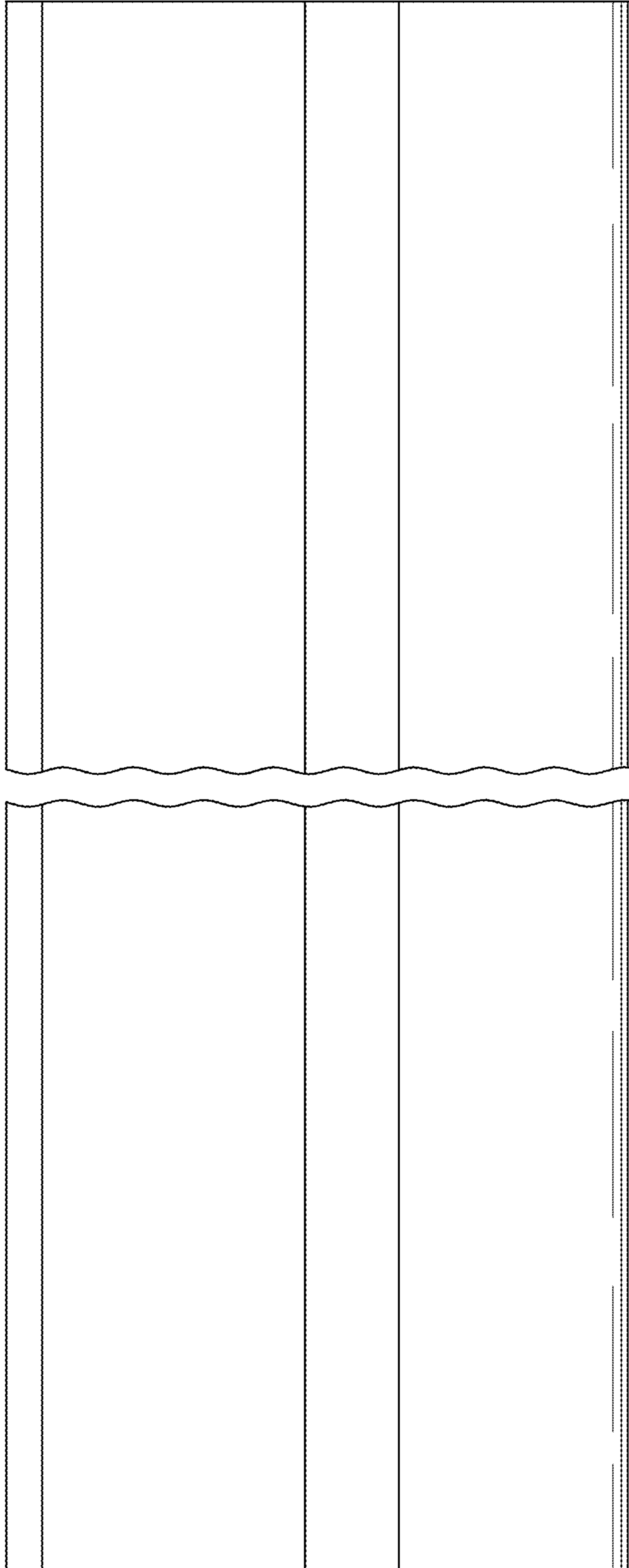


FIG. 6