



US00D932405S

(12) **United States Design Patent** (10) **Patent No.:** **US D932,405 S**  
**Setina et al.** (45) **Date of Patent:** **\*\* Oct. 5, 2021**

(54) <b>VEHICLE PARTITION</b>	8,651,351 B2 * 2/2014 Fowler ..... B60R 7/08 224/543
(71) Applicant: <b>J.R. Setina Manufacturing Co.,</b> Olympia, WA (US)	10,111,539 B2 * 10/2018 Collette ..... A47F 5/005 D855,553 S * 8/2019 Chiang ..... D12/426 10,596,989 B2 * 3/2020 Schmidt ..... B60R 21/12 2003/0090118 A1 * 5/2003 Murray ..... B60R 7/14 296/24.4
(72) Inventors: <b>Terry L. Setina,</b> Olympia, WA (US); <b>Adam Sampson,</b> Tenino, WA (US)	2013/0113232 A1 * 5/2013 Sage ..... B60R 21/12 296/24.46
(73) Assignee: <b>J.R. Setina Manufacturing Co.,</b> Olympia, WA (US)	2013/0147221 A1 * 6/2013 Setina ..... B60R 21/12 296/24.42

(\*\*) Term: **15 Years**

(21) Appl. No.: **29/719,914**

(22) Filed: **Jan. 8, 2020**

(51) **LOC (13) Cl.** ..... **12-16**

(52) **U.S. Cl.**  
USPC ..... **D12/195**

(58) **Field of Classification Search**  
USPC ..... D12/426, 400, 406, 415-420, 424, 425,  
D12/195, 155, 156  
CPC ..... B60R 21/12; B60R 21/06; B60R 7/14;  
B60R 7/08; B60R 5/04; B60R 5/045;  
A47F 5/005; B60J 5/101  
See application file for complete search history.

(56) **References Cited**

**U.S. PATENT DOCUMENTS**

D246,304 S *	11/1977	Horn	.....	D12/195
4,509,788 A *	4/1985	Jan	.....	B60R 21/12 280/749
5,678,874 A *	10/1997	Choate	.....	B60J 5/101 296/164
6,874,667 B2 *	4/2005	Dykstra	.....	B60R 5/04 224/275
7,195,297 B2	3/2007	Murray et al.		
7,401,716 B2 *	7/2008	Svenson	.....	B60R 5/045 224/42.32
7,669,907 B2 *	3/2010	Spatar	.....	B60R 21/06 296/24.46

\* cited by examiner

*Primary Examiner* — Susan E Krakower

*Assistant Examiner* — Jerry Shiuang-Hua Hsu

(74) *Attorney, Agent, or Firm* — Klarquist Sparkman, LLP

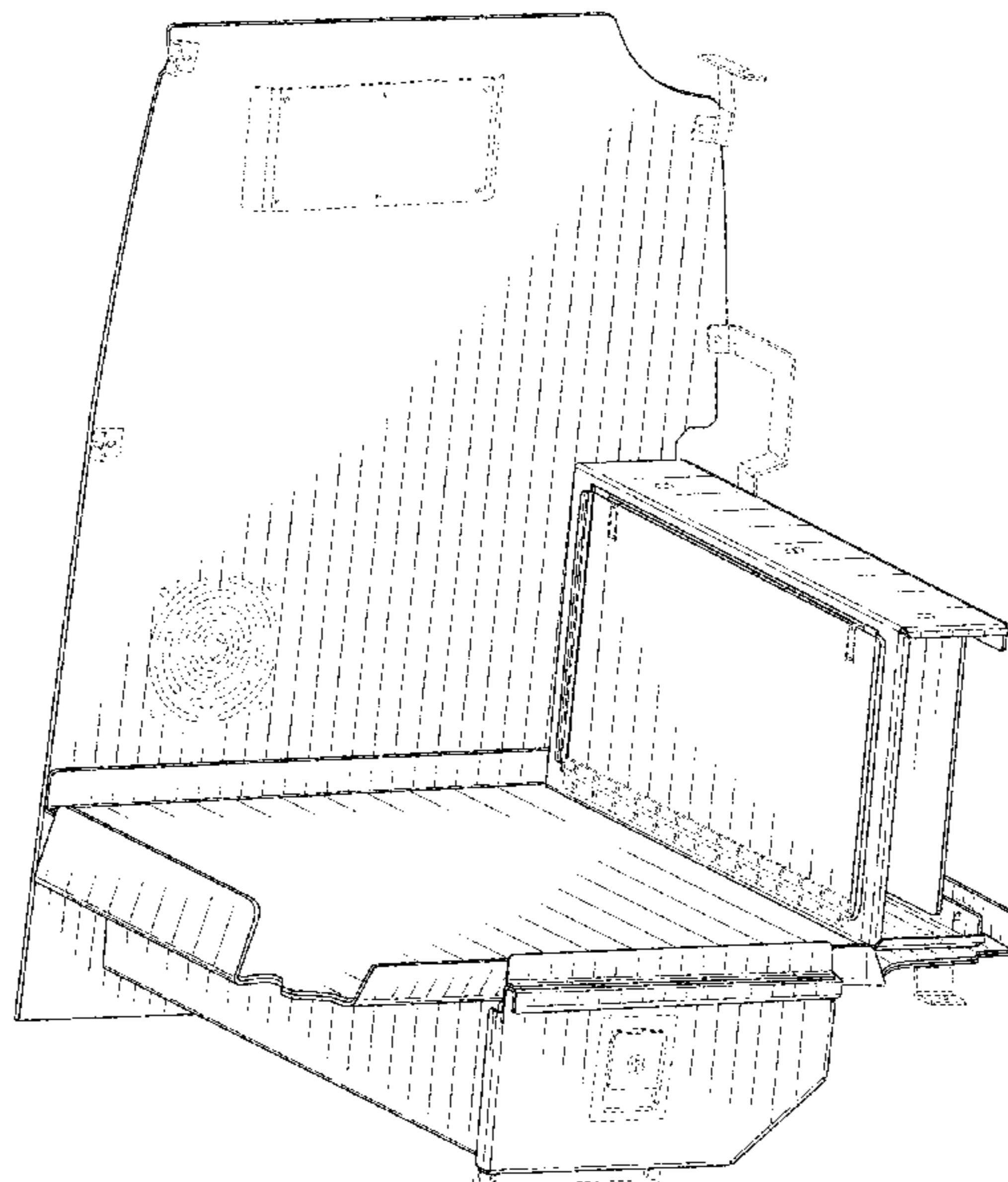
(57) **CLAIM**

We claim the ornamental design for a vehicle partition, as shown and described.

**DESCRIPTION**

FIG. 1 is a front, top, left perspective view of the vehicle partition, showing our new design.  
 FIG. 2 is a left side elevational view thereof.  
 FIG. 3 is a right side elevational view thereof.  
 FIG. 4 is a front elevational view thereof.  
 FIG. 5 is a rear elevational view thereof.  
 FIG. 6 is a top plan view thereof.  
 FIG. 7 is a bottom plan view thereof.  
 FIG. 8 is a rear, top, left perspective view thereof; and,  
 FIG. 9 is a front, top, left perspective view thereof.  
 The broken lines illustrate portions of the vehicle partition that form no part of the claimed design. The broken lines depicting an adjacent seat in FIG. 9 shows environmental structure that forms no part of the claimed design.

**1 Claim, 9 Drawing Sheets**



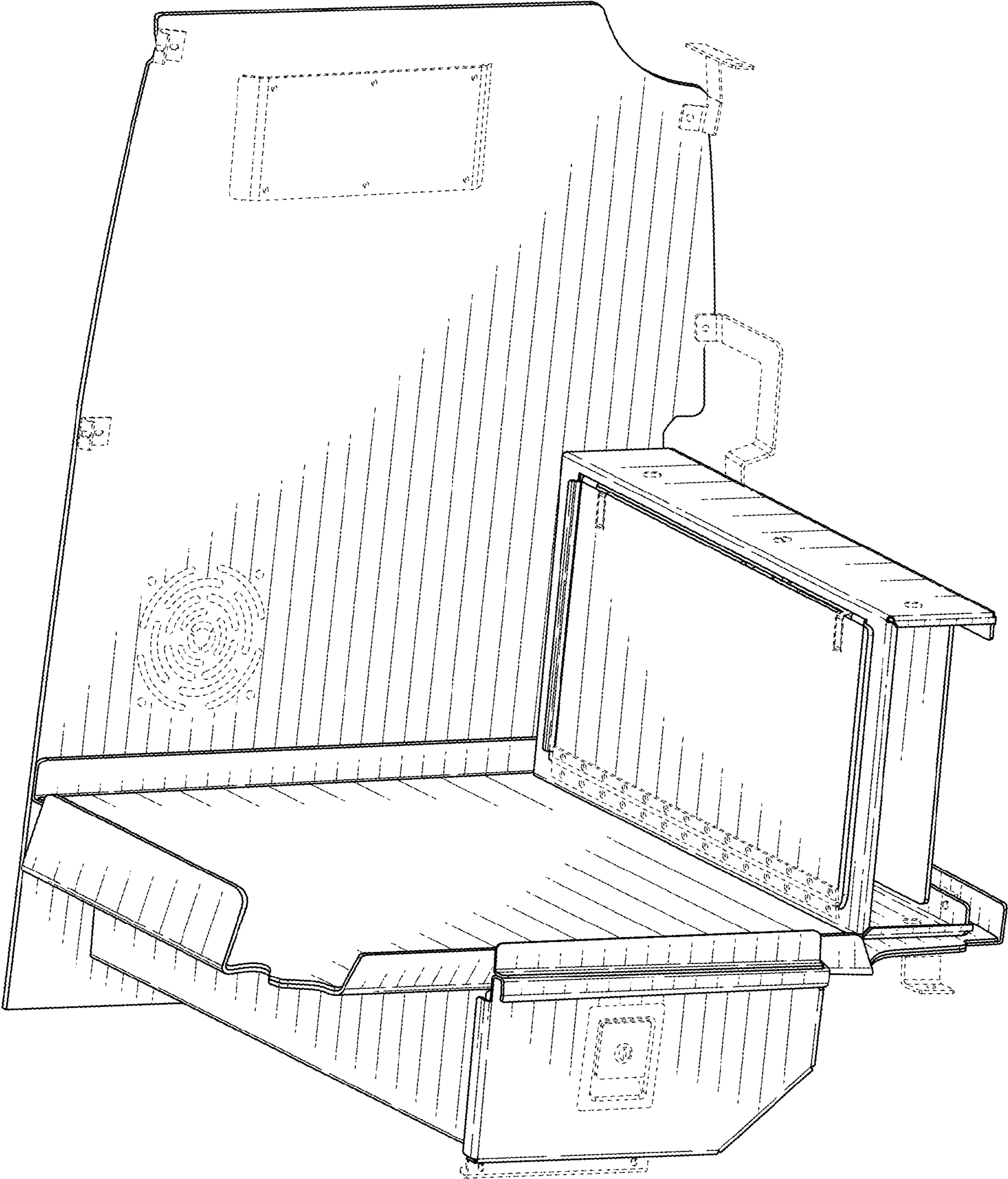


FIG. 1

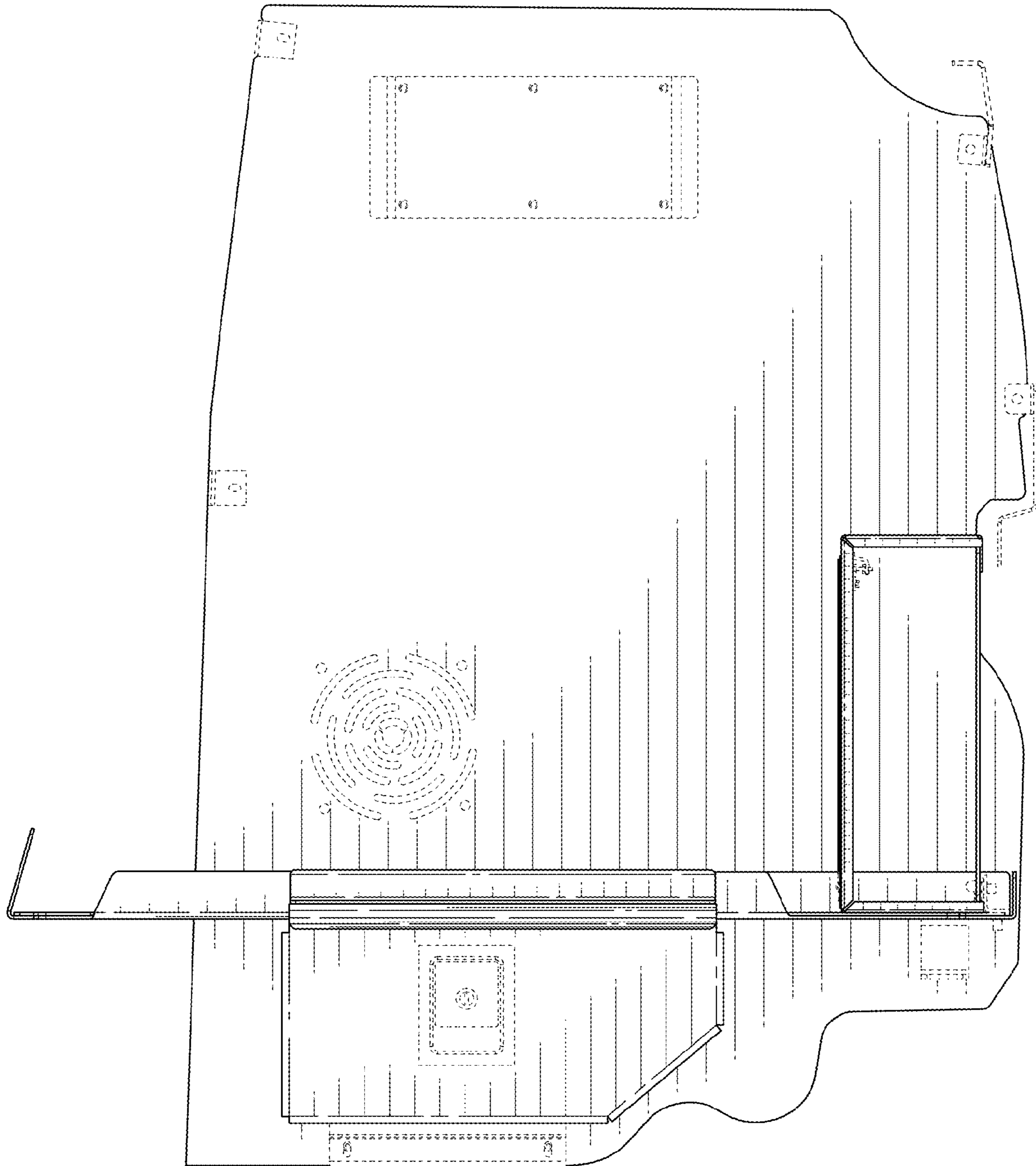


FIG. 2

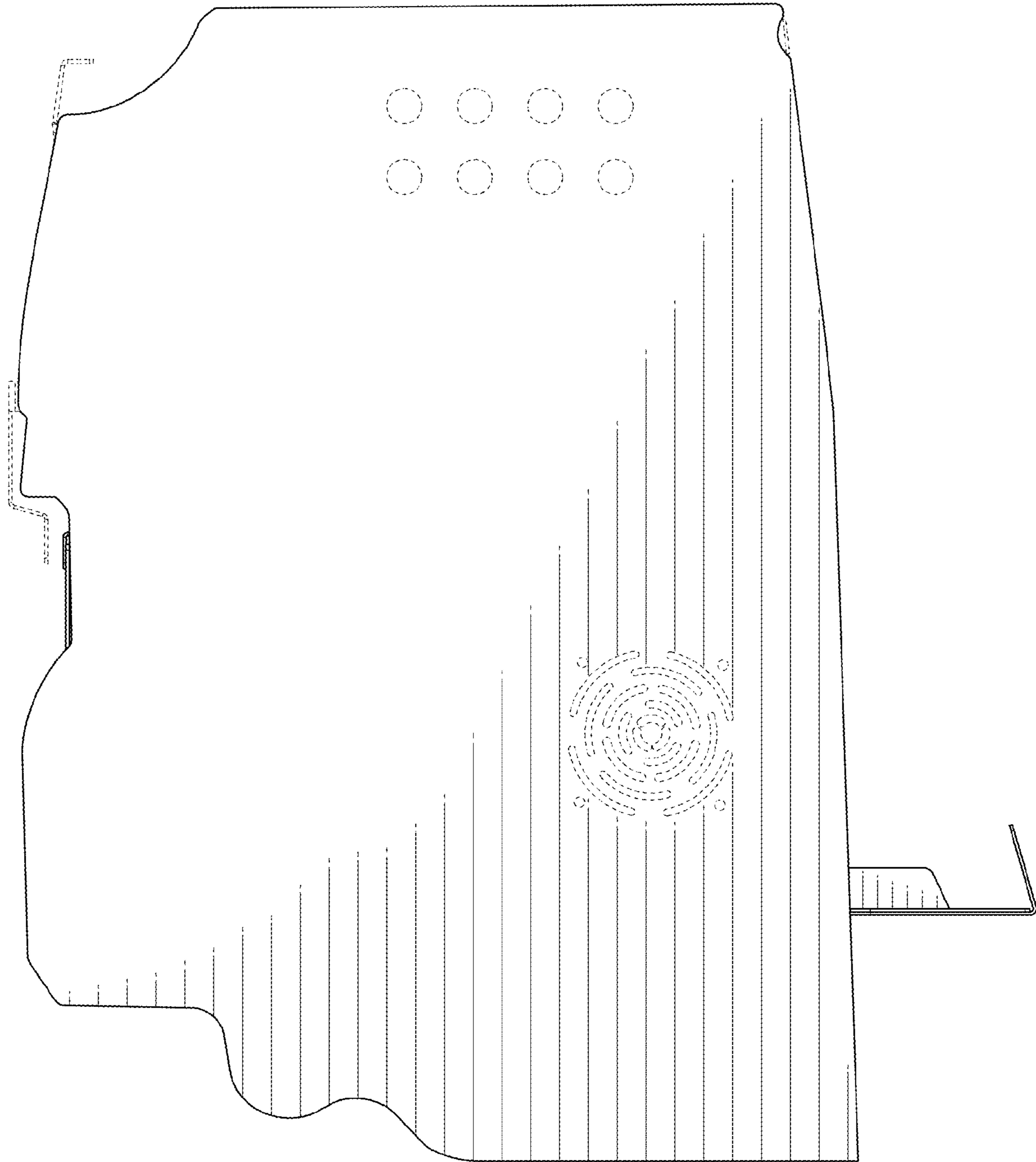


FIG. 3

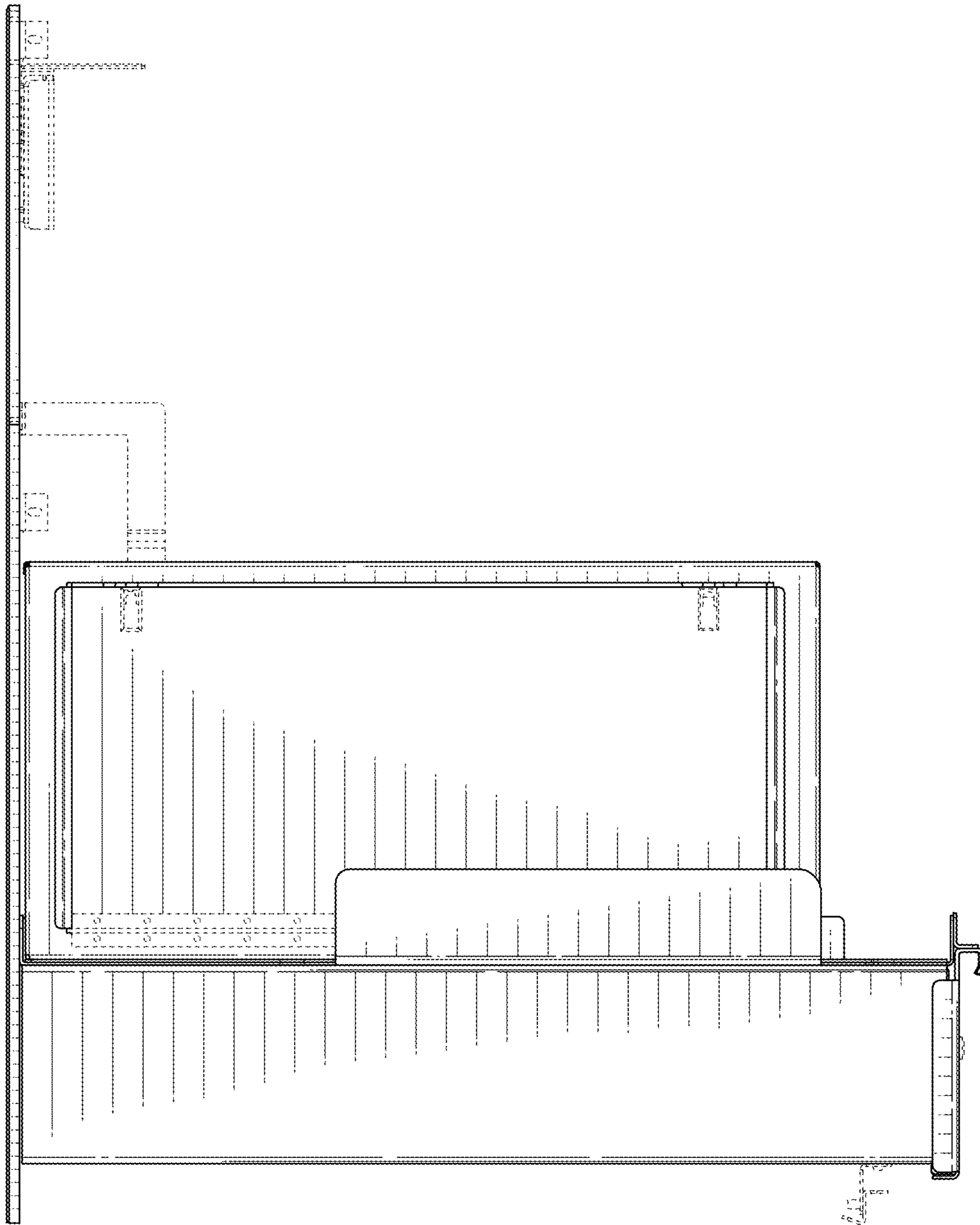


FIG. 4

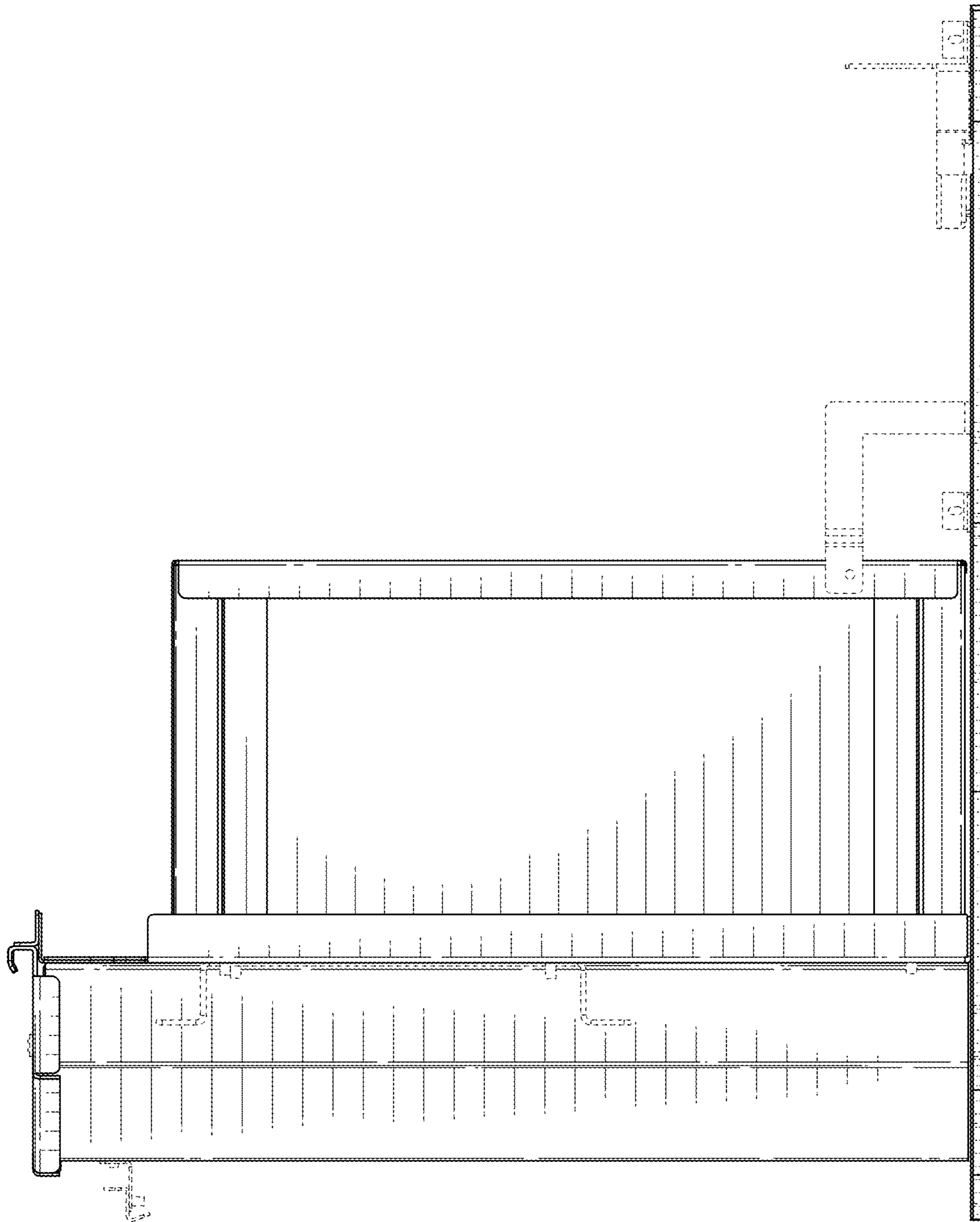


FIG. 5

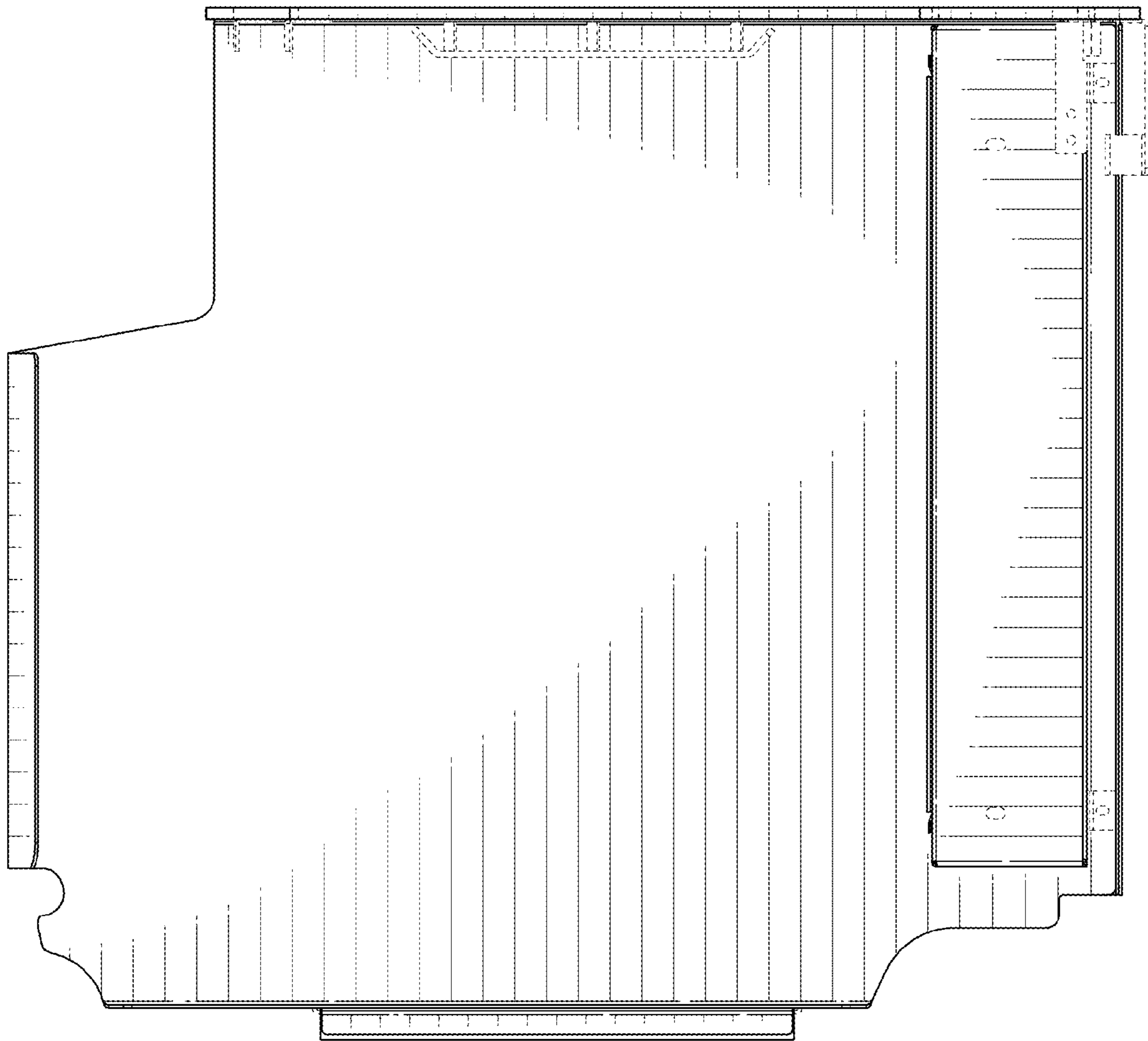


FIG. 6

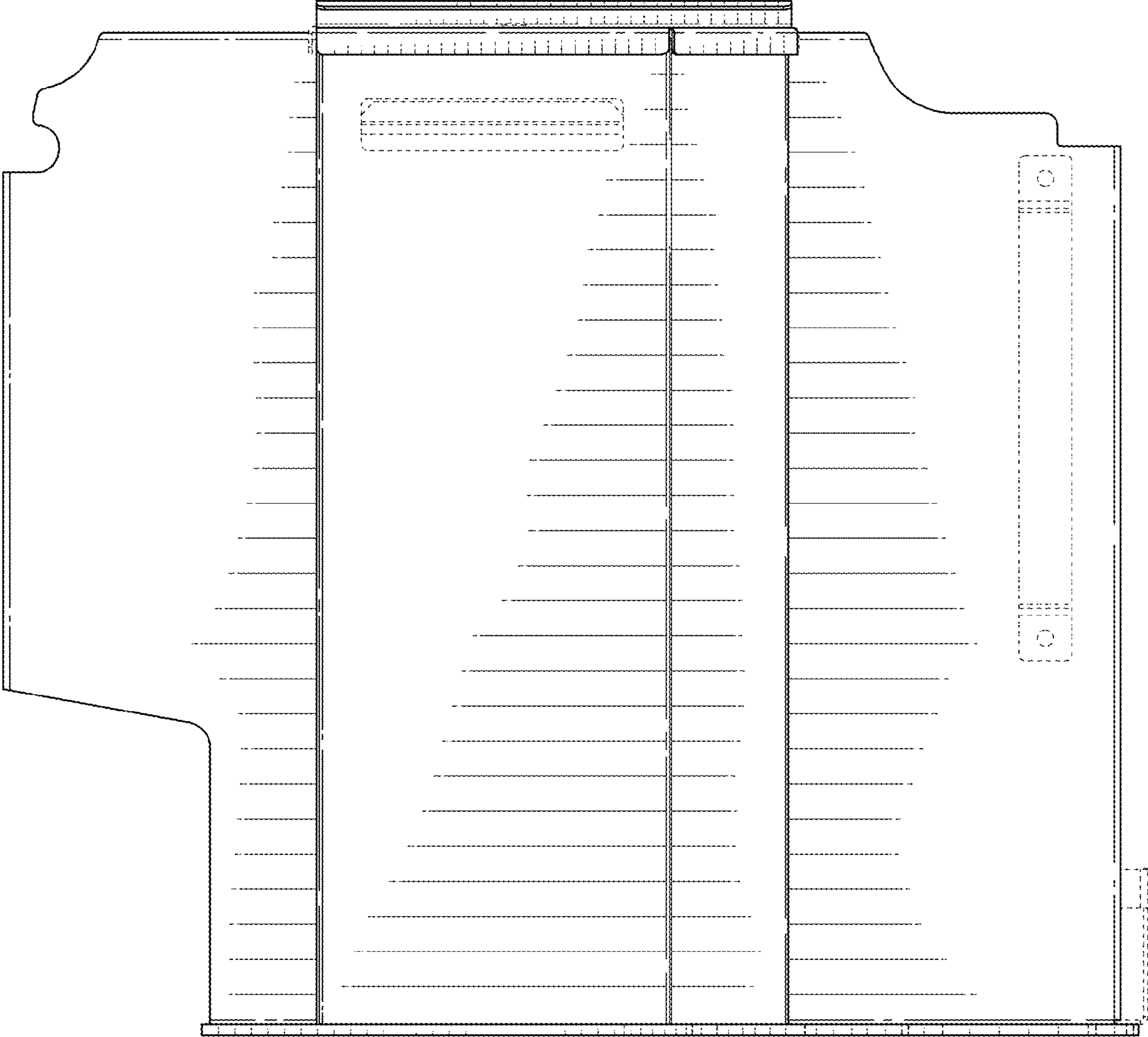


FIG. 7



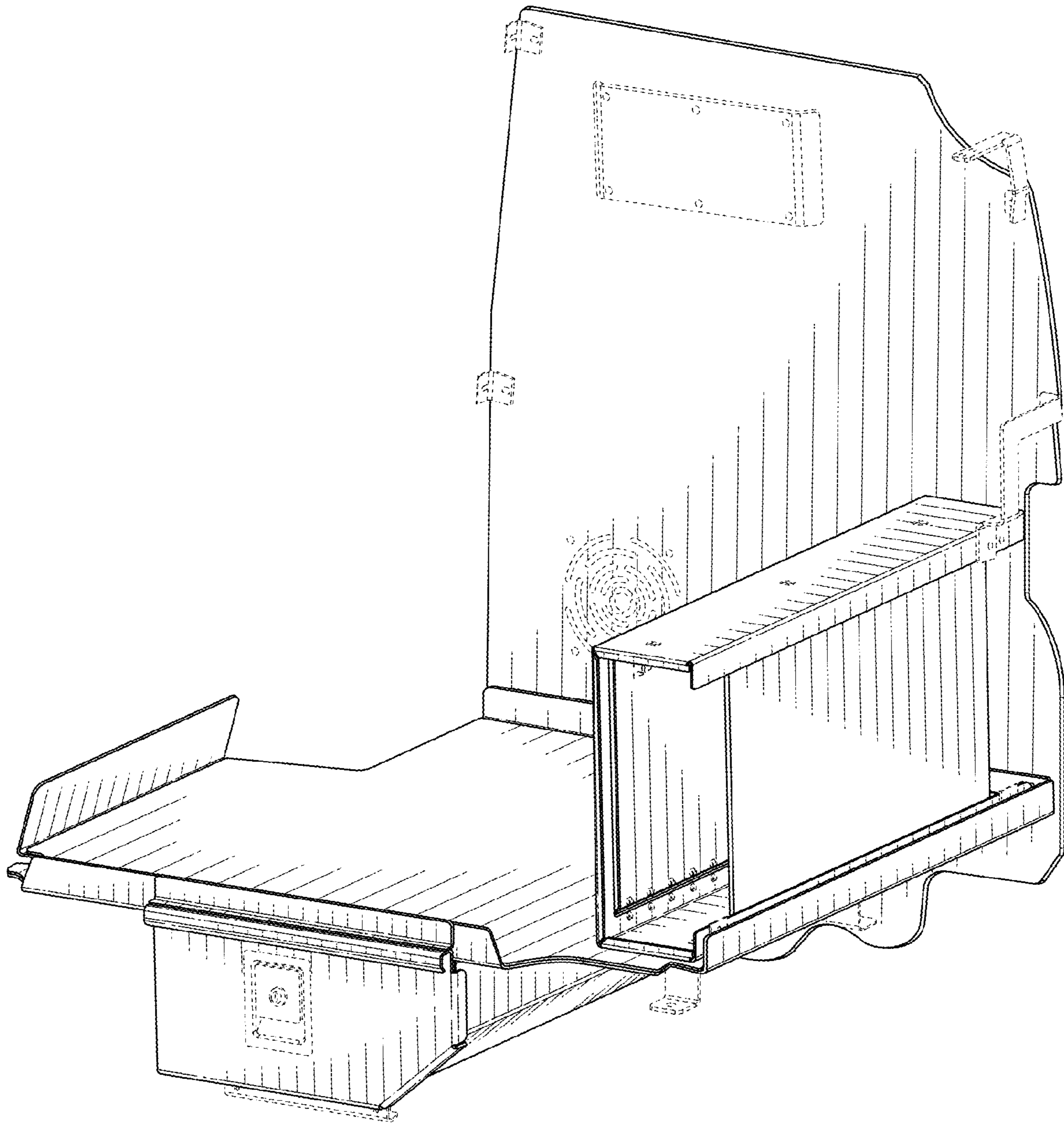


FIG. 8

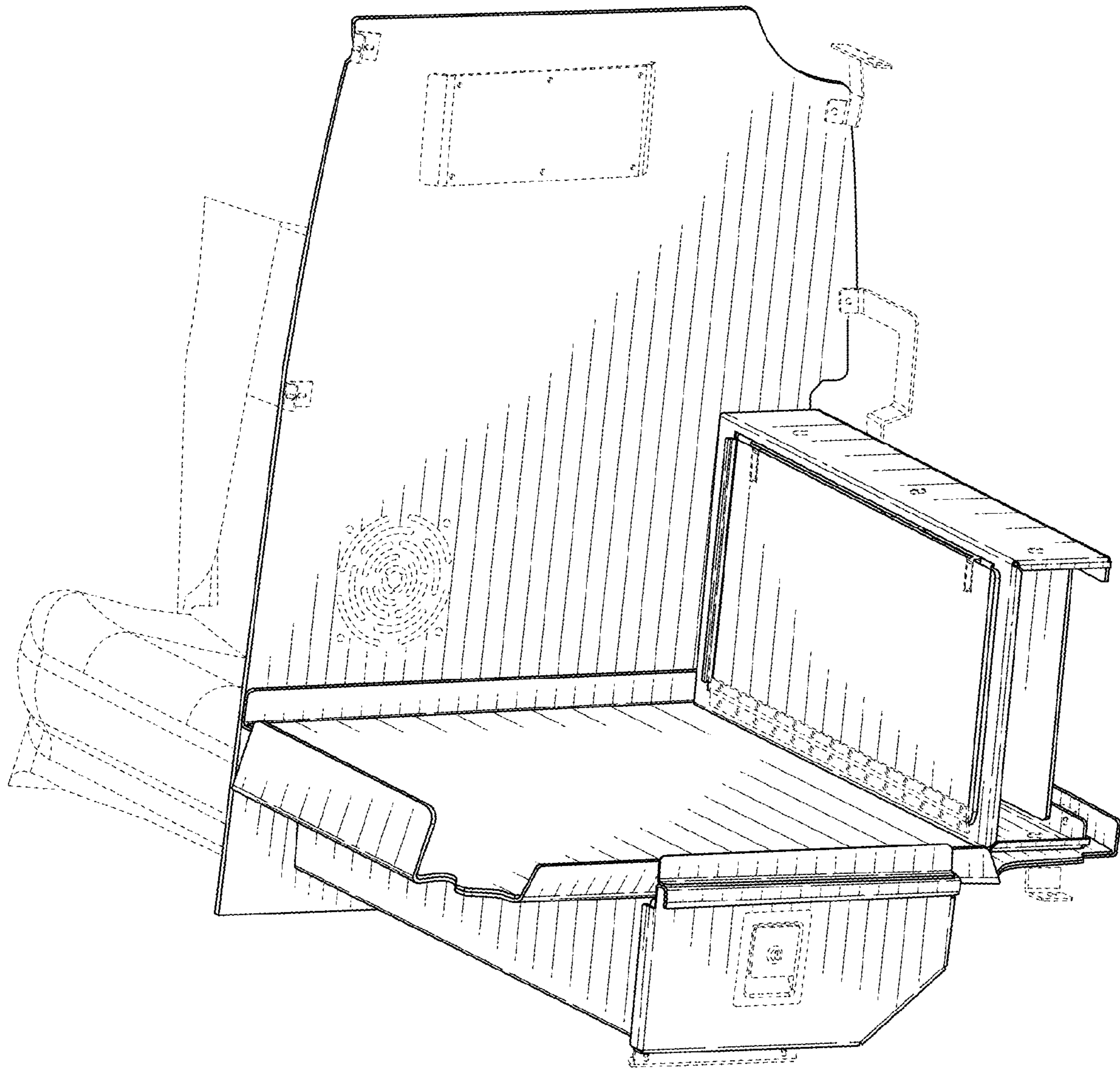


FIG. 9