



US00D932403S

(12) **United States Design Patent**  
**Jenkins et al.**

(10) **Patent No.:** **US D932,403 S**  
(45) **Date of Patent:** **\*\* Oct. 5, 2021**

- (54) **VEHICULAR EXTERIOR MIRROR**
- (71) Applicant: **Atieva Inc.**, Uglan House (KY)
- (72) Inventors: **Derek N. Jenkins**, Malibu, CA (US);  
**Jiyeon Kim**, Palo Alto, CA (US);  
**James Searle**, Redwood City, CA (US)
- (73) Assignee: **Atieva Inc.**, Grand Cayman (KY)
- (\*\*) Term: **15 Years**
- (21) Appl. No.: **29/740,895**
- (22) Filed: **Jul. 8, 2020**
- (51) **LOC (13) Cl.** ..... **12-16**
- (52) **U.S. Cl.**  
USPC ..... **D12/187**
- (58) **Field of Classification Search**  
USPC ..... D12/187-189; D6/300, 309  
CPC ..... B60R 1/076; G02B 7/182; G02B 5/08;  
G02B 7/18  
See application file for complete search history.

(56) **References Cited**

**U.S. PATENT DOCUMENTS**

D809,971 S	2/2018	Lee et al.	
D818,407 S	5/2018	Lee et al.	
D902,813 S	* 11/2020	Ruiz	D12/187
D902,814 S	* 11/2020	Ruiz	D12/187
D904,259 S	* 12/2020	Piaskowski	D12/187
D904,260 S	* 12/2020	Piaskowski	D12/187
D906,203 S	* 12/2020	Chen	D12/187
D908,565 S	* 1/2021	Choi	D12/187
D908,566 S	* 1/2021	Zhao	D12/187
D908,567 S	* 1/2021	Hunwick	D12/187
D911,894 S	* 3/2021	Tonello	D12/187
D913,880 S	* 3/2021	Hilliard	D12/187
D915,961 S	* 4/2021	Woodhouse	D12/187
D919,529 S	* 5/2021	Dewitt	D12/187

**OTHER PUBLICATIONS**

U.S. Appl. No. 29/740,886, filed Jul. 8, 2020, Derek N. Jenkins et al.

- U.S. Appl. No. 29/740,887, filed Jul. 8, 2020, Jiyeon Kim et al.
- U.S. Appl. No. 29/740,892, filed Jul. 8, 2020, Jiyeon Kim et al.
- U.S. Appl. No. 29/740,897, filed Jul. 8, 2020, Jiyeon Kim et al.
- U.S. Appl. No. 29/740,899, filed Jul. 8, 2020, Jiyeon Kim et al.
- U.S. Appl. No. 29/740,902, filed Jul. 8, 2020, Derek N. Jenkins et al.
- U.S. Appl. No. 29/740,904, Jul. 8, 2020, Jiyeon Kim et al.
- U.S. Appl. No. 29/740,906, filed Jul. 8, 2020, Derek N. Jenkins et al.
- Photos of Lucid Motors AIR™ prototype vehicle exterior, published prior to Jun. 1, 2019.
- Photo of Chevrolet Blazer, offered for sale or published prior to Jun. 1, 2020.
- R. Moore, Lucid Motors Air™ prototype vehicle review article, TopSpeed, published Aug. 25, 2017.

\* cited by examiner

*Primary Examiner* — Katrina A Betton

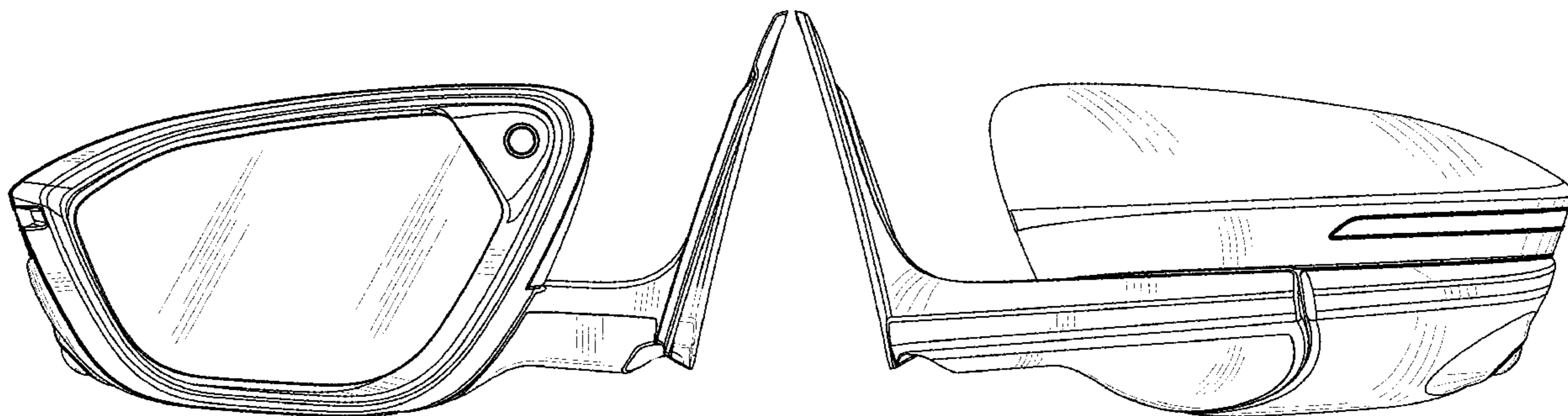
(57) **CLAIM**

We claim the ornamental design for a vehicular exterior mirror, as shown and described.

**DESCRIPTION**

FIG. 1 is a top perspective view showing a vehicular exterior mirror of our new design;  
 FIG. 2 is a rear perspective view thereof;  
 FIG. 3 is a rear plan view thereof;  
 FIG. 4 is a front plan view thereof;  
 FIG. 5 is a top plan view thereof;  
 FIG. 6 is a side plan view thereof;  
 FIG. 7 is a side plan view thereof, opposite FIG. 6; and,  
 FIG. 8 is a bottom plan view thereof.  
 The broken lines are for illustrative purposes only and form no part of the claimed design.

**1 Claim, 5 Drawing Sheets**



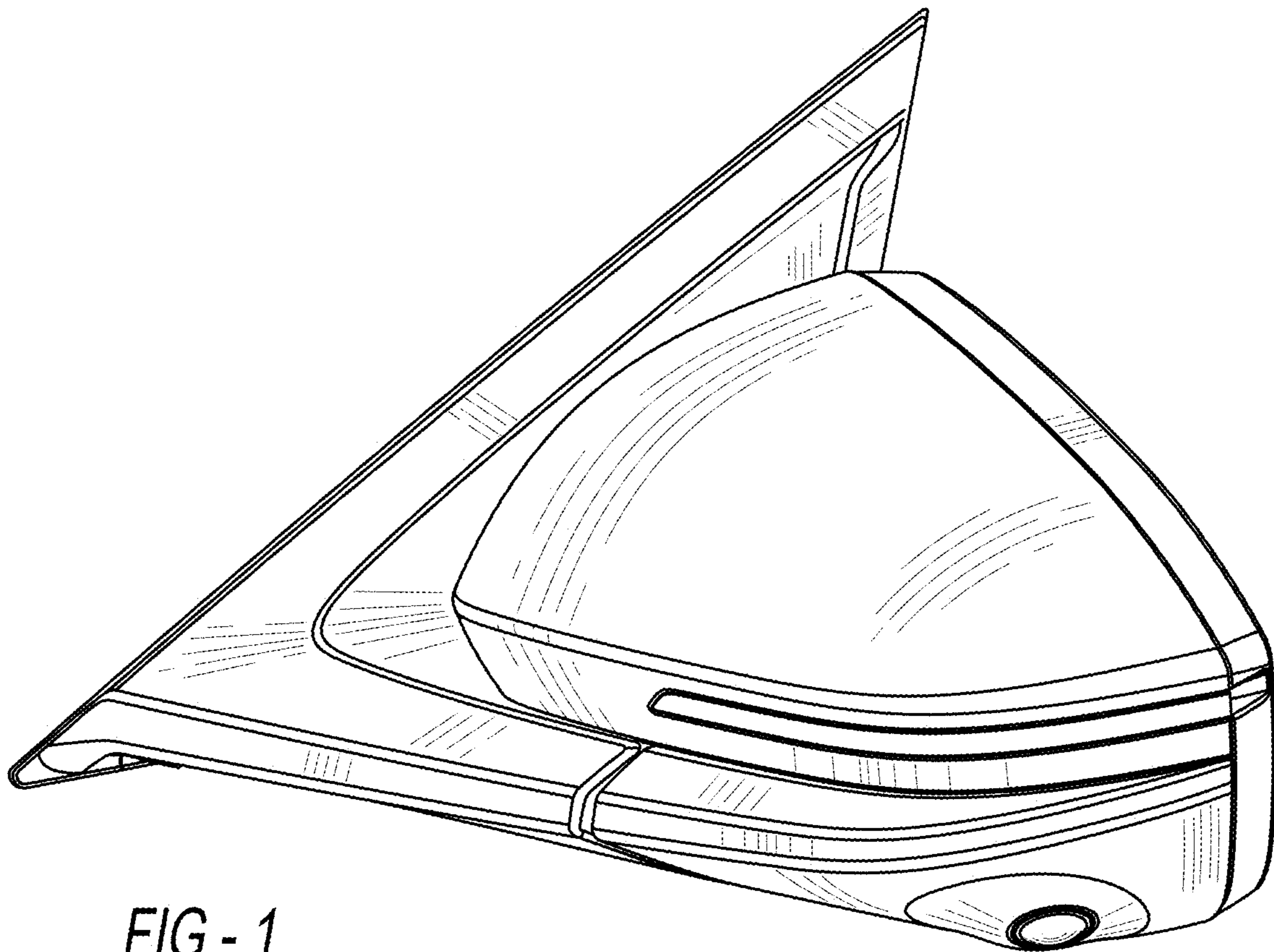


FIG - 1

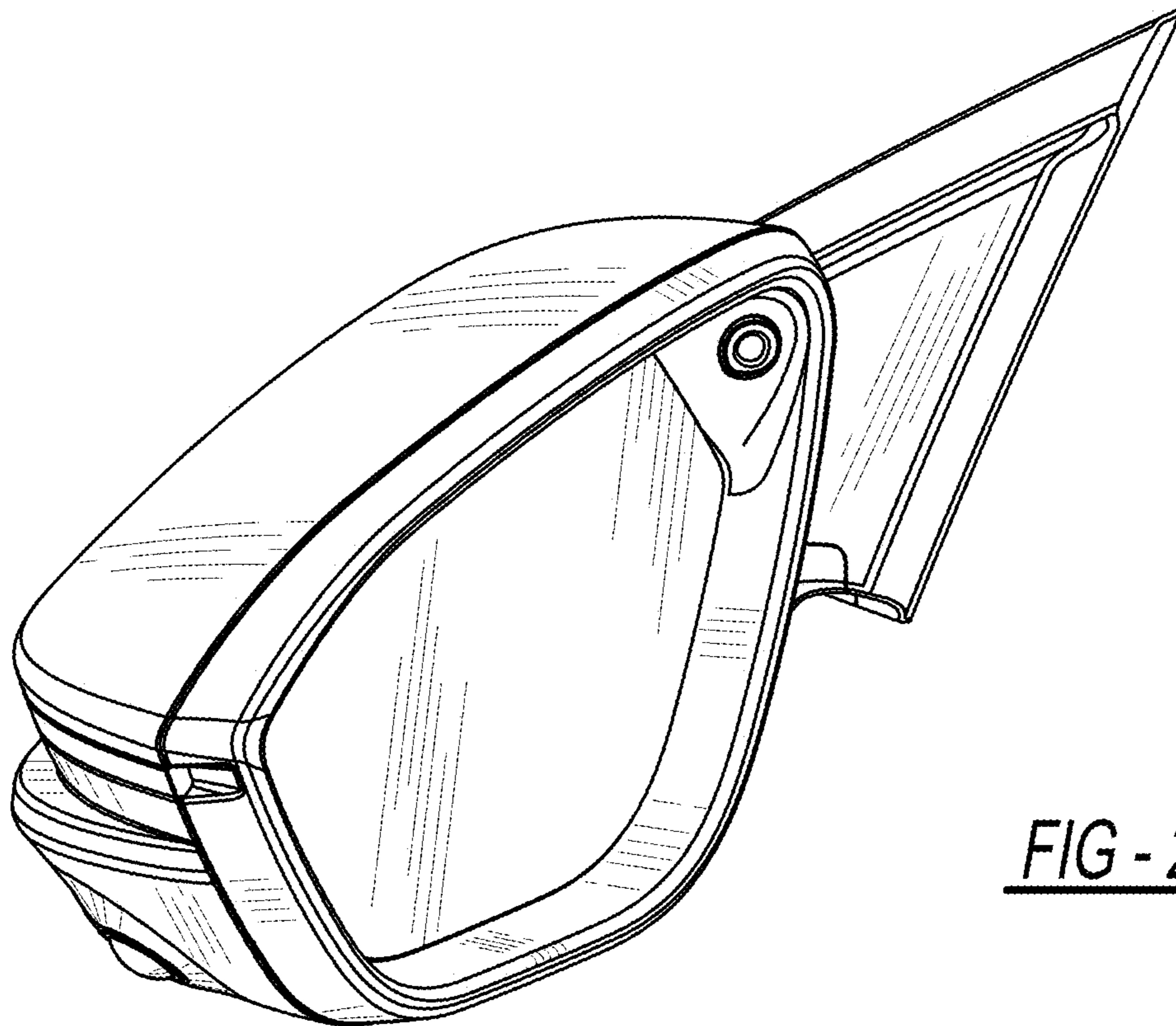


FIG - 2

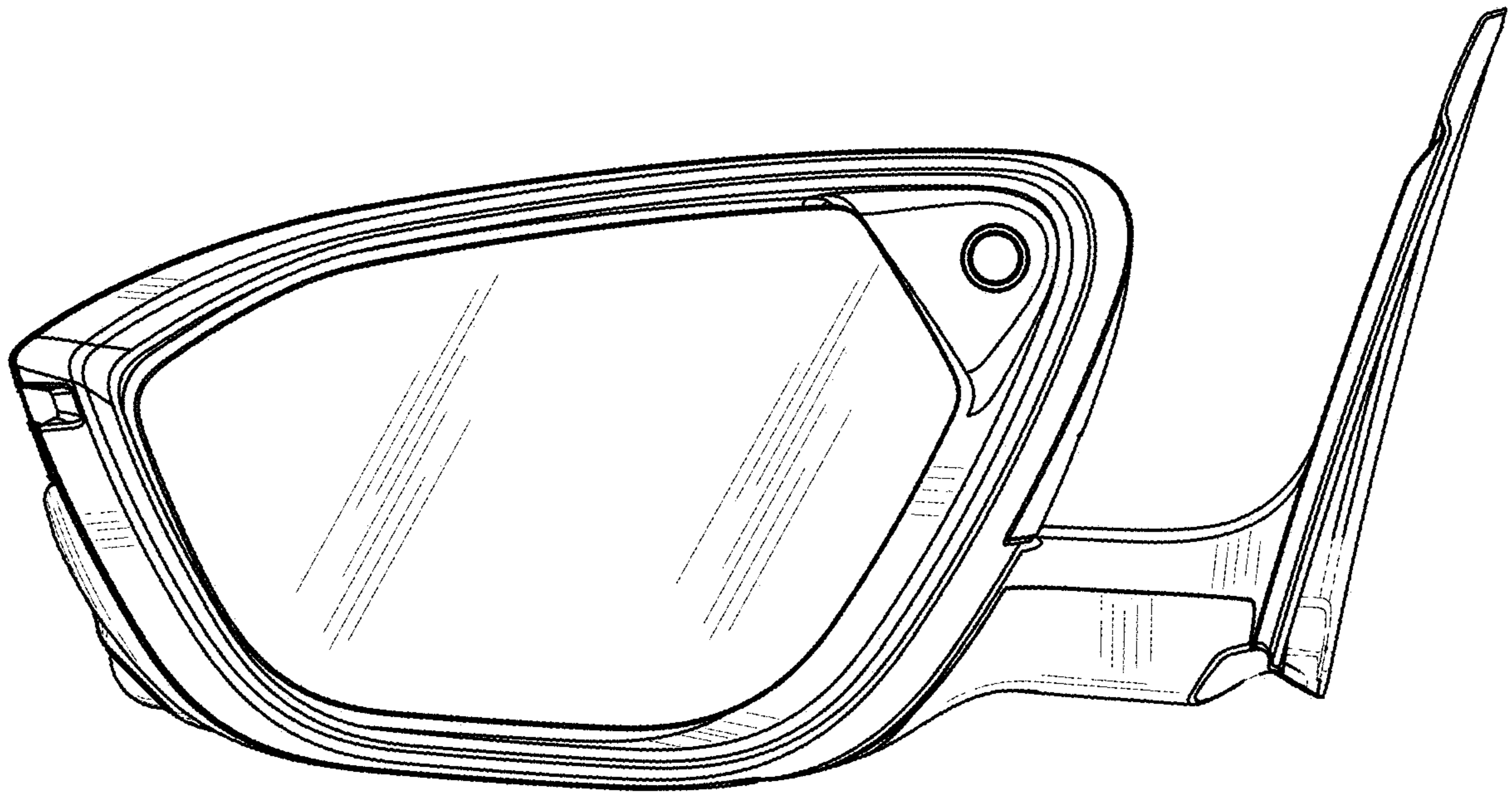


FIG - 3

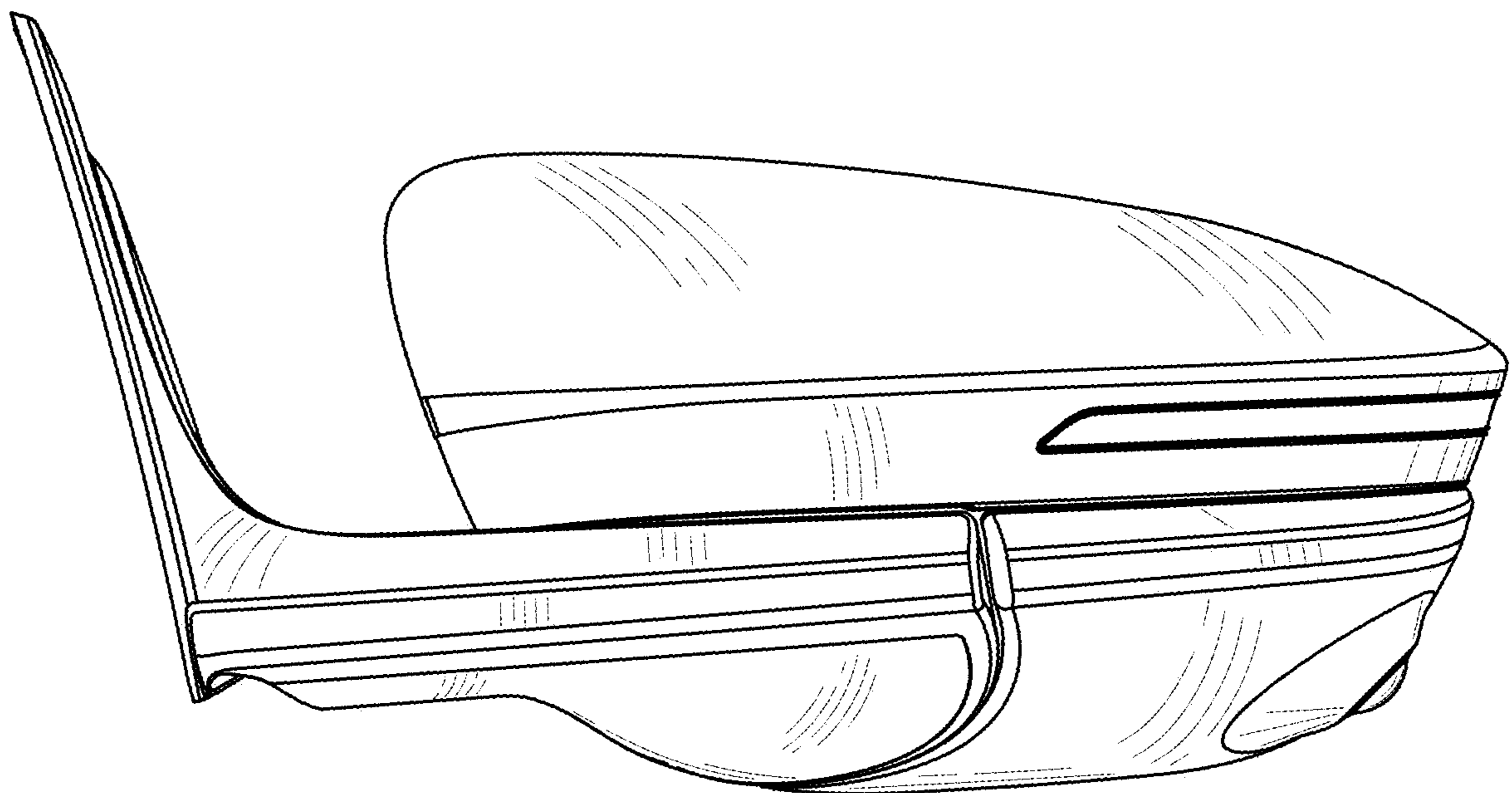


FIG - 4

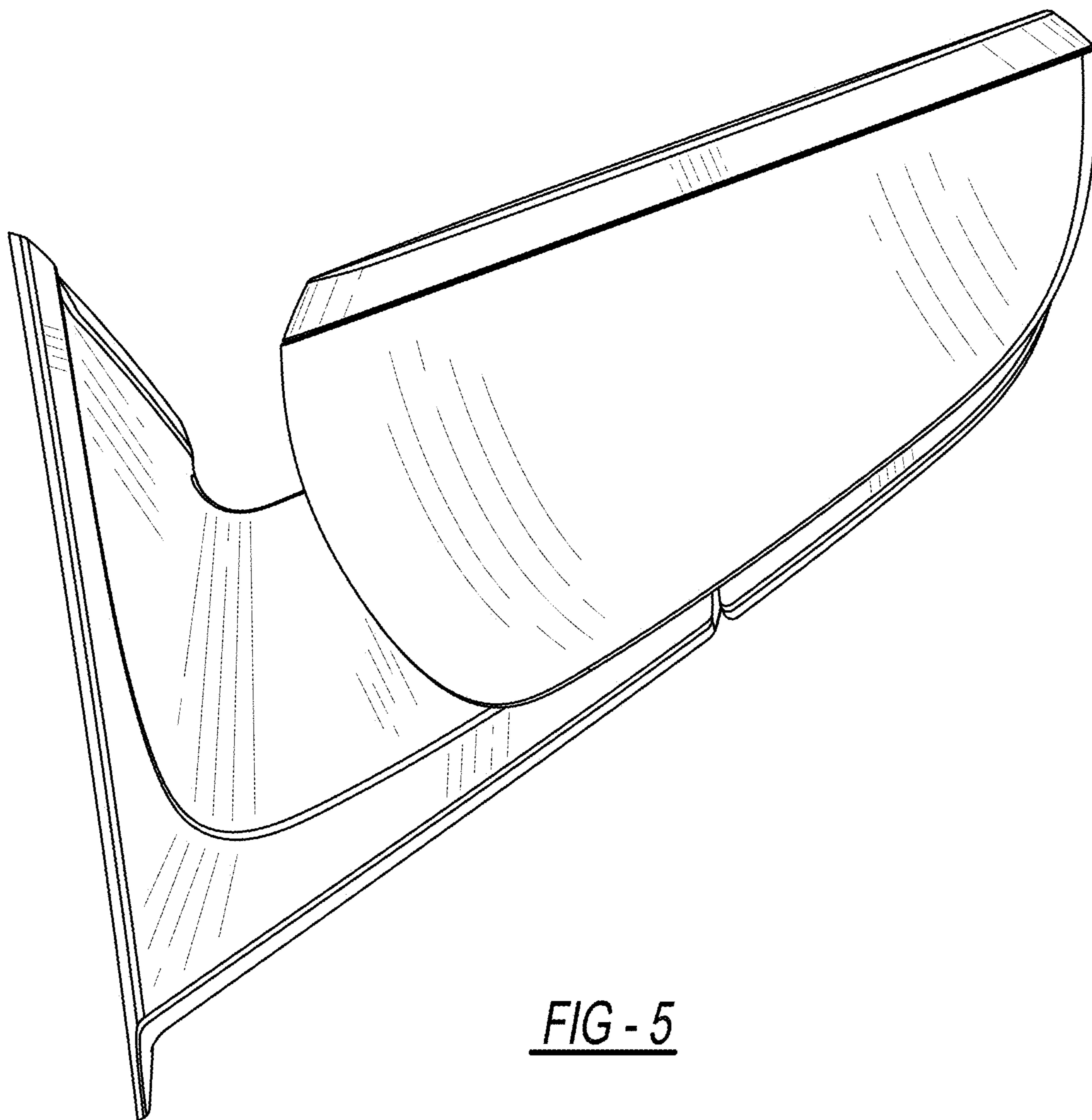


FIG - 5

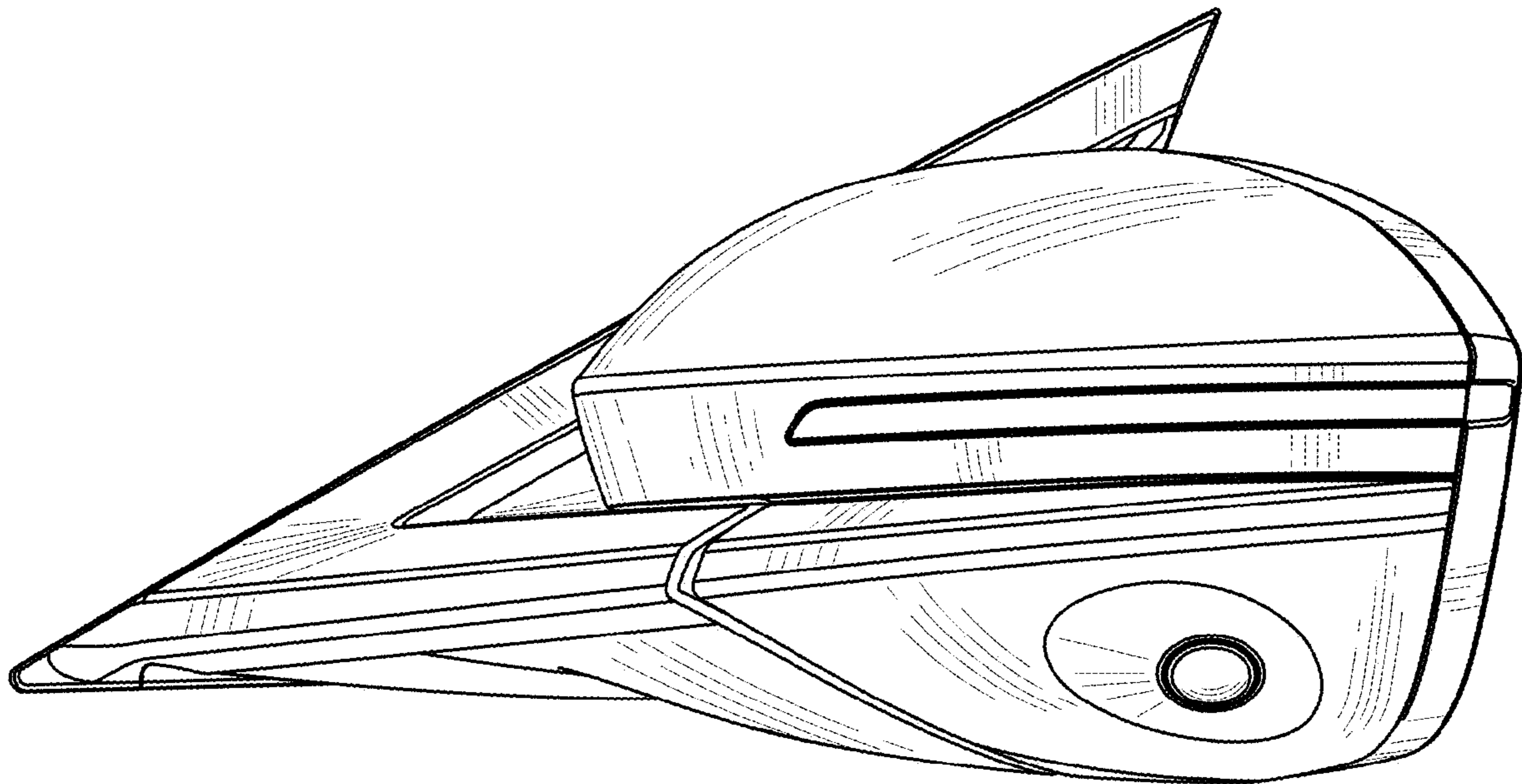


FIG - 6

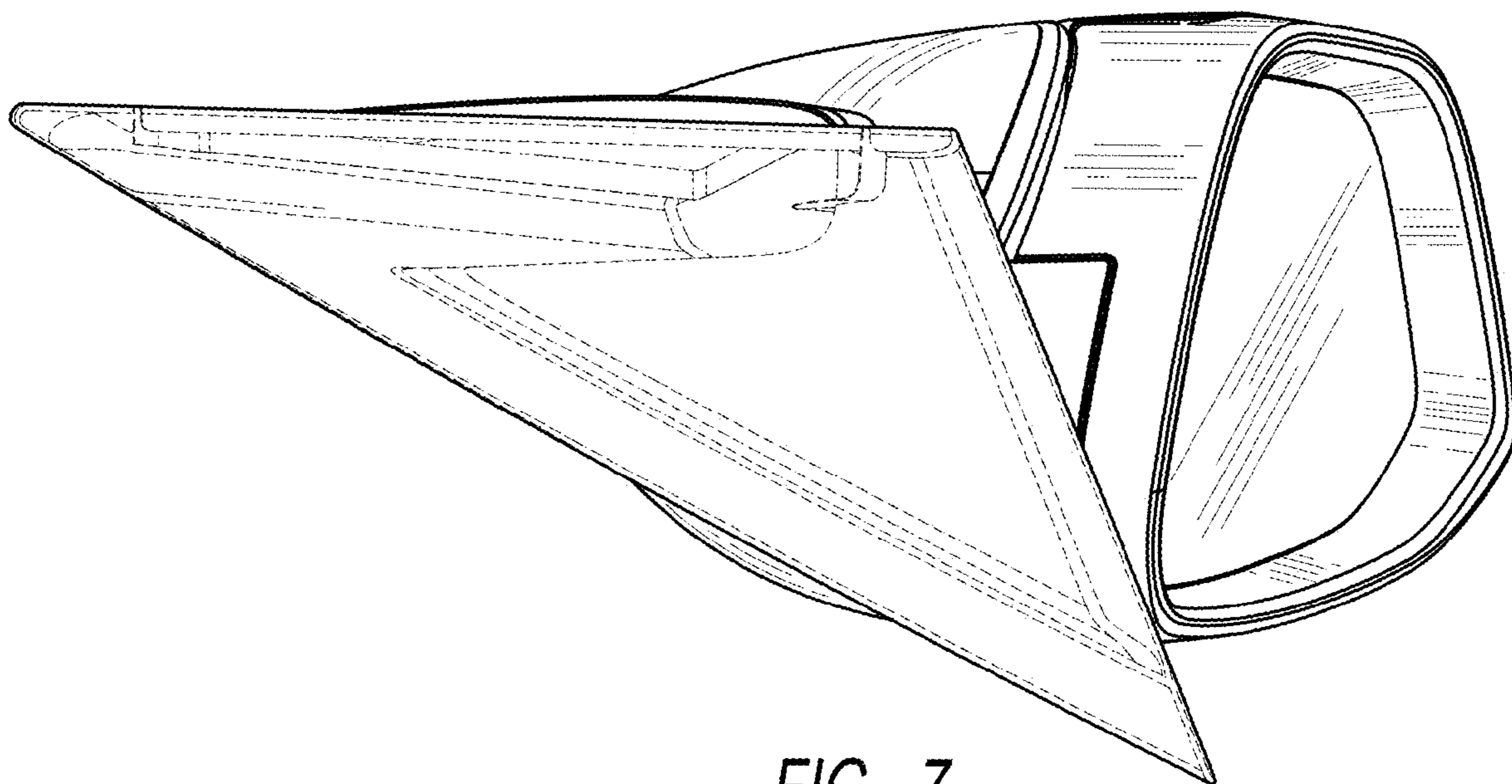


FIG - 7

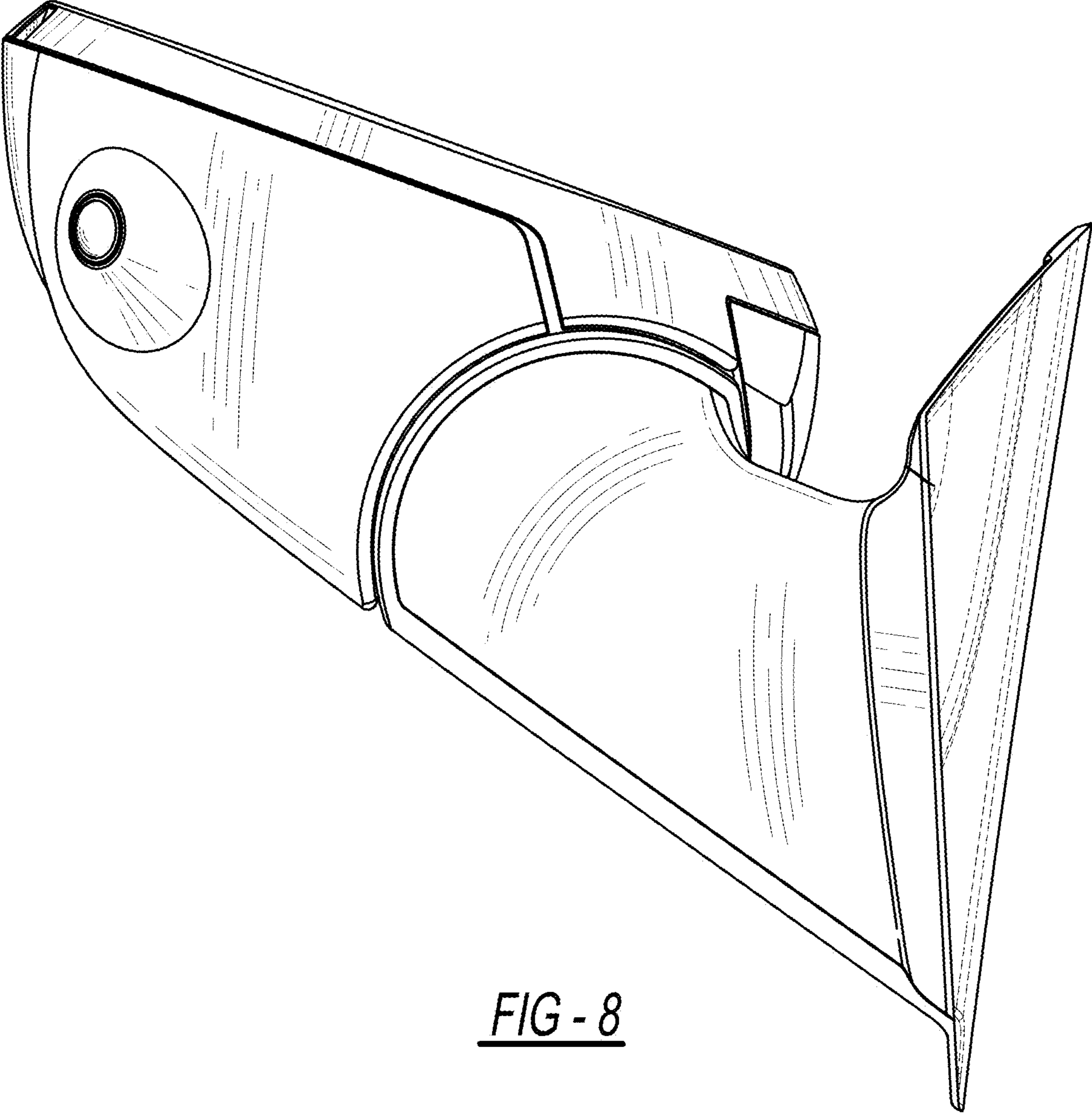


FIG - 8