



US00D932398S

(12) **United States Design Patent** (10) **Patent No.:** **US D932,398 S**  
**Godard et al.** (45) **Date of Patent:** **\*\* Oct. 5, 2021**

(54) **STEERING WHEEL**  
(71) Applicant: **Tesla, Inc.**, Palo Alto, CA (US)  
(72) Inventors: **Felix Louis Godard**, Los Angeles, CA (US); **Joris Aerts**, Amsterdam (NL)  
(73) Assignee: **Tesla, Inc.**, Palo Alto, CA (US)  
(\*\*) Term: **15 Years**  
(21) Appl. No.: **29/658,940**  
(22) Filed: **Aug. 3, 2018**  
(51) **LOC (13) Cl.** ..... **12-16**  
(52) **U.S. Cl.**  
USPC ..... **D12/175**  
(58) **Field of Classification Search**  
USPC ..... D12/174, 175, 176  
CPC ..... B60R 21/203; B60R 21/05; B65D 1/04  
See application file for complete search history.

2020/0207398 A1\* 7/2020 Chen ..... H05B 3/145  
2020/0223471 A1\* 7/2020 Bana Castro ..... B62D 1/04  
2020/0239060 A1\* 7/2020 Hyoudou ..... B62D 1/065

**OTHER PUBLICATIONS**

Motortrend website, Preview Ride: Tesla Model X Prototype, Publication date Feb. 10, 2012, [site visited Aug. 3, 2020], Available on the Internet URL <https://www.motortrend.com/news/tesla-model-x-prototype-ride/> (Year: 2012).\*

\* cited by examiner

*Primary Examiner* — Karen S Acker  
*Assistant Examiner* — Steven B Reinholdt, Jr.  
(74) *Attorney, Agent, or Firm* — Knobbe, Martens, Olson & Bear, LLP

(57) **CLAIM**

The ornamental design for a steering wheel, as shown and described.

**DESCRIPTION**

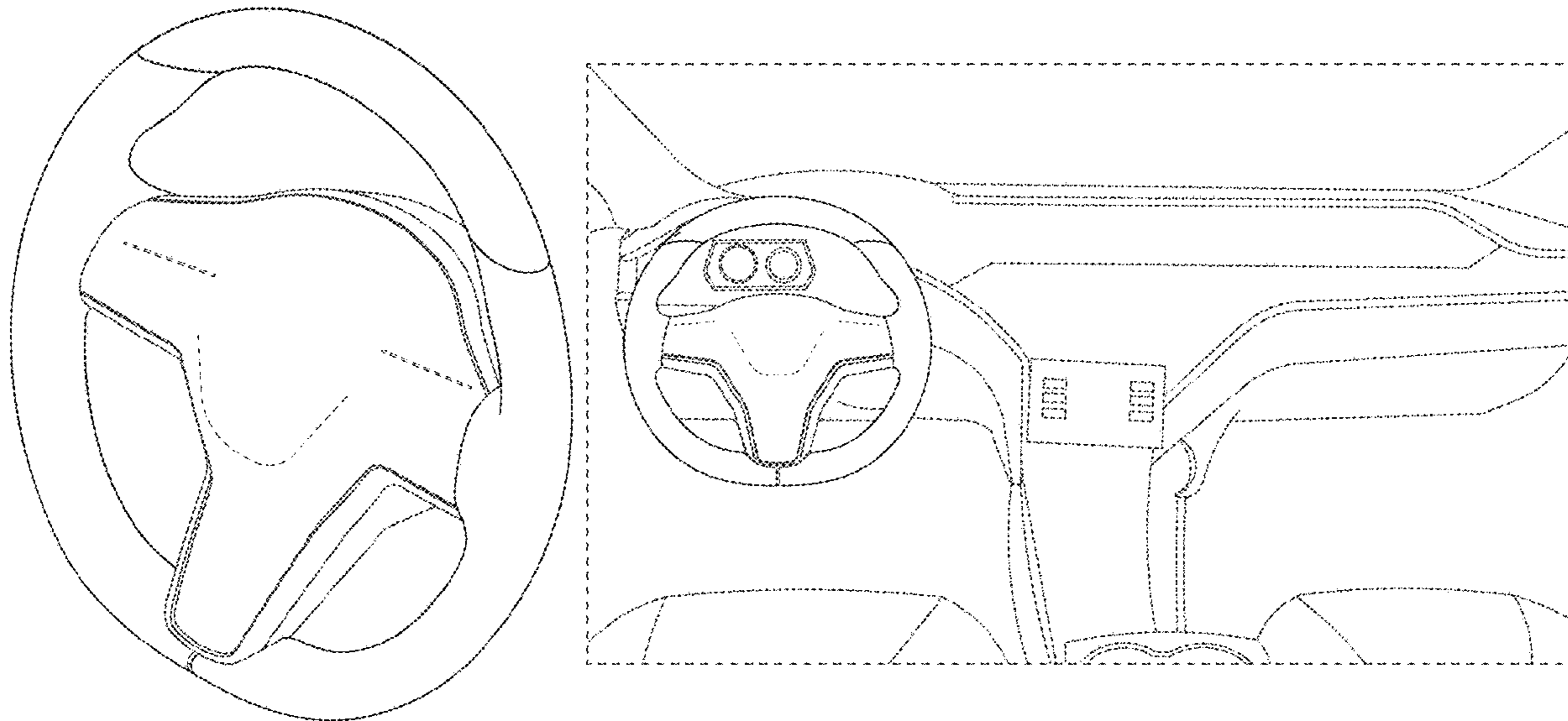
FIG. 1 is a perspective view of a steering wheel.  
FIG. 2 is a front view thereof.  
FIG. 3 is a rear view thereof.  
FIG. 4 is a right-side view thereof.  
FIG. 5 is a top view thereof.  
FIG. 6 is a left-side view thereof.  
FIG. 7 is a bottom view thereof; and,  
FIG. 8 is a front view thereof shown in a use configuration with an environment of a vehicle.  
The broken lines in FIG. 8 depicting the environment of a vehicle interior including the broken line frame around the image form no part of the claimed design.  
The dot-dash-dot broken lines in FIGS. 3 and 7 depict the boundaries of the claim and form no part thereof.

(56) **References Cited**

**U.S. PATENT DOCUMENTS**

D502,903	S	*	3/2005	Hebert	.....	D12/175
D514,485	S	*	2/2006	Juraschek	.....	D12/176
D576,929	S	*	9/2008	Nakajima	.....	D12/176
D593,010	S	*	5/2009	Yamazaki	.....	D12/176
D630,983	S	*	1/2011	Frank	.....	D12/176
D716,203	S	*	10/2014	Nakai	.....	D12/176
D755,095	S	*	5/2016	Blomme	.....	D12/175
D763,748	S	*	8/2016	Maeda	.....	D12/175
D853,290	S	*	7/2019	Helmstetter	.....	D12/175
D853,910	S	*	7/2019	Sandys	.....	D12/176
D875,000	S	*	2/2020	Watola	.....	D12/176
2019/0300039	A1	*	10/2019	Adachi	.....	B62D 1/04
2019/0389489	A1	*	12/2019	Okazaki	.....	B62D 1/06
2020/0039559	A1	*	2/2020	Aerts	.....	H03K 17/962
2020/0189657	A1	*	6/2020	Gothekar	.....	B60Q 5/003

**1 Claim, 8 Drawing Sheets**



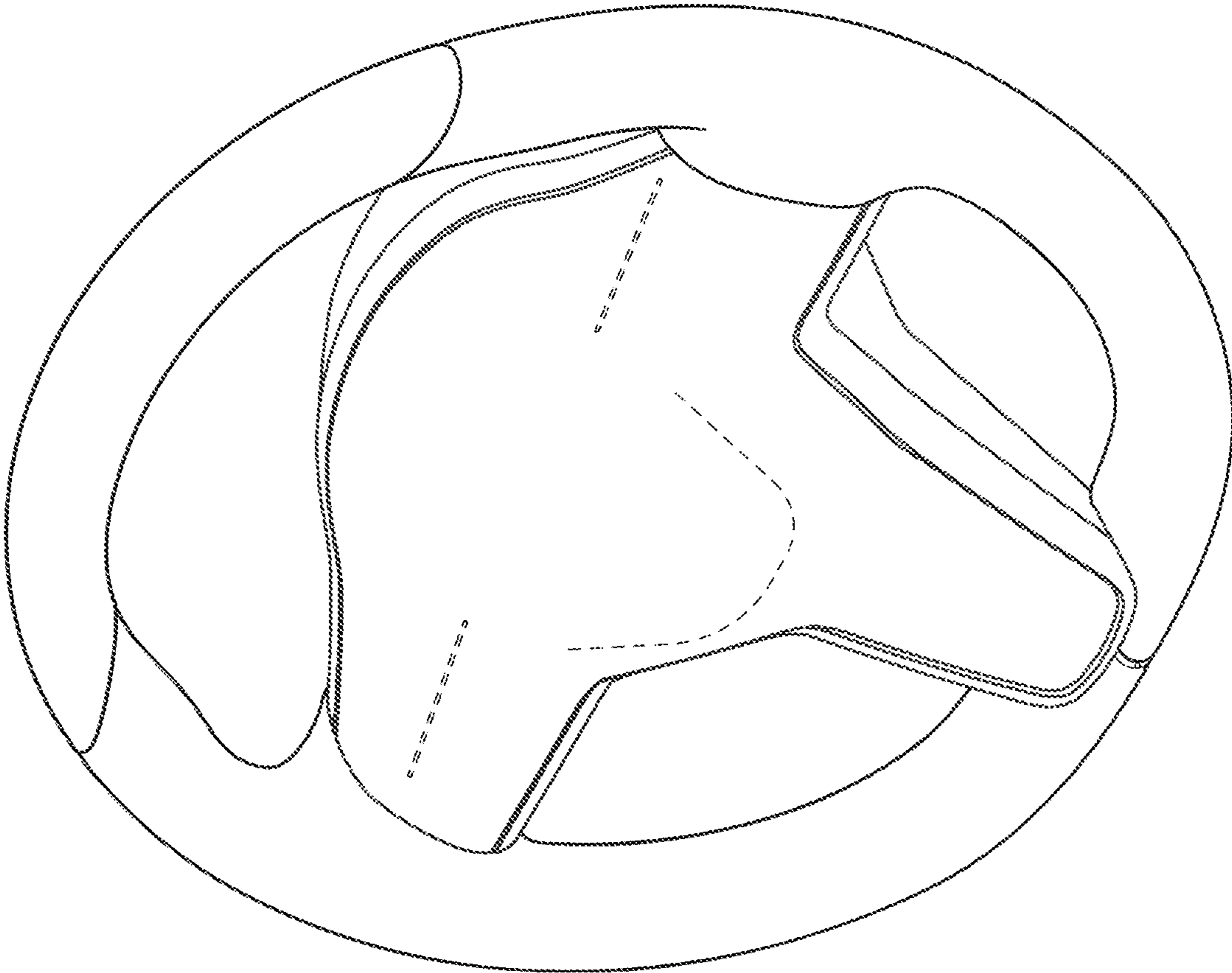


FIG. 1

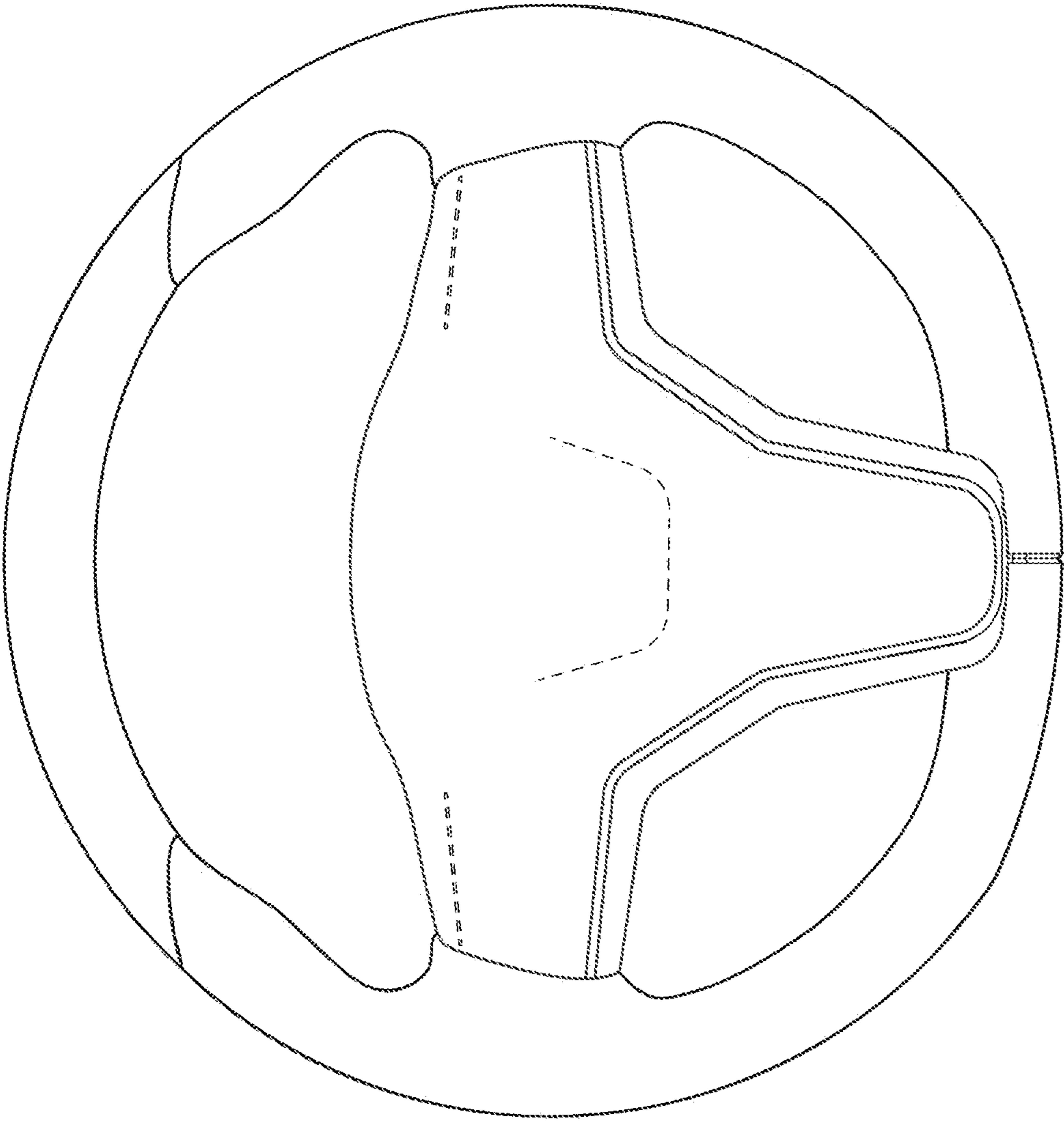


FIG. 2

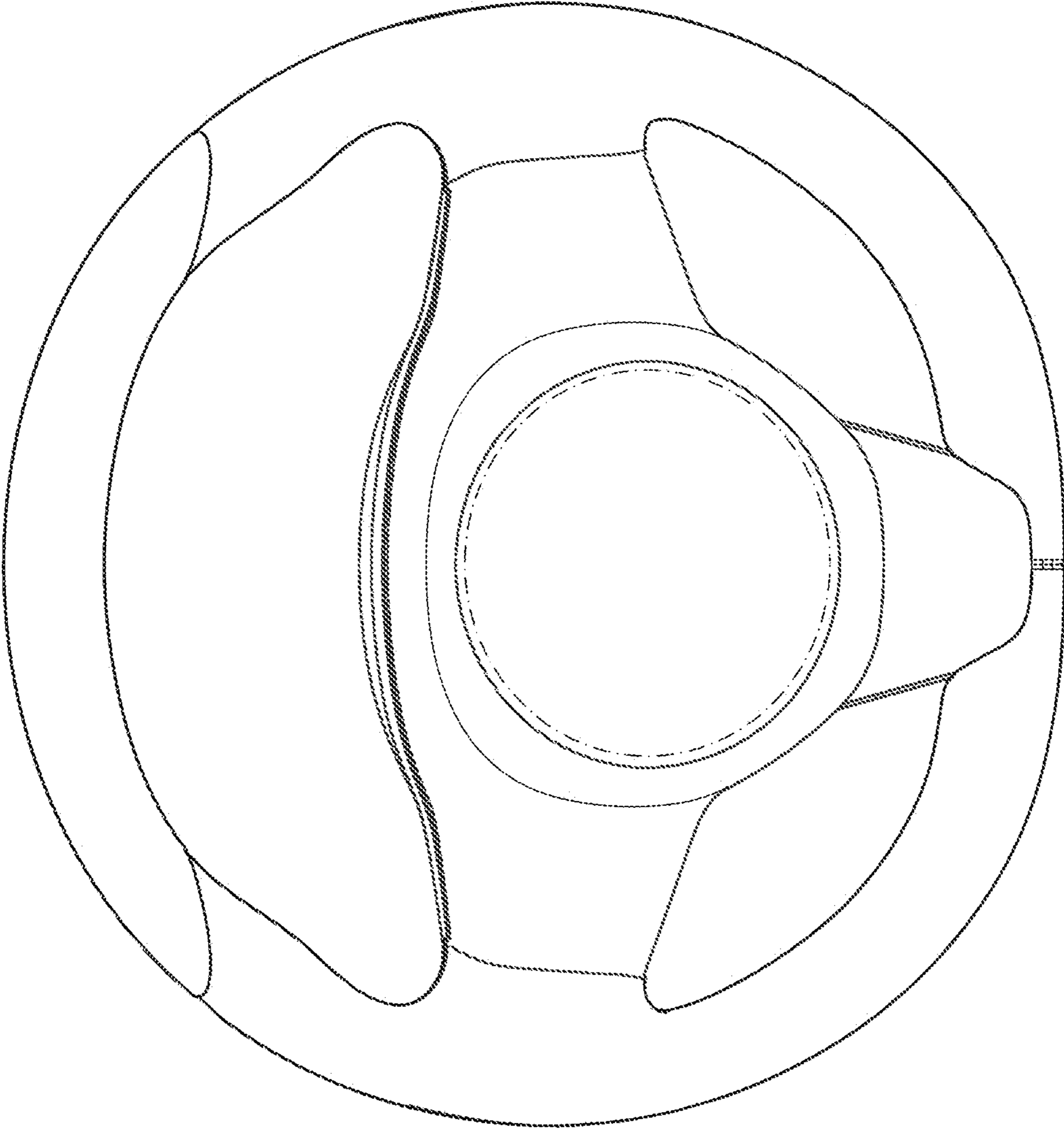


FIG. 3

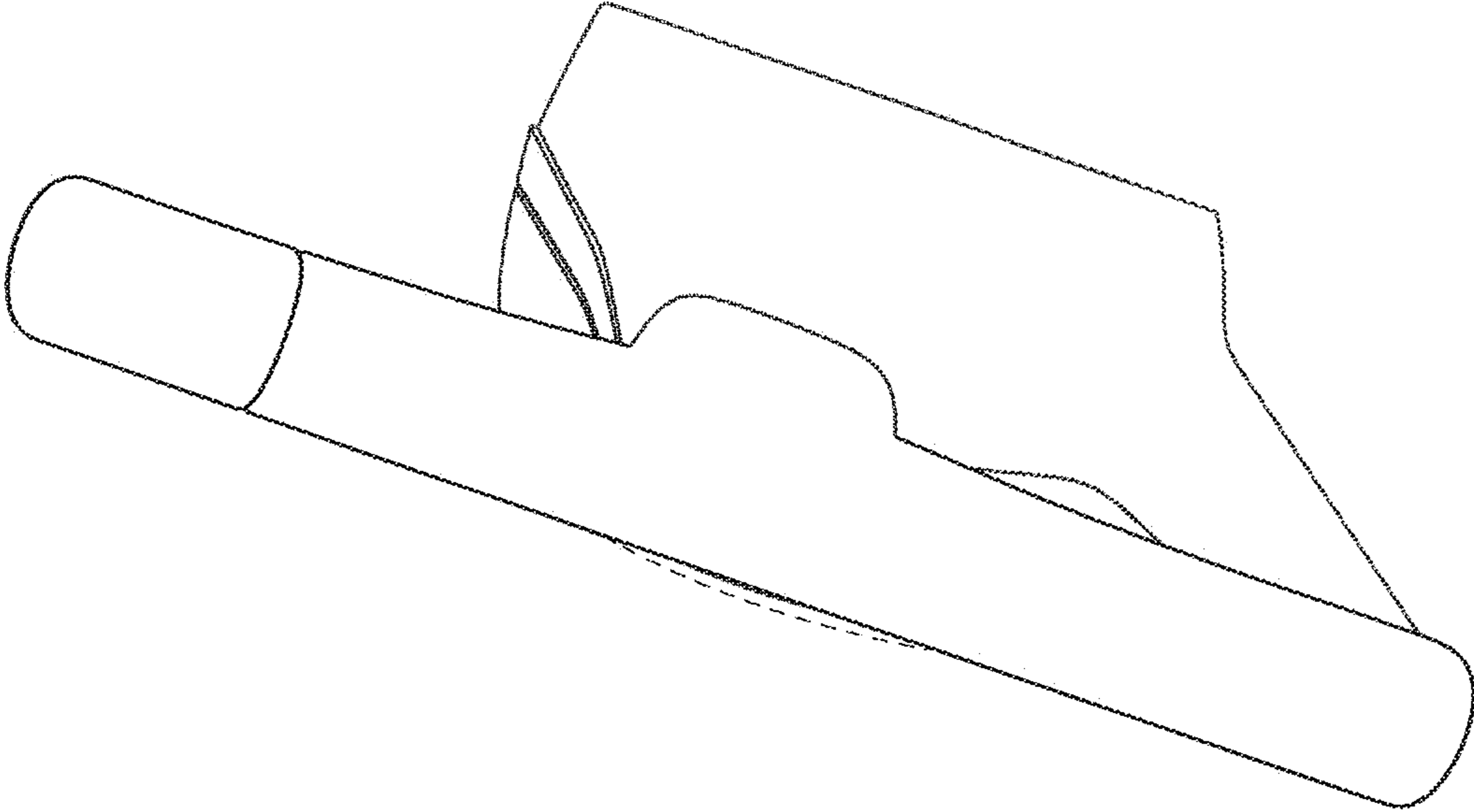


FIG. 4

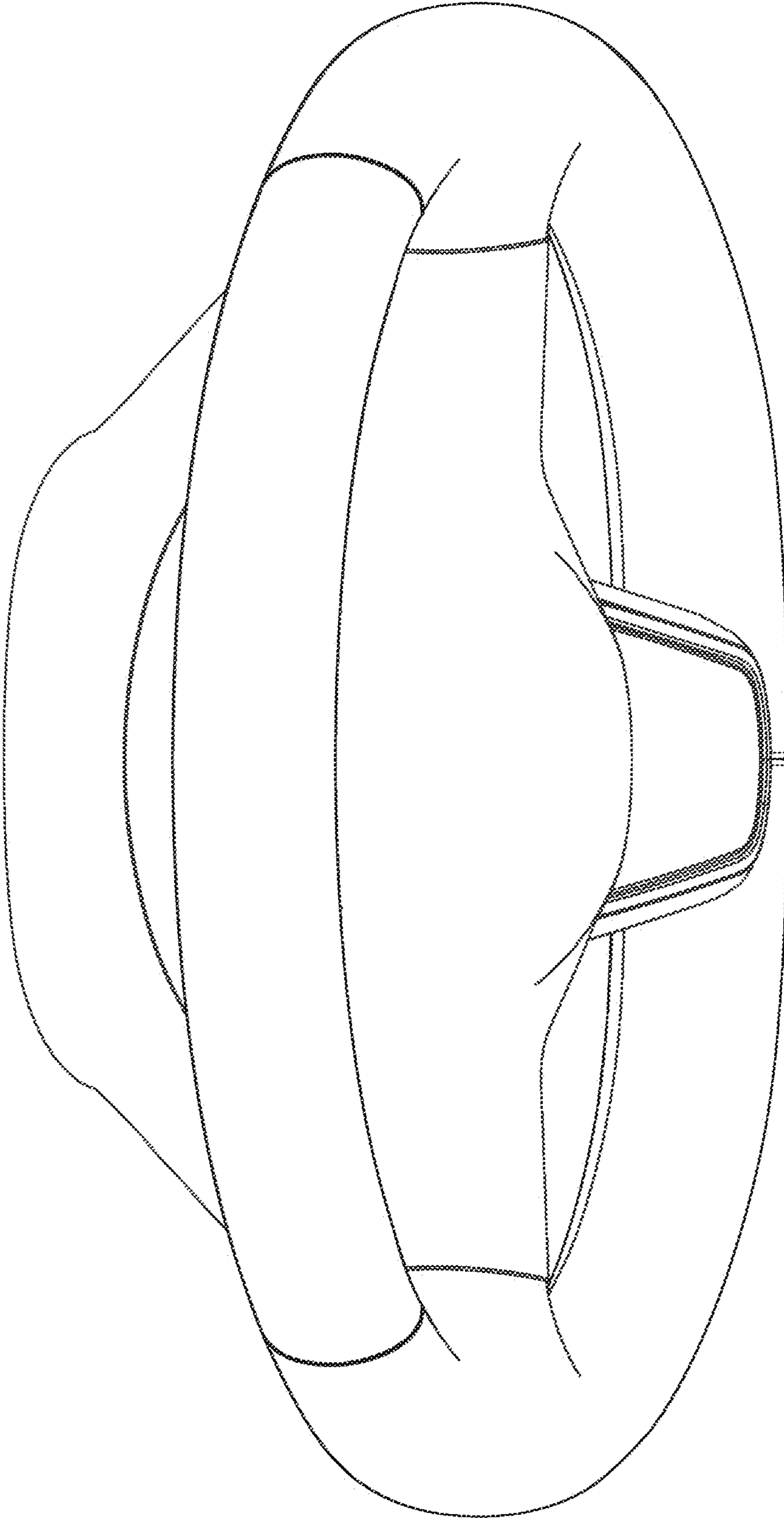
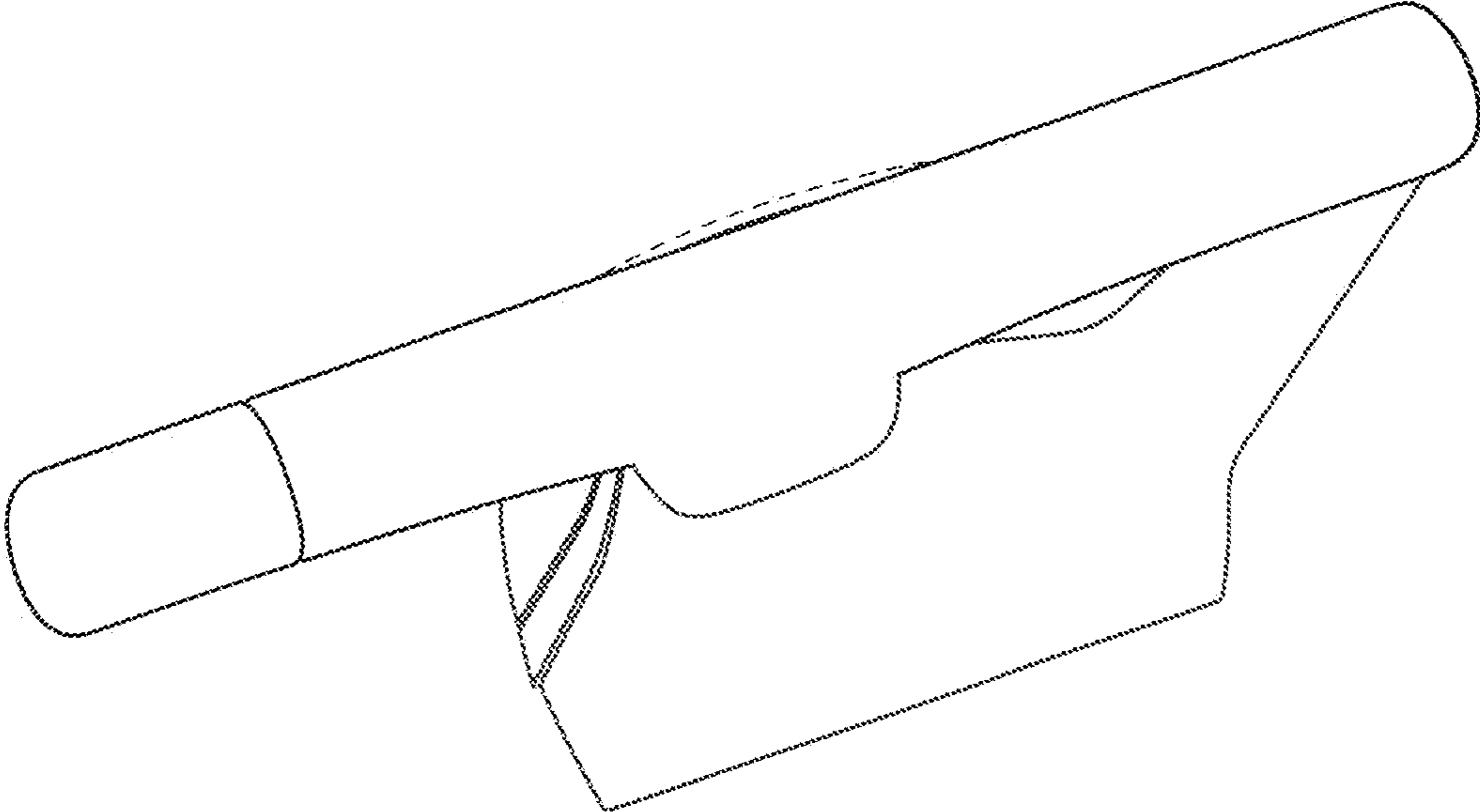


FIG. 5



*FIG. 6*

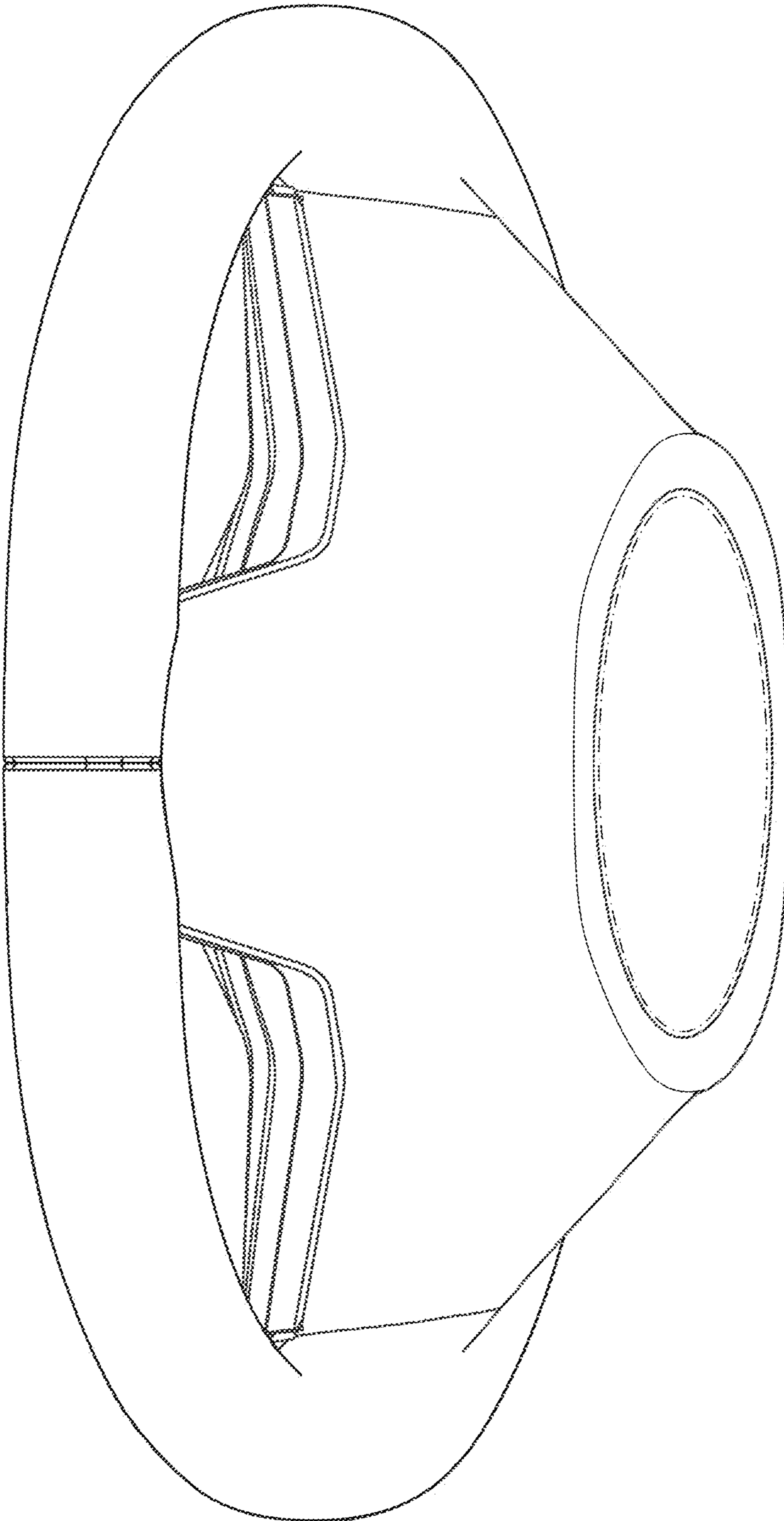


FIG. 7



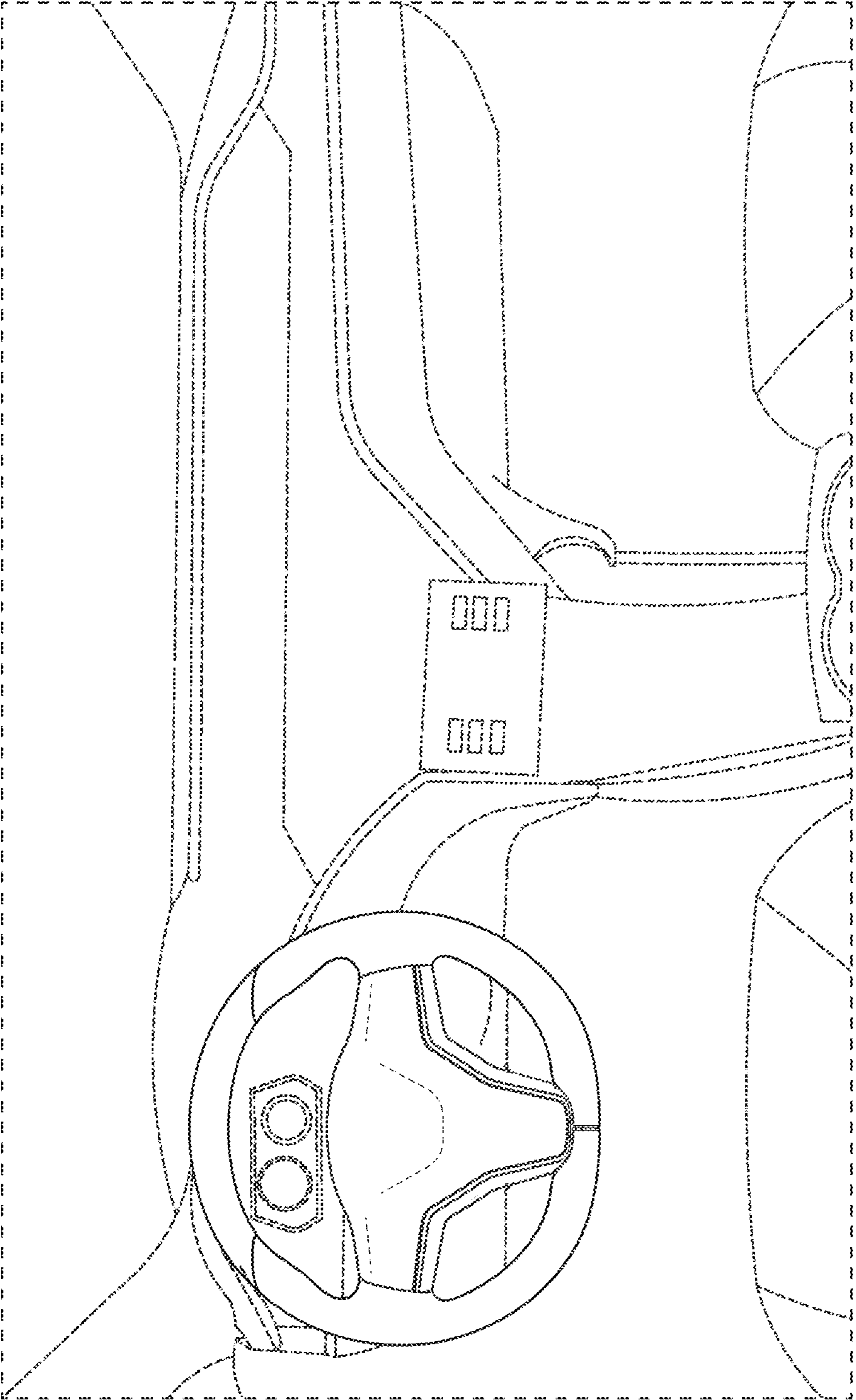


FIG. 8