



US00D932397S

(12) **United States Design Patent**
Kaneko et al.

(10) **Patent No.:** **US D932,397 S**

(45) **Date of Patent:** **** Oct. 5, 2021**

(54) **GRILLE FOR UTILITY VEHICLE**
(71) Applicant: **Kubota Corporation**, Osaka (JP)
(72) Inventors: **Tomonori Kaneko**, Sakai (JP); **Wataru Sasaki**, Sakai (JP)

D607,377 S 1/2010 Shimomura et al.
D609,140 S * 2/2010 Iwasaki D12/163
D610,057 S * 2/2010 Watanabe D12/169
D622,645 S * 8/2010 Ichihara D12/173
D624,848 S 10/2010 Shimomura

(Continued)

(73) Assignee: **KUBOTA CORPORATION**, Osaka (JP)

OTHER PUBLICATIONS

Kubota RTV-X900, www.purplewave.com [online]. Published on or before Dec. 10, 2019, [retrieved on Aug. 30, 2020]. Retrieved from the Internet: <URL: https://www.purplewave.com/auction/191210/item/GC9627/2015-Kubota-RTV-X900-ATV_and_Utility_Vehicles-Utility_Vehicle-Oklahoma> (Year: 2019).*

(**) Term: **15 Years**

Primary Examiner — Christian P. McLean

(21) Appl. No.: **29/694,365**

Assistant Examiner — Adam C Mager

(22) Filed: **Jun. 10, 2019**

(51) **LOC (13) Cl.** **12-08**

(74) *Attorney, Agent, or Firm* — Masuvalley & Partners

(52) **U.S. Cl.**
USPC **D12/173**

(58) **Field of Classification Search**
USPC ... D12/1, 12, 14, 86, 87, 88, 90, 91, 93, 96, D12/164, 169, 170, 171, 172, 173, 181, D12/186, 190, 192, 196, 400
CPC B62D 25/10; B62D 25/105; B62D 25/08; B62D 21/18; B62D 35/00; B62D 35/02; B62D 39/00; B62D 47/00; B62D 47/003; B62D 63/02; B62D 33/00; B62D 33/0617; B60R 13/0838; B60R 2019/026; B60R 19/02; B60R 19/04; B60R 19/18; B60R 19/44; B60R 19/48; B60R 2021/0074; B60R 2021/0081; B60R 2021/0083; B60R 2021/0097; B60R 9/06; B60K 17/356; A01B 59/02; B60L 2200/22; B60L 2200/40; B60Y 2200/86; B60Y 2200/91

See application file for complete search history.

(57) **CLAIM**

The ornamental design for a grille for utility vehicle, as shown and described.

DESCRIPTION

FIG. 1 is a perspective view of a grille for utility vehicle according to the invention;
FIG. 2 is a front elevation view of the grille for utility vehicle of FIG. 1;
FIG. 3 is a rear elevation view of the grille for utility vehicle of FIG. 1;
FIG. 4 is a top plan view of the grille for utility vehicle of FIG. 1;
FIG. 5 is a bottom plan view of the grille for utility vehicle of FIG. 1;
FIG. 6 is a right side elevation view of the grille for utility vehicle of FIG. 1; and,
FIG. 7 is a left side elevation of grille for utility vehicle of FIG. 1.

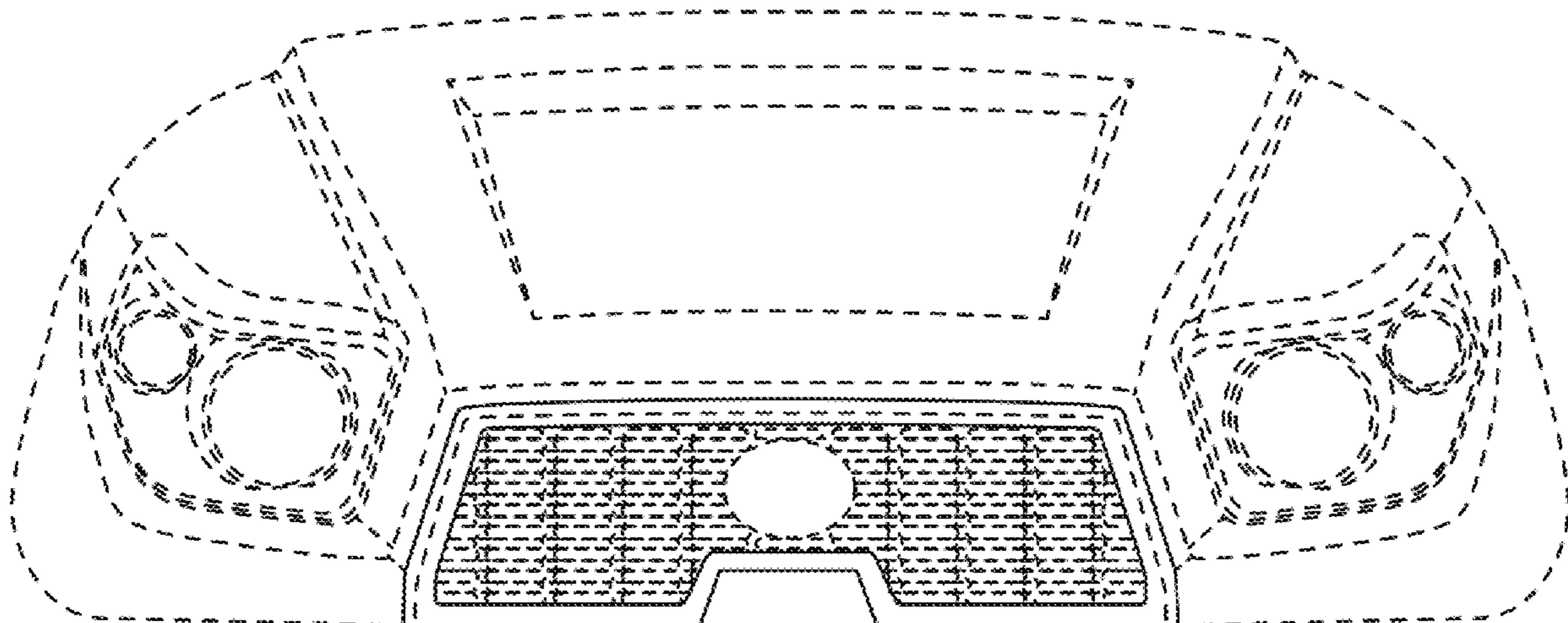
The broken line showing of the grille for utility vehicle is for the purpose of illustrating portions of the grille for utility vehicle and forms no part of the claimed design.

(56) **References Cited**

U.S. PATENT DOCUMENTS

D516,472 S * 3/2006 Taguchi D12/169
D539,195 S * 3/2007 Shimoguchi D12/163
D585,344 S * 1/2009 Tomita D12/169
D594,038 S 6/2009 Shimomura
D600,170 S * 9/2009 Endoh D12/163

1 Claim, 7 Drawing Sheets



(56)

References Cited

U.S. PATENT DOCUMENTS

D629,335 S 12/2010 Shimomura
D629,729 S * 12/2010 Akasawa D12/169
D637,530 S * 5/2011 Aris D12/163
D678,825 S * 3/2013 Akamine D12/169
8,678,482 B2 * 3/2014 O'Brien B62D 25/10
296/193.11
D711,778 S * 8/2014 Chun D12/14
D715,689 S * 10/2014 Higashikawa D12/14
D716,185 S 10/2014 Higashikawa
D716,693 S * 11/2014 Higashikawa D12/14
D716,694 S * 11/2014 Higashikawa D12/14
D730,239 S * 5/2015 Gonzalez D12/14
D756,275 S * 5/2016 Ino D12/169
D763,144 S * 8/2016 Platto D12/169
D764,349 S * 8/2016 Kuramoto D12/14
D764,972 S * 8/2016 Gonzalez D12/14
D778,784 S 2/2017 Hirooka
D786,747 S * 5/2017 Woolley D12/169
D793,291 S * 8/2017 Rudwal D12/163
D814,347 S * 4/2018 Kushita D12/14
D836,502 S * 12/2018 Koo D12/163
D836,503 S * 12/2018 Koo D12/163
D837,702 S * 1/2019 Gander D12/173
D850,994 S * 6/2019 Dewitt D12/169
D859,241 S * 9/2019 Asano D12/169
D882,702 S * 4/2020 Talios D21/433
2020/0353859 A1 * 11/2020 Oxner B60Q 1/0076

* cited by examiner

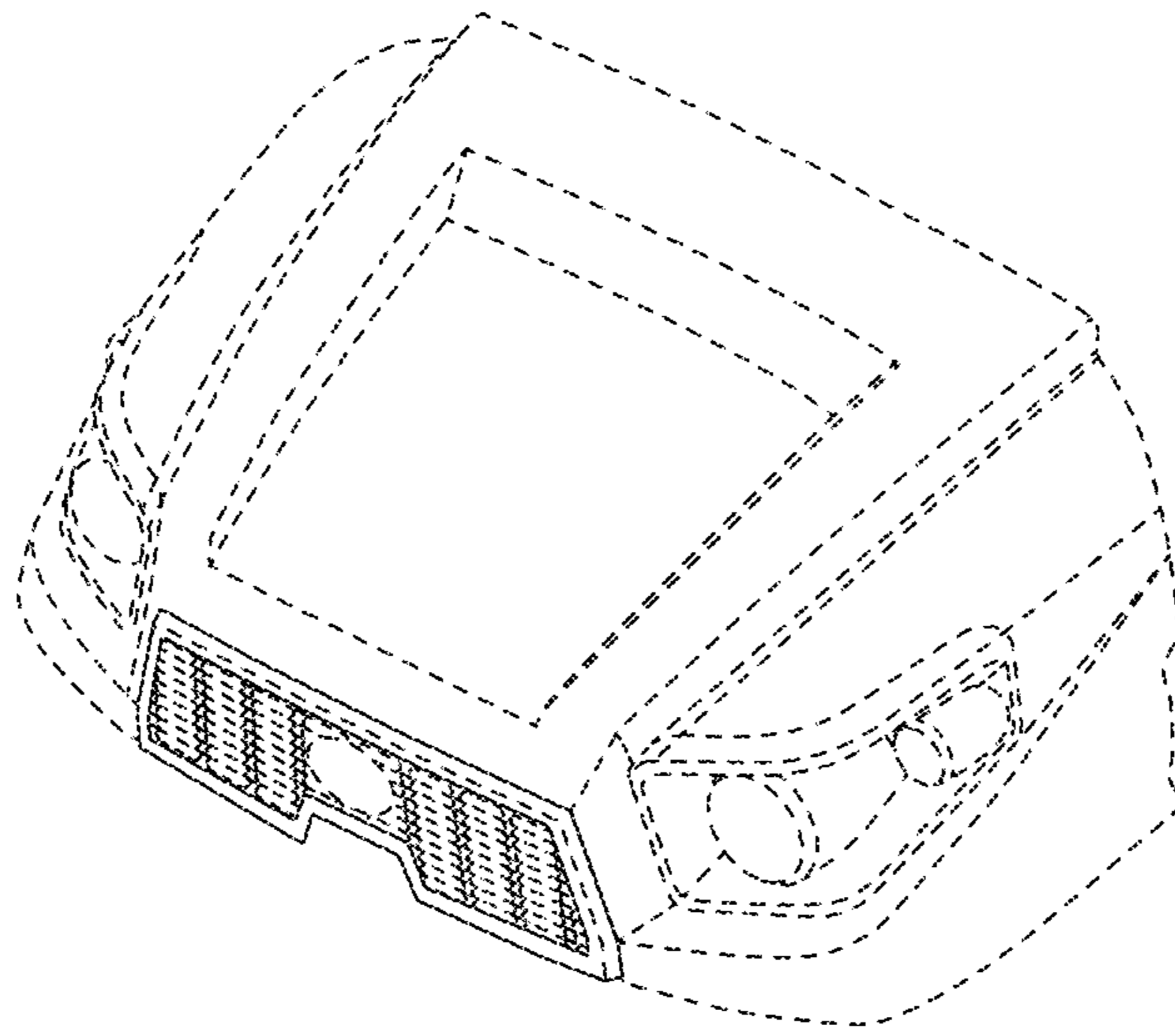


FIG. 1

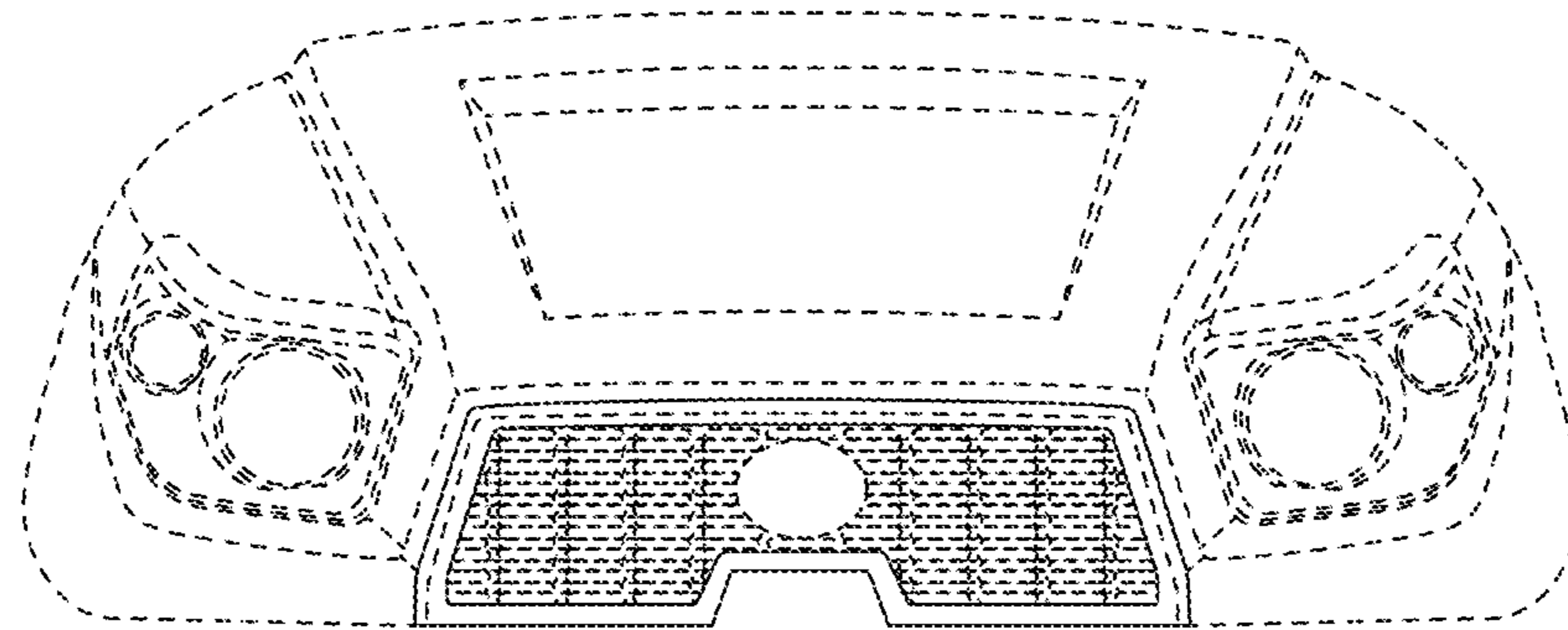


FIG. 2

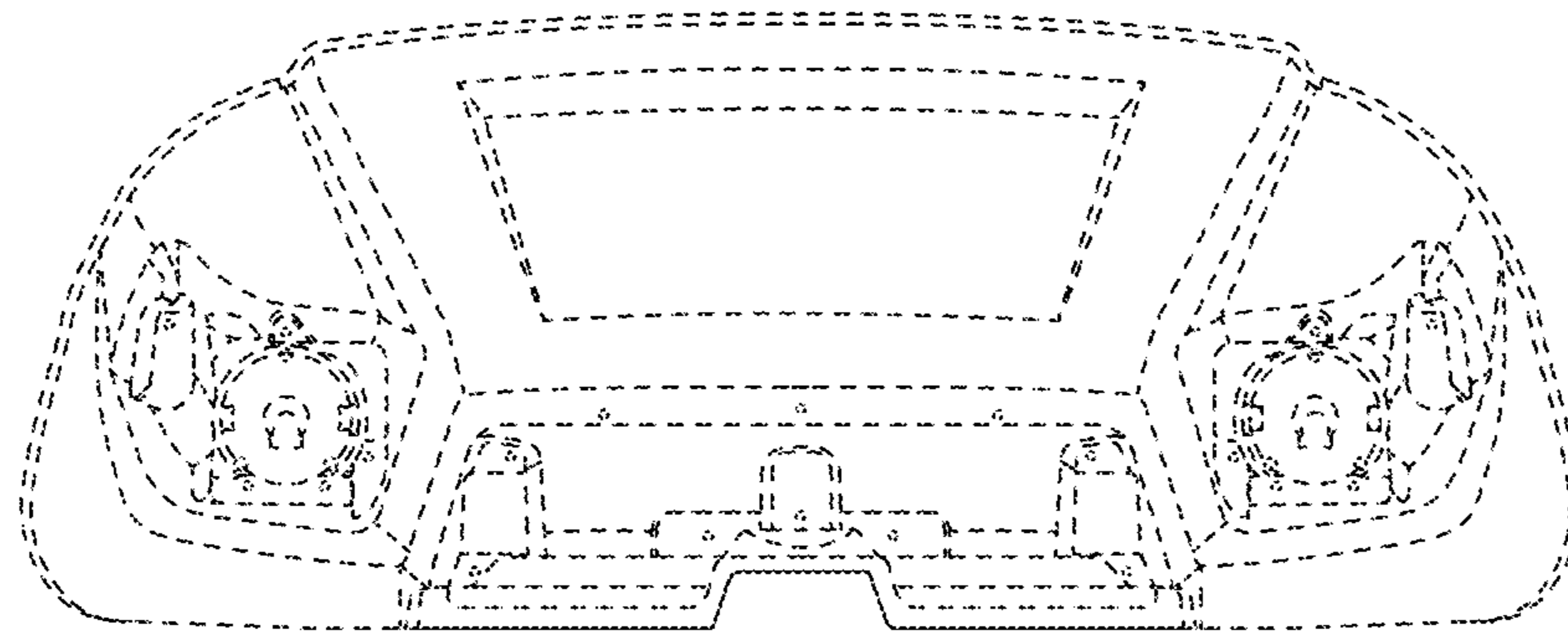


FIG. 3

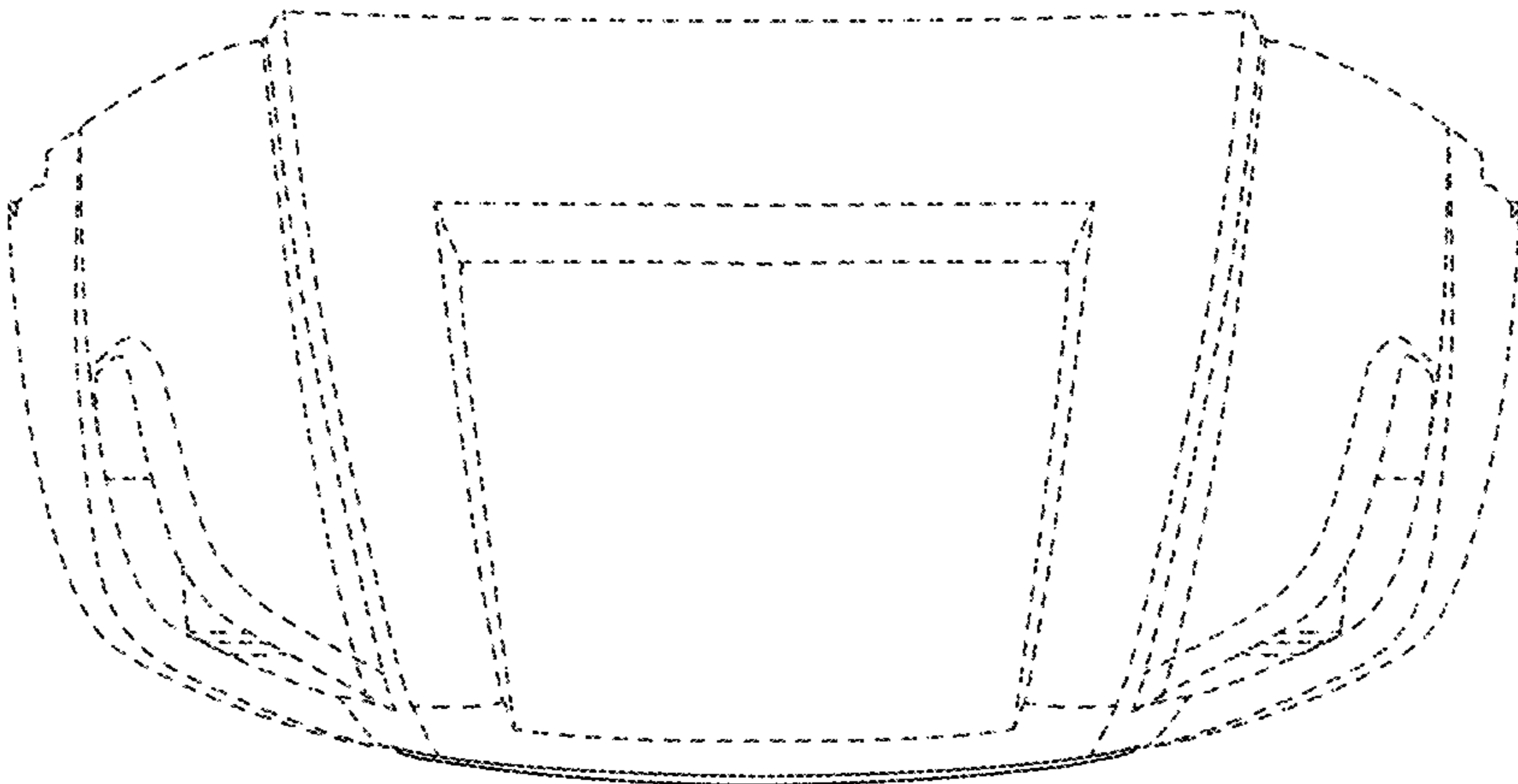


FIG. 4

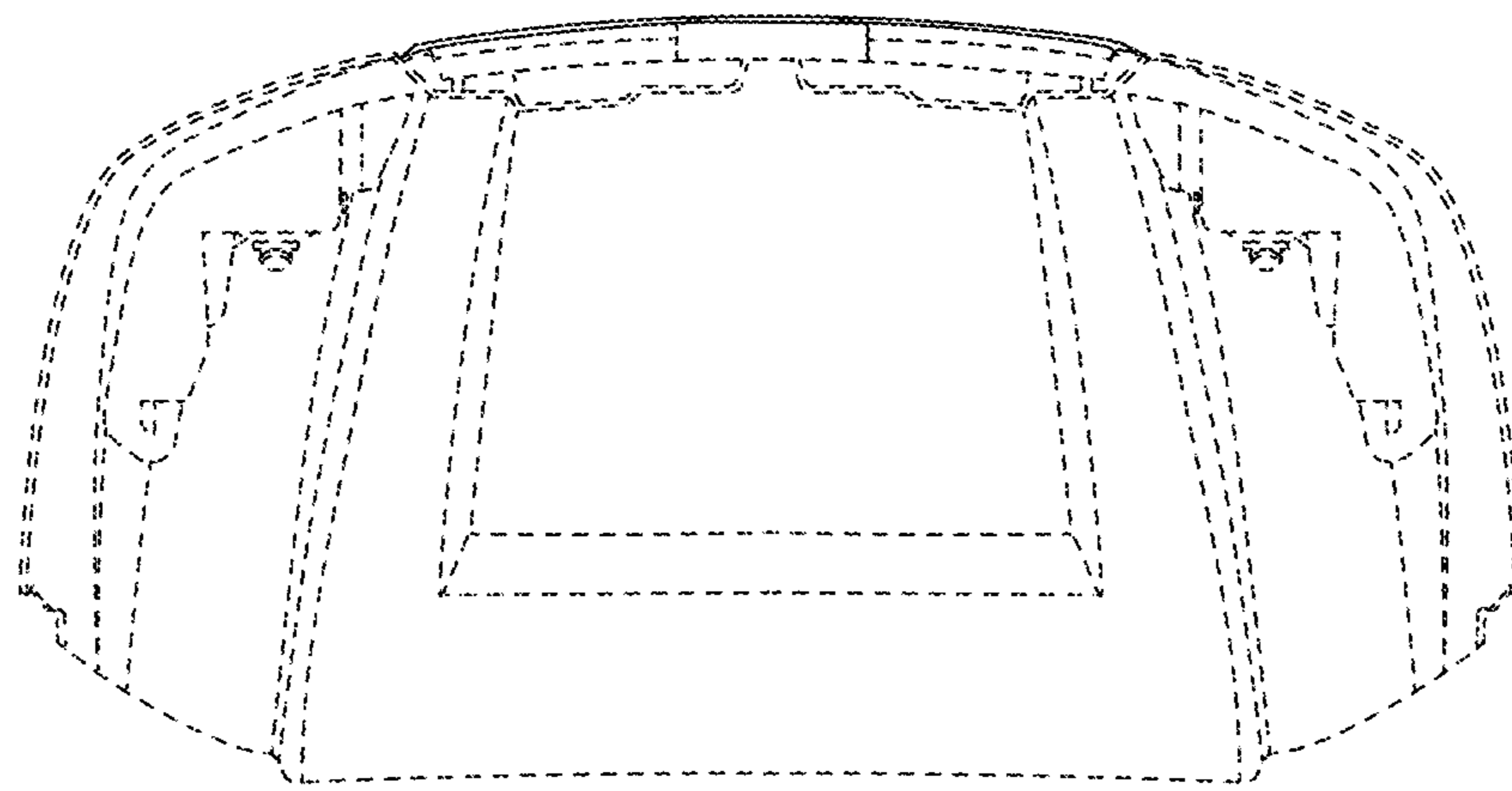


FIG. 5

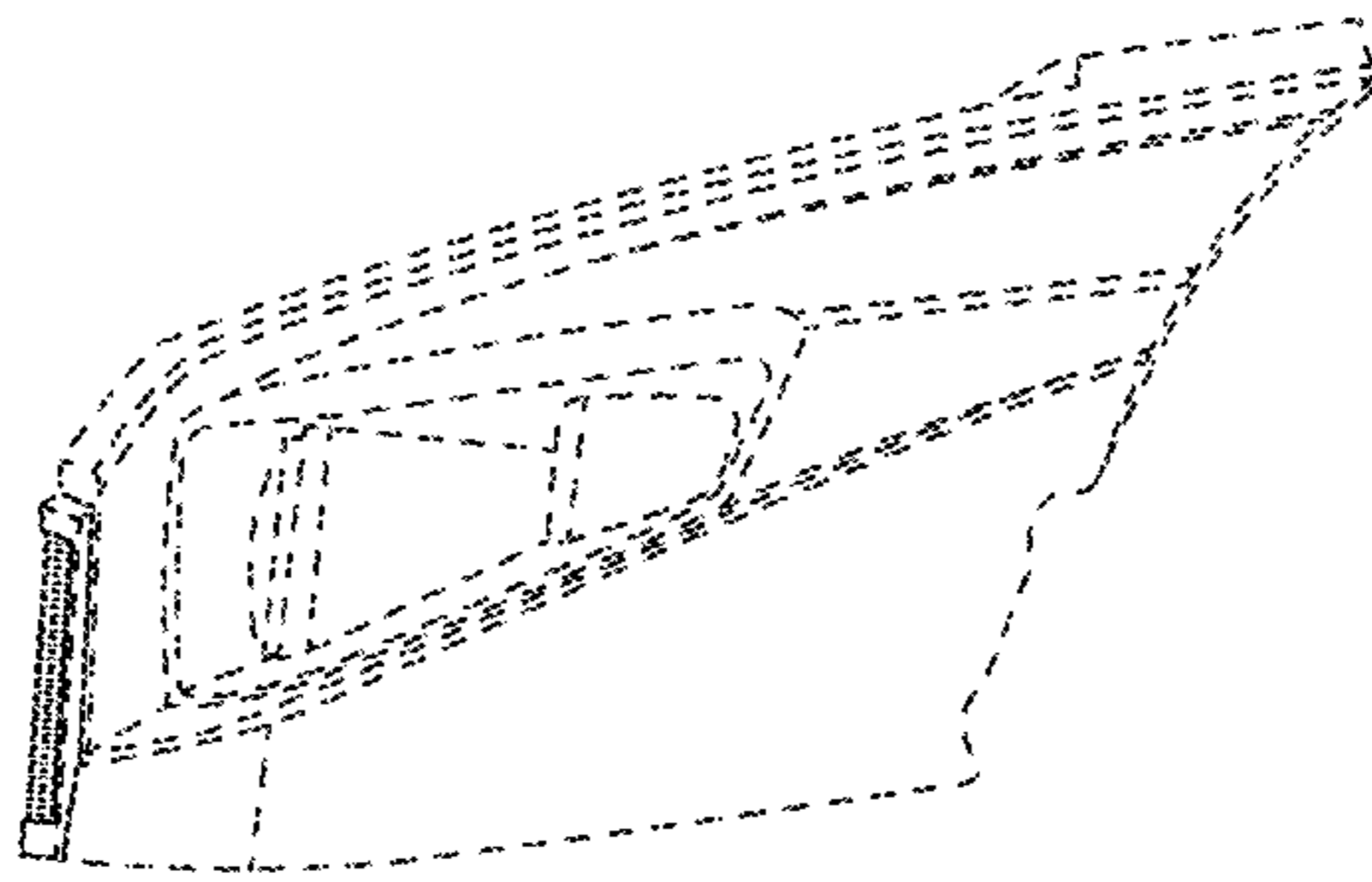


FIG. 6

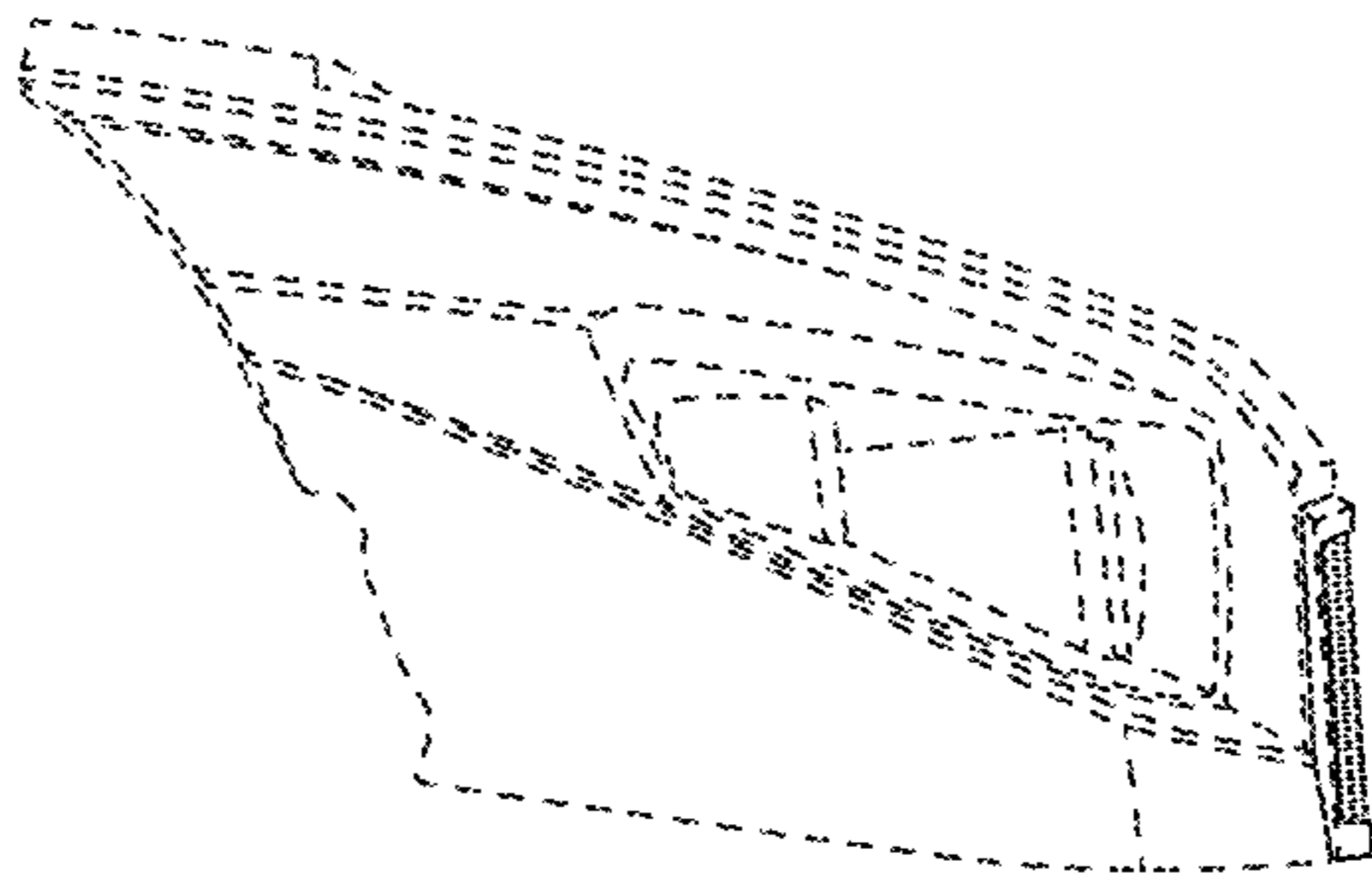


FIG. 7