



US00D932396S

(12) **United States Design Patent** (10) **Patent No.:** **US D932,396 S**
Giumentaro (45) **Date of Patent:** **** Oct. 5, 2021**

(54) **VEHICLE BUMPER UNIT**
 (71) Applicant: **VOLKSWAGEN AKTIENGESELLSCHAFT,**
 Wolfsburg (DE)
 (72) Inventor: **Marco Giumentaro,** Wolfsburg (DE)
 (73) Assignee: **VOLKSWAGEN AKTIENGESELLSCHAFT,**
 Wolfsburg (DE)

D736,683 S * 8/2015 Glover D12/169
 D855,502 S * 8/2019 Behmer D12/163
 D877,668 S * 3/2020 Bucher D12/169
 D885,994 S * 6/2020 Metros D12/163
 D887,317 S * 6/2020 Metros D12/163
 D901,342 S * 11/2020 Yang D12/163
 D902,093 S * 11/2020 Behmer D12/163
 D910,503 S * 2/2021 Battams D12/163
 D911,231 S * 2/2021 Bucher D12/169
 D914,554 S * 3/2021 Bischoff D12/169
 D915,957 S * 4/2021 Bischoff D12/169

FOREIGN PATENT DOCUMENTS

(**) Term: **15 Years**

DE DM206351 2/2020
 DE DM088222 10/2020

(21) Appl. No.: **29/752,192**

* cited by examiner

(22) Filed: **Sep. 25, 2020**

Primary Examiner — Melody N Brown

(30) **Foreign Application Priority Data**

(74) *Attorney, Agent, or Firm* — Lucas & Mercanti, LLP;
 Klaus P. Stoffel

Jun. 17, 2020 (WO) 95504

(51) **LOC (13) Cl.** **12-16**

(52) **U.S. Cl.**
 USPC **D12/169**

(58) **Field of Classification Search**
 USPC D12/169, 163, 196, 86, 90-92;
 296/180.1, 180.2; 293/102, 113, 115,
 293/117, 120

CPC B60R 19/52; B60R 2019/25; B62D 25/084
 See application file for complete search history.

(56) **References Cited**

U.S. PATENT DOCUMENTS

D600,602 S * 9/2009 Endoh D12/169
 D664,904 S * 8/2012 Koyama D12/169
 D708,997 S * 7/2014 Koizumi D12/169

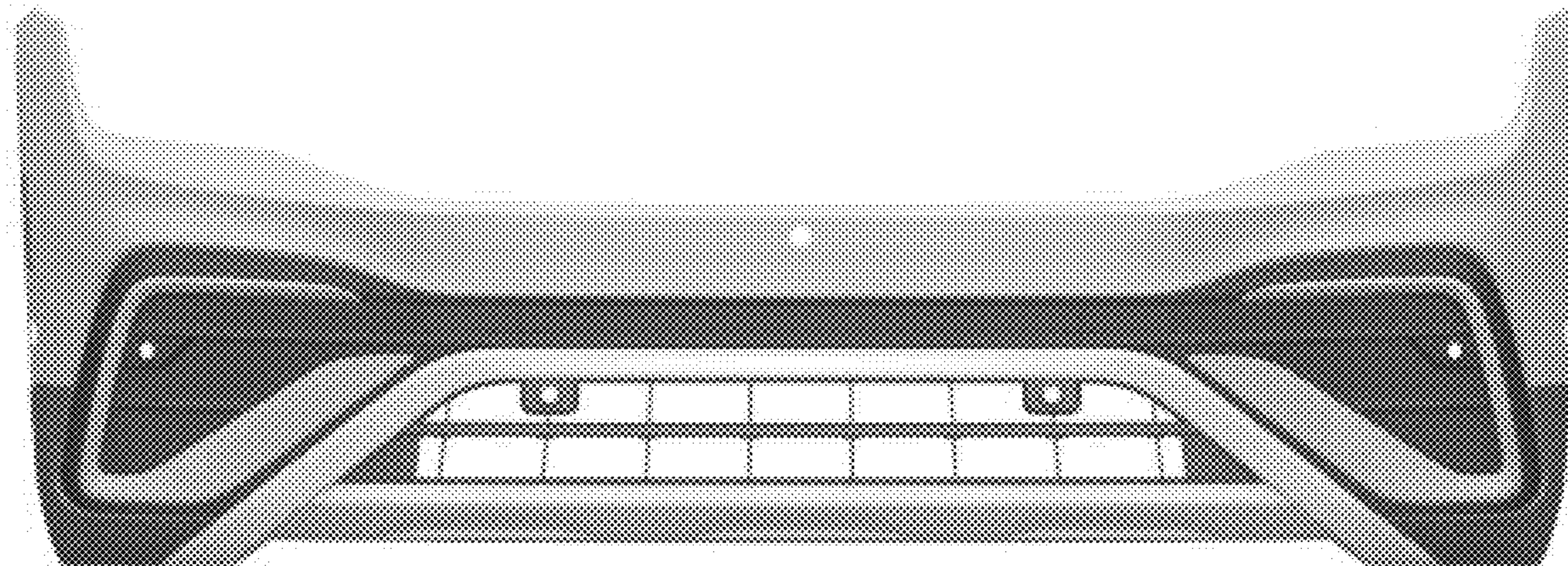
(57) **CLAIM**

The ornamental design for a vehicle bumper unit, as shown and described.

DESCRIPTION

FIG. 1 is a front and left side perspective view of a vehicle bumper unit showing our new design;
 FIG. 2 is a rear and right side perspective view thereof;
 FIG. 3 is a front view thereof;
 FIG. 4 is a rear view thereof;
 FIG. 5 is a left side view thereof;
 FIG. 6 is a right side view thereof;
 FIG. 7 is a top view thereof; and,
 FIG. 8 is a bottom view thereof.

1 Claim, 8 Drawing Sheets



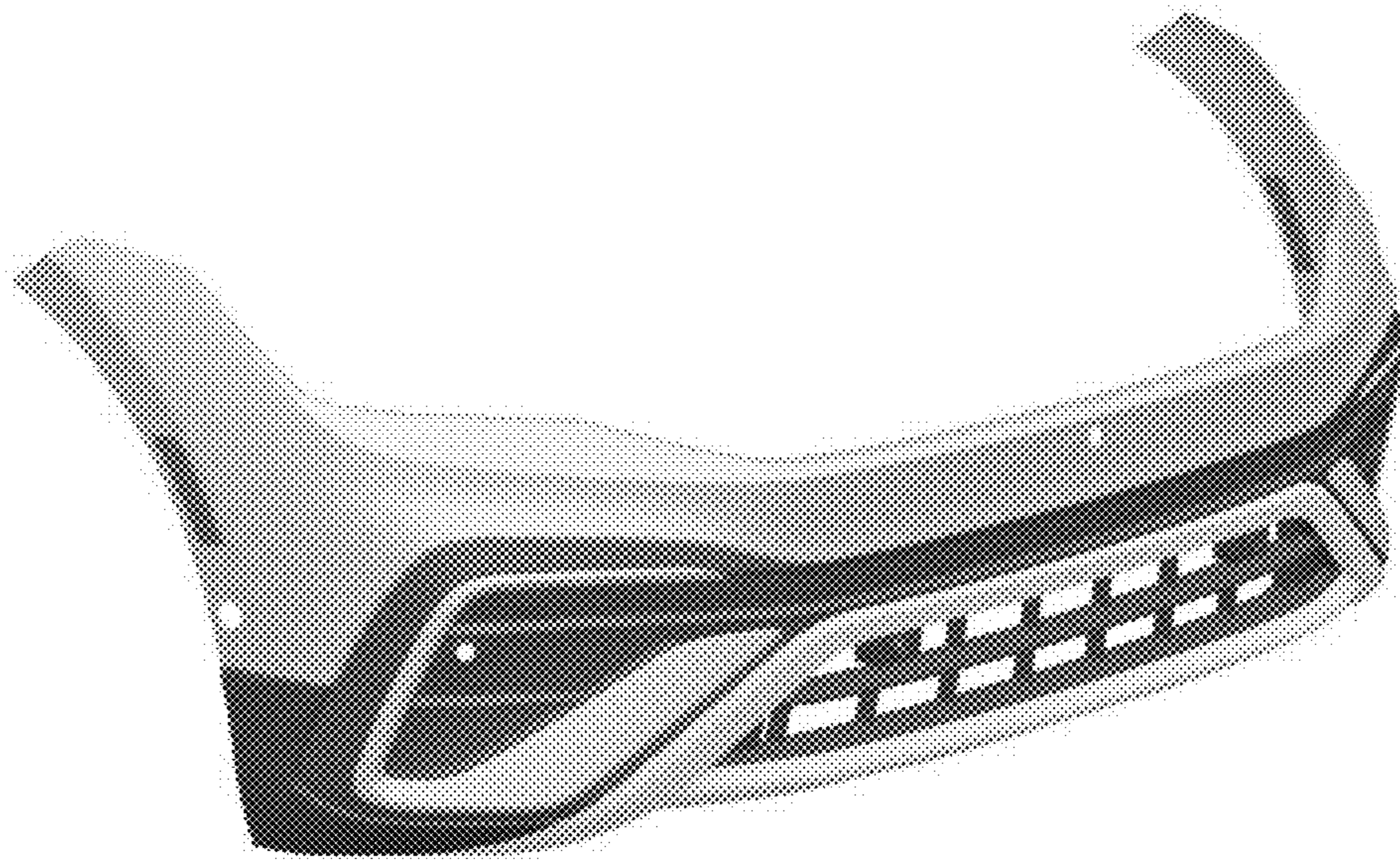


Fig. 1

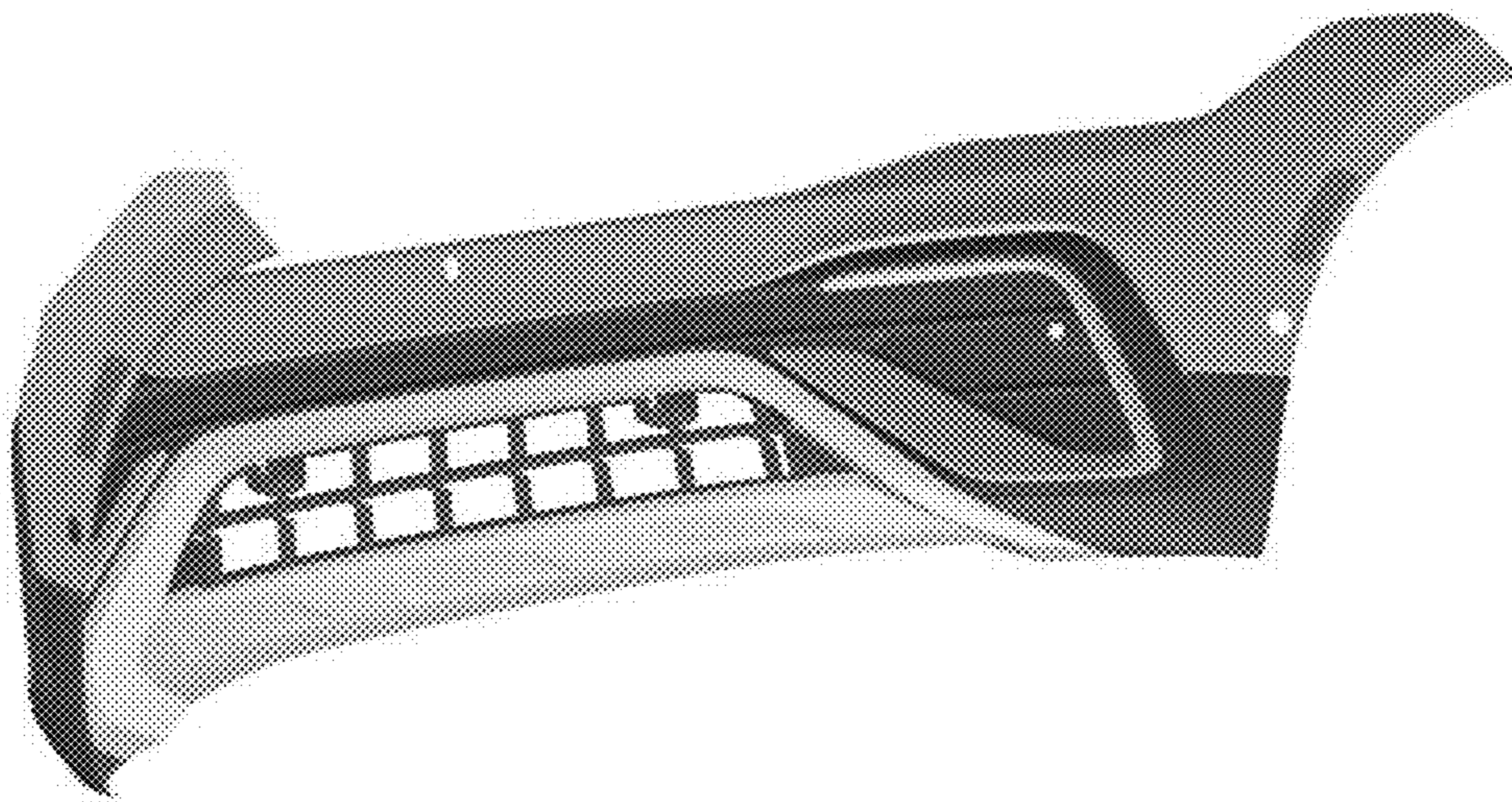


Fig. 2

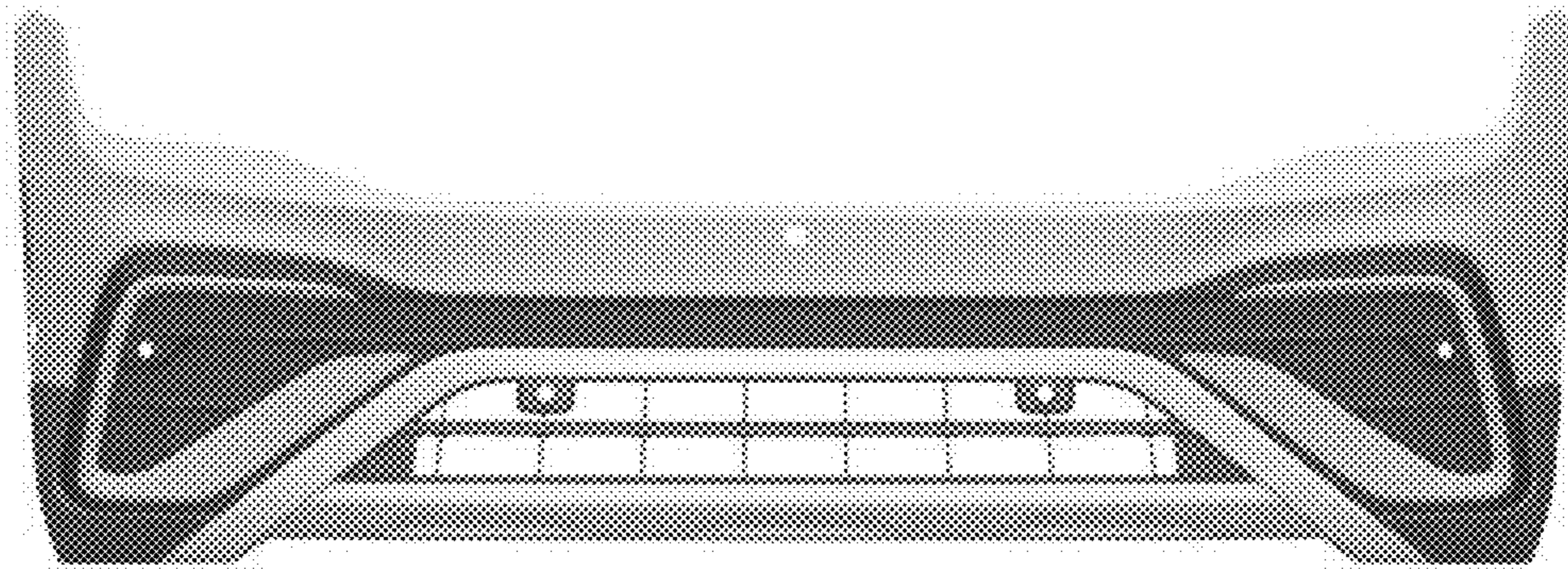


Fig. 3

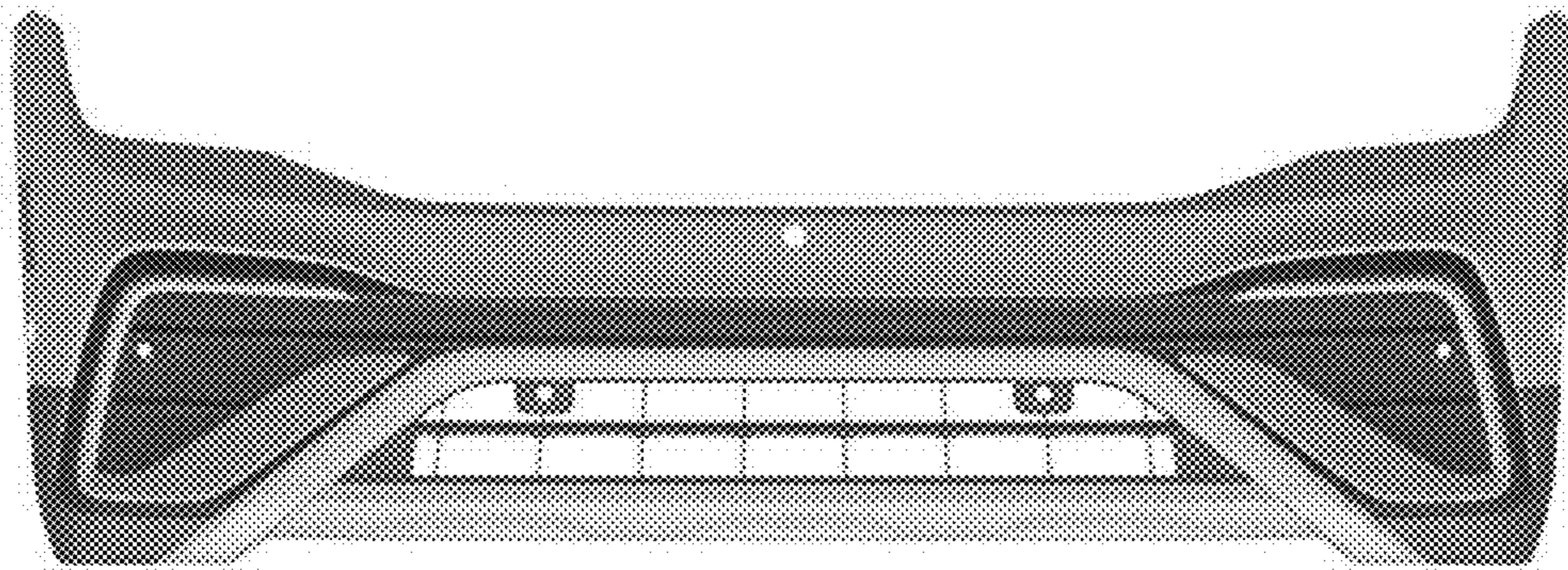


Fig. 4

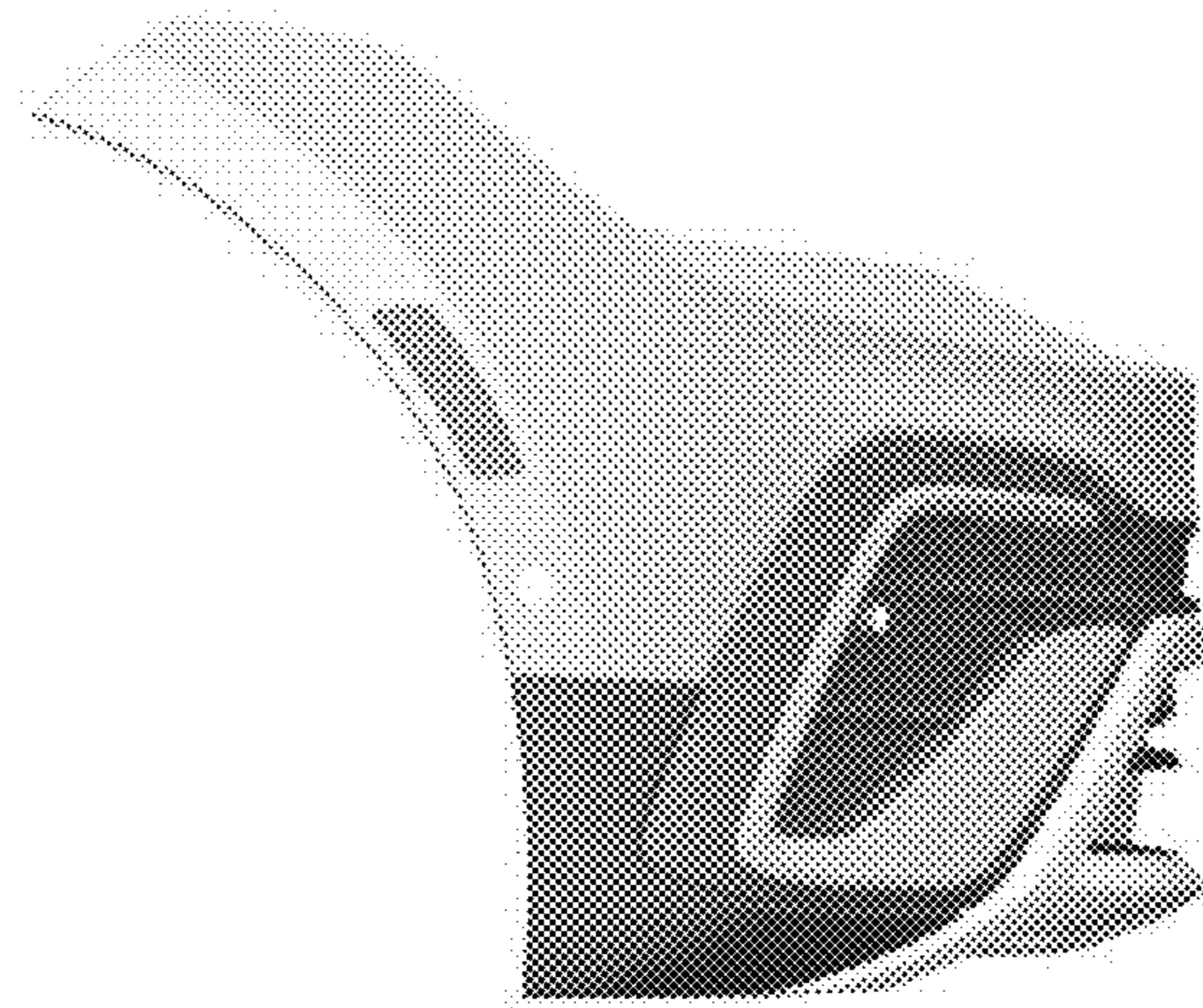


Fig. 5

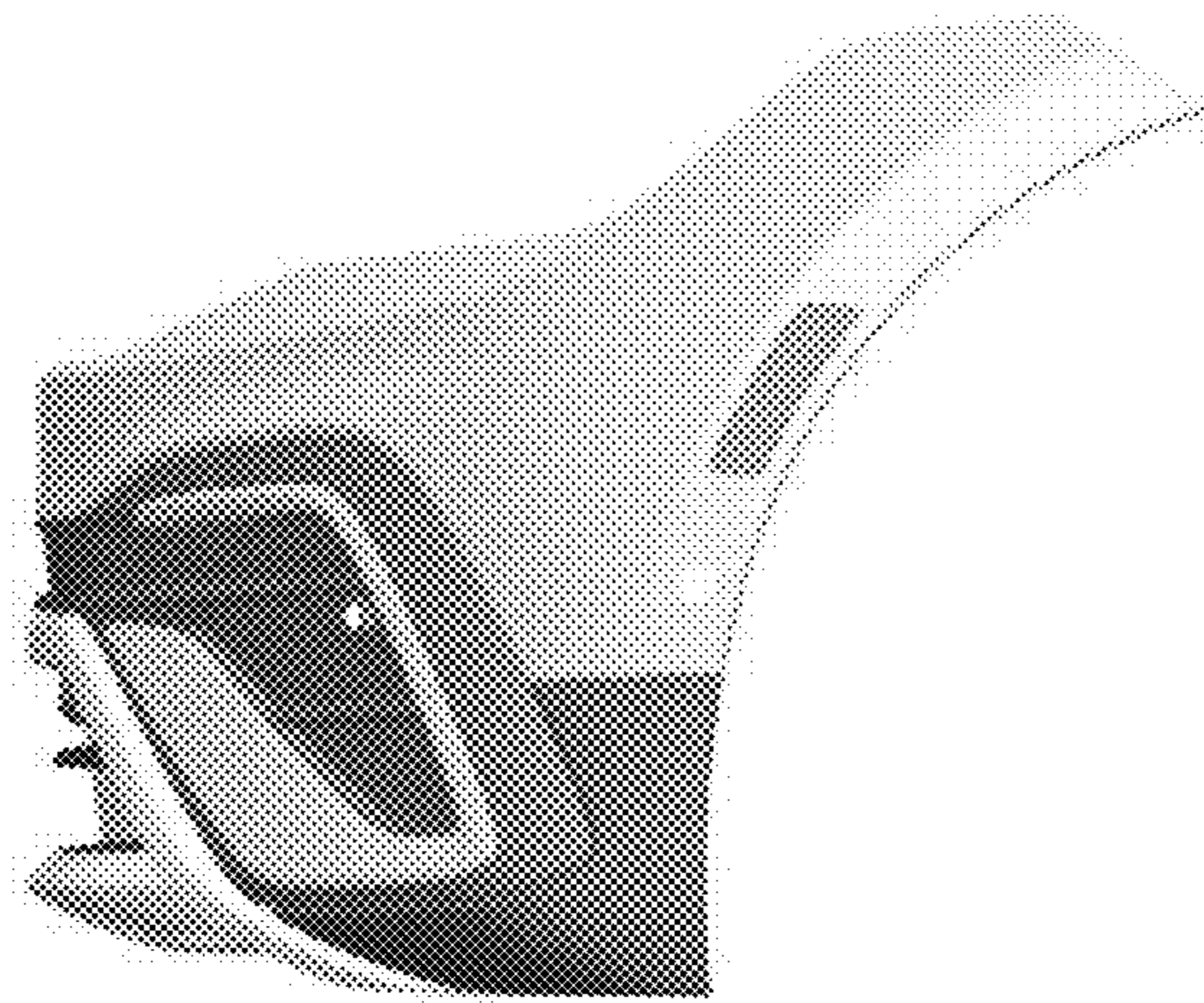


Fig. 6

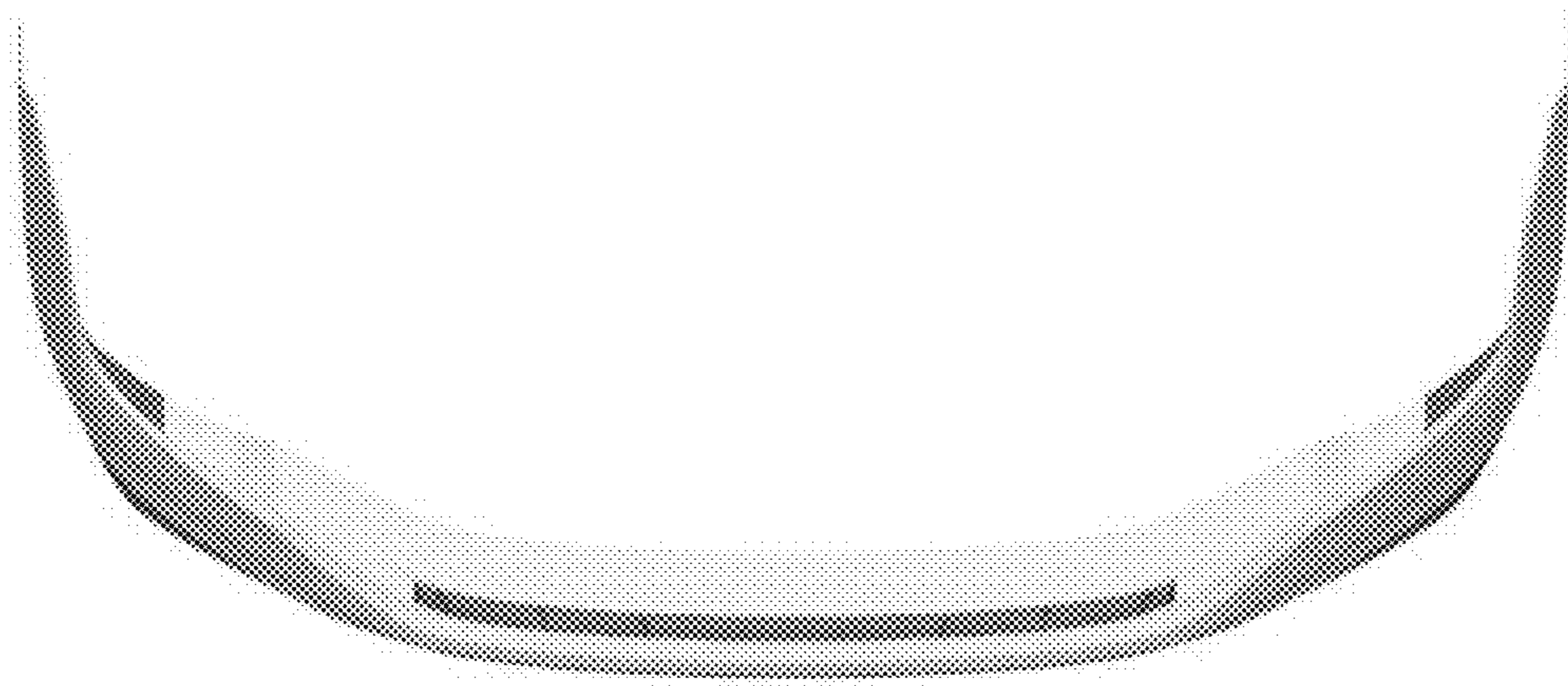


Fig. 7

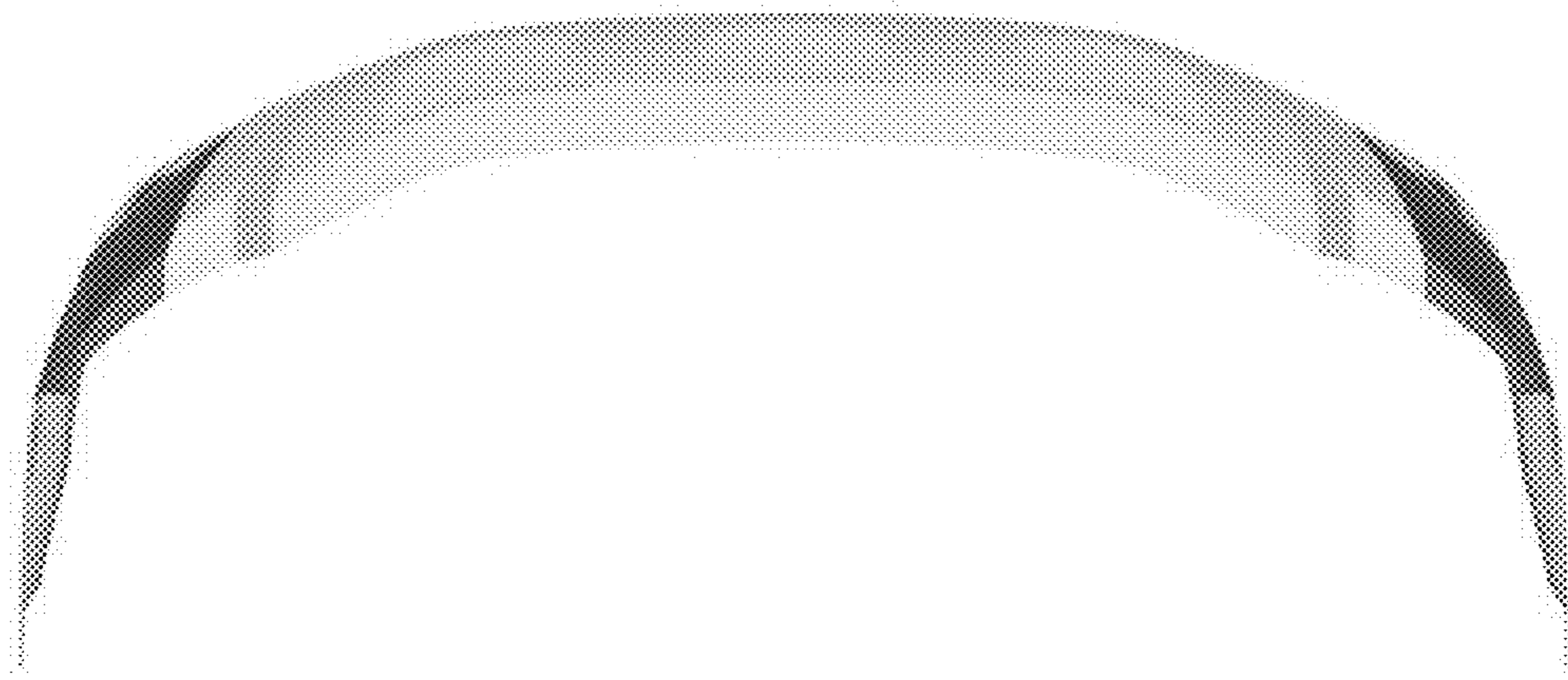


Fig. 8