



US00D932386S

(12) **United States Design Patent** (10) **Patent No.:** **US D932,386 S**
Taubert et al. (45) **Date of Patent:** **** Oct. 5, 2021**

(54) **FRONT BUMPER FOR AN AUTOMOBILE**

(71) Applicant: **Nissan Motor Co., Ltd.**, Kanagawa (JP)

(72) Inventors: **Lars Taubert**, San Diego, CA (US); **Takeo Horie**, Tokyo (JP); **Shinya Momokawa**, Kanagawa (JP); **Hiroshi Oda**, Kanagawa (JP)

(73) Assignee: **Nissan Motor Co., Ltd.**, Yokohama (JP)

(**) Term: **15 Years**

(21) Appl. No.: **29/727,630**

(22) Filed: **Mar. 12, 2020**

(30) **Foreign Application Priority Data**

Sep. 13, 2019 (JP) 2019-020636

(51) **LOC (13) Cl.** **12-16**

(52) **U.S. Cl.**
USPC **D12/169**

(58) **Field of Classification Search**
USPC D12/169, 163, 196, 86, 90-92;
296/180.1, 180.2; 293/102, 115, 117, 120
CPC B60R 2019/25; B62D 25/084
See application file for complete search history.

(56) **References Cited**

U.S. PATENT DOCUMENTS

D683,284 S * 5/2013 Yoshida D12/169
D698,707 S * 2/2014 Nakamura D12/169
D705,706 S * 5/2014 Kawasaki D12/169

D740,729 S * 10/2015 Yamamoto D12/169
D744,389 S * 12/2015 Kawasaki D12/169
D784,218 S * 4/2017 Yamamoto D12/169
D809,980 S * 2/2018 Tanaka D12/169
D814,991 S * 4/2018 Tanaka D12/169
D814,993 S * 4/2018 Minamiyama D12/169
D824,819 S * 8/2018 Sukegawa D12/169
D827,518 S * 9/2018 Komuro D12/169
D830,921 S * 10/2018 Zhang D12/169
D839,152 S * 1/2019 Horie D12/169
D843,900 S * 3/2019 Basmanov D12/169

* cited by examiner

Primary Examiner — Melody N Brown

(74) *Attorney, Agent, or Firm* — Global IP Counselors, LLP

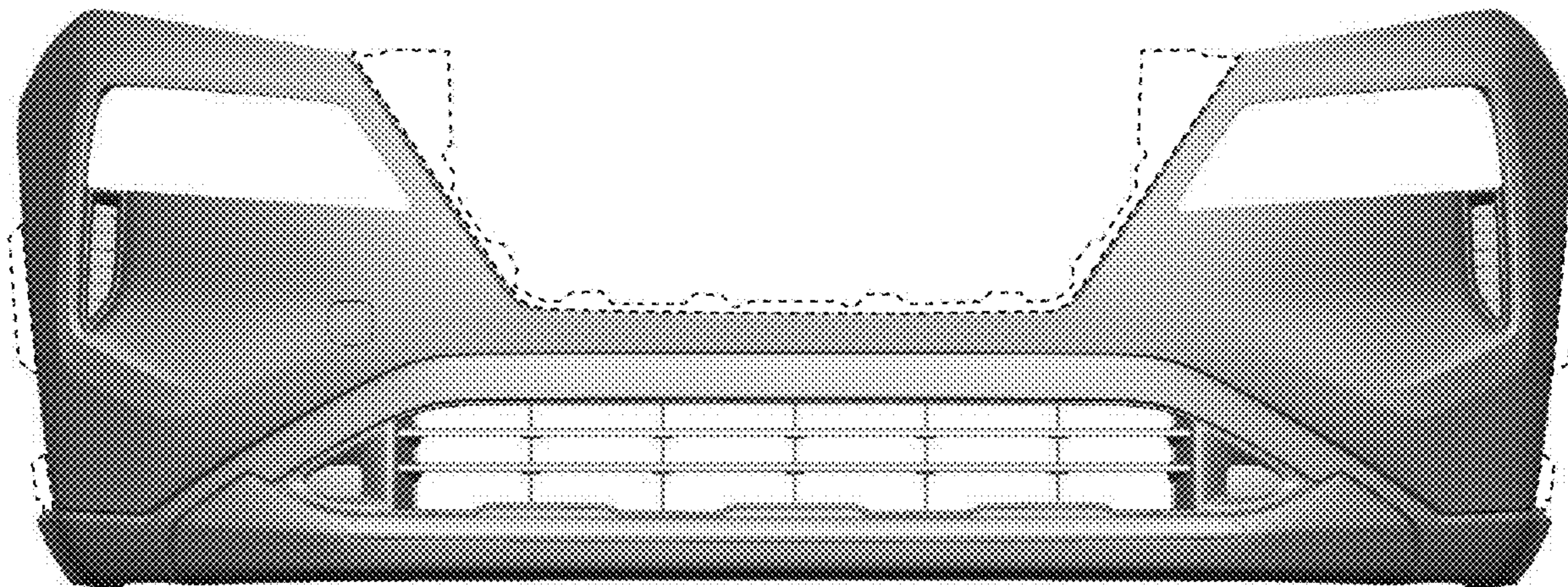
(57) **CLAIM**

The ornamental design for a front bumper for an automobile, as shown and described.

DESCRIPTION

FIG. 1 is a front elevational view of a front bumper for an automobile showing our new design; FIG. 2 is a top plan view thereof; FIG. 3 is a bottom plan view thereof; FIG. 4 is a left side elevational view thereof; FIG. 5 is a right side elevational view thereof; FIG. 6 is a first side perspective view thereof; and, FIG. 7 is a second side perspective view thereof. The rear view of the front bumper forms no part of the claimed design. The inside surfaces of the front bumper, shown in broken lines in FIGS. 2, 6 and 7, form no part of the claimed design since the inside surfaces are hidden when the front bumper is mounted to the automobile.

1 Claim, 7 Drawing Sheets



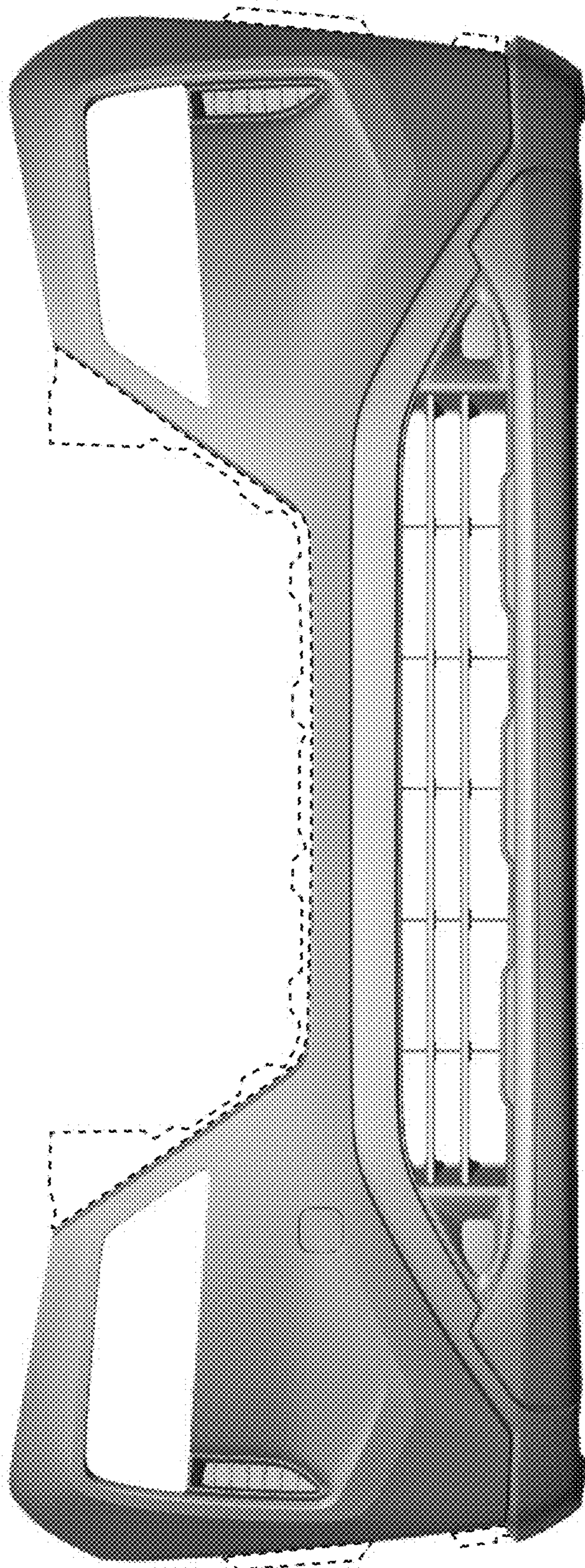


FIG. 1

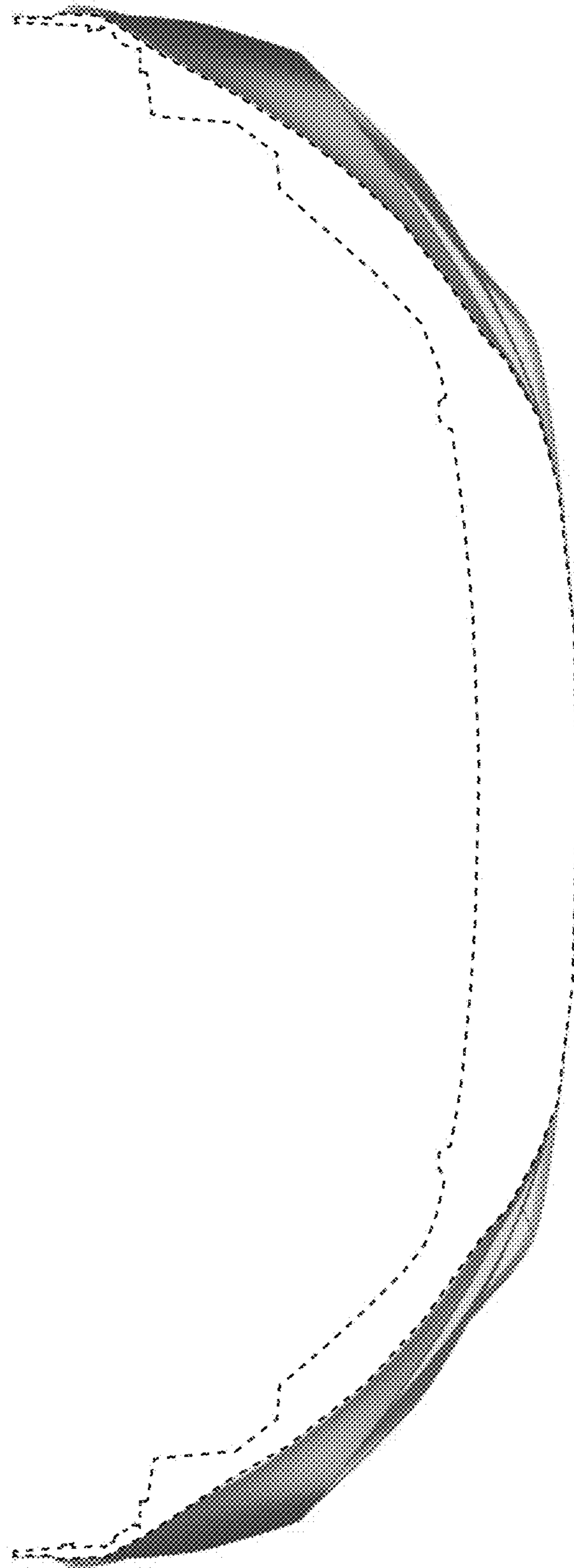


FIG. 2

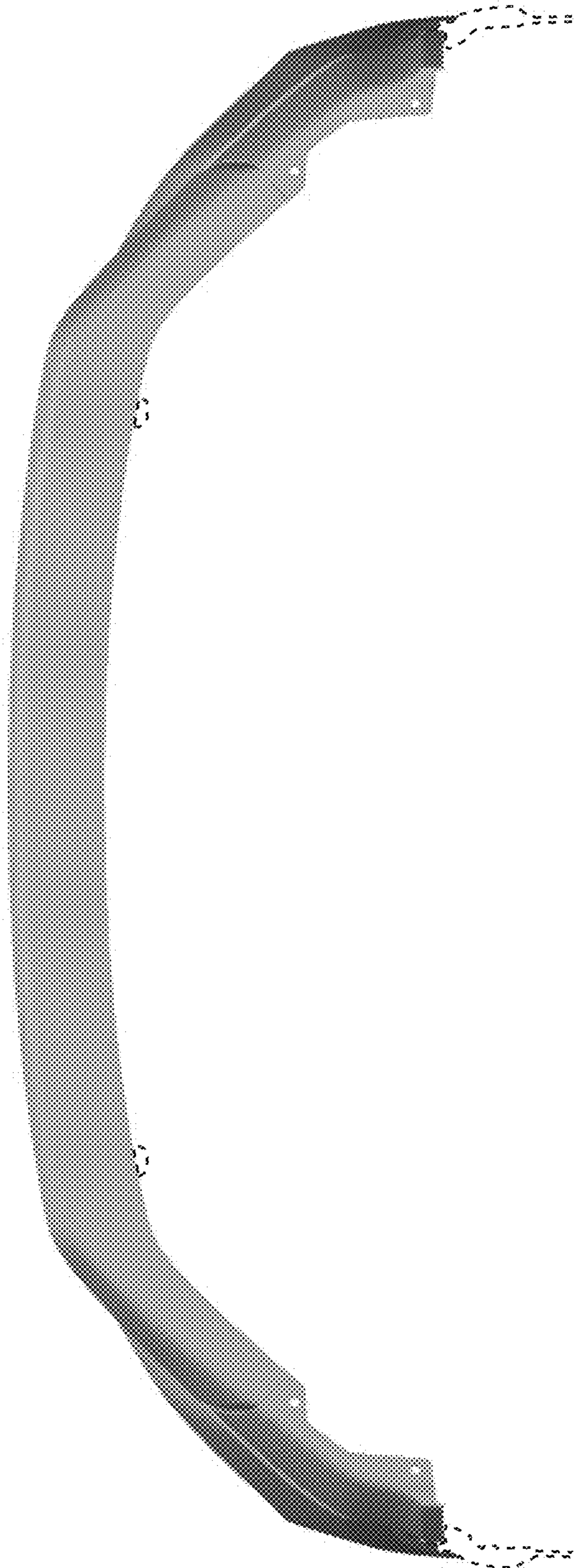


FIG. 3

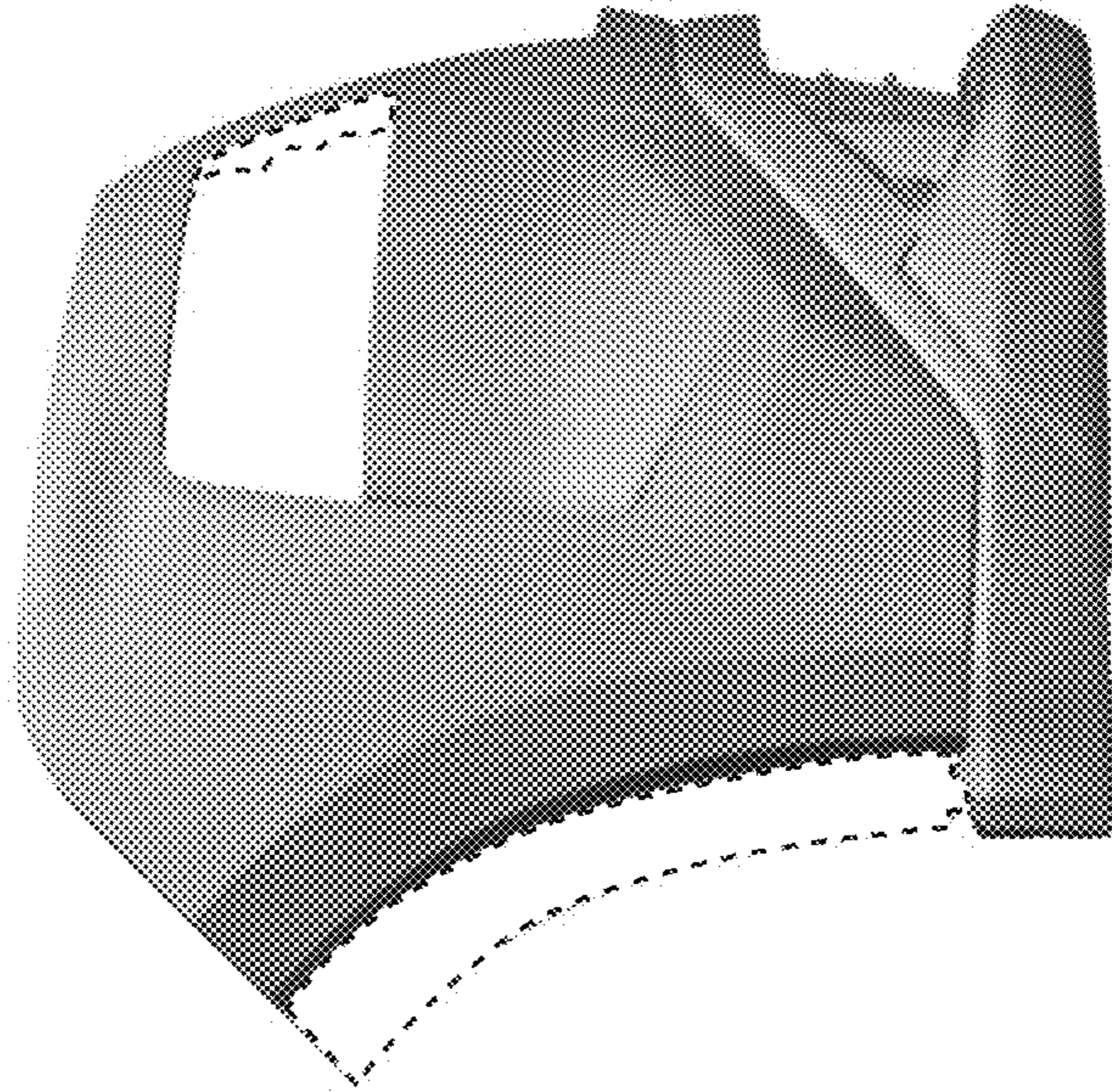


FIG. 4

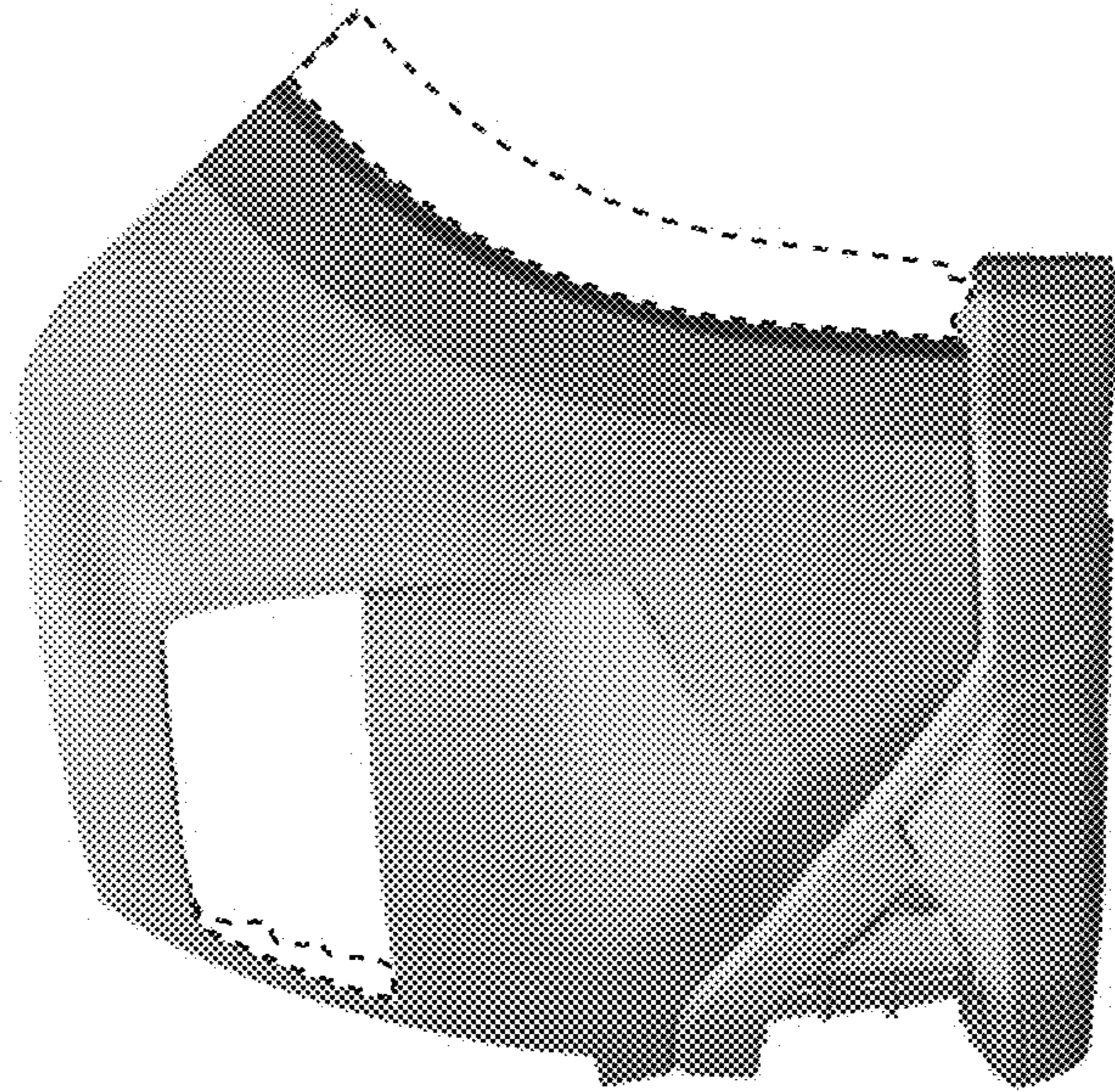


FIG. 5

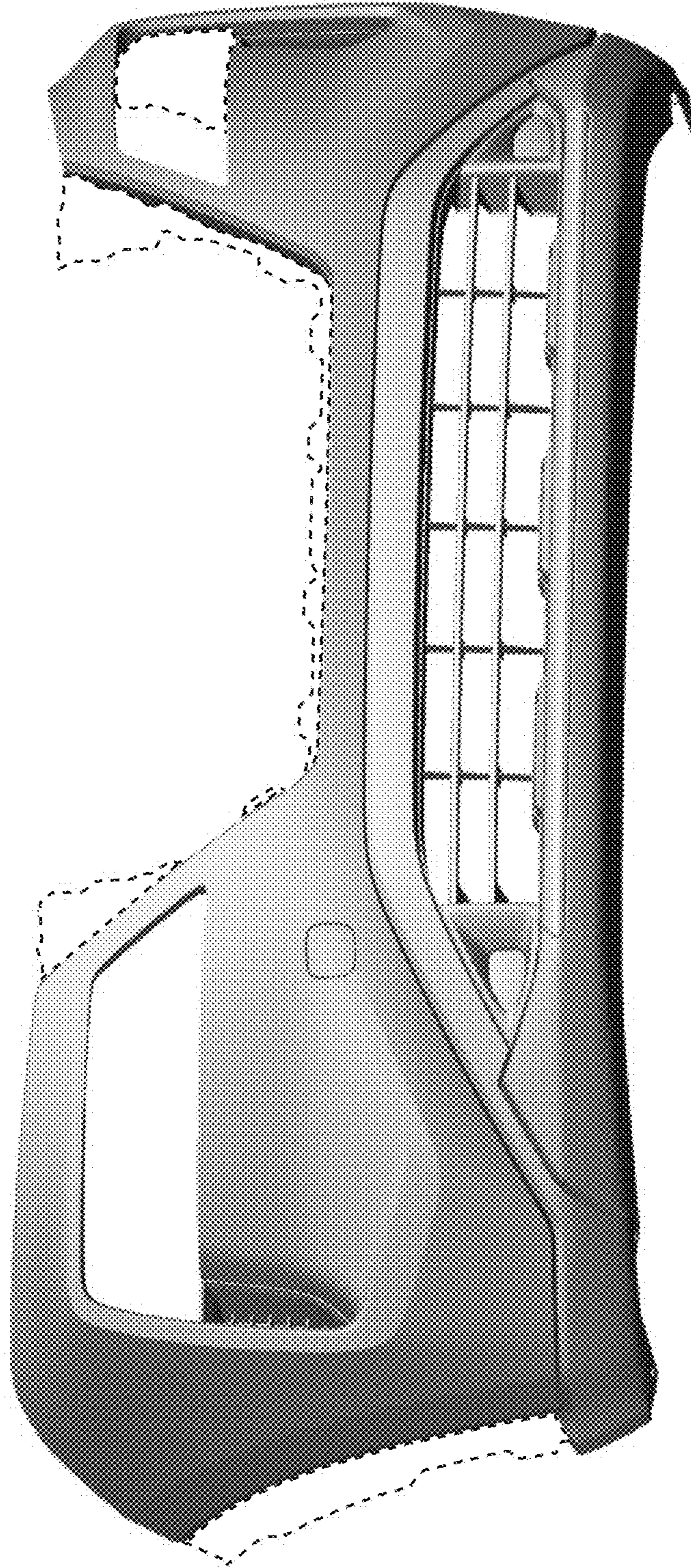


FIG. 6

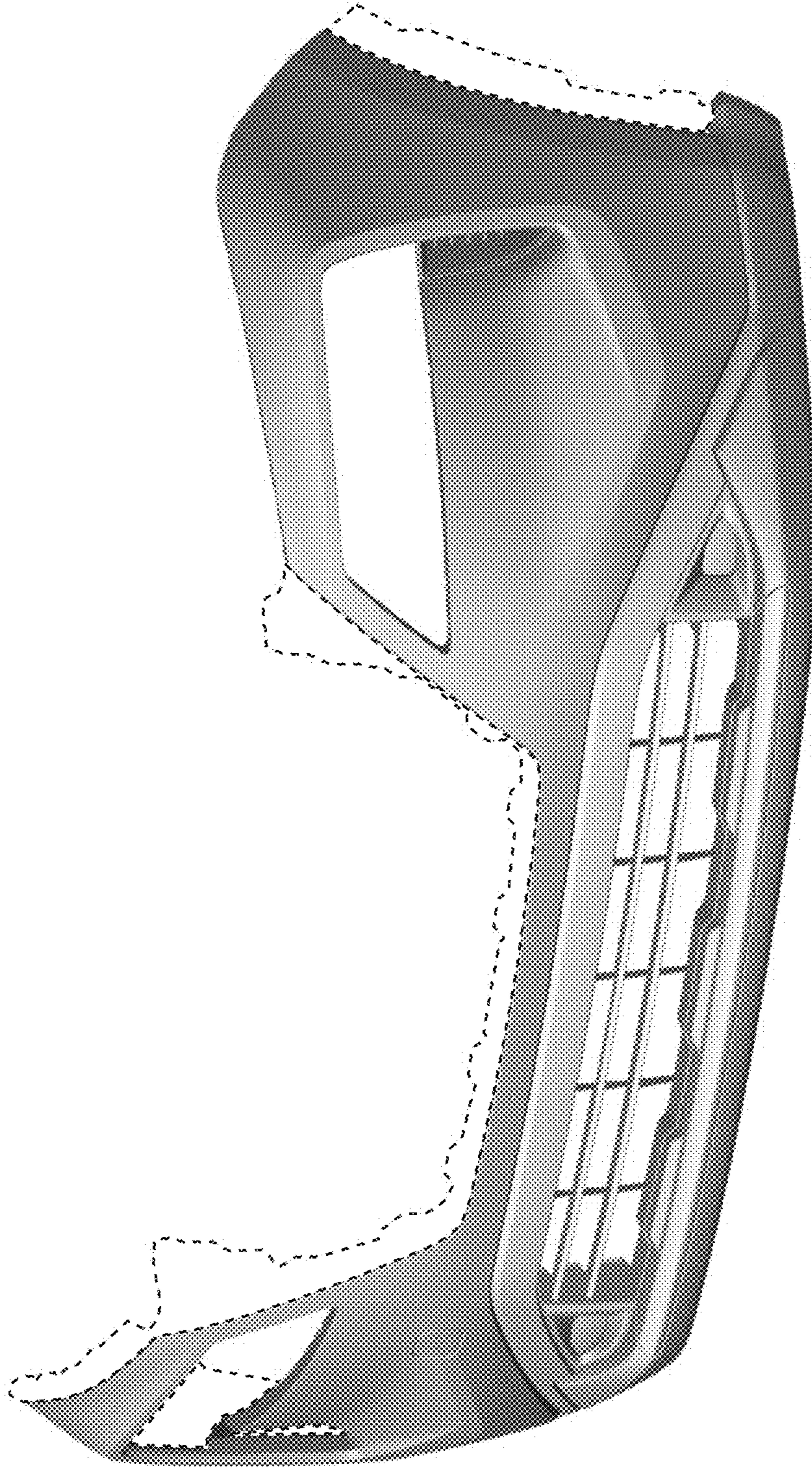


FIG. 7