



US00D932384S

(12) **United States Design Patent**  
**Owens**

(10) **Patent No.:** **US D932,384 S**

(45) **Date of Patent:** **\*\* Oct. 5, 2021**

- (54) **BRACKET FOR A VEHICLE SUSPENSION**
- (71) Applicant: **MF IP Holding, LLC**, West Jordan, UT (US)
- (72) Inventor: **Michael Grant Owens**, Herriman, UT (US)
- (73) Assignee: **MF IP HOLDING, LLC**, West Jordan, UT (US)

(\*\*) Term: **15 Years**

(21) Appl. No.: **29/731,752**

(22) Filed: **Apr. 17, 2020**

(51) **LOC (13) Cl.** ..... **12-16**

(52) **U.S. Cl.**  
USPC ..... **D12/159**; D12/223

(58) **Field of Classification Search**  
USPC ..... D12/223, 159, 160; D8/382, 354  
CPC ..... B60G 2204/41043; B60G 2204/43; B60G 2204/4306; B60G 2204/4307; B60G 2204/422; B60G 2204/10; B60G 2204/16  
See application file for complete search history.

(56) **References Cited**

**U.S. PATENT DOCUMENTS**

D247,738 S *	4/1978	Rynearson	.....	D8/354
D250,805 S *	1/1979	Mygind	.....	D8/354
D267,471 S *	1/1983	Mundorf	.....	D15/5
4,634,168 A *	1/1987	Fuchs	.....	B62D 33/00
				280/785
D297,410 S *	8/1988	Sachs	.....	D8/354
5,288,100 A *	2/1994	Cherry	.....	B60G 7/02
				280/86.75
D358,795 S *	5/1995	Viola	.....	D12/187
D375,471 S *	11/1996	Page, Jr.	.....	D12/114
D376,751 S *	12/1996	Hanson	.....	D12/162
D395,997 S *	7/1998	Coll	.....	D13/133
D429,208 S *	8/2000	McCoy	.....	D12/223
D435,432 S *	12/2000	Themistos	.....	D8/354
D467,858 S *	12/2002	Misch	.....	D12/223

D476,217 S *	6/2003	Shea	.....	D8/354
D482,313 S *	11/2003	McCoy	.....	D12/223
D546,751 S *	7/2007	Laatz	.....	D12/223
D603,781 S *	11/2009	Jimenez	.....	B60R 11/00
				D12/223
D624,461 S *	9/2010	Noble	.....	D12/159
D656,452 S *	3/2012	Calvert	.....	D12/223
D664,075 S *	7/2012	Felipe de Souza Araujo	.....	D12/159
				D12/223
D666,549 S *	9/2012	Gagnon	.....	D12/223
D688,547 S *	8/2013	Waugh	.....	D8/349
D695,091 S *	12/2013	Nunez Farfan	.....	D8/354
D712,816 S *	9/2014	Maholick	.....	D12/223

(Continued)

**FOREIGN PATENT DOCUMENTS**

CN 103963589 A \* 4/2014 ..... B60G 7/00

*Primary Examiner* — Holly E Thurman

*Assistant Examiner* — Ieisha N Price

(74) *Attorney, Agent, or Firm* — Christensen O'Connor Johnson Kindness PLLC

(57) **CLAIM**

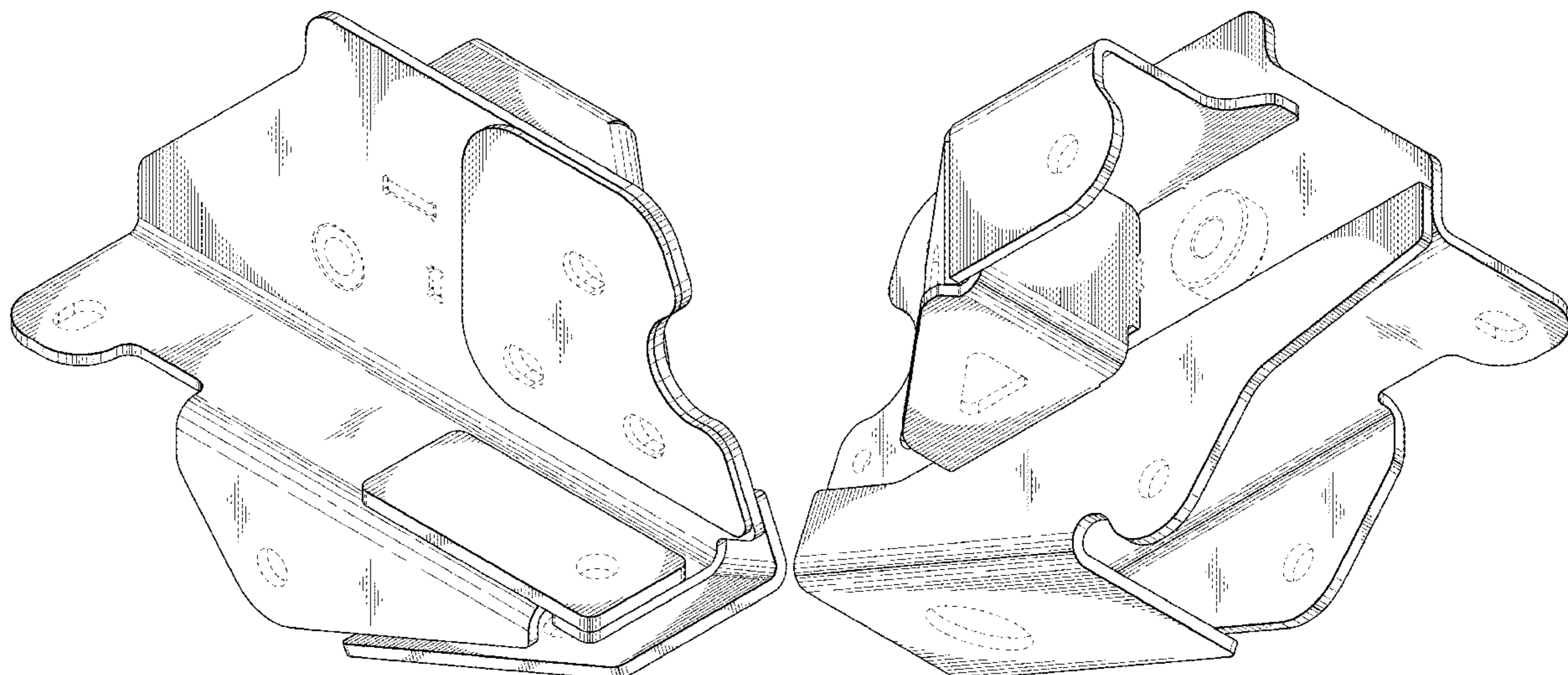
The ornamental design for a bracket for a vehicle suspension, as shown and described.

**DESCRIPTION**

FIG. 1 is a top-front-left perspective view of a bracket for a vehicle suspension according to my new design; FIG. 2 is a bottom-rear-right perspective view thereof; FIG. 3 is a left-side elevational view thereof; FIG. 4 is a right-side elevational view thereof; FIG. 5 is a top plan view thereof; FIG. 6 is a bottom plan view thereof; FIG. 7 is a rear elevational view thereof; and, FIG. 8 is a front elevational view thereof.

The dashed broken lines in the drawings show portions of the bracket for a vehicle suspension that form no part of the claimed design.

**1 Claim, 6 Drawing Sheets**



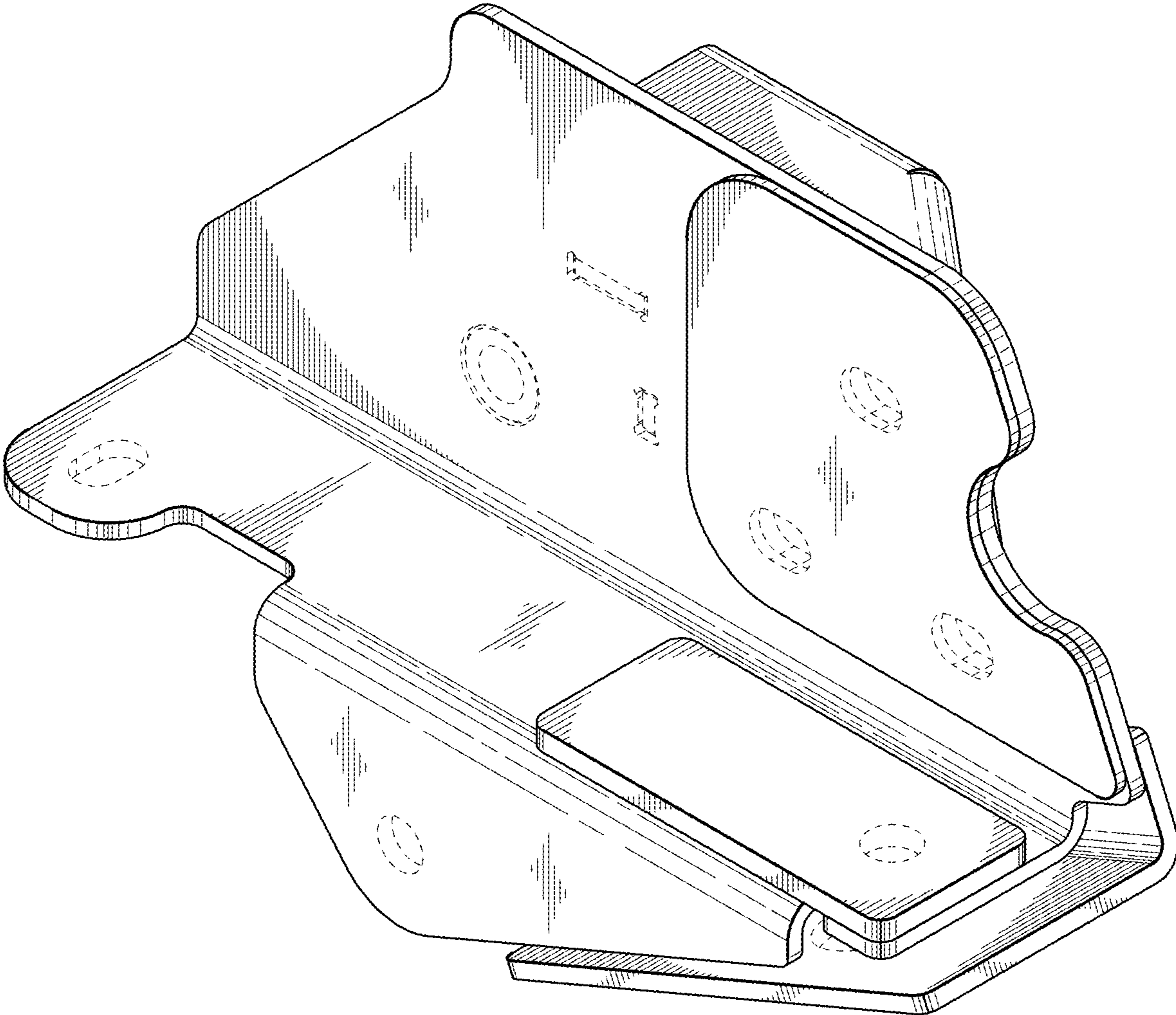
(56)

**References Cited**

## U.S. PATENT DOCUMENTS

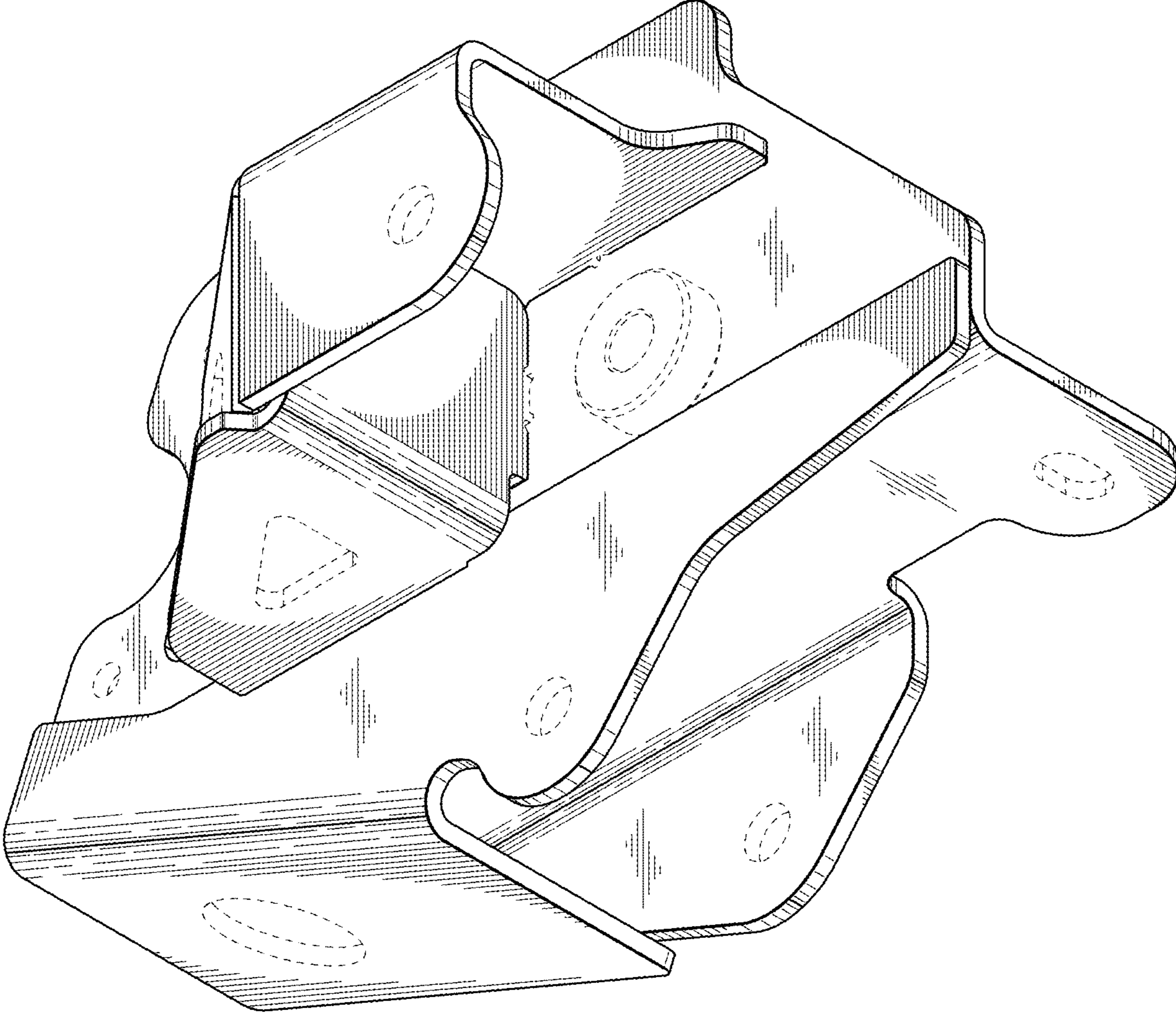
D729,133	S *	5/2015	McGaughy .....	D12/159
D735,632	S *	8/2015	Beidler .....	D12/223
D735,770	S *	8/2015	Schaffert .....	D15/28
D755,683	S *	5/2016	Goodlow .....	D12/114
D767,370	S *	9/2016	Yato .....	D8/354
D768,469	S *	10/2016	Bengtsson .....	D8/382
D777,793	S *	1/2017	Singh .....	D15/7
D787,916	S *	5/2017	Yuan .....	D8/354
D834,463	S *	11/2018	Brunkhurst .....	D12/159
D843,823	S *	3/2019	Bouchard .....	D8/382
D846,370	S *	4/2019	Ni .....	D8/354
D899,225	S *	10/2020	Zhang .....	D8/354
D910,419	S *	2/2021	Cox .....	D8/349
D915,186	S *	4/2021	Barker .....	D8/382
2003/0122337	A1 *	7/2003	Matsumoto .....	B62D 21/11 280/124.109
2006/0186628	A1 *	8/2006	McConville .....	B60G 11/16 280/93.512
2015/0076782	A1 *	3/2015	Carlitz .....	B60G 21/051 280/124.128
2018/0186206	A1 *	7/2018	Wilson .....	B60G 11/113

\* cited by examiner

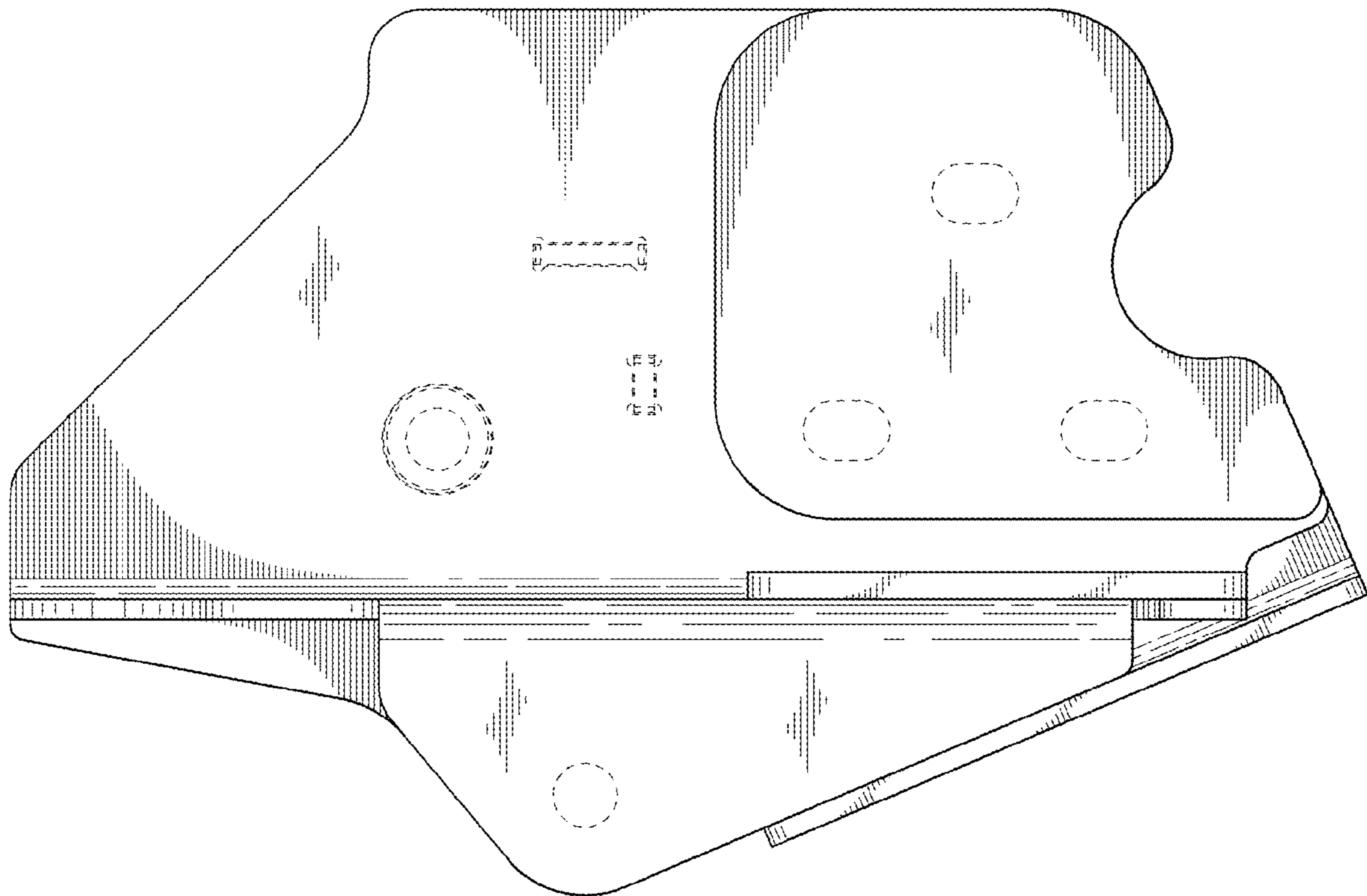


*Fig. 1.*

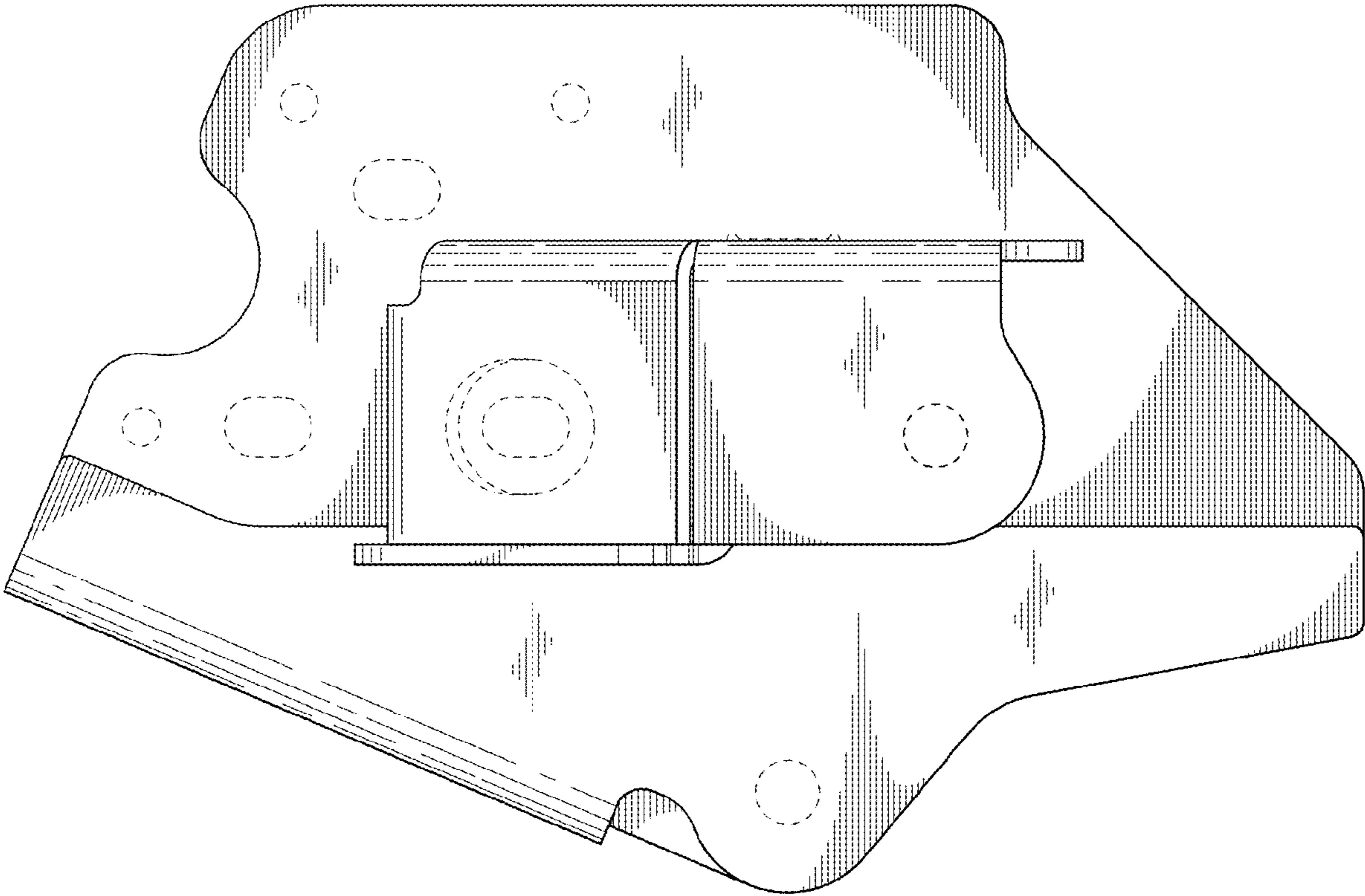




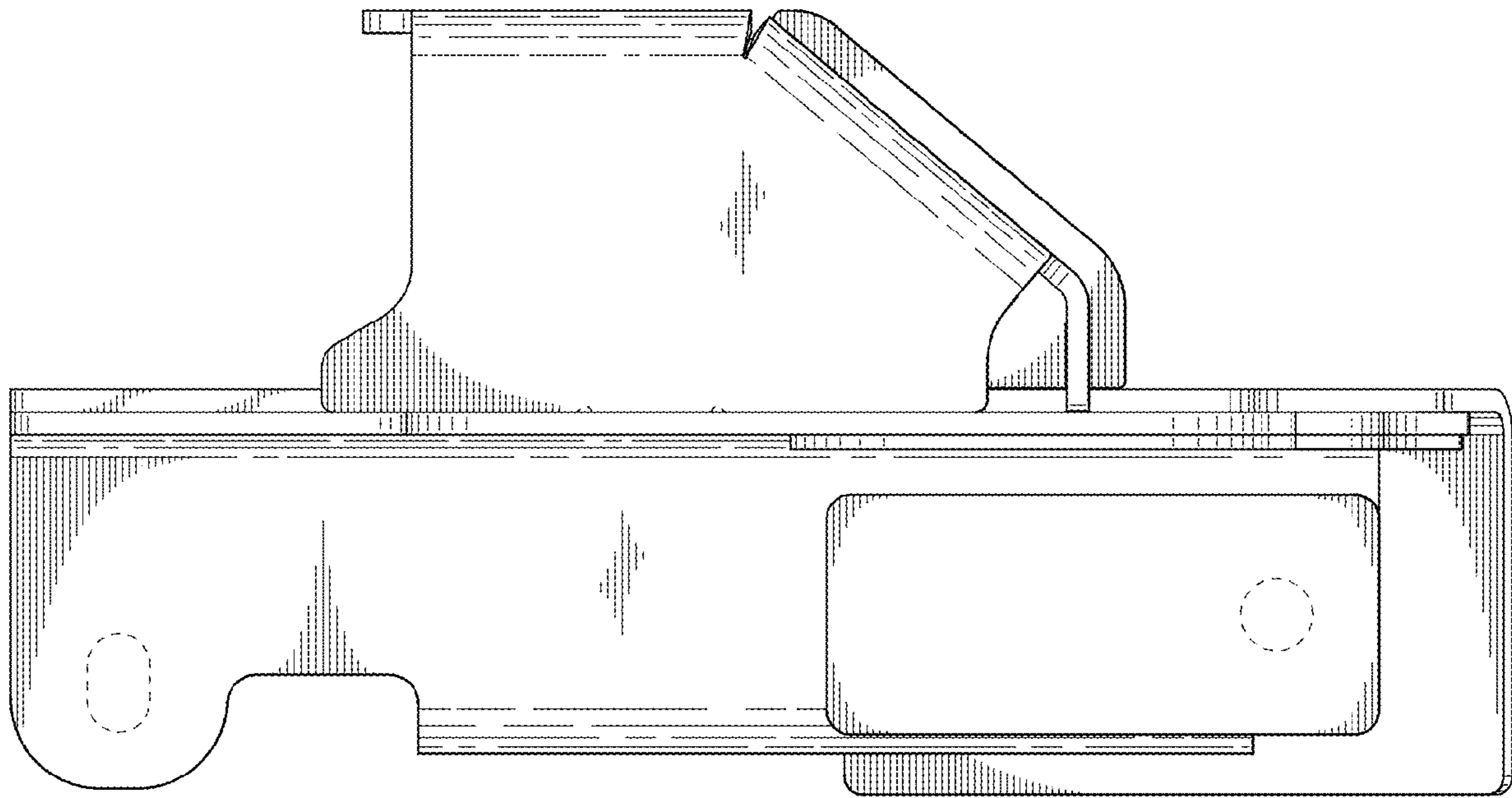
*Fig. 2.*



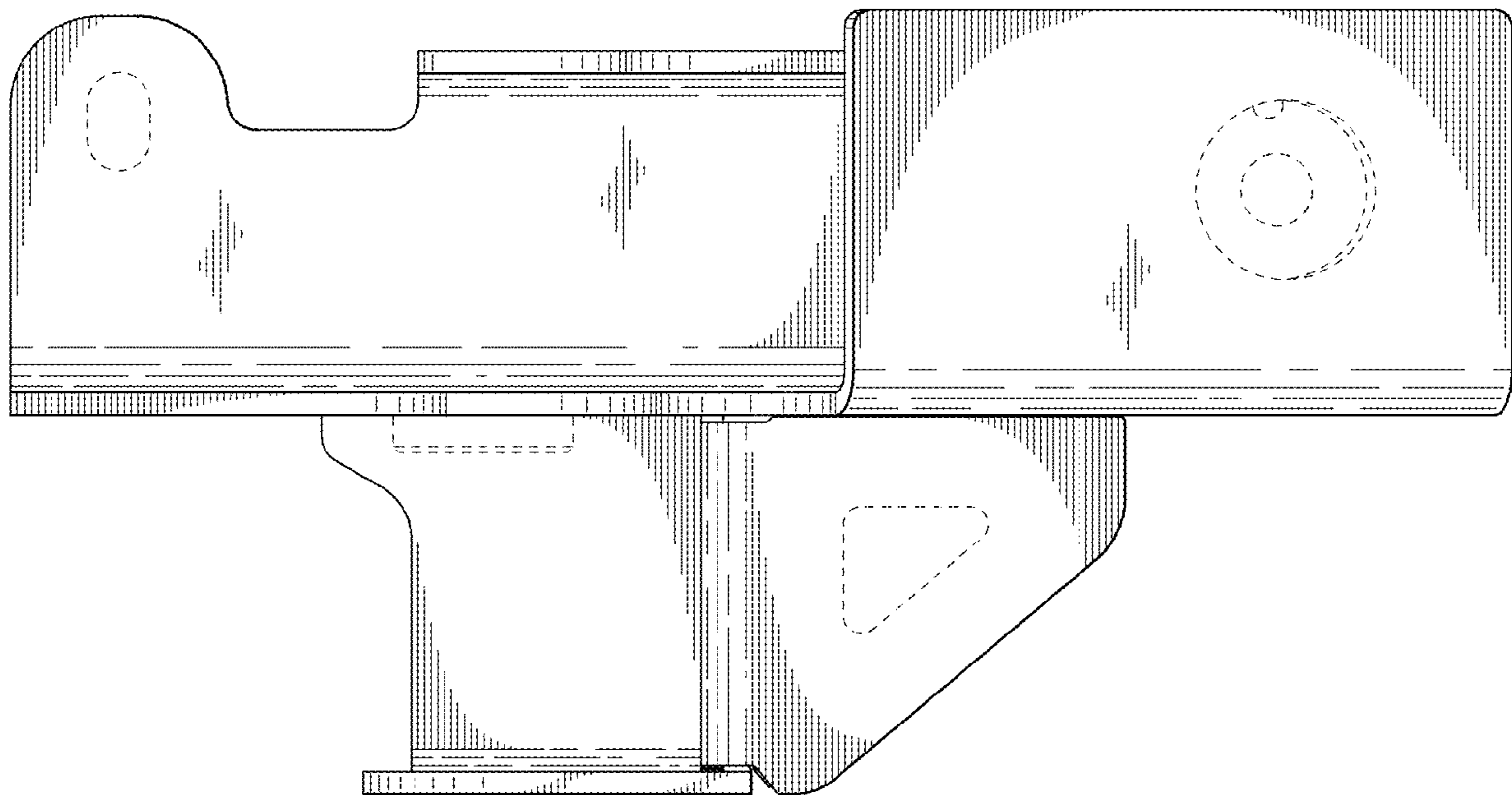
*Fig. 3.*



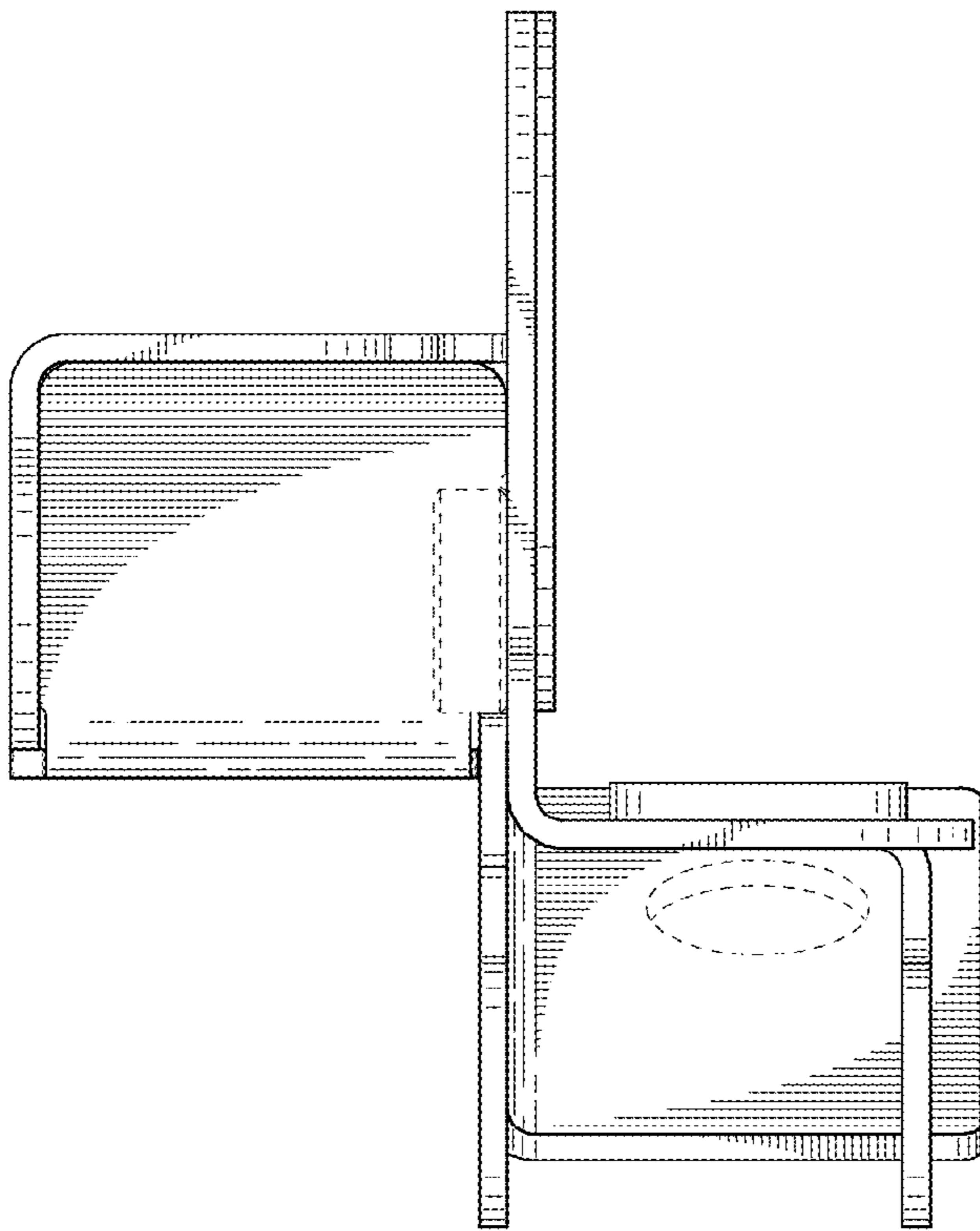
*Fig. 4.*



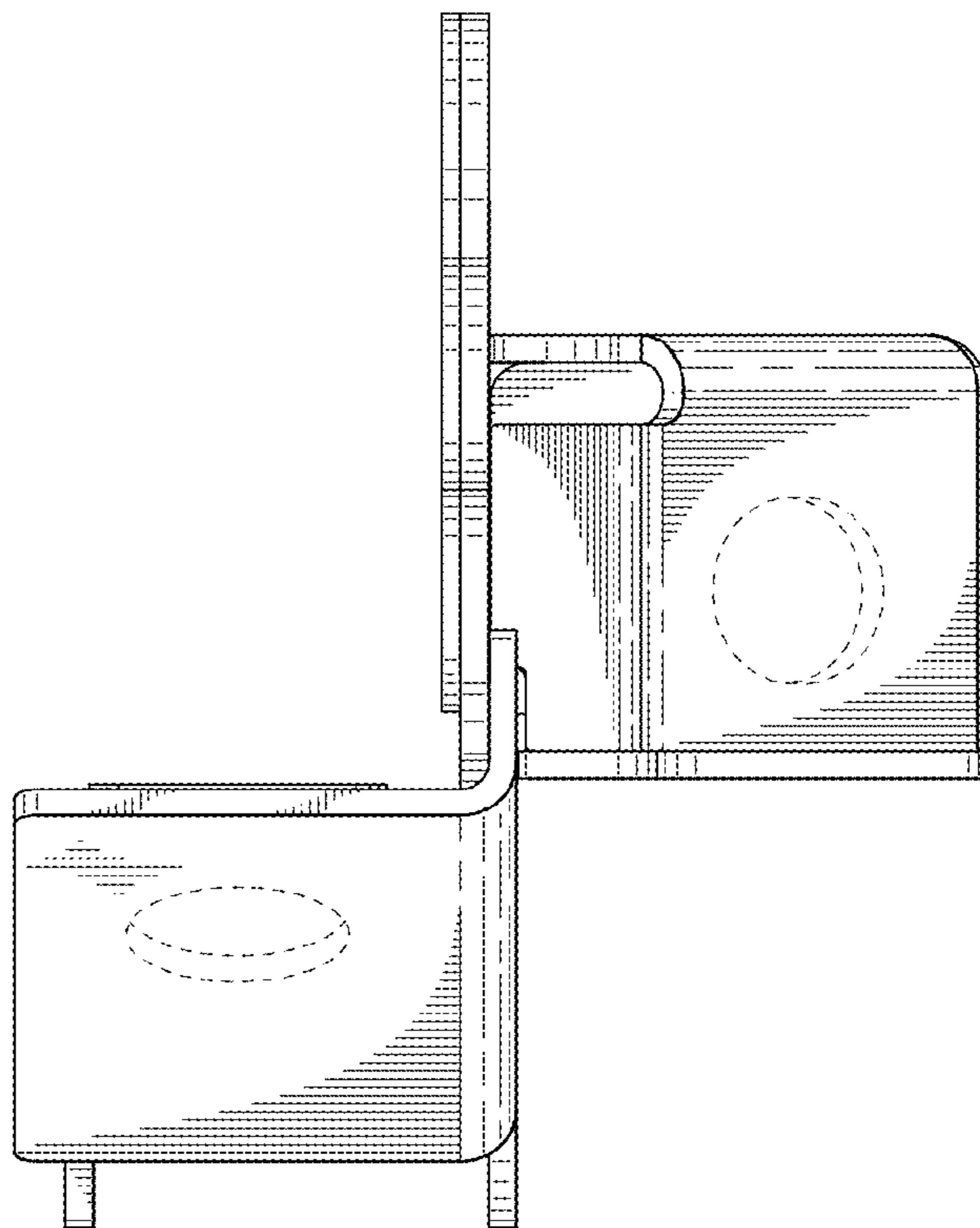
*Fig. 5.*



*Fig. 6.*



*Fig. 7.*



*Fig. 8.*