



US00D932383S

(12) **United States Design Patent** (10) **Patent No.:** **US D932,383 S**
Kingett et al. (45) **Date of Patent:** **** Oct. 5, 2021**

(54) **PUSHCHAIR**
 (71) Applicant: **RSG Innovations Limited**,
 Henley-in-Arden (GB)
 (72) Inventors: **Graham Henry Kingett**, Droitwich
 (GB); **Rajesh Desai**, Birmingham (GB)
 (**) Term: **15 Years**

D532,721 S * 11/2006 Wu D12/129
 7,413,213 B2 * 8/2008 Pike B62B 7/08
 280/47.38
 D581,841 S * 12/2008 Toussaint D12/129
 D596,996 S * 7/2009 Yang D12/129
 D620,846 S * 8/2010 Grim D12/129
 D643,343 S * 8/2011 Song D12/129
 D695,651 S * 12/2013 Yoshie D12/129
 D721,015 S * 1/2015 Bassan D12/129
 D785,510 S * 5/2017 Marcuello D12/129
 9,725,106 B2 * 8/2017 Pos B62B 9/102
 (Continued)

(21) Appl. No.: **35/507,877**

(22) Filed: **Sep. 13, 2019**

(80) **Hague Agreement Data**

Int. Filing Date: **Sep. 13, 2019**
 Int. Reg. No.: **DM/204183**
 Int. Reg. Date: **Sep. 13, 2019**
 Int. Reg. Pub. Date: **Nov. 29, 2019**

(51) **LOC (13) Cl.** **12-12**

(52) **U.S. Cl.**
 USPC **D12/129**

(58) **Field of Classification Search**
 USPC D12/128–130
 CPC B62B 7/00; B62B 7/04; B62B 7/06; B62B
 7/062; B62B 9/00; B62B 9/02; B62B
 9/04; B62B 9/08; B62B 9/10; B62B 9/12;
 B62B 9/14; B62B 9/16; B62B 9/18;
 B62B 9/20; B62B 9/22; B62B 9/24;
 B62B 9/26

See application file for complete search history.

(56) **References Cited**

U.S. PATENT DOCUMENTS

3,984,115 A 10/1976 Miller
 4,641,844 A 2/1987 Mar et al.
 4,762,256 A 8/1988 Whitaker
 5,230,523 A 7/1993 Wilhelm
 7,017,922 B2 * 3/2006 Hartenstine B62B 7/10
 224/409
 D519,419 S * 4/2006 Cheng D12/129
 D519,420 S * 4/2006 Cheng D12/129

FOREIGN PATENT DOCUMENTS

CN 304414086 S 12/2017
 WO 2014057238 A1 4/2014

(Continued)

OTHER PUBLICATIONS

Search Report and Examination Opinion issued in GB Application No. 1706750.5, dated Sep. 25, 2017, 3 pages.

(Continued)

Primary Examiner — Darlington Ly

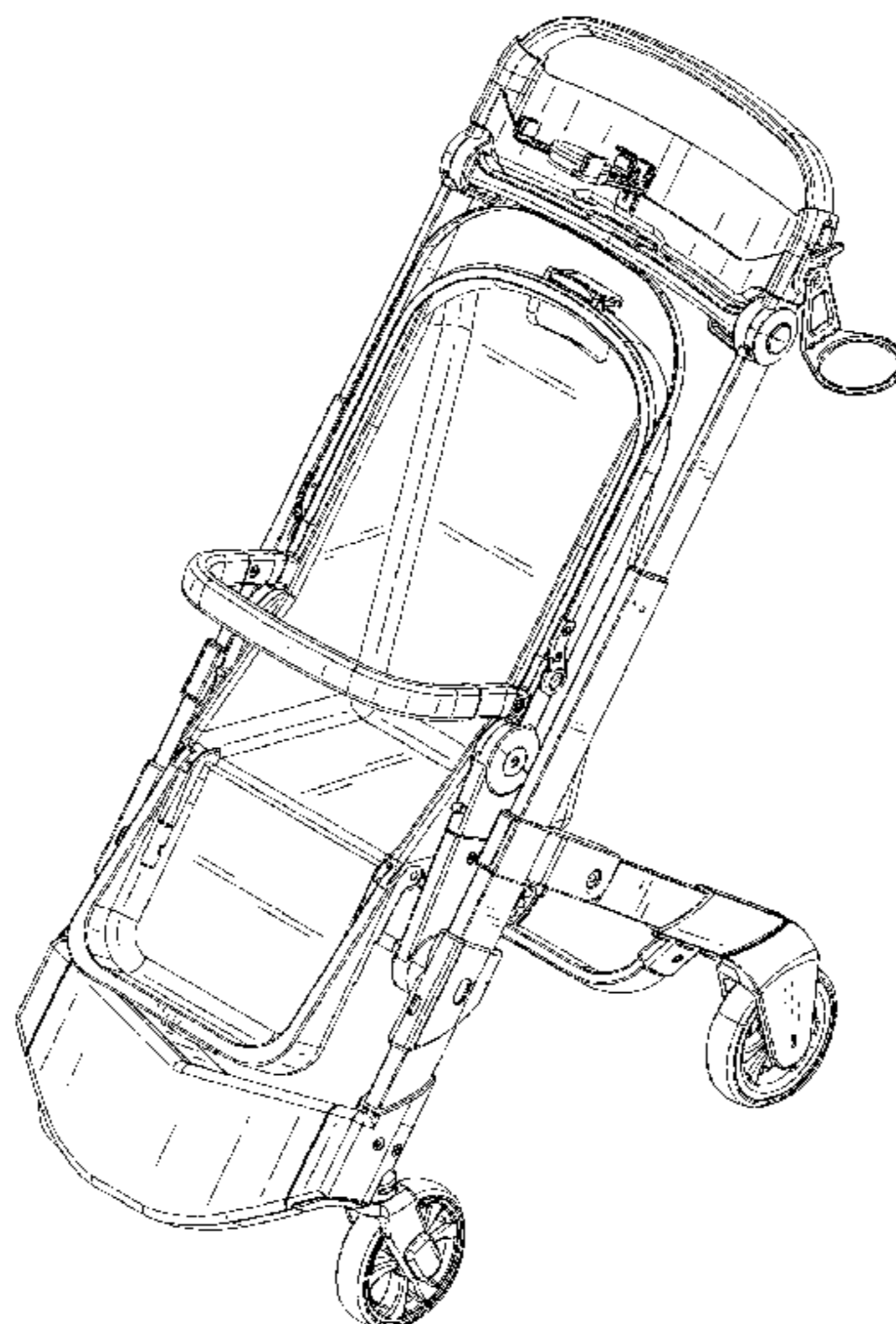
(57) **CLAIM**

The ornamental design for a pushchair, as shown and described.

DESCRIPTION

1.1 is a front and right side perspective view of a pushchair embodying our new design;
 1.2 is a front elevation view thereof;
 1.3 is a top plan view thereof;
 1.4 is a left side view thereof;
 1.5 is a right side elevation view thereof;
 1.6 is a bottom plan view thereof; and
 1.7 is a rear elevation view thereof.
 The broken lines showing in the figures are included for the purpose of illustrating portions of the pushchair that form no part of the claimed design.

1 Claim, 7 Drawing Sheets



(56)

References Cited

U.S. PATENT DOCUMENTS

D826,794	S	*	8/2018	Walker	D12/129
D849,606	S	*	5/2019	Barenbrug	D12/129
D854,460	S	*	7/2019	Hu	D12/129
D869,344	S	*	12/2019	Oakes	D12/129
D874,987	S	*	2/2020	Baker	D12/129
D889,324	S	*	7/2020	Altenhofen	D12/129
2004/0145133	A1		7/2004	Lee		
2008/0129001	A1		6/2008	Emerson		
2014/0183843	A1		7/2014	Iftinca et al.		
2016/0046315	A1		2/2016	Zehfuss et al.		
2020/0189640	A1		6/2020	Desai et al.		

FOREIGN PATENT DOCUMENTS

WO	2015003227	A1	1/2015
WO	DM/099 348		9/2017

OTHER PUBLICATIONS

International Search Report and Written Opinion issued in International Application No. PCT/GB2018/051091, dated Jul. 31, 2018, 14 pages.

* cited by examiner

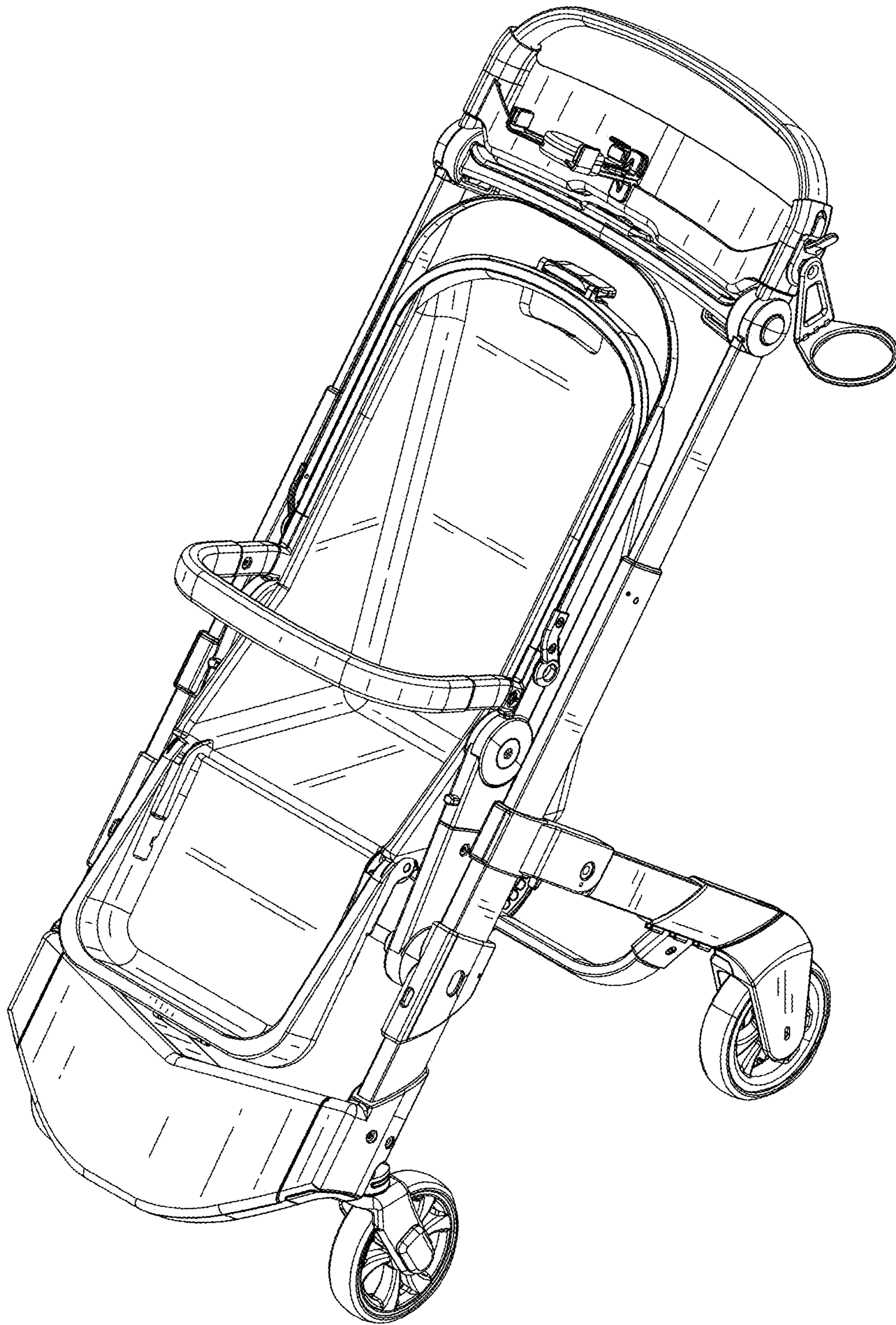


FIG. 1.1

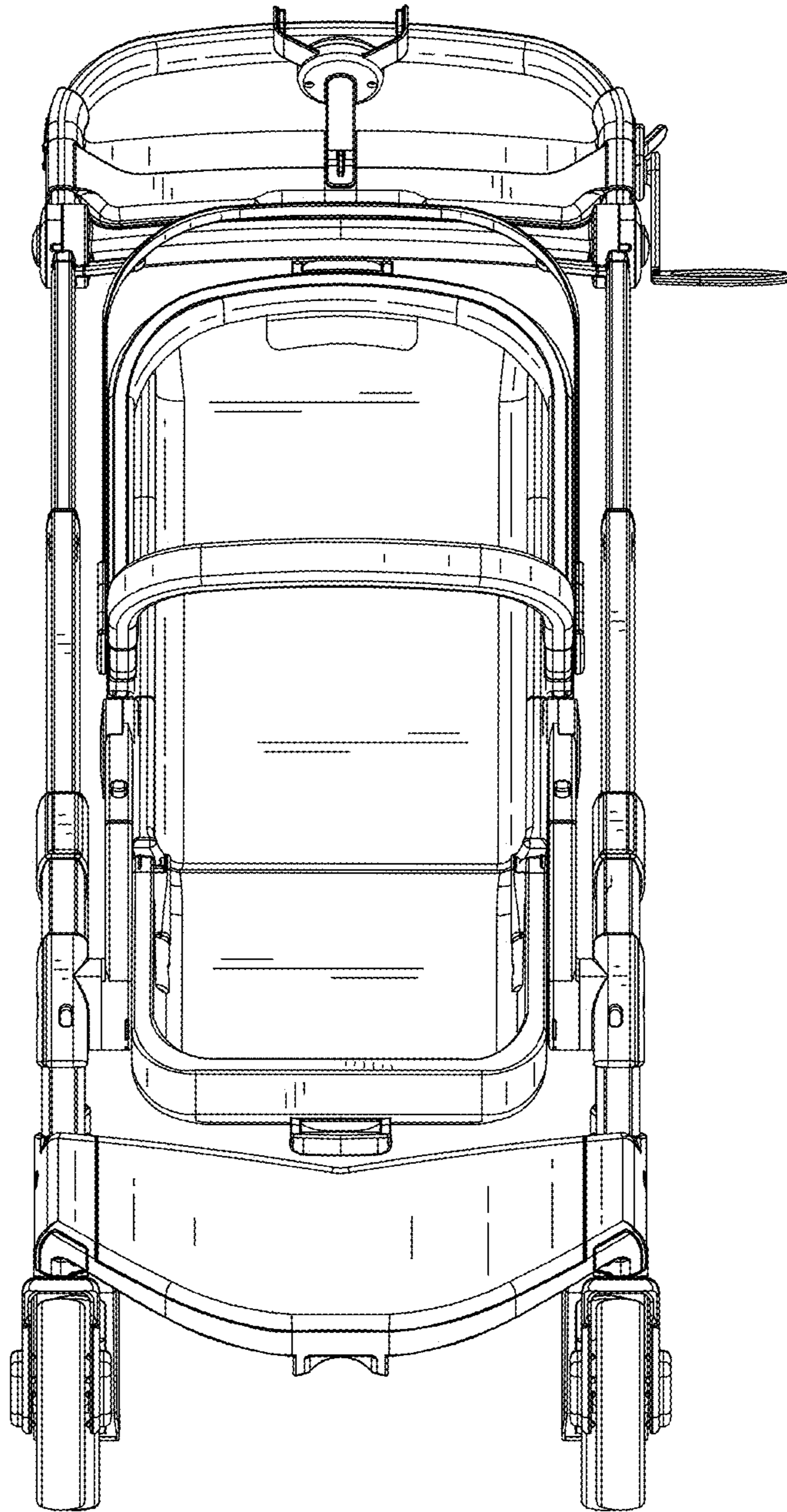


FIG. 1.2

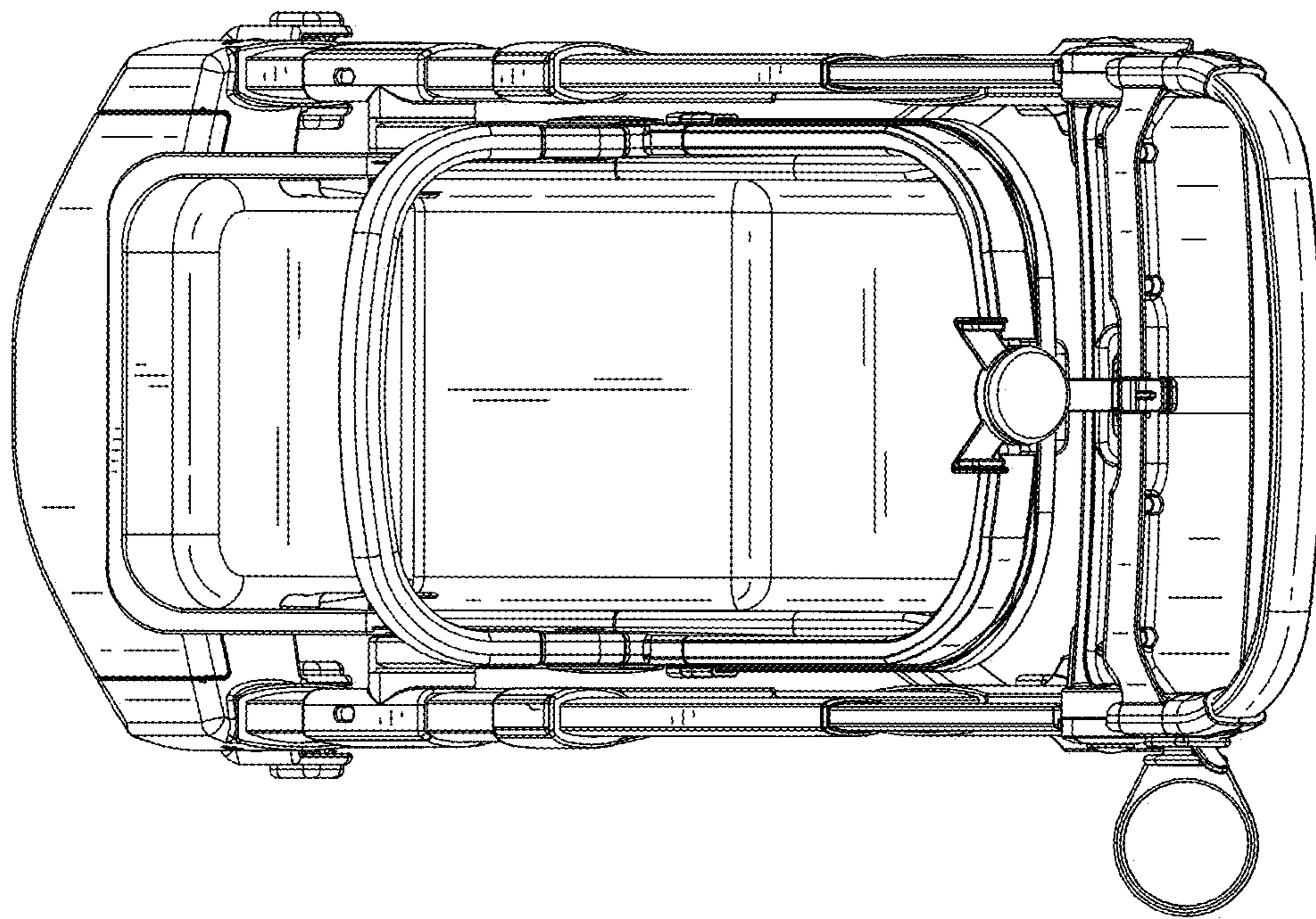


FIG. 1.3

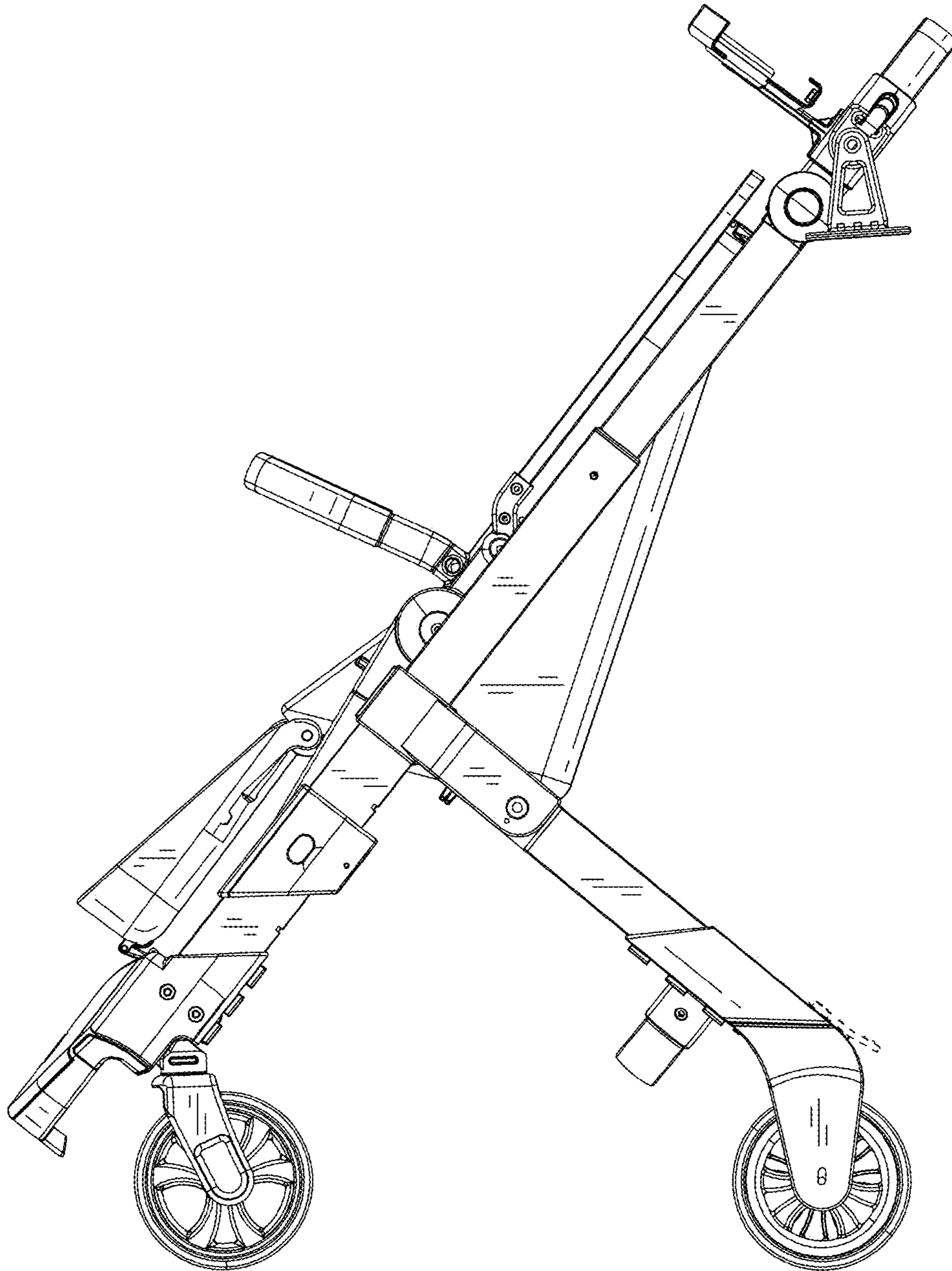


FIG. 1.4

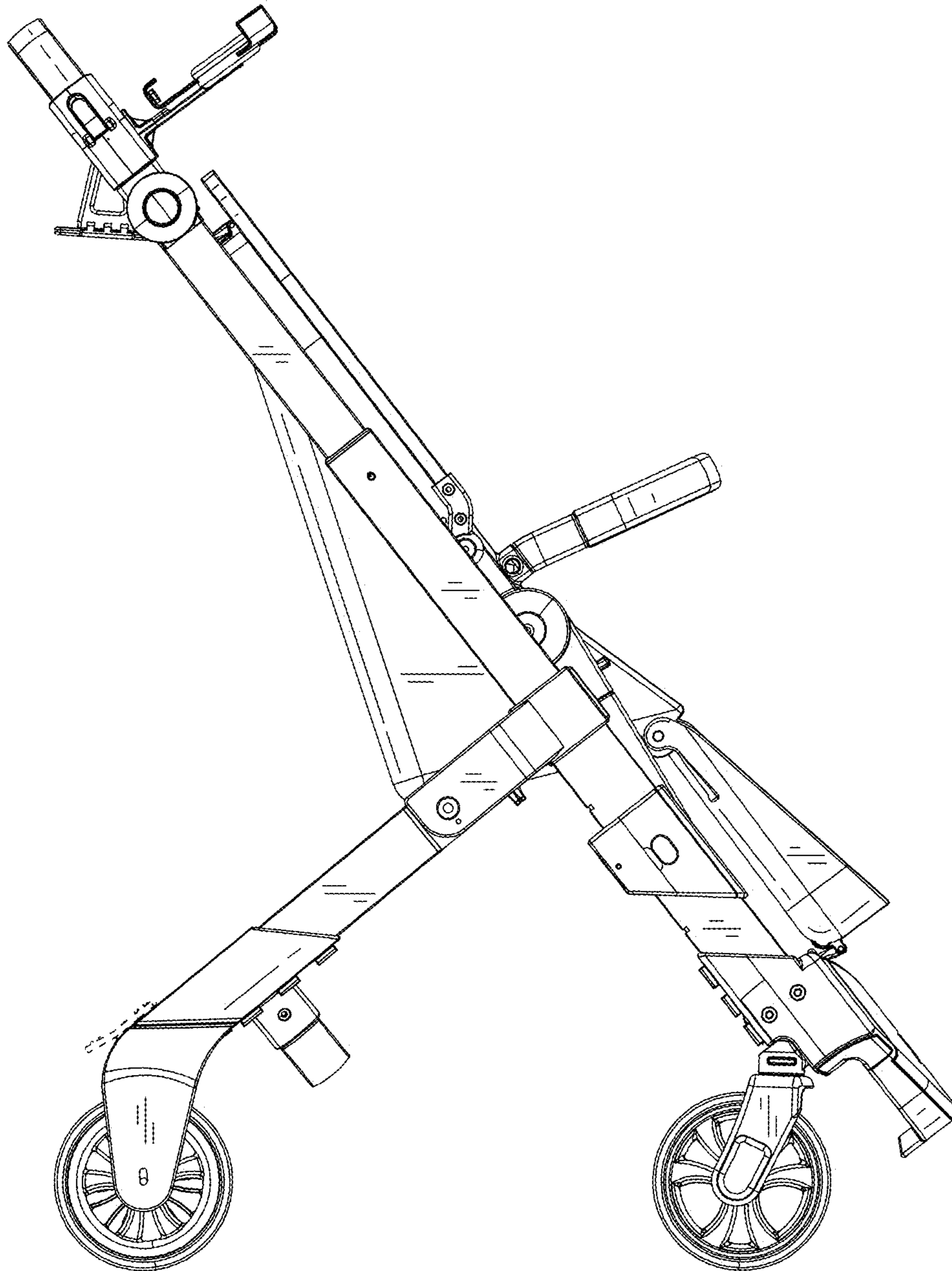


FIG. 1.5

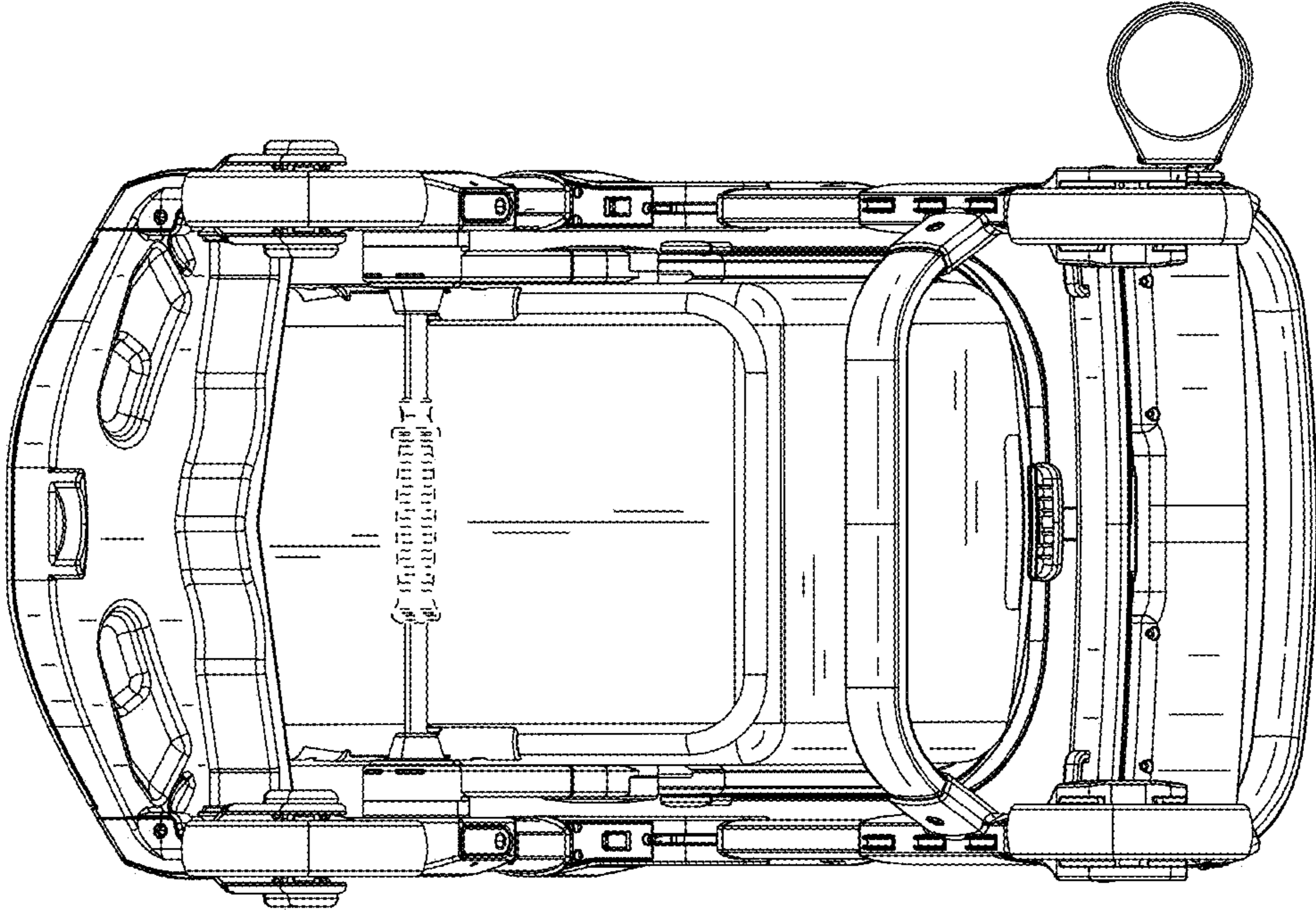


FIG. 1.6

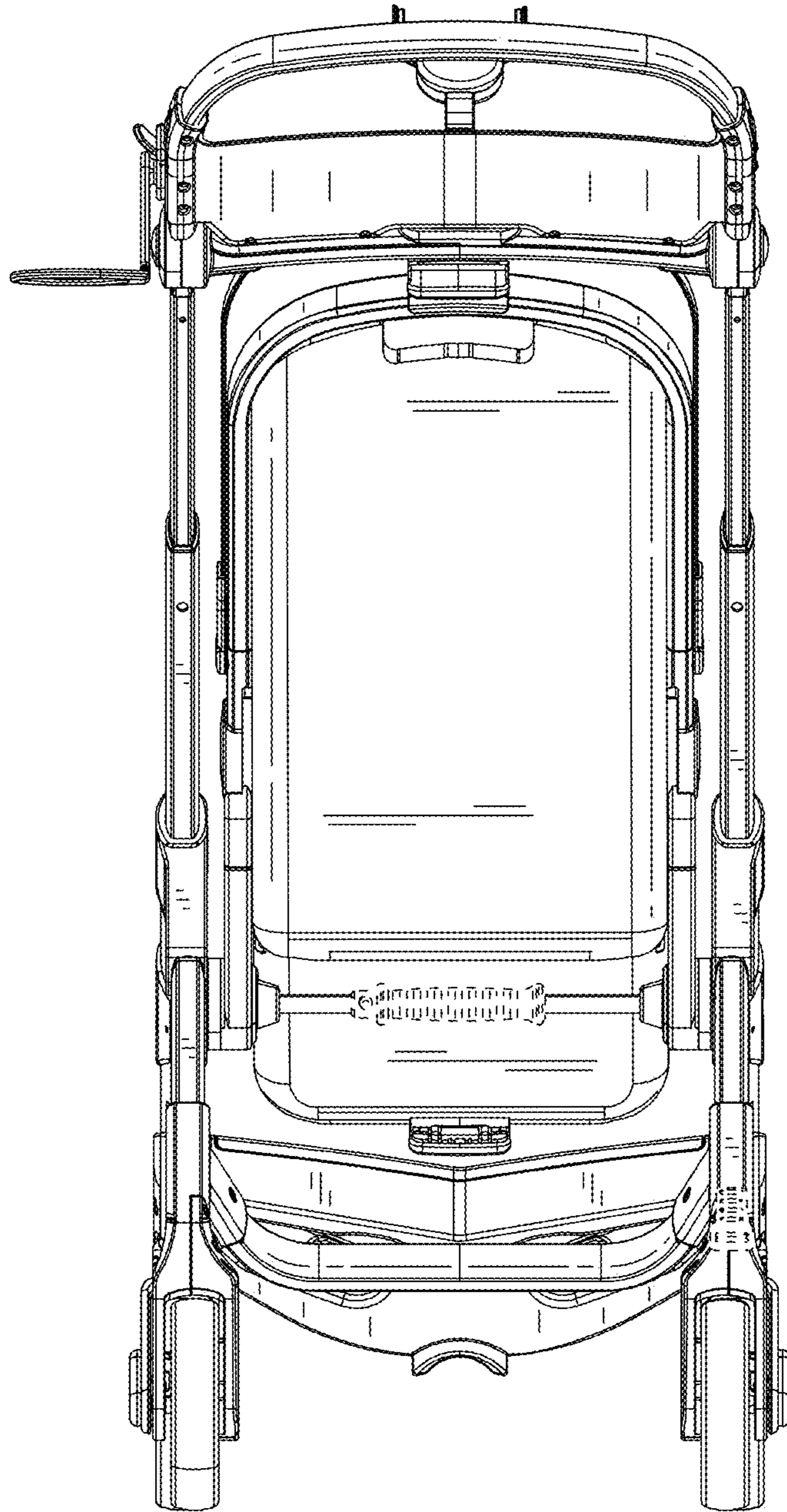


FIG. 1.7