



US00D932381S

(12) **United States Design Patent** (10) **Patent No.:** **US D932,381 S**  
**Chambers et al.** (45) **Date of Patent:** **\*\* Oct. 5, 2021**

(54) **MOTORBIKE SEAT**

- (71) Applicant: **Super73, Inc.**, Irvine, CA (US)
- (72) Inventors: **Ian Chambers**, Irvine, CA (US);  
**Legrand Crewse**, Irvine, CA (US)
- (73) Assignee: **Super73, Inc.**, Irvine, CA (US)
- (\*\*) Term: **15 Years**
- (21) Appl. No.: **29/722,037**
- (22) Filed: **Jan. 24, 2020**
- (51) **LOC (13) Cl.** ..... **12-11**
- (52) **U.S. Cl.**  
USPC ..... **D12/114**
- (58) **Field of Classification Search**  
USPC ..... D12/111, 114; D6/354  
CPC ... B62J 1/002; B62J 1/007; B62J 45/20; B62J  
45/40; B62J 1/00; B62K 19/36  
See application file for complete search history.

(56) **References Cited**

U.S. PATENT DOCUMENTS

D422,421 S *	4/2000	Hoagland, IV	.....	D6/354
D443,426 S *	6/2001	Diaz	.....	D6/354
6,273,207 B1 *	8/2001	Brown	.....	B62J 25/08 180/219
D549,472 S *	8/2007	Hanagan	.....	D6/354
D846,900 S *	4/2019	Toll	.....	D6/354
D885,071 S *	5/2020	Zheng	.....	D6/354
2006/0208542 A1 *	9/2006	Baker	.....	B62J 1/12 297/195.12
2007/0120411 A1 *	5/2007	Schwarz	.....	B62J 1/12 297/452.6
2011/0198898 A1 *	8/2011	Galati	.....	B62J 1/14 297/195.13
2015/0274230 A1 *	10/2015	Gregg	.....	B62J 1/22 297/214
2015/0298753 A1 *	10/2015	Rouland	.....	A61G 5/1043 297/199

(Continued)

OTHER PUBLICATIONS

“SUPER73-S1” Electrek., posted date Aug. 7, 2019 [online], [retrieved on May 20, 2021]. Retrieved from the Internet <<https://electrek.co/2019/08/07/super73-s1-review-fast-electric-bike/>> (Year: 2019).\*

(Continued)

*Primary Examiner* — Darlington Ly

*Assistant Examiner* — Nasim Abdulaziz Ali

(74) *Attorney, Agent, or Firm* — Stradling Yocca Carlson & Rauth

(57) **CLAIM**

The ornamental design for a motorbike seat, as shown and described.

**DESCRIPTION**

FIG. 1 is a top, front, and left side perspective view of a motorbike seat embodying our new design, as installed on an exemplary motorbike;

FIG. 2 is a top, rear, and right side perspective view thereof, as installed on an exemplary motorbike;

FIG. 3 is a top, front, and left side perspective view thereof;

FIG. 4 is a top, rear, and right side perspective view thereof;

FIG. 5 is a right side elevation view thereof;

FIG. 6 is a left side elevation view thereof;

FIG. 7 is a rear elevation view thereof;

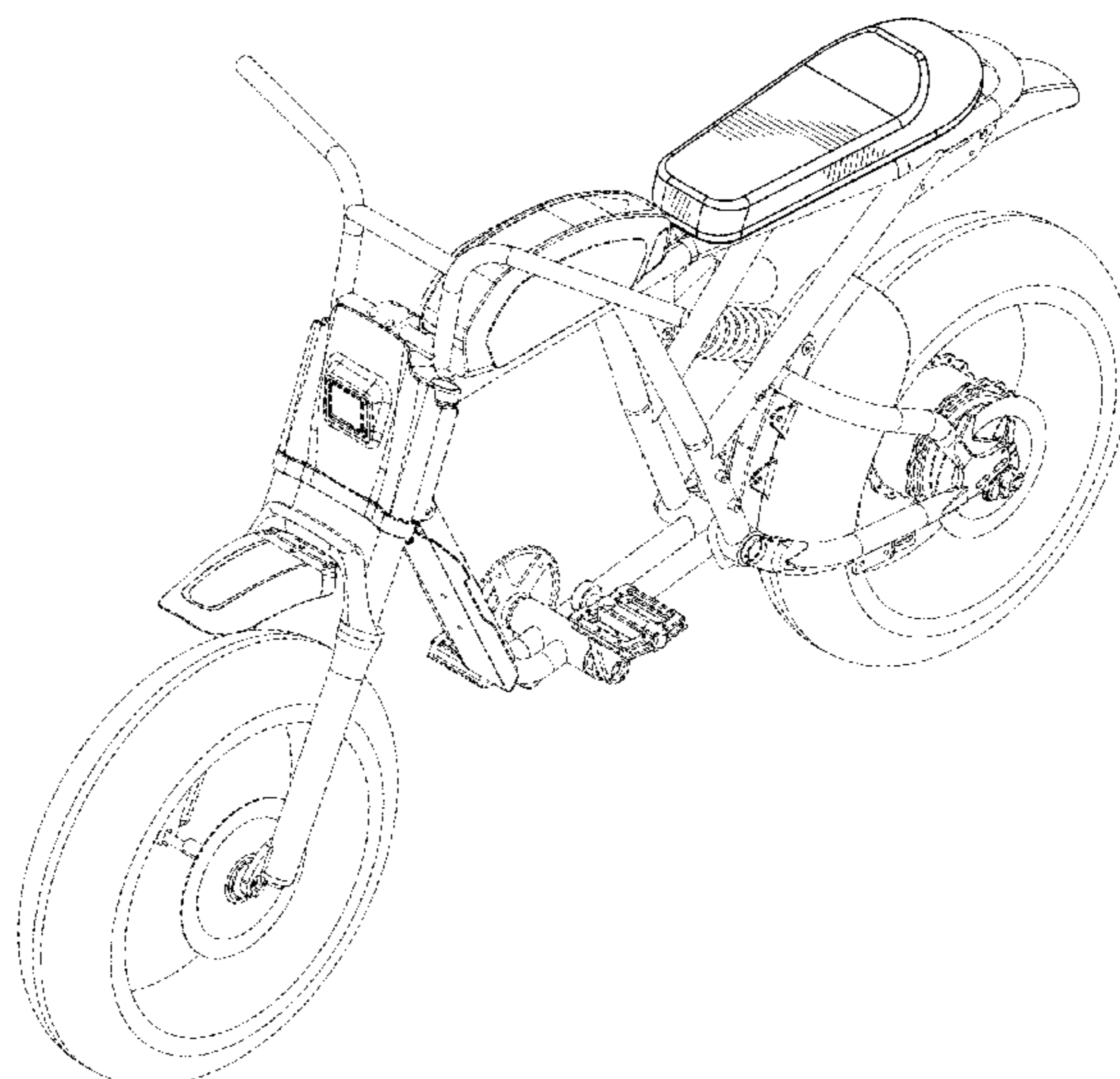
FIG. 8 is a front elevation view thereof;

FIG. 9 is a top plan view thereof; and,

FIG. 10 is a bottom plan view thereof.

The broken line showing of portions of the motorbike are provided for the purpose of illustrating environmental structure and form no part of the claimed design.

**1 Claim, 8 Drawing Sheets**



(56)

**References Cited**

U.S. PATENT DOCUMENTS

2016/0200381 A1\* 7/2016 Lorbiecki ..... B62J 1/14  
297/195.12  
2020/0262502 A1\* 8/2020 Groebner ..... B62J 1/20

OTHER PUBLICATIONS

“SUPER73 Engineer Custom Electric S-Bike” HypeBeast., posted date Jul. 3, 2020 [online], [retrieved on May 20, 2021]. Retrieved from the Internet <<https://hypebeast.com/2020/7/neighborhood-super-73-custom-s-bike-release>> (Year: 2020).\*

“2-UP Seat” Super73., posted date Nov. 8, 2019 [online], [retrieved on May 20, 2021]. Retrieved from the Internet <<https://super73.com/collections/all-products/products/double-seat>> (Year: 2019).\*

\* cited by examiner

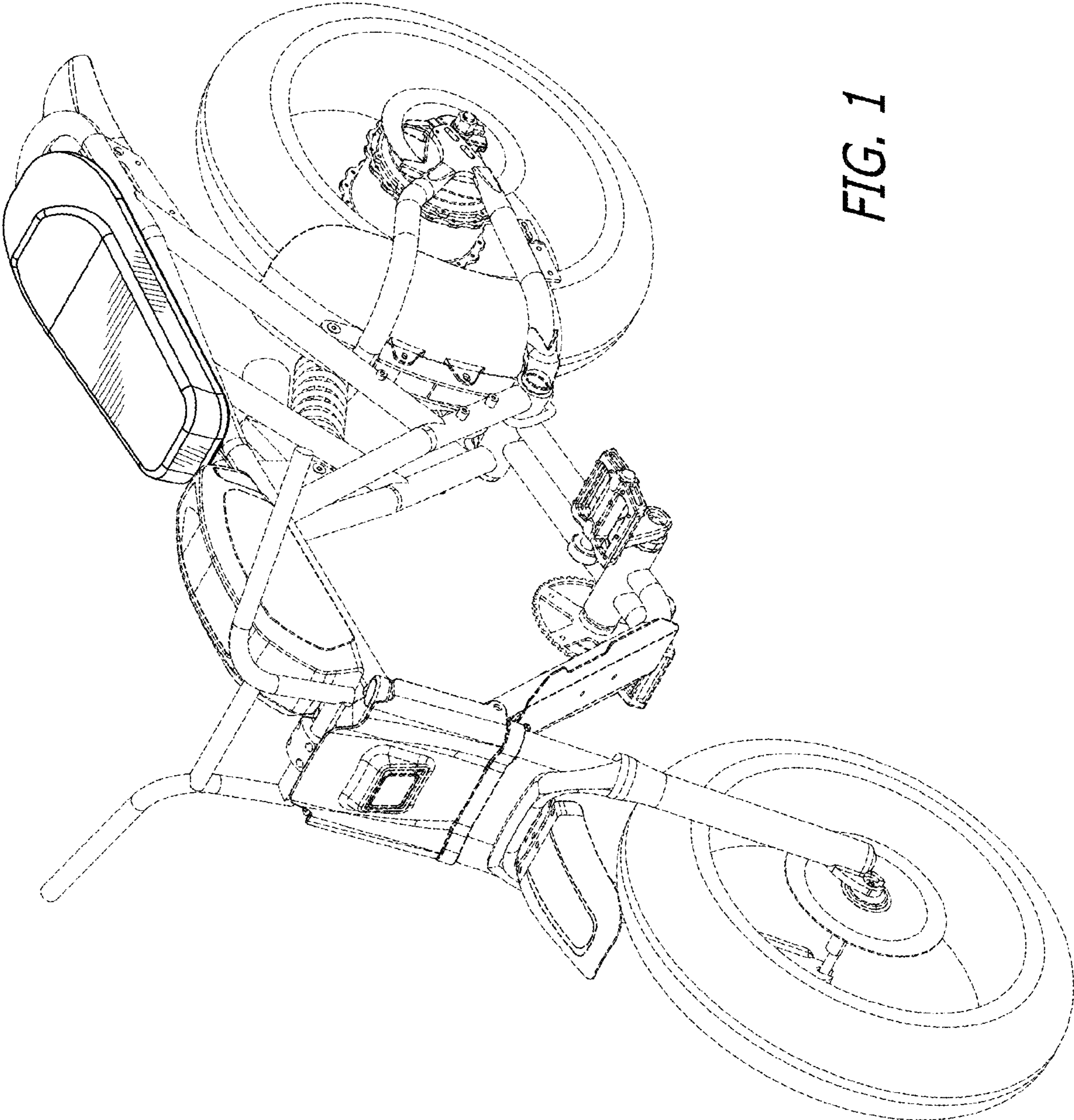


FIG. 1



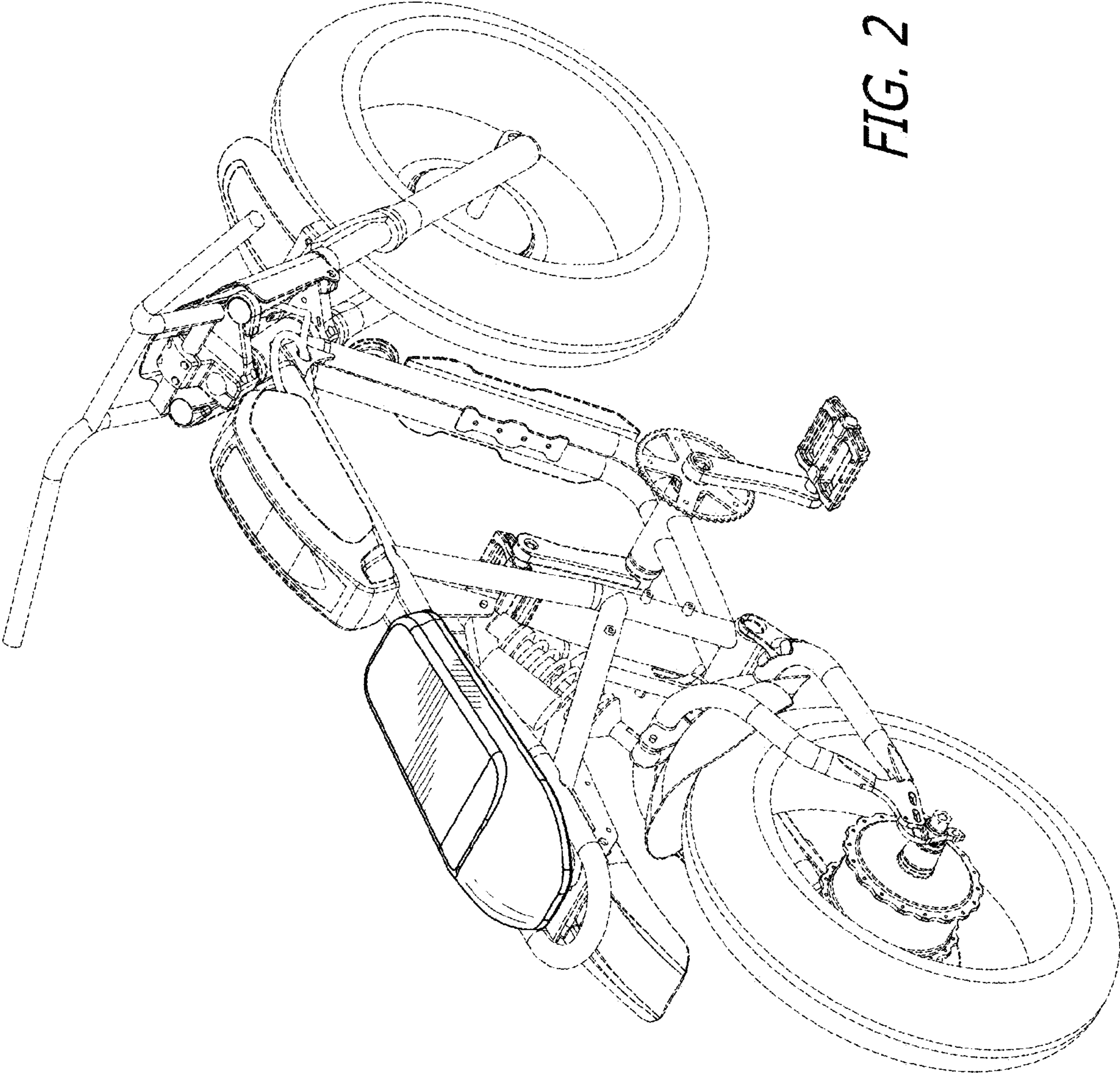


FIG. 2

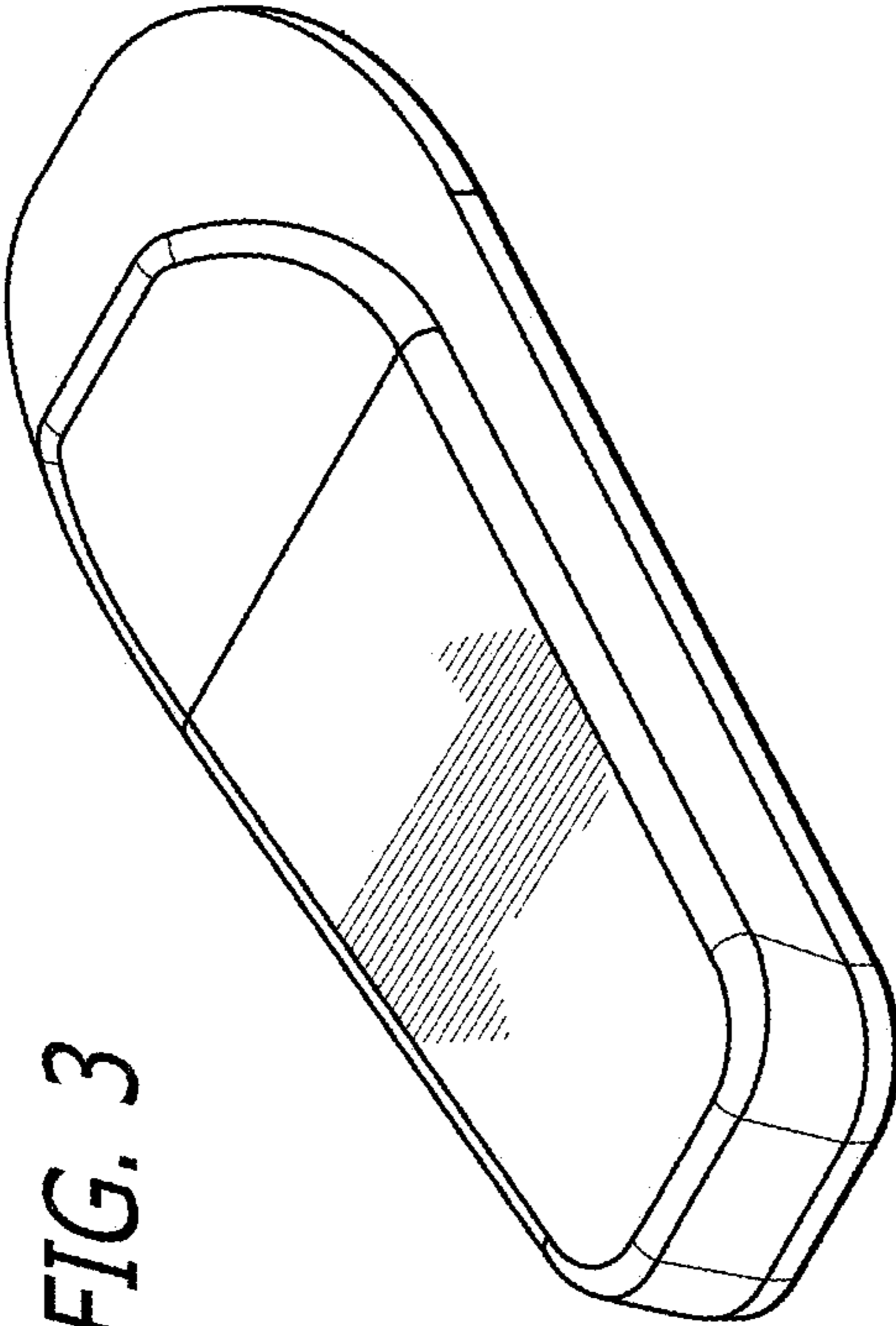
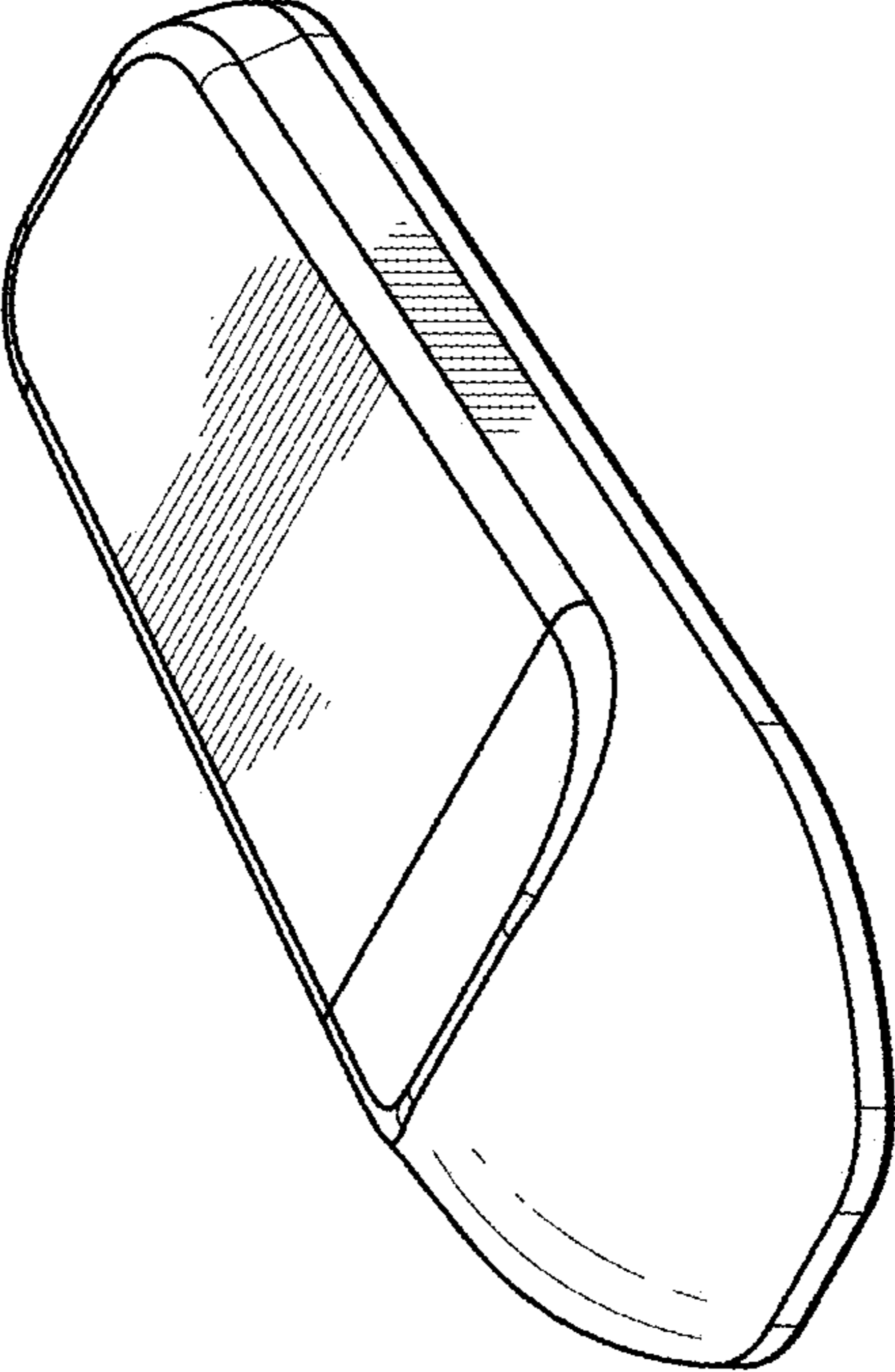


FIG. 3

FIG. 4



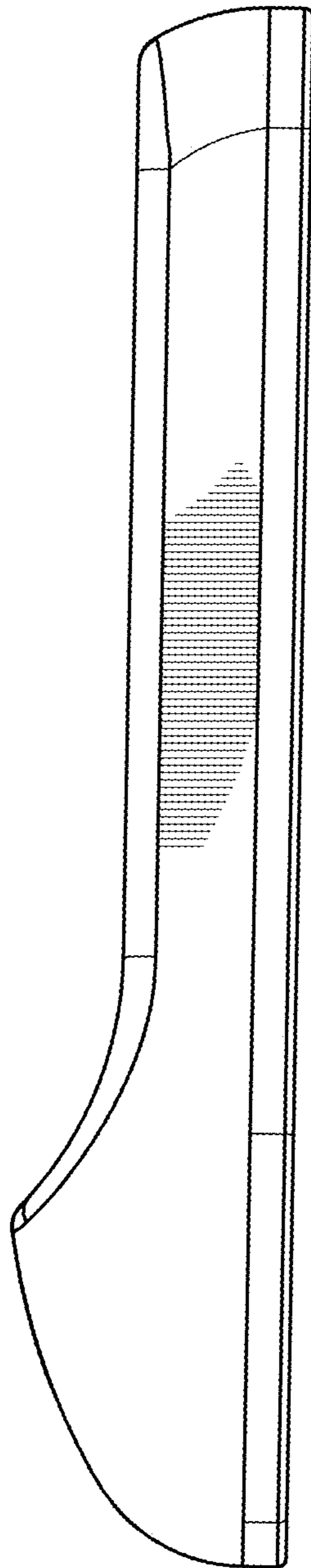


FIG. 5

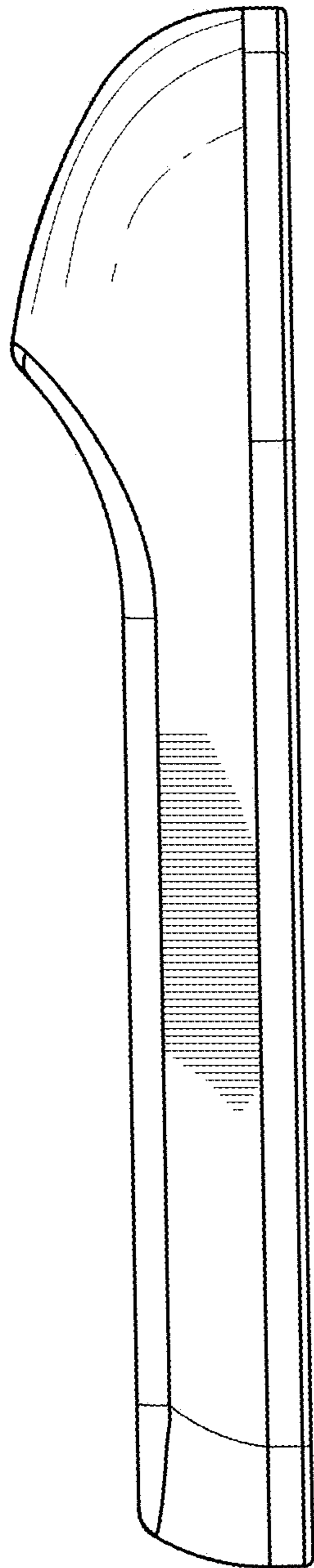


FIG. 6

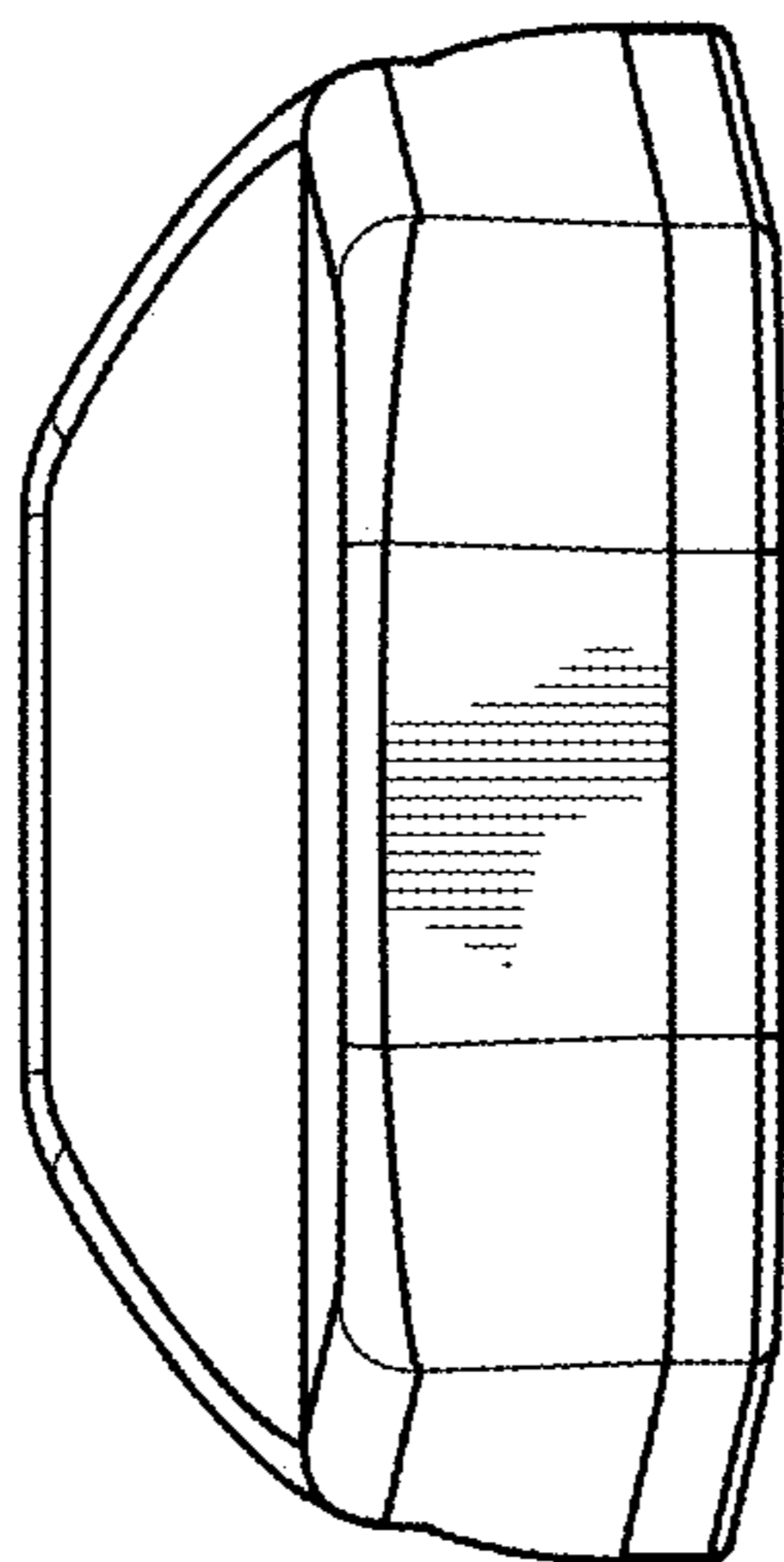


FIG. 8

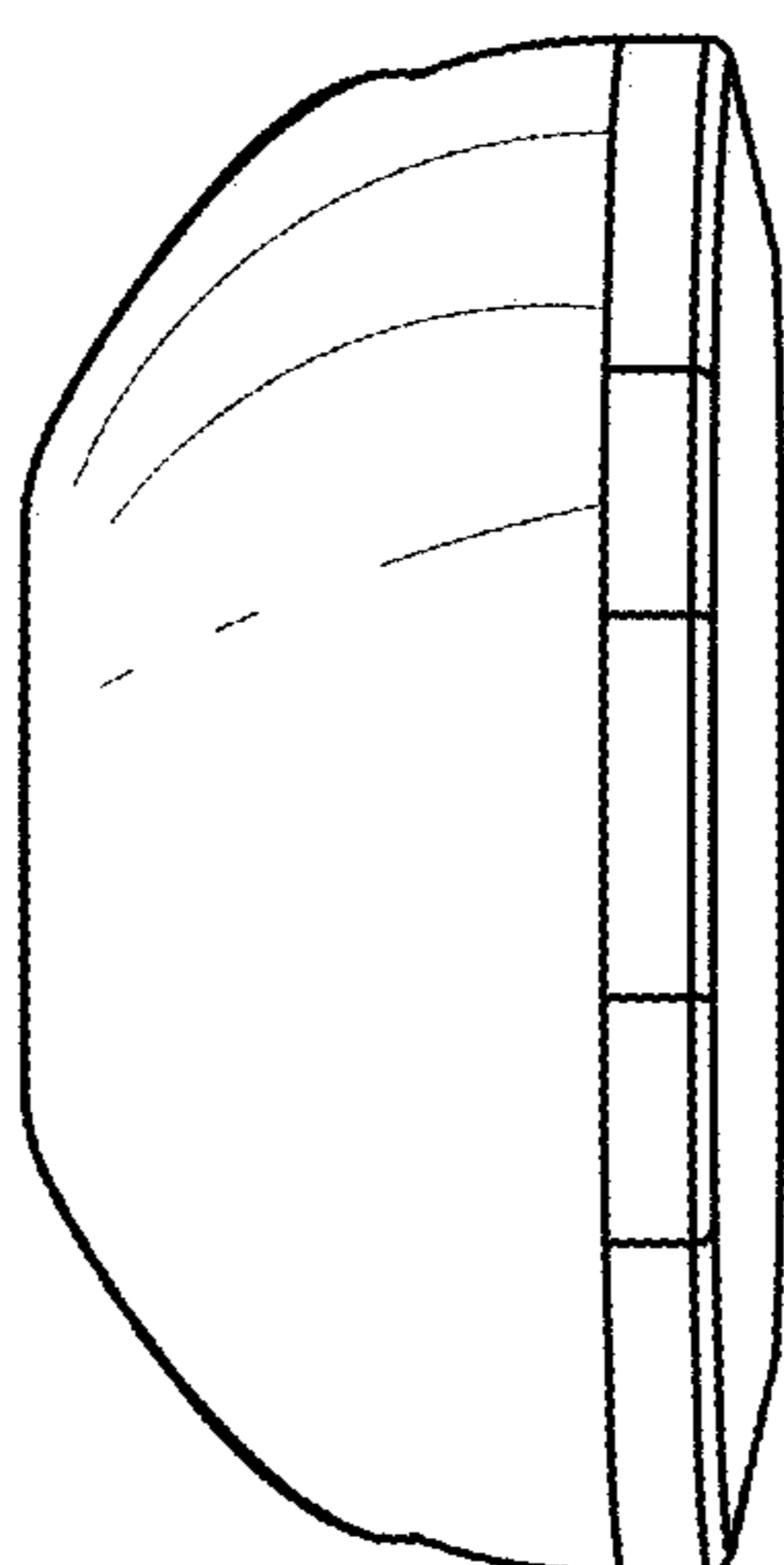


FIG. 7



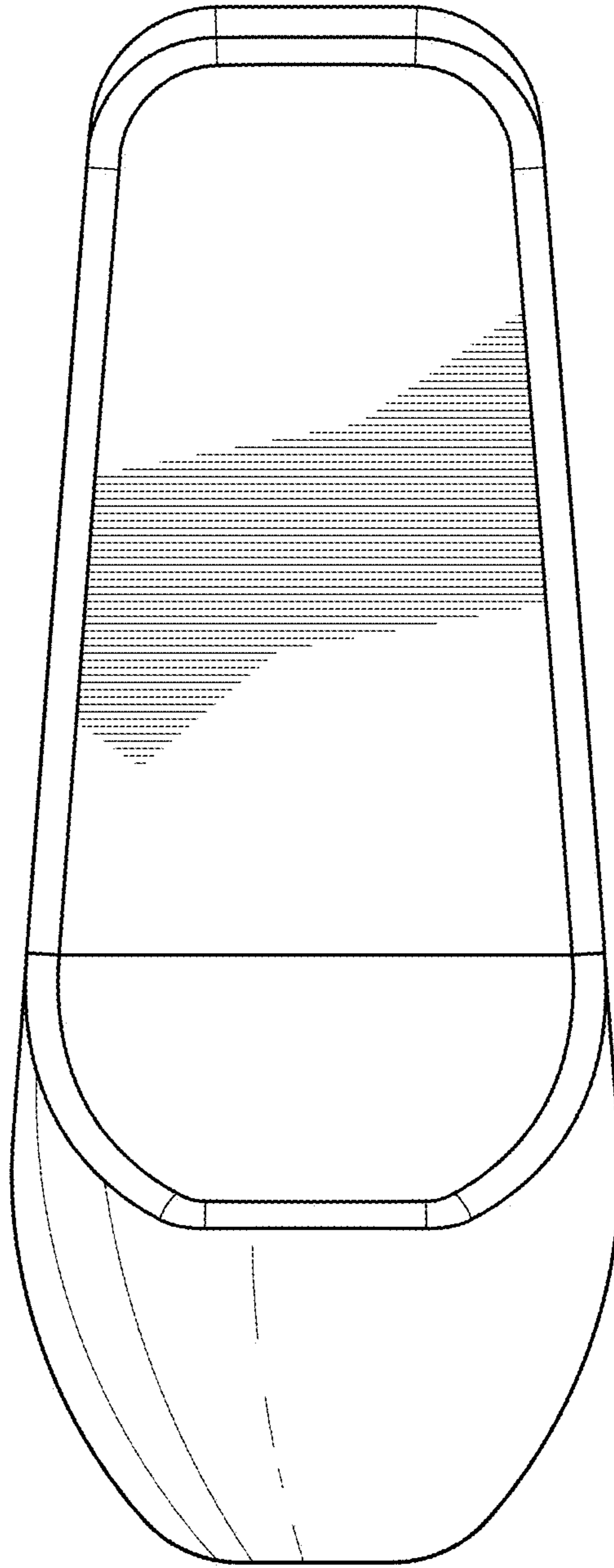
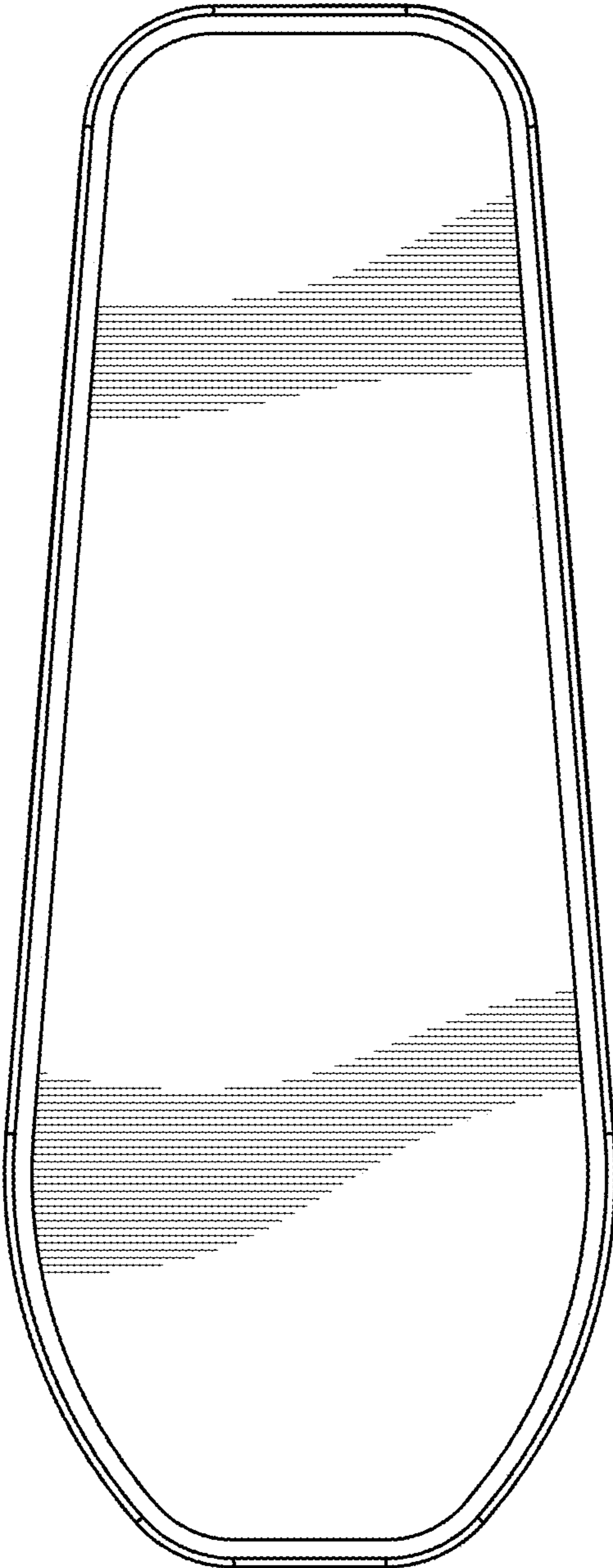


FIG. 9



*FIG. 10*