



US00D932379S

(12) **United States Design Patent** (10) **Patent No.:** **US D932,379 S**
Ni (45) **Date of Patent:** **** Oct. 5, 2021**

(54) **SEAT FOR TRICYCLE**
(71) Applicant: **Shaolin Ni**, Tianjin (CN)
(72) Inventor: **Shaolin Ni**, Tianjin (CN)
(73) Assignee: **Tianjin Shengshida Technology Co., Ltd.**, Tianjin (CN)
(**) Term: **15 Years**
(21) Appl. No.: **29/698,579**
(22) Filed: **Jul. 18, 2019**
(51) **LOC (13) Cl.** **12-11**
(52) **U.S. Cl.**
USPC **D12/114**
(58) **Field of Classification Search**
USPC D12/114, 113, 112, 111, 110, 19, 101,
D12/102, 129; D6/354, 356, 360;
D34/24, 18, 17, 15
CPC B62K 9/02; B62K 5/02; B62J 1/00; B62J
1/002; B62B 7/00; B62B 7/04; B62B
7/126
See application file for complete search history.

D289,271 S * 4/1987 Hendrickson D12/112
D289,273 S * 4/1987 Berger D12/112
D308,499 S * 6/1990 Berger D12/112
D327,240 S * 6/1992 Jackson D12/112
D344,914 S * 3/1994 McNutt D12/110
5,599,033 A * 2/1997 Kolbus B62B 7/00
280/204
D383,094 S * 9/1997 Mast D12/102
5,863,058 A * 1/1999 Jinks B62K 7/00
280/202
D405,031 S * 2/1999 Li D12/112
D460,868 S * 7/2002 Bean D6/354
6,443,469 B1 * 9/2002 Cross B62B 7/04
280/282
10,220,908 B2 * 3/2019 Ryschon B62K 7/04
2006/0108766 A1 * 5/2006 Staszak B62B 7/126
280/204

* cited by examiner

Primary Examiner — Michelle E. Wilson
Assistant Examiner — Clese Moore, Jr.

(57) **CLAIM**

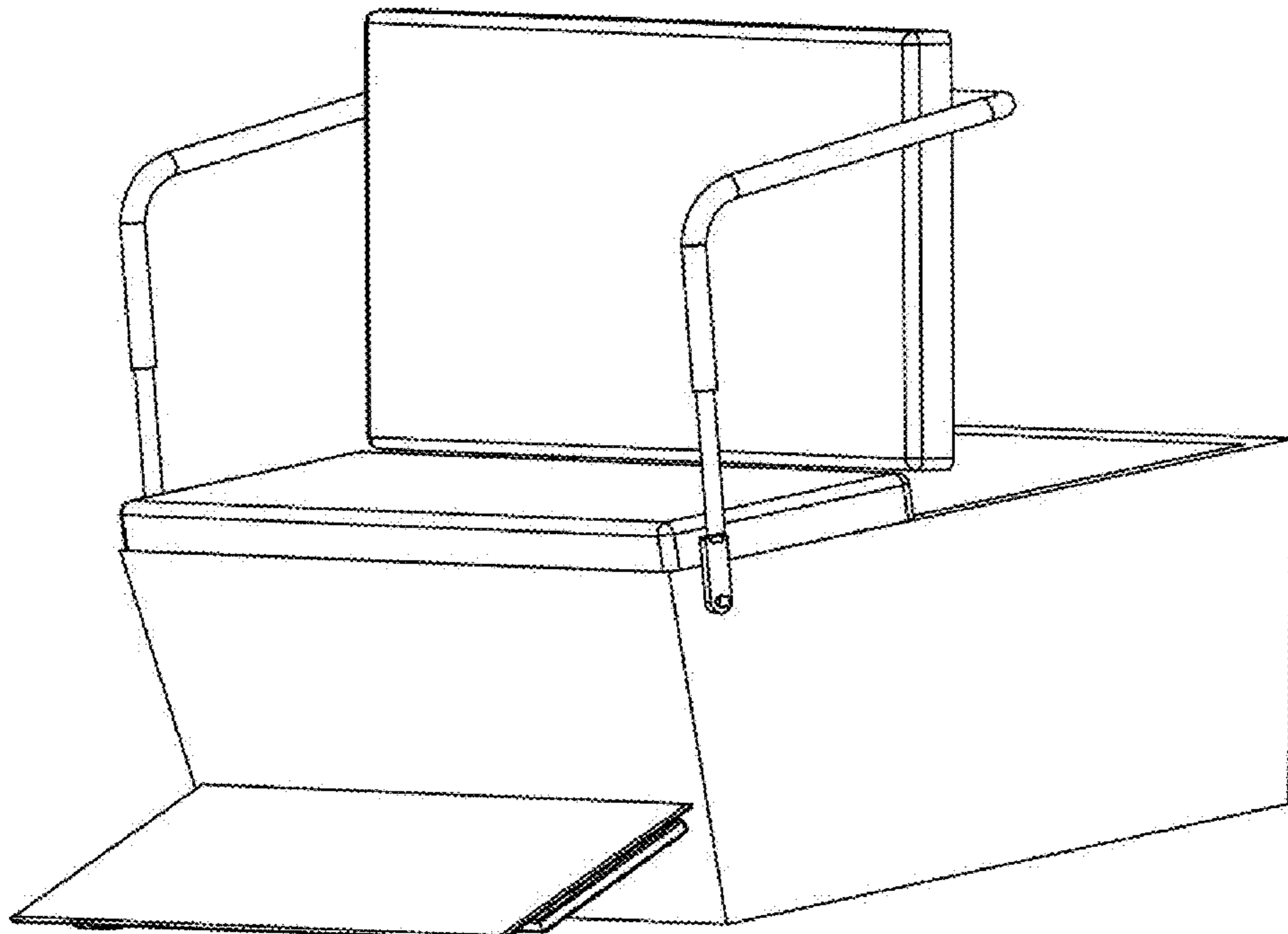
The ornamental design for a seat for tricycle, as shown and described.

DESCRIPTION

FIG. 1 is a perspective view of a seat for tricycle showing my new design;
FIG. 2 is another perspective view thereof;
FIG. 3 is a front elevational view thereof;
FIG. 4 is a rear elevational view thereof;
FIG. 5 is a left side view thereof;
FIG. 6 is a right side view thereof;
FIG. 7 is a top plan view thereof; and,
FIG. 8 is a bottom plan view thereof.

1 Claim, 8 Drawing Sheets

(56) **References Cited**
U.S. PATENT DOCUMENTS
D149,193 S * 4/1948 Larralde D12/112
D162,540 S * 3/1951 Hsu D12/112
3,866,945 A * 2/1975 Bingham B62K 5/00
280/202
D246,776 S * 12/1977 Moore D12/110
D254,968 S * 5/1980 Moore D12/112
D268,923 S * 5/1983 Mann D12/112
D280,890 S * 10/1985 Trudo D12/112
D287,317 S * 12/1986 Allen D6/354



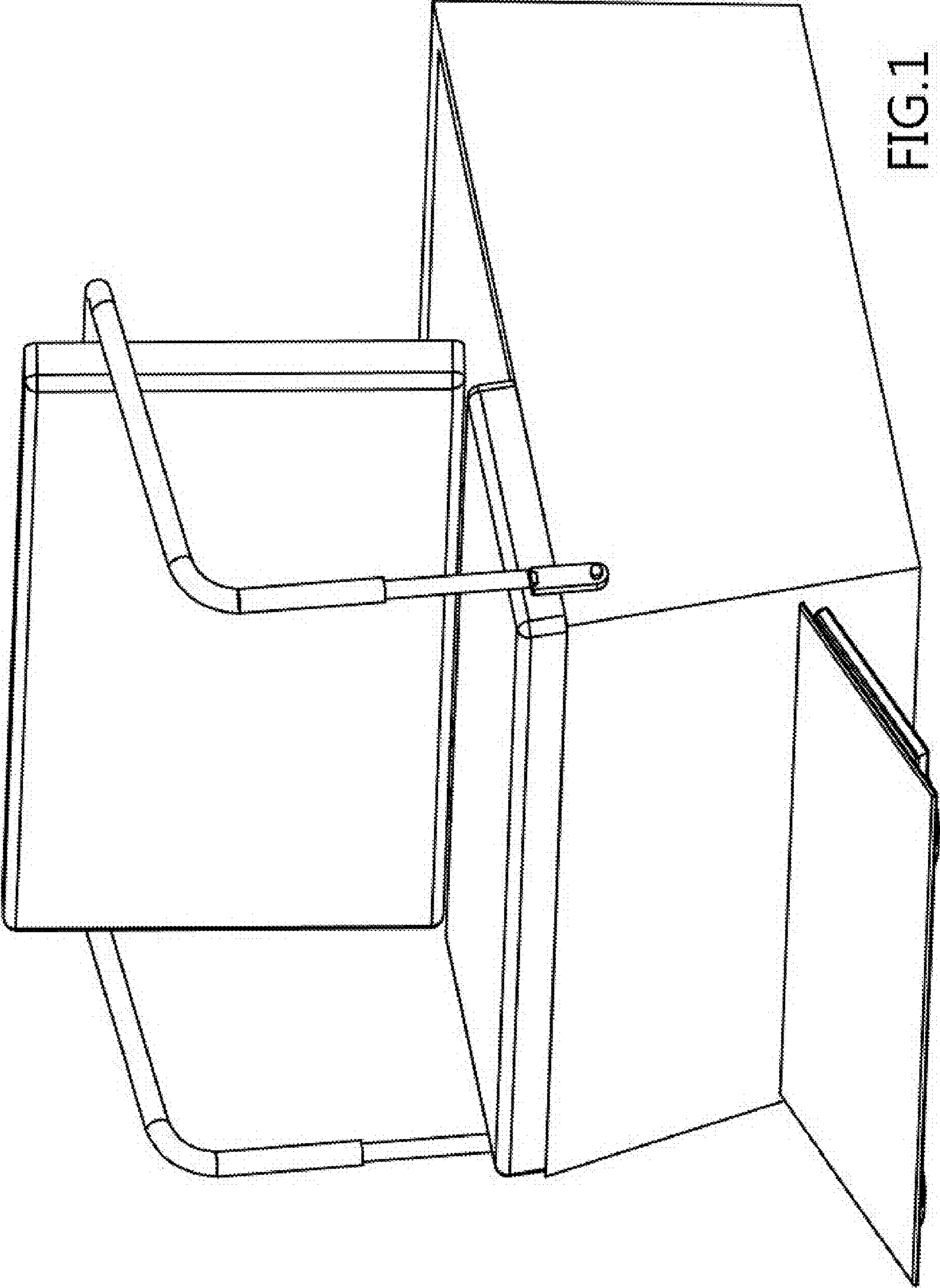


FIG. 1

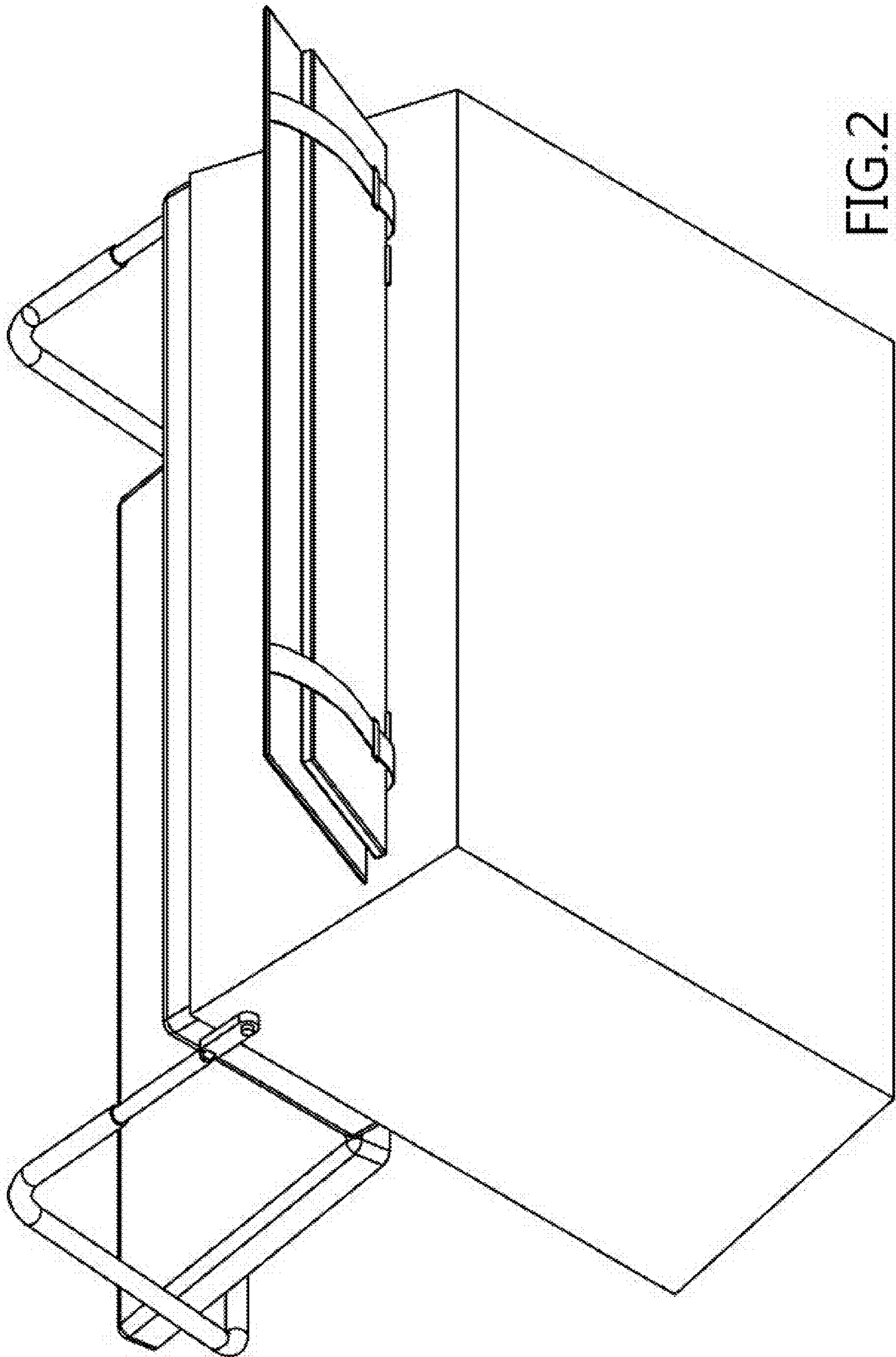


FIG. 2

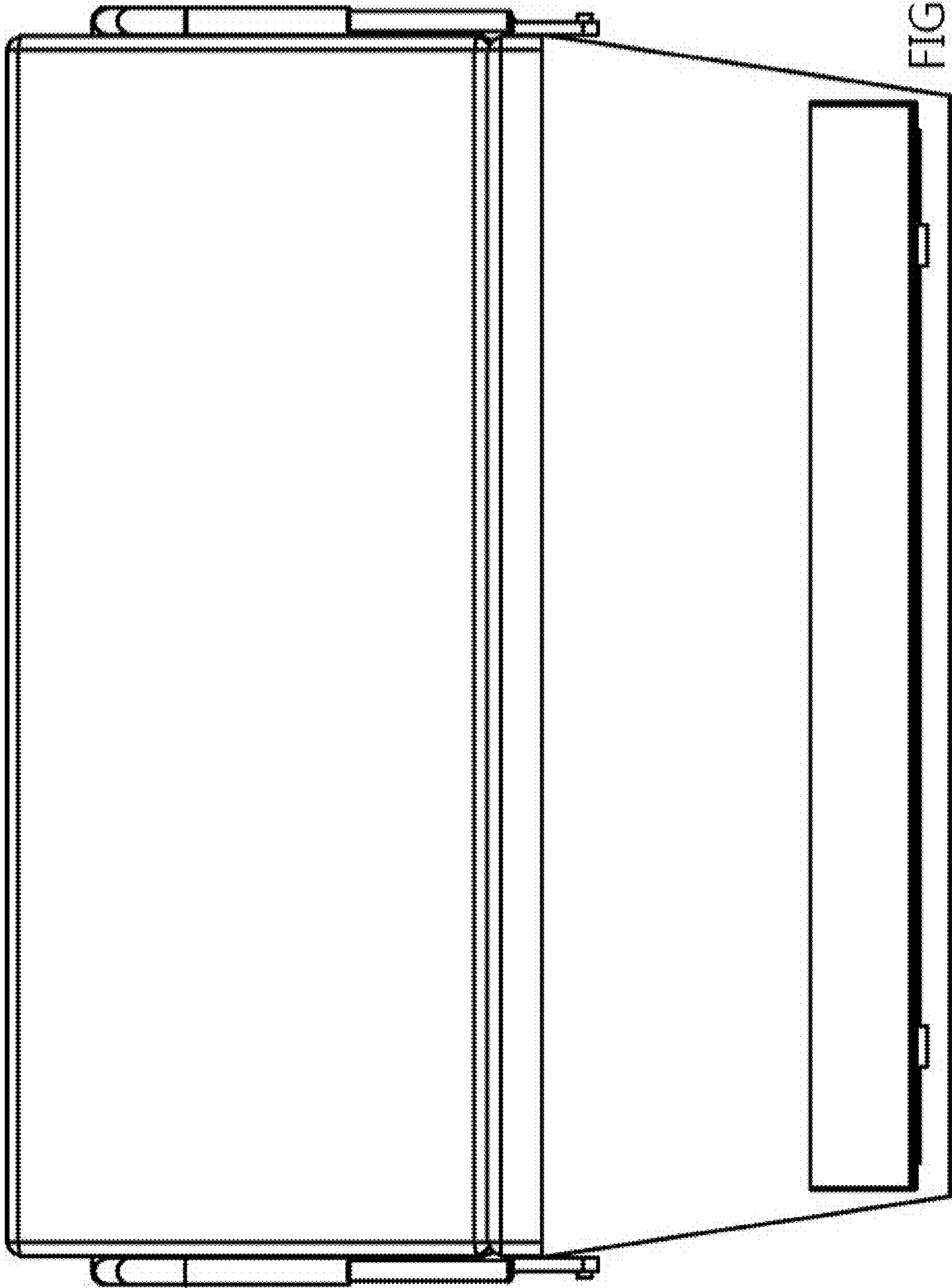


FIG. 3

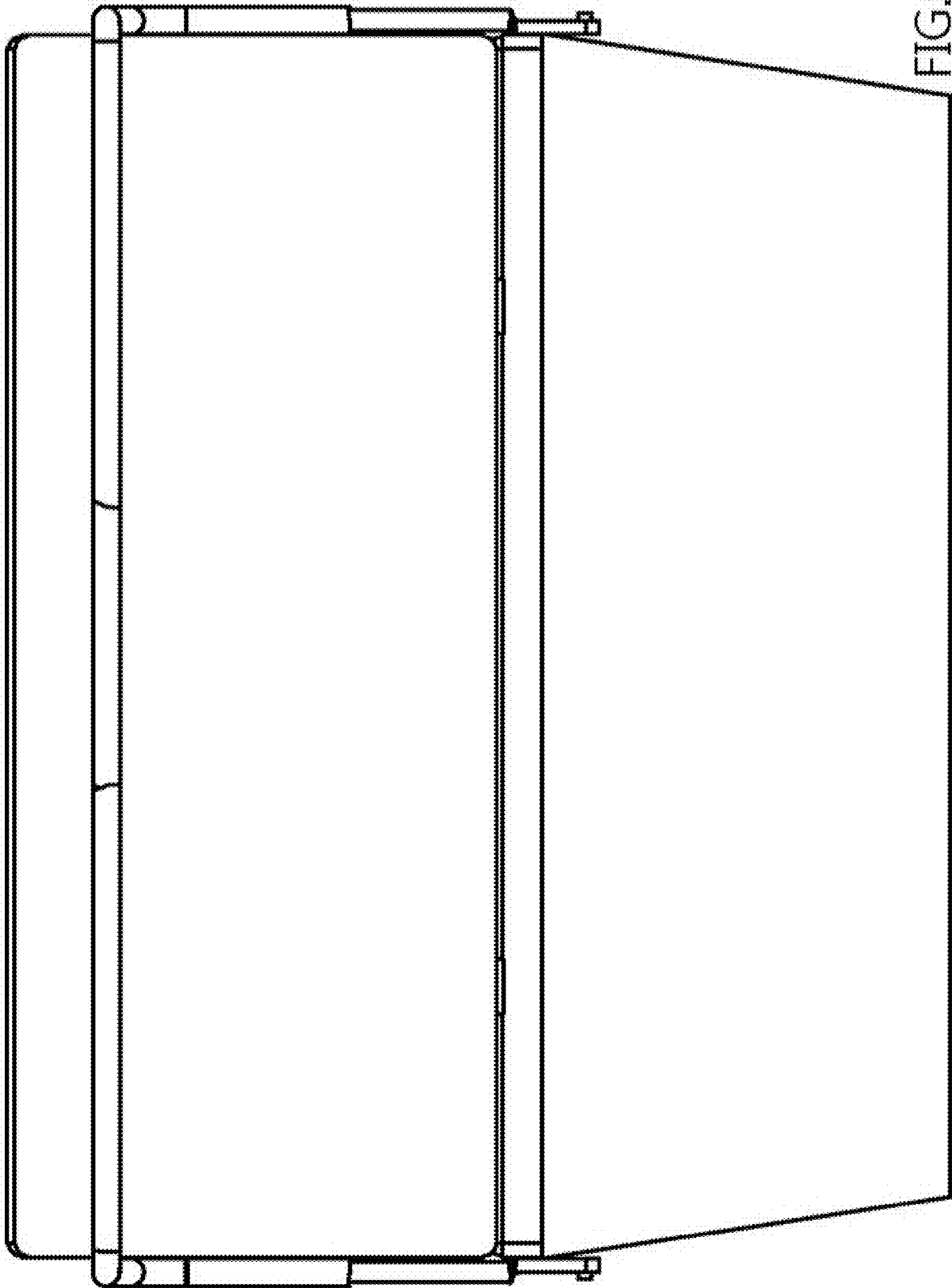
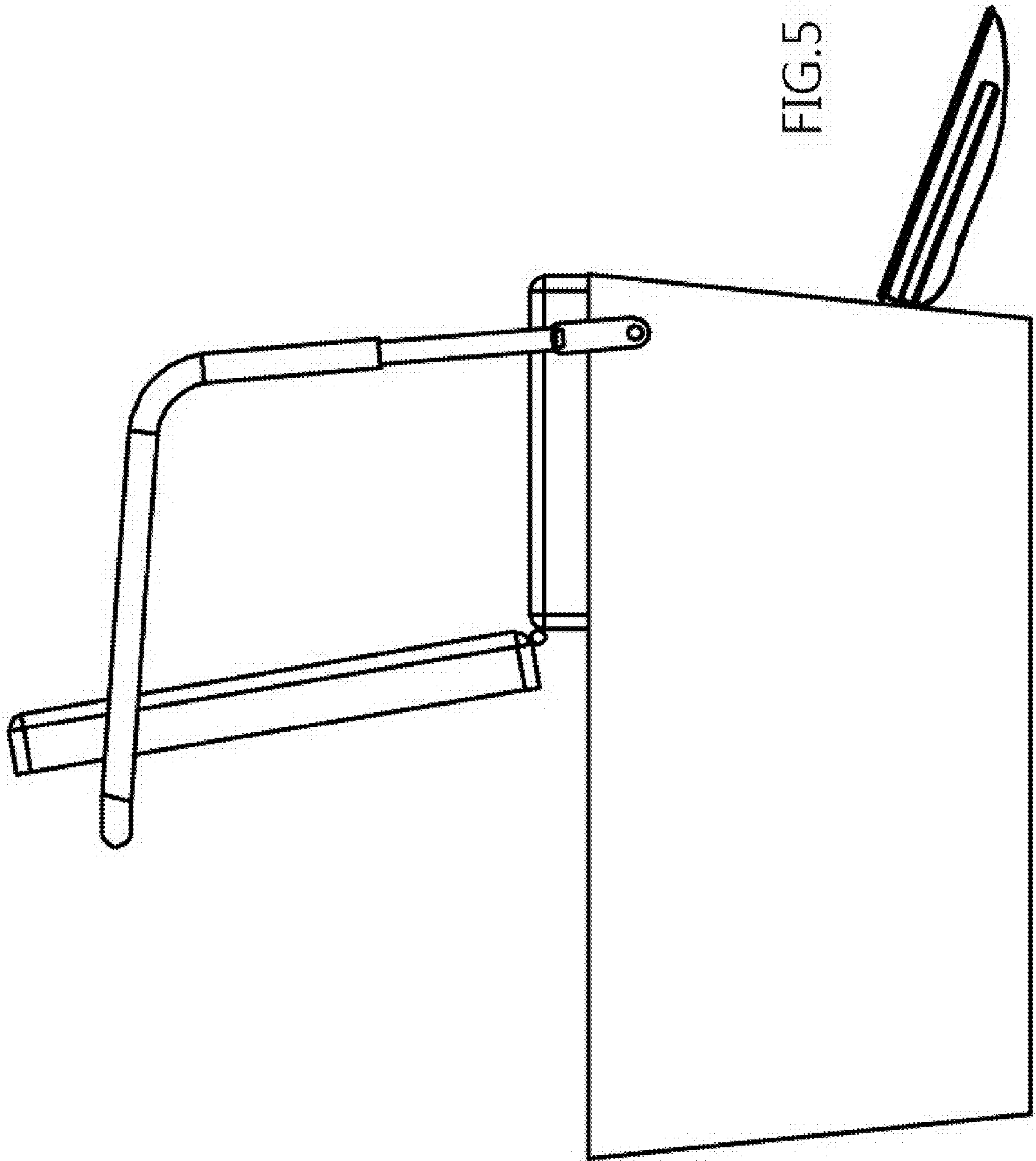


FIG. 4



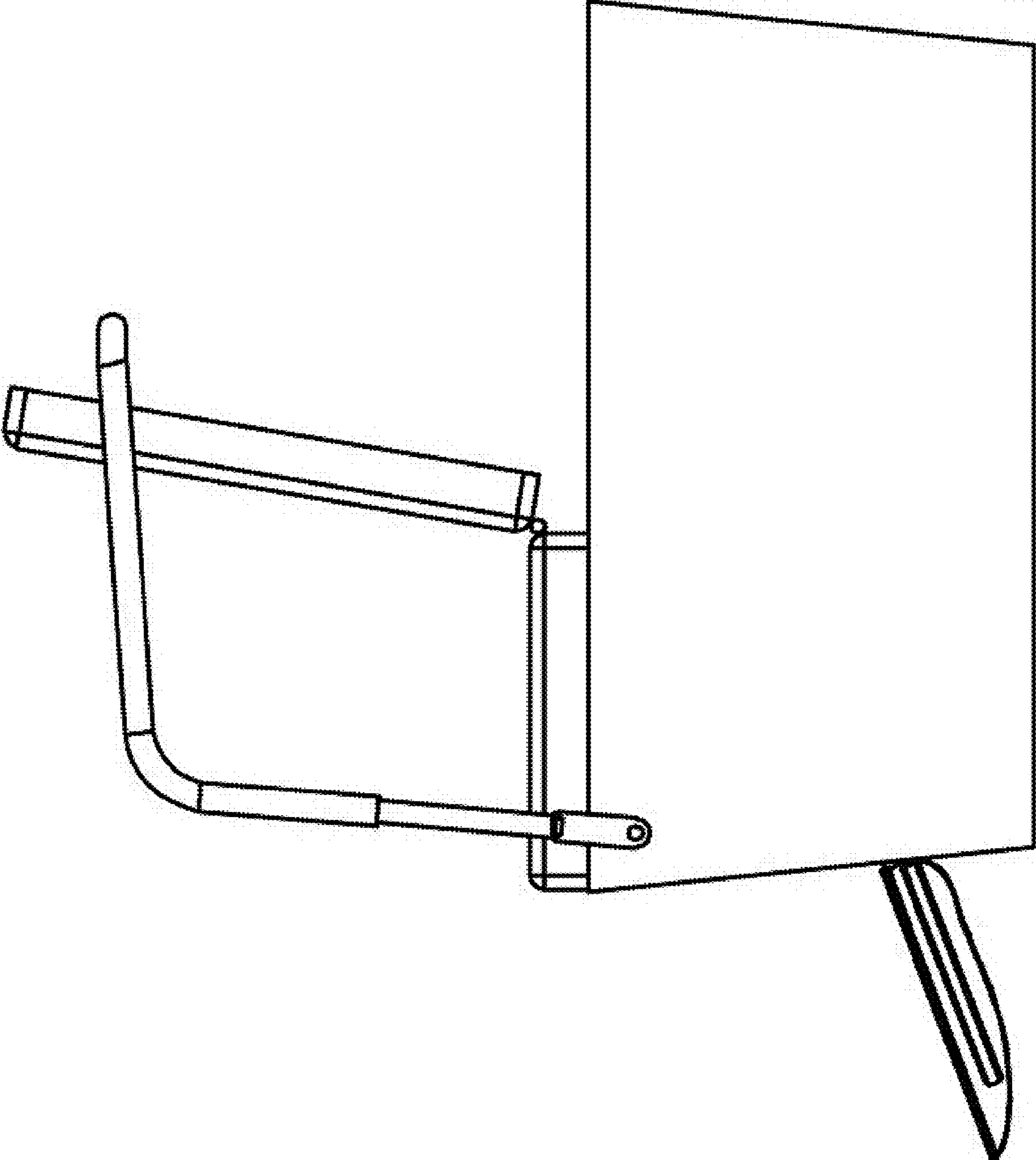


FIG.6

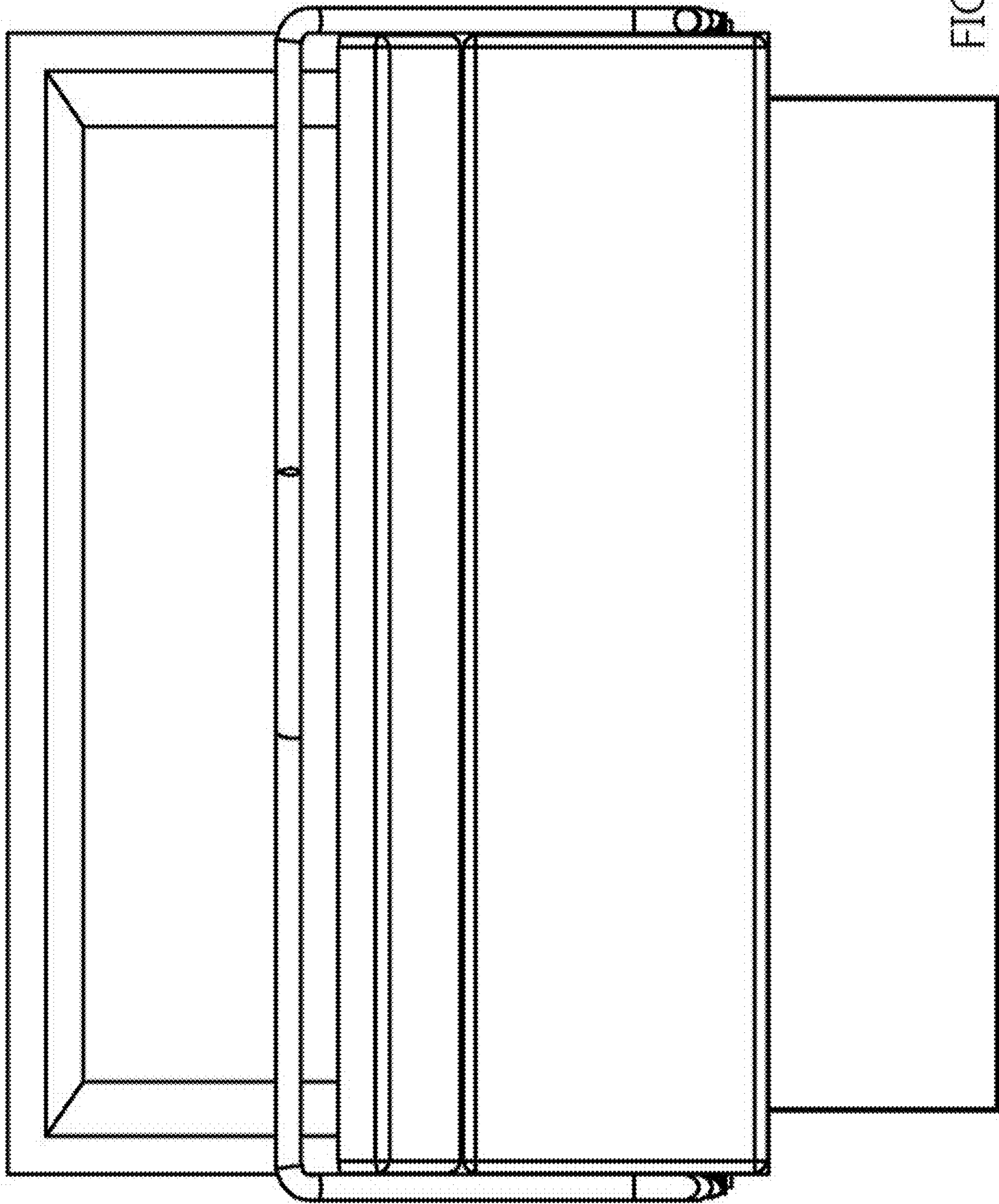


FIG. 7

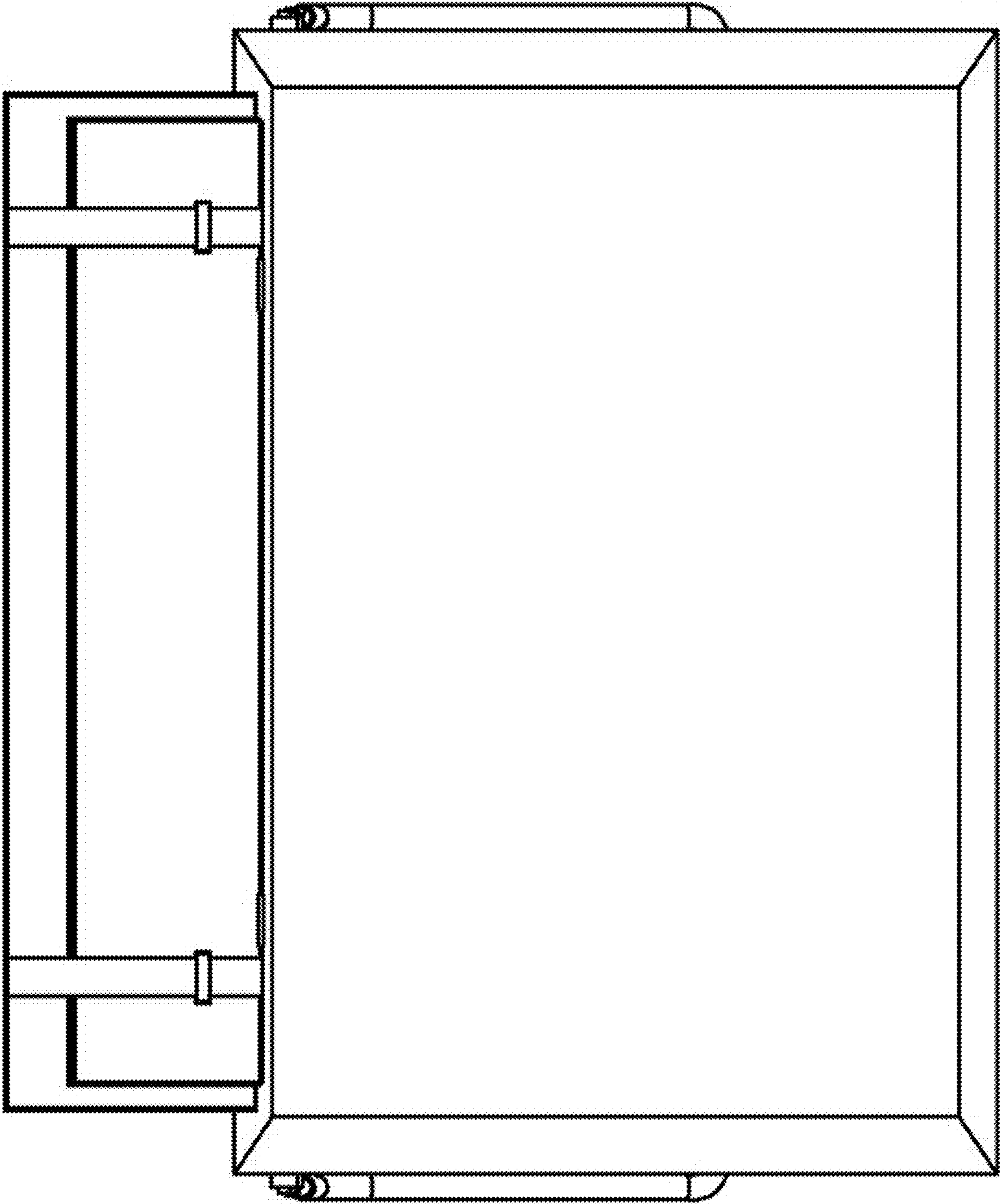


FIG. 8