



US00D932378S

(12) **United States Design Patent** (10) **Patent No.:** **US D932,378 S**
Hu (45) **Date of Patent:** **** Oct. 5, 2021**

(54) **ELECTRIC BICYCLE**
(71) Applicant: **Beijing Niu Information Technology Co., Ltd.**, Beijing (CN)
(72) Inventor: **Yilin Hu**, Beijing (CN)
(73) Assignee: **BEIJING NIU INFORMATION TECHNOLOGY CO., LTD.**, Beijing (CN)

D670,205 S * 11/2012 Takakuwa D12/110
D678,128 S * 3/2013 Lambri D12/110
D678,129 S * 3/2013 Kubota D12/110
D686,540 S * 7/2013 Hinderhofer D12/111
D726,076 S * 4/2015 Arai D12/110
D829,131 S * 9/2018 Schieffelin D12/111
D874,346 S * 2/2020 Xiong D12/111
D906,889 S * 1/2021 Piatti D12/110
2011/0240391 A1* 10/2011 Bonneville B62M 6/90
180/220

(**) Term: **15 Years**
(21) Appl. No.: **29/705,483**
(22) Filed: **Sep. 12, 2019**

(30) **Foreign Application Priority Data**
Mar. 14, 2019 (CN) 201930105006.9
(51) **LOC (13) Cl.** **12-11**
(52) **U.S. Cl.**
USPC **D12/111**
(58) **Field of Classification Search**
USPC D12/110, 111, 117; D21/412, 414, 419,
D21/423-428, 431-435
CPC B62K 3/00; B62K 3/02; B62K 3/06
See application file for complete search history.

(56) **References Cited**
U.S. PATENT DOCUMENTS
D503,908 S * 4/2005 Tomomatsu D12/110
D510,715 S * 10/2005 Wu D12/128
D529,415 S * 10/2006 Shimada D12/110
D537,386 S * 2/2007 Mizuta D12/110
D537,756 S * 3/2007 Kitayama D12/110
D574,300 S * 8/2008 Kitayama D12/110
D602,402 S * 10/2009 Takahashi D12/110
D629,721 S * 12/2010 Takeno D12/110
D662,860 S * 7/2012 Devernay D12/110

OTHER PUBLICATIONS

Don Williams. "2020 Honda Activa 125 Scooter First Look (7 Fast Facts)." *Ultimate Motorcycling.*, Jun. 12, 2019 [online], [retrieved on May 5, 2021]. Retrieved from the Internet <URL: <https://ultimatemotorcycling.com/2019/06/12/2020-honda-activa-125-scooter-first-look-7-fast-facts/>>.*

(Continued)

Primary Examiner — Darlington Ly
(74) *Attorney, Agent, or Firm* — Robert C. Netter, Jr.;
Dann, Dorfman, Herrell & Skillman

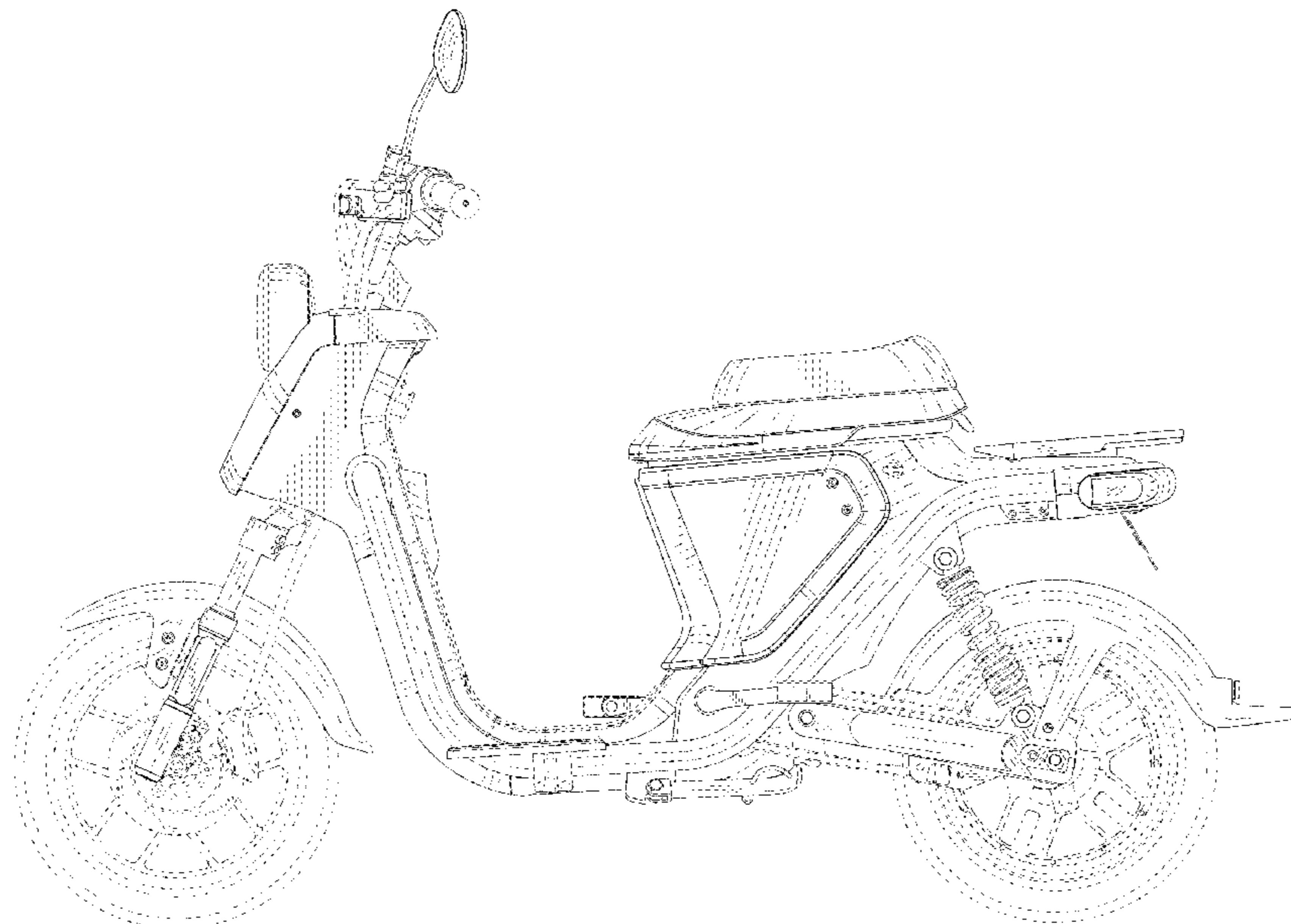
(57) **CLAIM**

I claim the ornamental design for an electric bicycle, as shown and described.

DESCRIPTION

FIG. 1 is a left side elevation view of an electric bicycle embodying my new design;
FIG. 2 is a right side elevation view thereof;
FIG. 3 is a front elevation view thereof;
FIG. 4 is a rear elevation view thereof;
FIG. 5 is a top plan view thereof;
FIG. 6 is a bottom plan view thereof; and,
FIG. 7 is a front and left side perspective view thereof.
The broken lines shown in the figures depict portions of the electric bicycle that form no part of the claimed design.

1 Claim, 7 Drawing Sheets



(56)

References Cited

OTHER PUBLICATIONS

Joe Appleton. "12 Awesome 50cc Scooter Mopeds For Sale In The USA! We Take a Look at Some of the Coolest 50cc Scooters for Sale in the USA!" Auto Wise., Feb. 1, 2018 [online], [retrieved on May 5, 2021]. Retrieved from the Internet <URL: <https://autowise.com/50cc-scooters-for-sale/>>.*

"2010 Honda Elite 110." Motorcycle., 2010 [online], [retrieved on May 5, 2021]. Retrieved from the Internet <URL: <https://www.motorcycle.com/specs/honda/scooter/2010/elite/110.html#REVIEWS>>.*

* cited by examiner

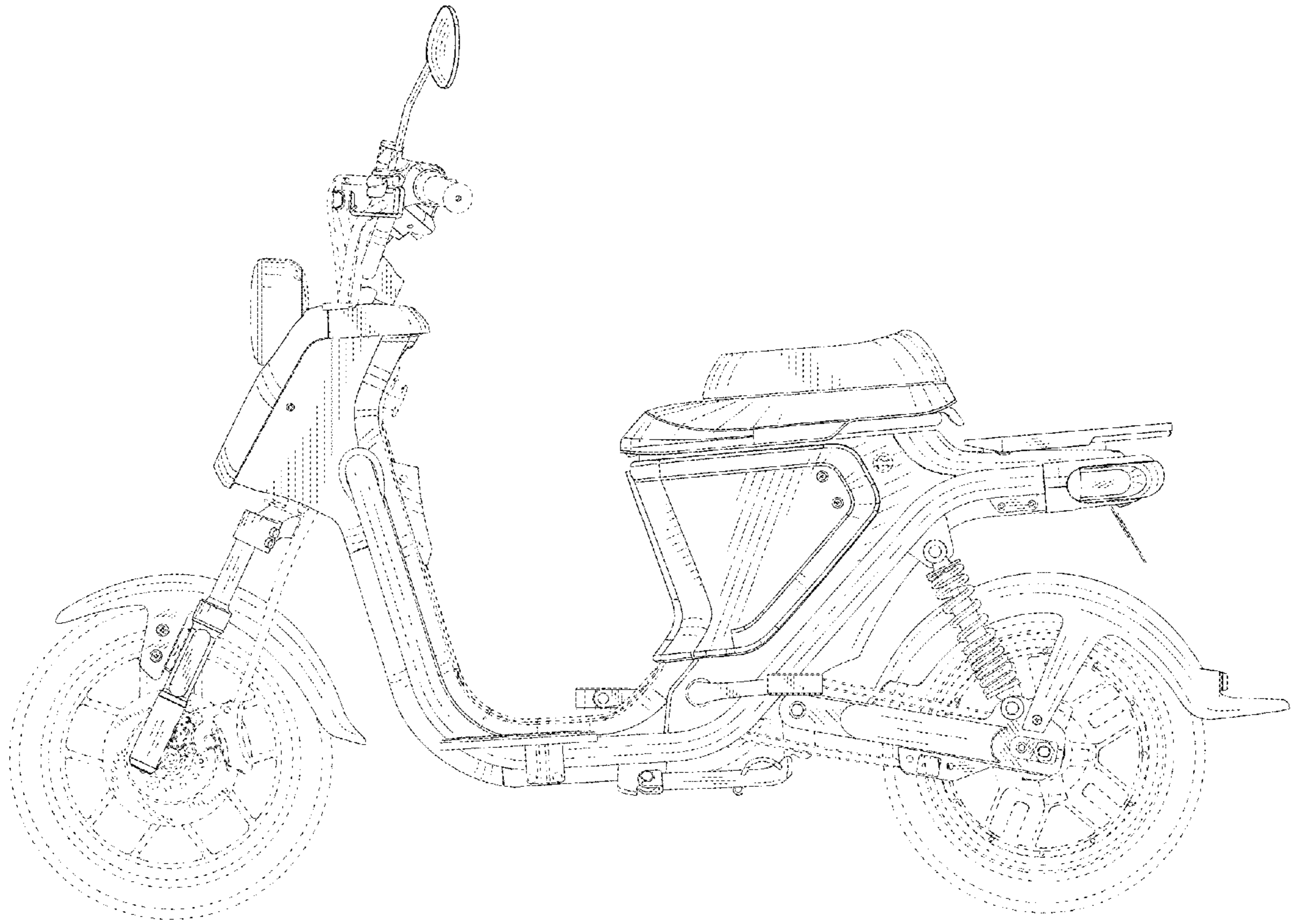


FIG. 1

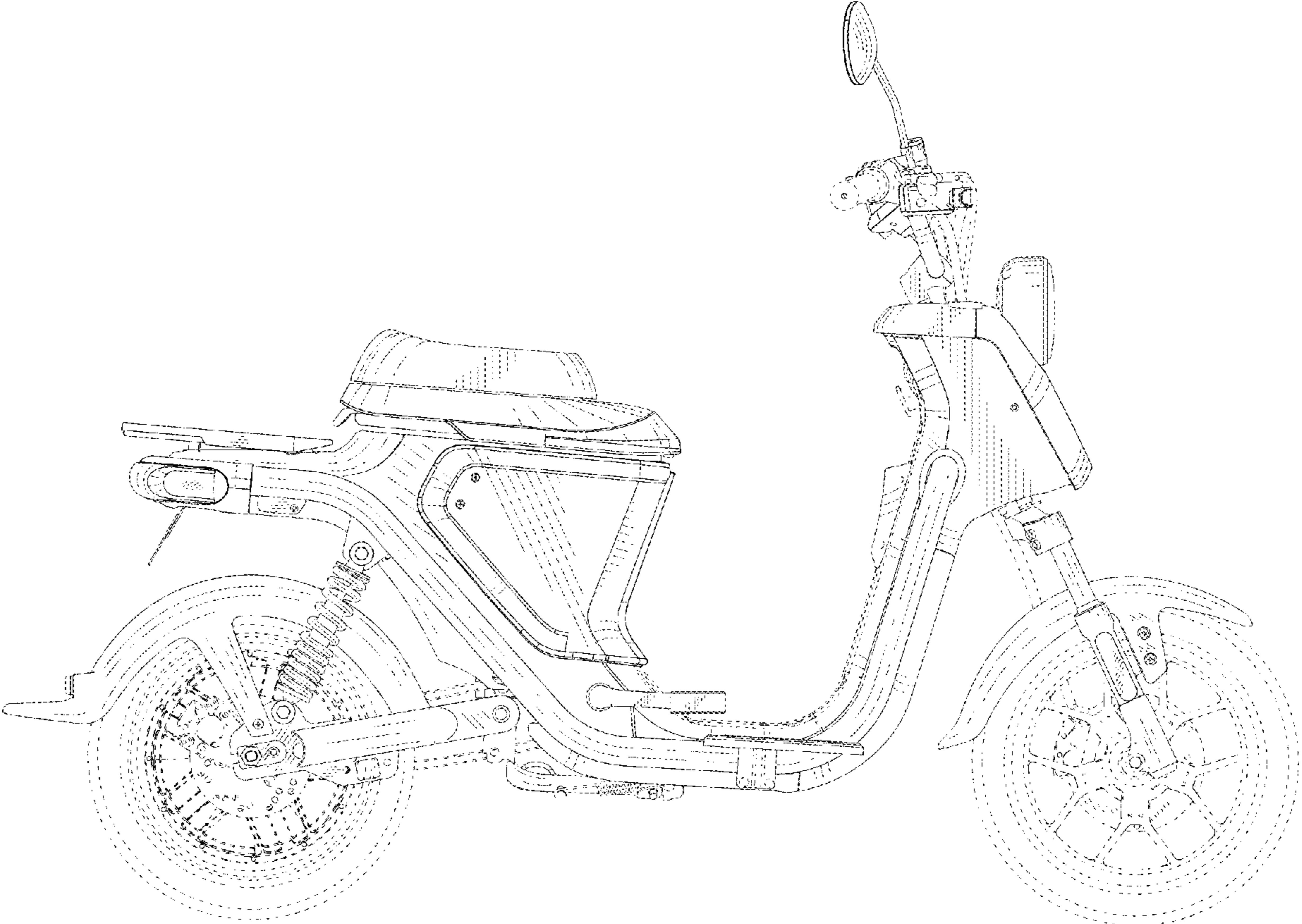


FIG.2

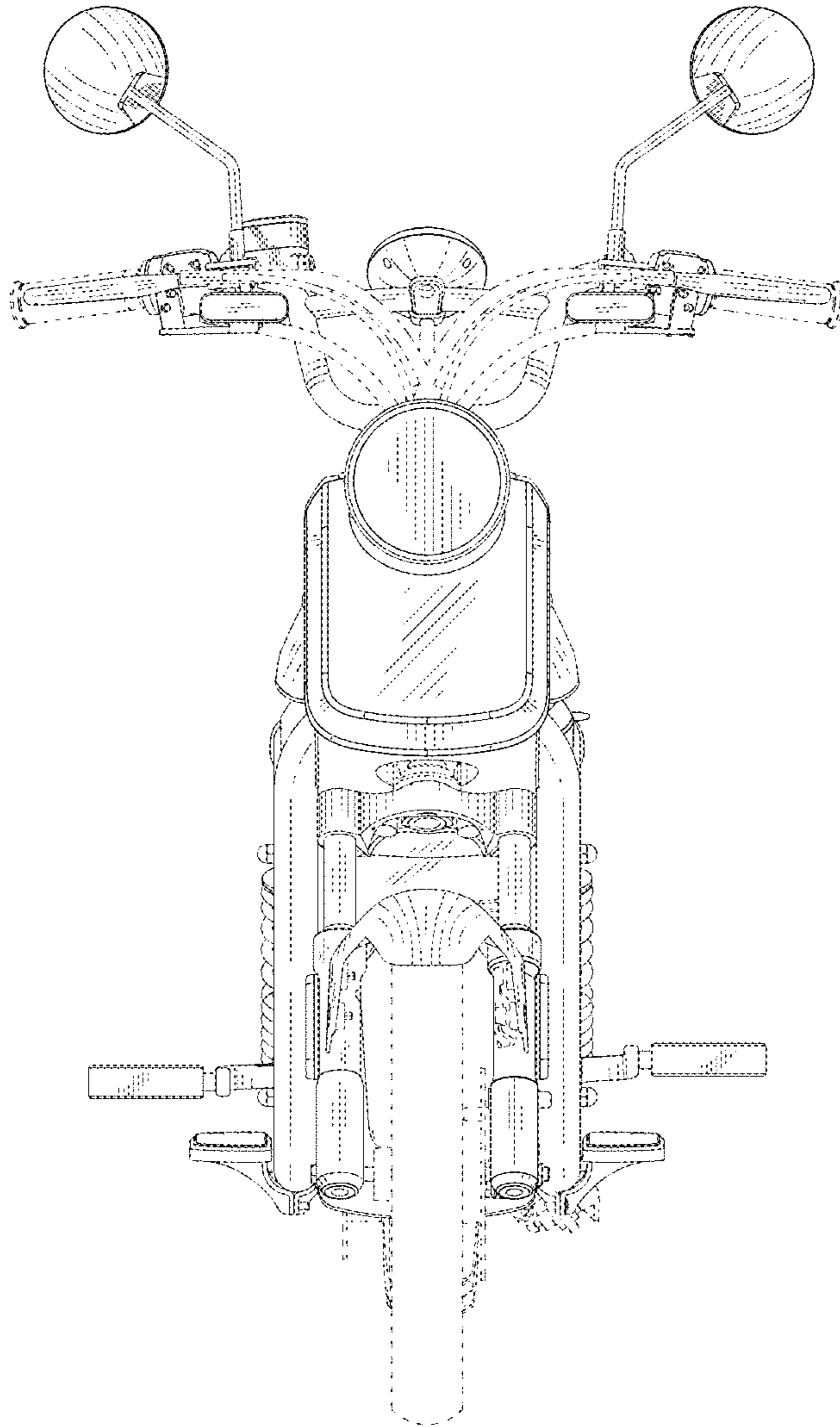


FIG.3

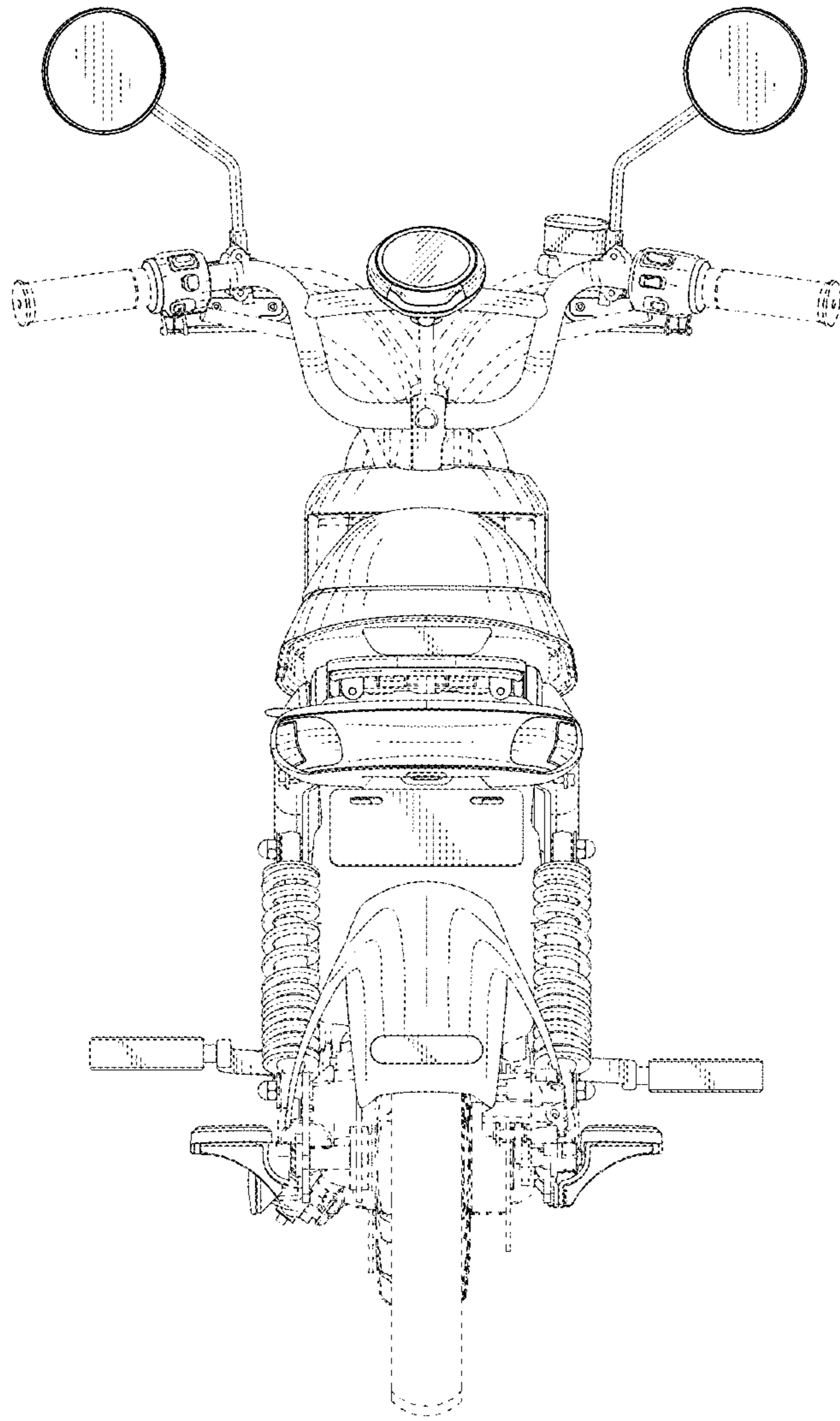


FIG.4

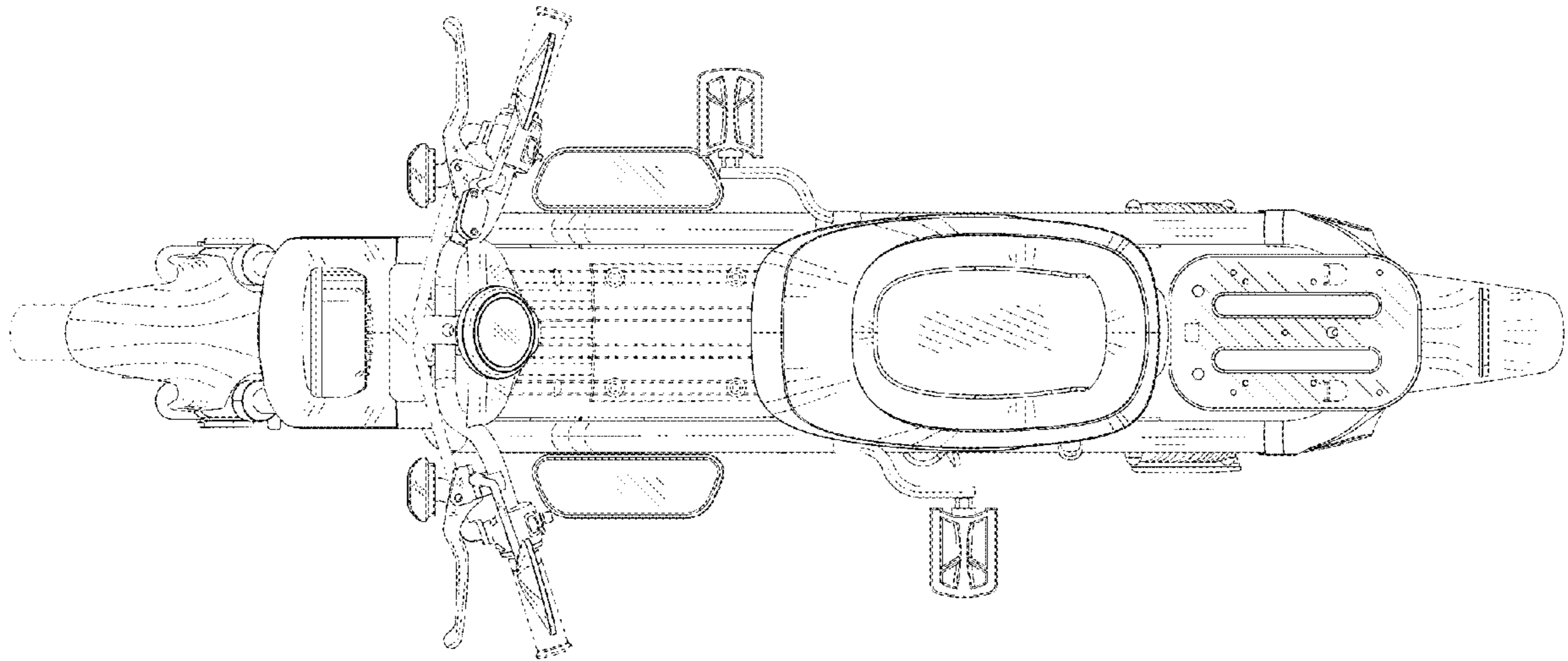


FIG.5

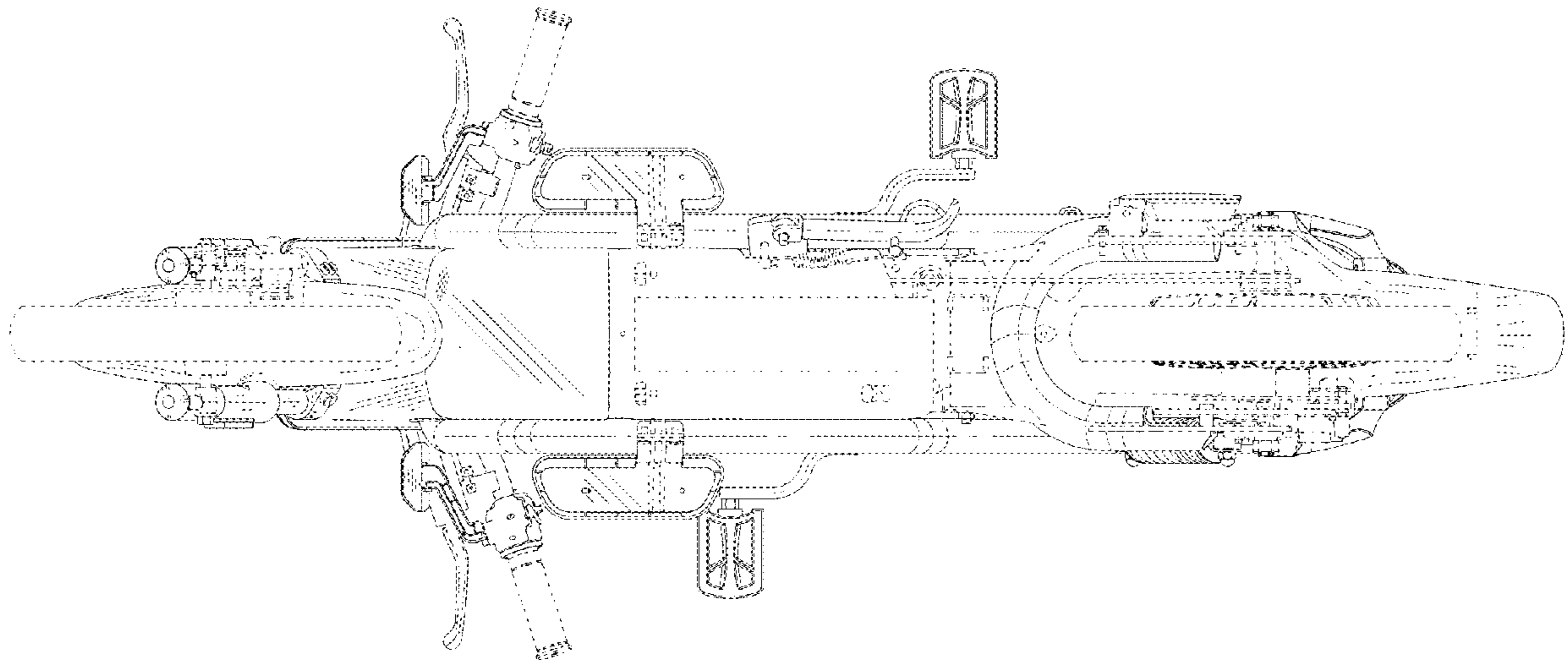


FIG.6

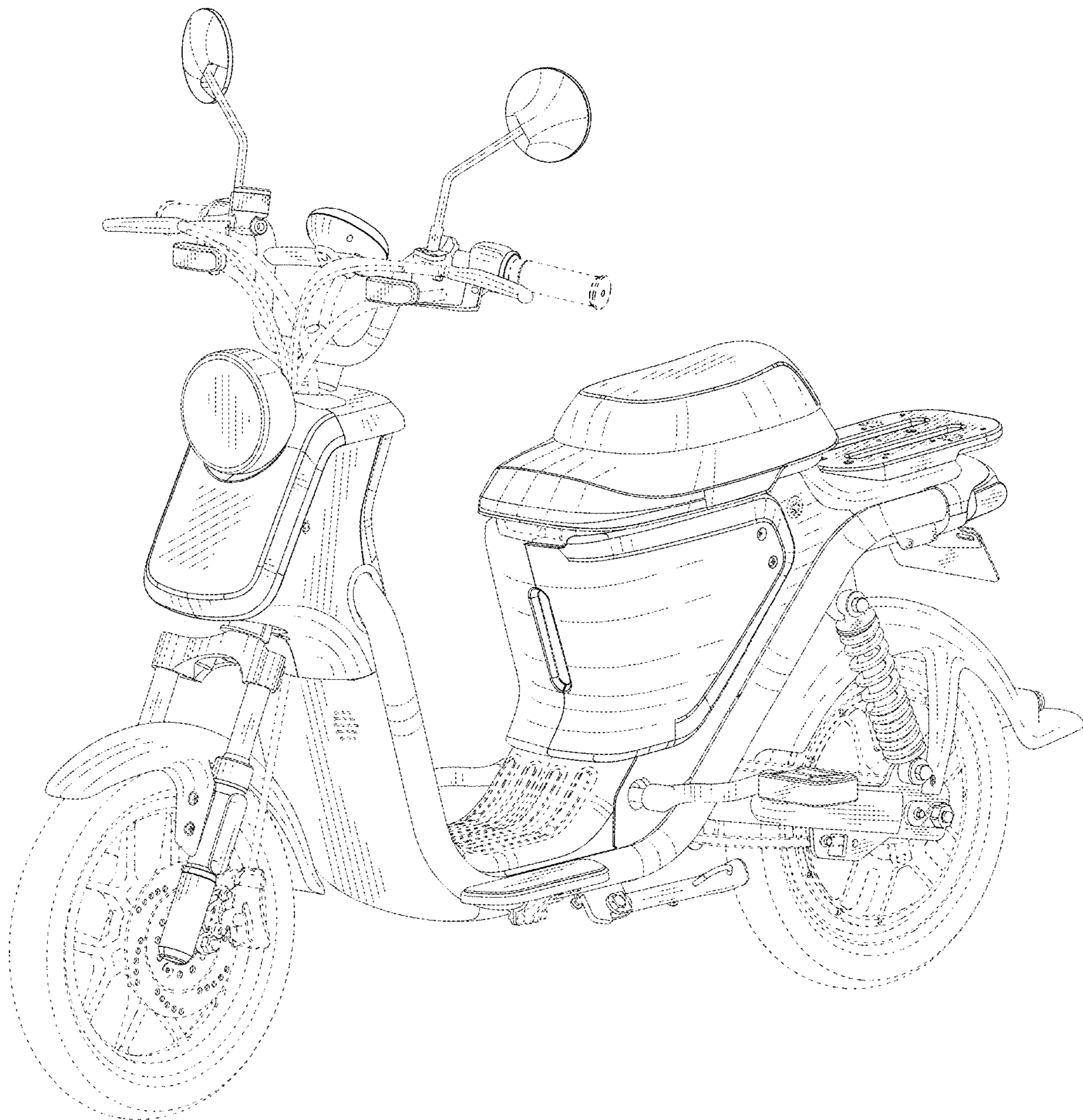


FIG. 7