



US00D932373S

(12) **United States Design Patent** (10) **Patent No.:** **US D932,373 S**  
**Cattabriga et al.** (45) **Date of Patent:** **\*\* Oct. 5, 2021**

(54) **DECORATIVE ORNAMENT WITH SURFACE ORNAMENTATION**

- (71) Applicant: **Ferrari S.p.A.**, Modena (IT)
- (72) Inventors: **Adalberto Cattabriga**, Modena (IT);  
**Matteo Biancalana**, Modena (IT);  
**Luca Zanetti**, Modena (IT)
- (73) Assignee: **FERRARI S.p.A.**, Modena (IT)
- (\*\*) Term: **15 Years**
- (21) Appl. No.: **29/771,644**
- (22) Filed: **Feb. 24, 2021**

**Related U.S. Application Data**

- (62) Division of application No. 35/508,023, filed on Mar. 14, 2019 (U.S. filing date under 35 U.S.C. 384), and (Continued)

(30) **Foreign Application Priority Data**

- Sep. 14, 2018 (EM) ..... 005641305
- (51) **LOC (13) Cl.** ..... **12-08**
- (52) **U.S. Cl.**  
USPC ..... **D12/86; D11/163**
- (58) **Field of Classification Search**  
USPC ..... D12/86, 88, 90-92, 184, 196; D21/424,  
D21/433, 434, 533, 548; D11/163  
(Continued)

(56) **References Cited**

**U.S. PATENT DOCUMENTS**

- D515,486 S \* 2/2006 Yokomaku ..... D12/190
- D534,847 S \* 1/2007 Yokomaku ..... D12/190  
(Continued)

**OTHER PUBLICATIONS**

Gordon, A., 20 paint jobs on sports cars that have us scratching our heads, Hotcars.com, Oct. 2018, retrieved Jun. 4, 2021 from <URL:https://www.hotcars.com/20-paint-jobs-on-sports-cars-that-have-us-scratching-our-heads/> (Year: 2018).\*

*Primary Examiner* — Sheryl Lane

*Assistant Examiner* — Calvin E Vansant

(74) *Attorney, Agent, or Firm* — Cowan, Liebowitz & Latman, P.C.; Anastasia Zhadina

(57) **CLAIM**

The ornamental design for a decorative ornament with surface ornamentation, as shown and described.

**DESCRIPTION**

The patent or application file contains at least one drawing executed in color. Copies of this patent or patent application publication with color drawing(s) will be provided by the Office upon request and payment of the necessary fee.

FIG. 1 is a front perspective view of a first embodiment of the decorative ornament with surface ornamentation showing my design;

FIG. 2 is a rear perspective view thereof;

FIG. 3 is a front view thereof;

FIG. 4 is a rear view thereof;

FIG. 5 is a right-side view thereof;

FIG. 6 is a top plan view thereof;

FIG. 7 is a bottom view thereof;

FIG. 8 is a front perspective view of a second embodiment of the decorative ornament with surface ornamentation showing my design;

FIG. 9 is a rear perspective view thereof;

FIG. 10 is a front view thereof;

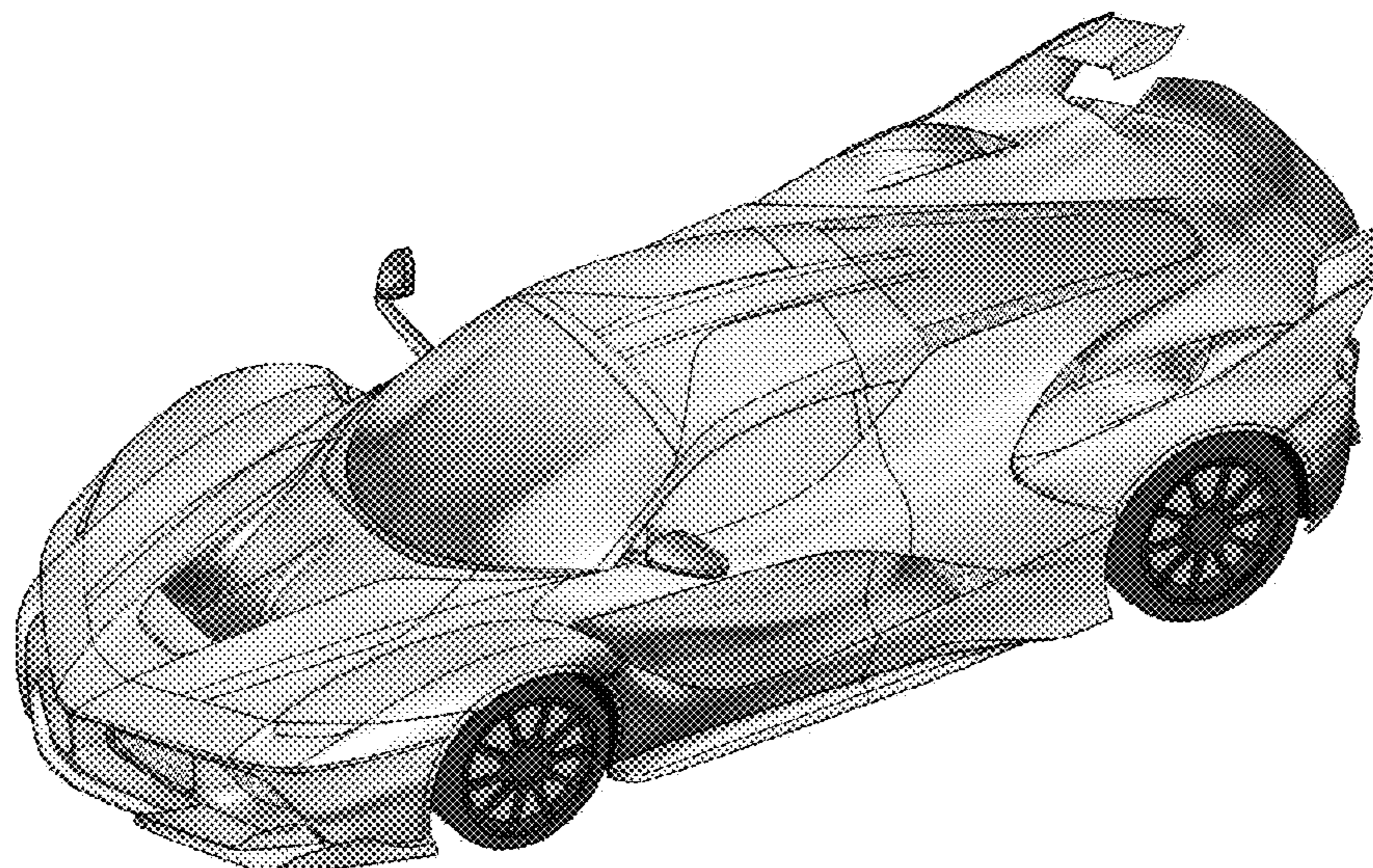
FIG. 11 is a rear view thereof;

FIG. 12 is a right-side view thereof;

FIG. 13 is a top plan view thereof; and,

FIG. 14 is a bottom view thereof.

**1 Claim, 14 Drawing Sheets**  
**(7 of 14 Drawing Sheet(s) Filed in Color)**



**Related U.S. Application Data**

having an international filing date of Mar. 14, 2019,  
now Pat. No. Des. 921,529.

(58) **Field of Classification Search**

CPC ..... B62D 25/00; B62D 25/02; B62D 25/06;  
B62D 35/00; B62D 35/005; B60J 5/04  
See application file for complete search history.

(56) **References Cited**

U.S. PATENT DOCUMENTS

D617,683	S	*	6/2010	Beneggi	.....	D12/92
D710,259	S	*	8/2014	Baccino	.....	D12/92
D718,667	S	*	12/2014	Manzoni	.....	D12/92
D753,548	S	*	4/2016	Gilles	.....	D12/88
D753,549	S	*	4/2016	Manzoni	.....	D12/88
D780,063	S	*	2/2017	Stephenson	.....	D12/88
D813,095	S	*	3/2018	Manzoni	.....	D12/88
D821,267	S	*	6/2018	Borkert	.....	D12/92
D823,724	S	*	7/2018	Melville	.....	D12/92
D826,092	S	*	8/2018	Manzoni	.....	D12/92
D826,784	S	*	8/2018	Hauser	.....	D12/92
D833,912	S	*	11/2018	Manzoni	.....	D12/88
D834,998	S	*	12/2018	Manzoni	.....	D12/88
D842,787	S	*	3/2019	Manzoni	.....	D12/196
D868,647	S	*	12/2019	Buck	.....	D12/169
D873,178	S	*	1/2020	Howse	.....	D12/92
D881,075	S	*	4/2020	Larson	.....	D12/92
2019/0009842	A1	*	1/2019	Biancalana	.....	B62D 35/007

\* cited by examiner

FIG. 1

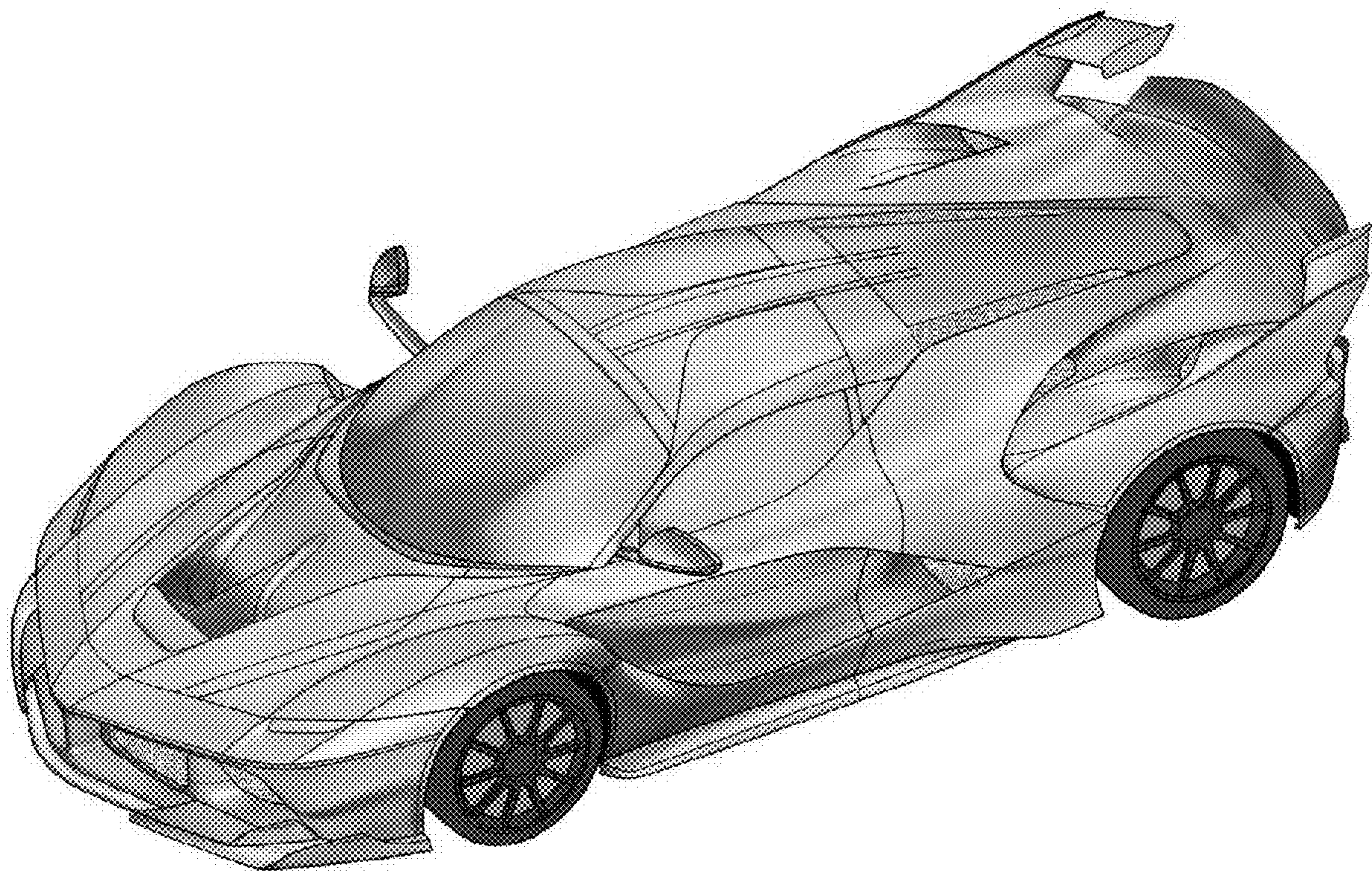


FIG. 2

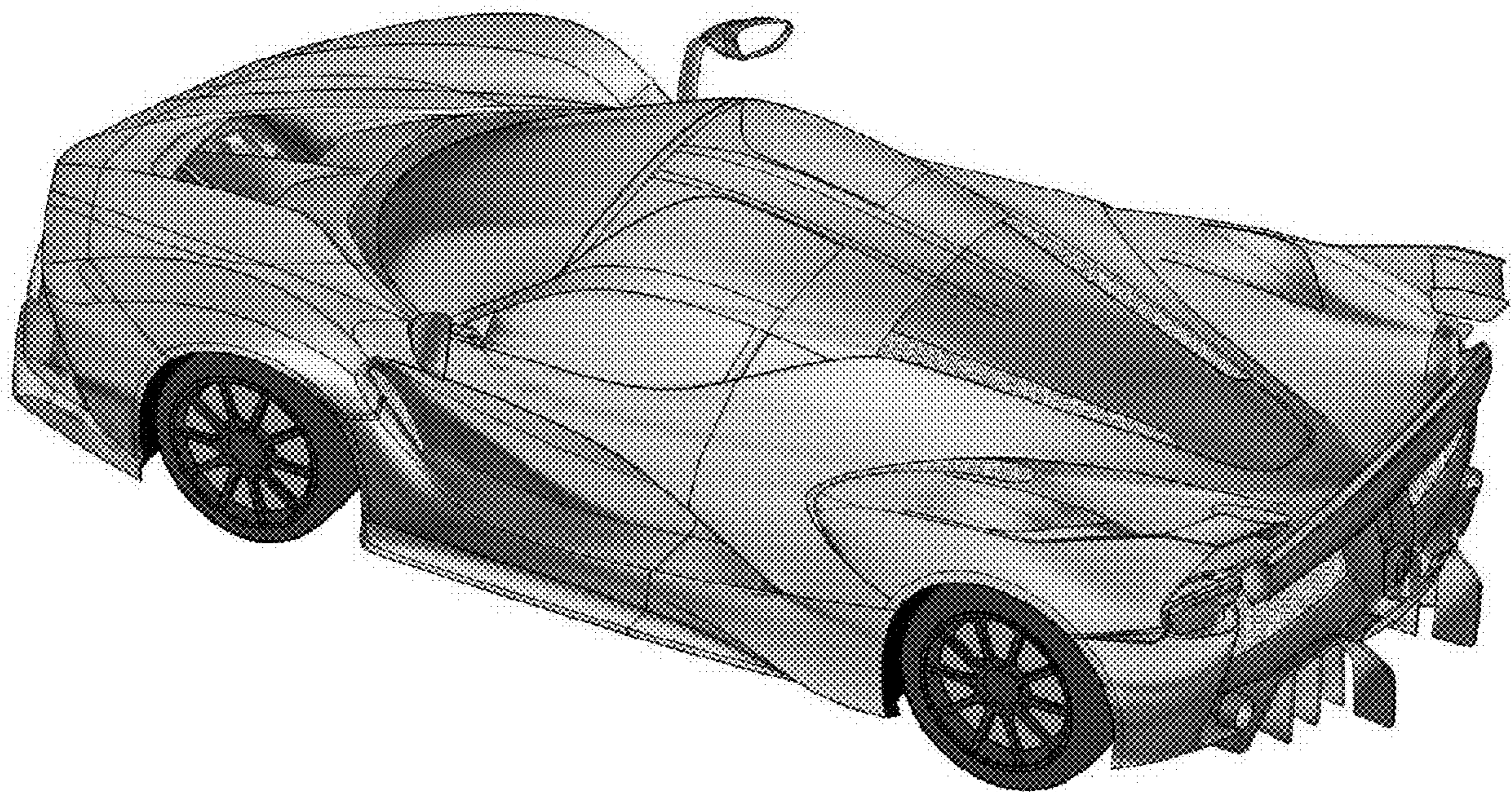


FIG. 3

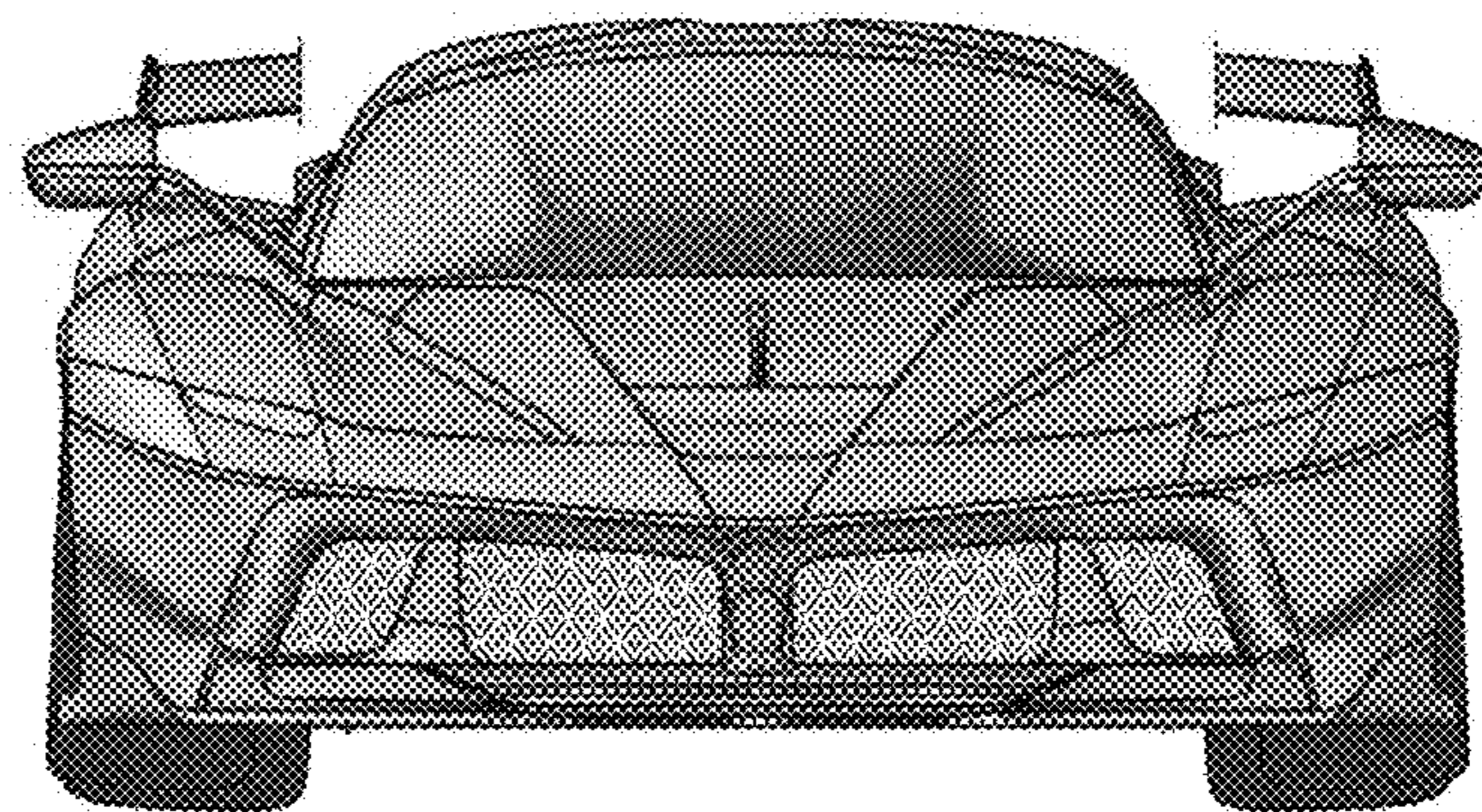


FIG. 4

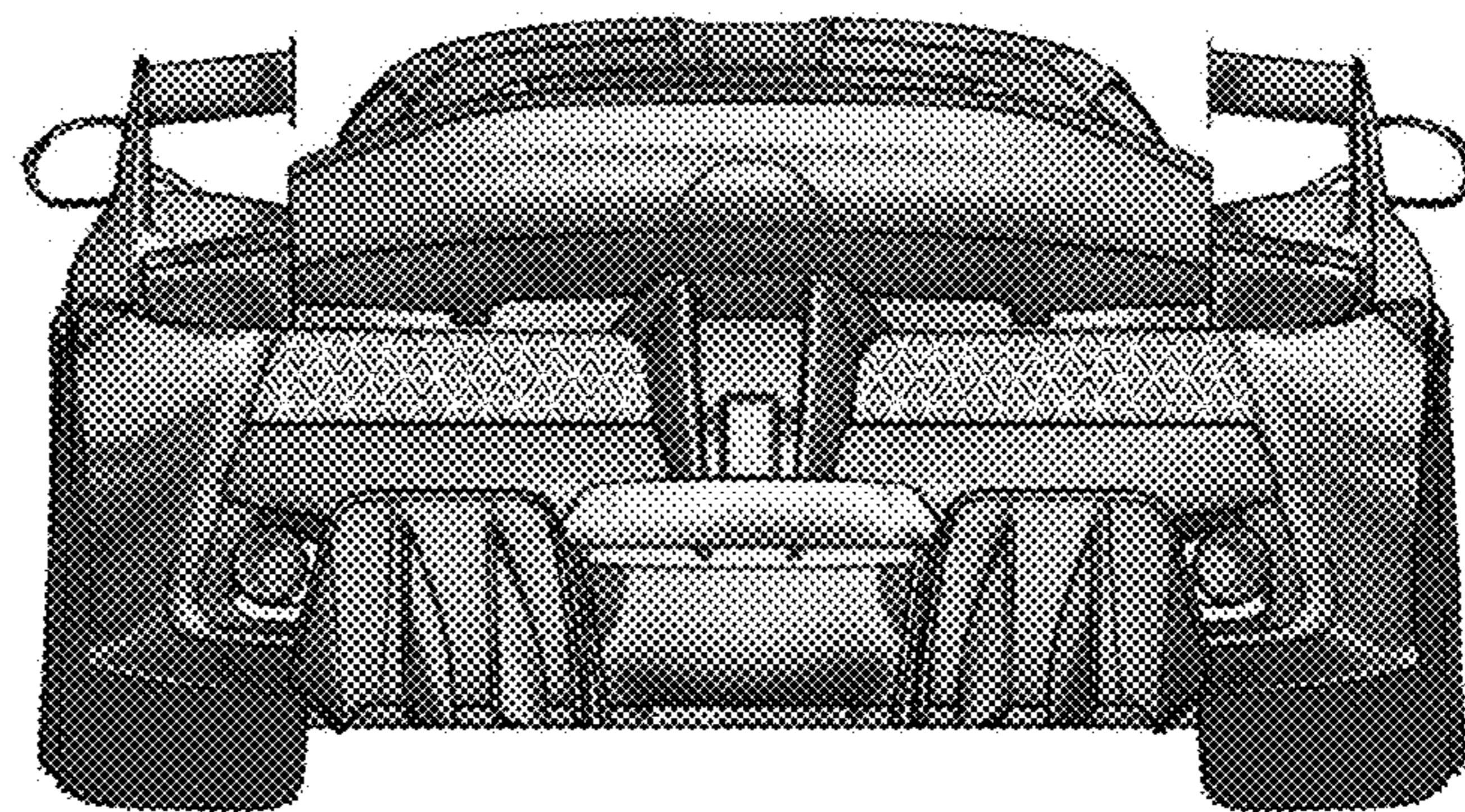


FIG. 5

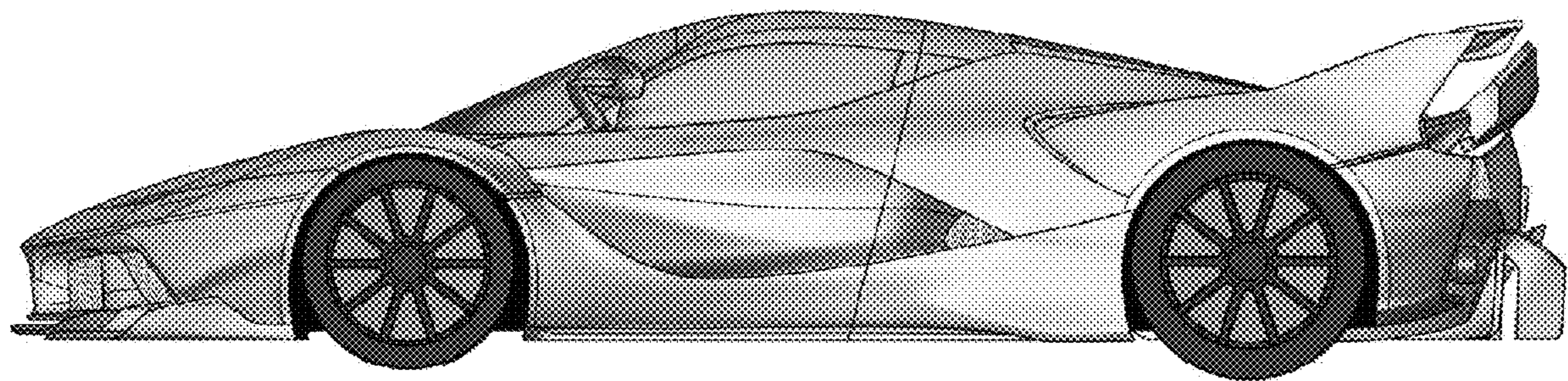


FIG. 6

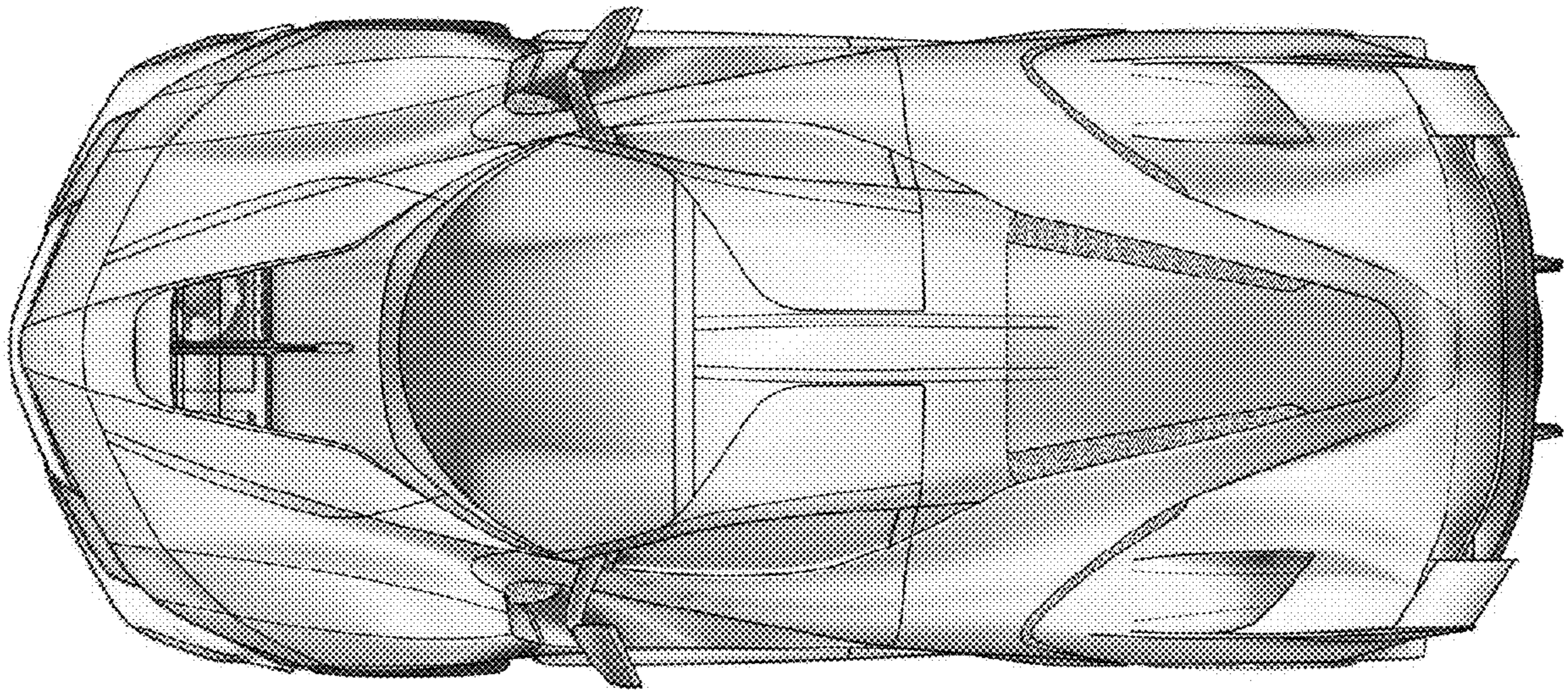




FIG. 7

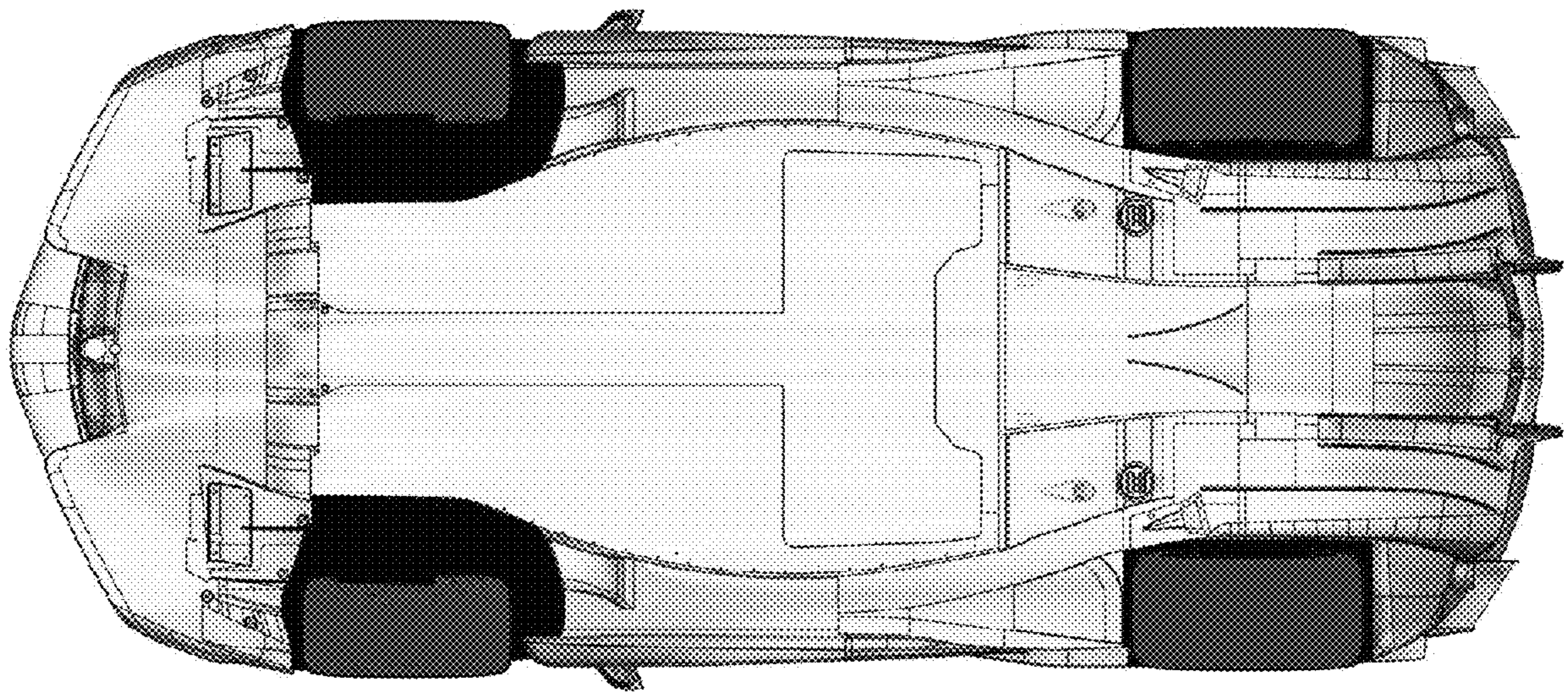


FIG. 8

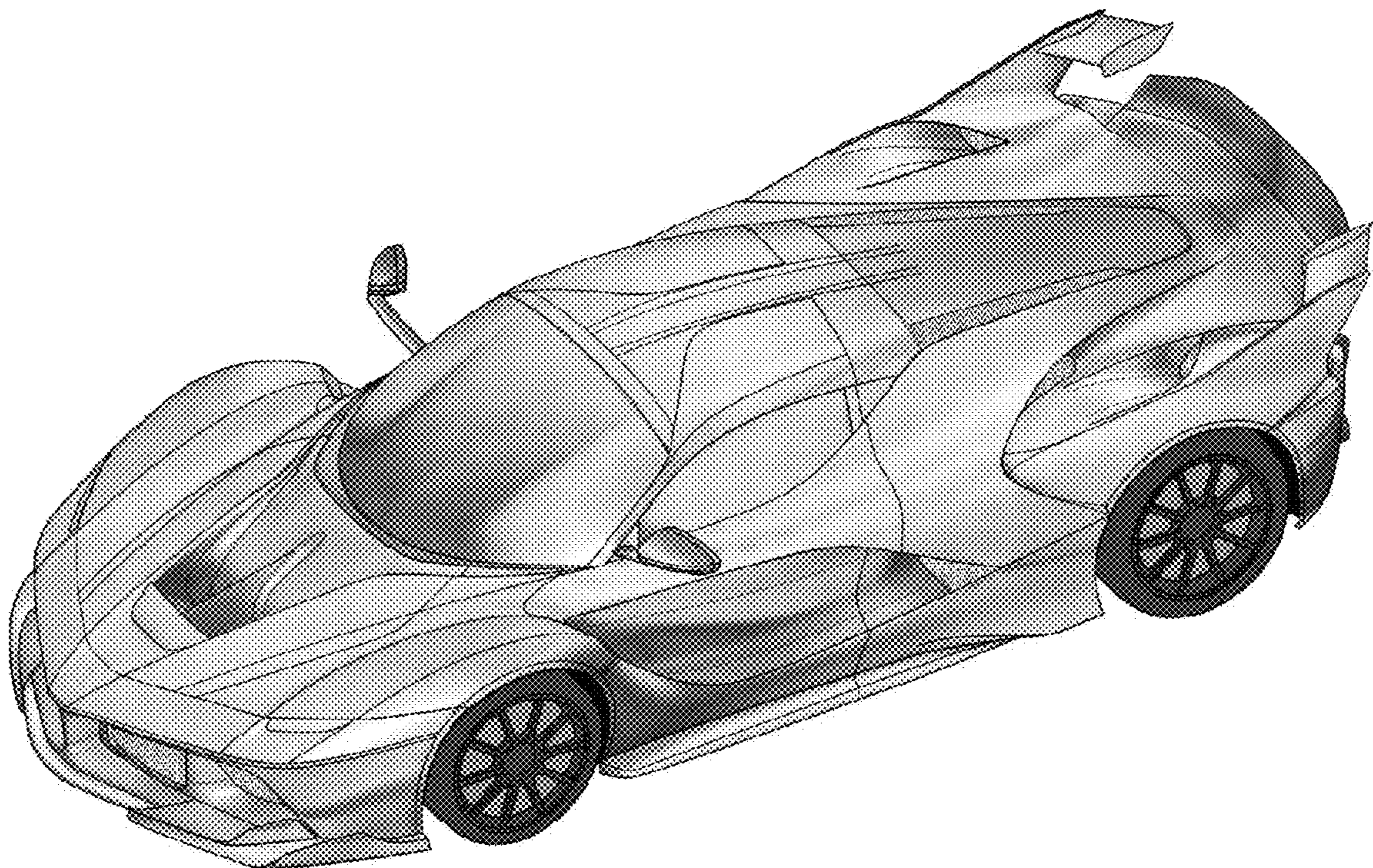


FIG. 9

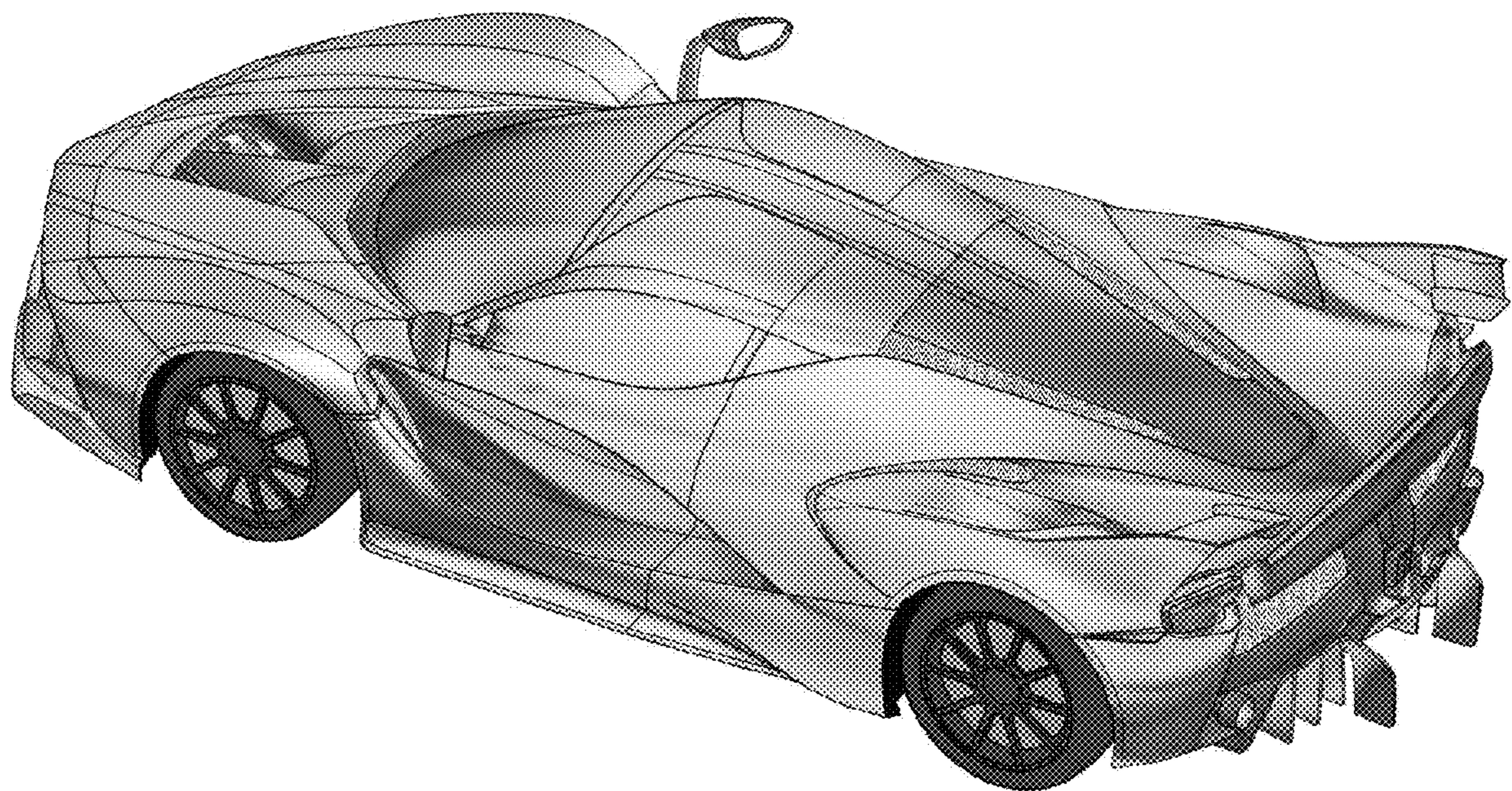


FIG. 10

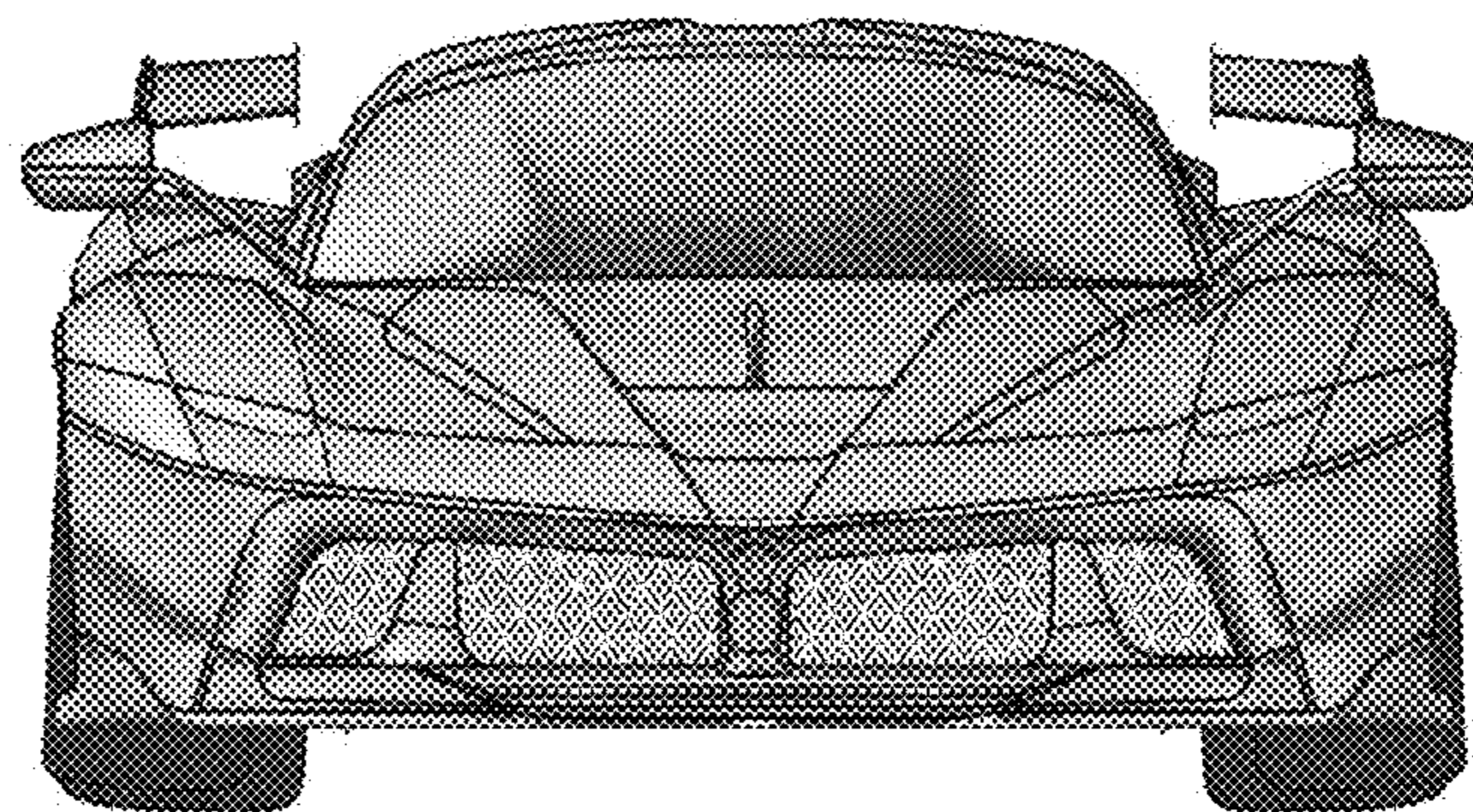


FIG. 11

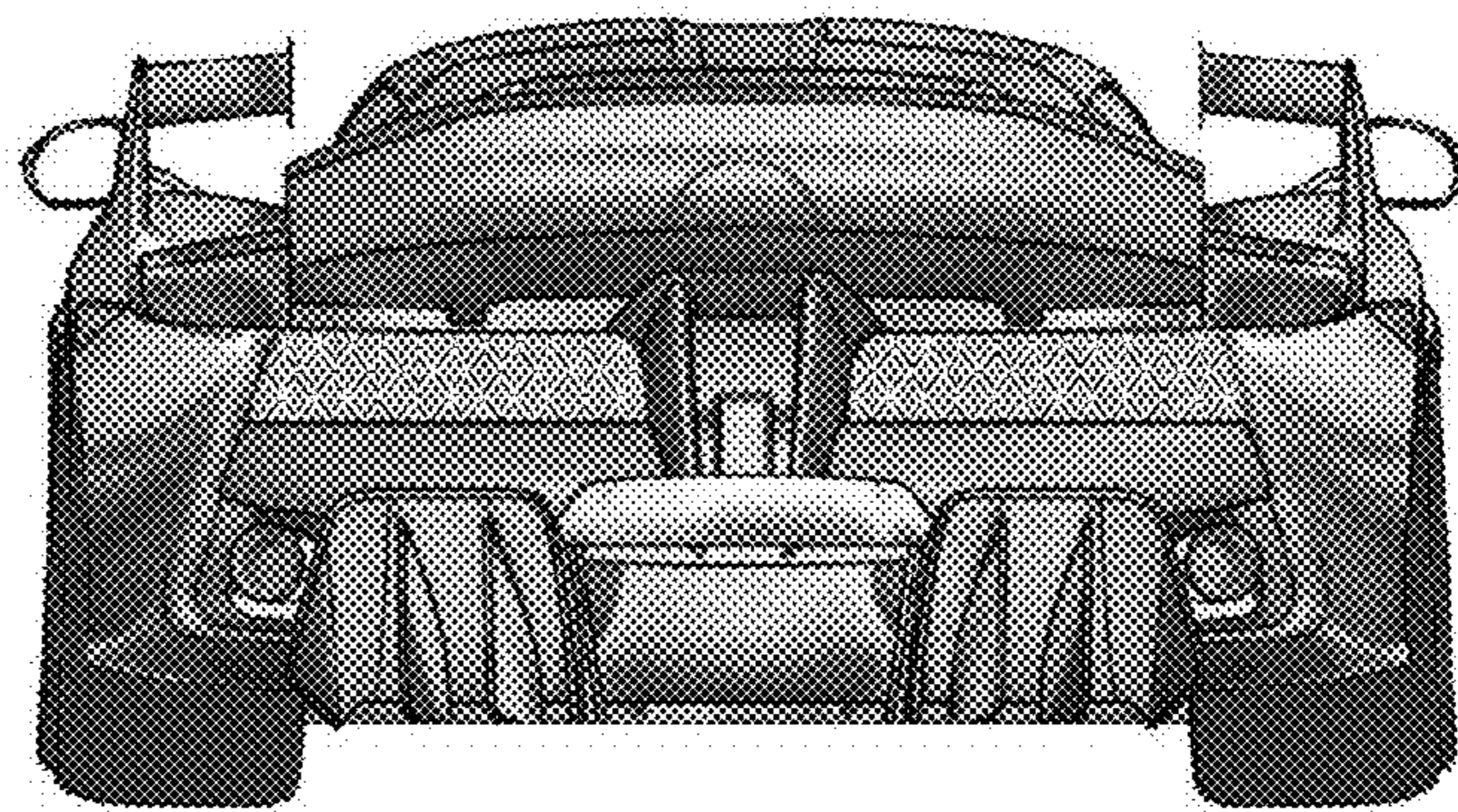


FIG. 12

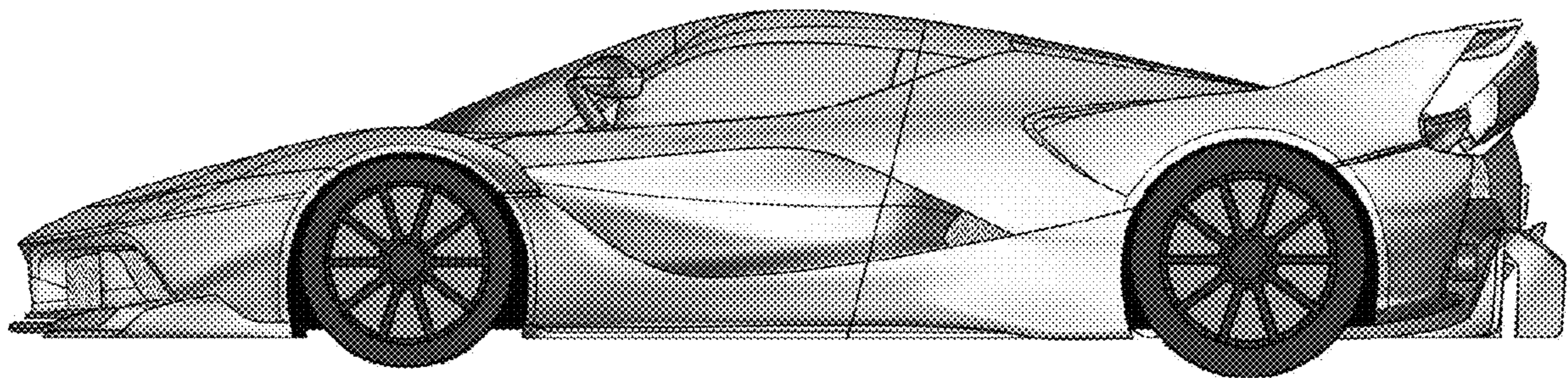


FIG. 13

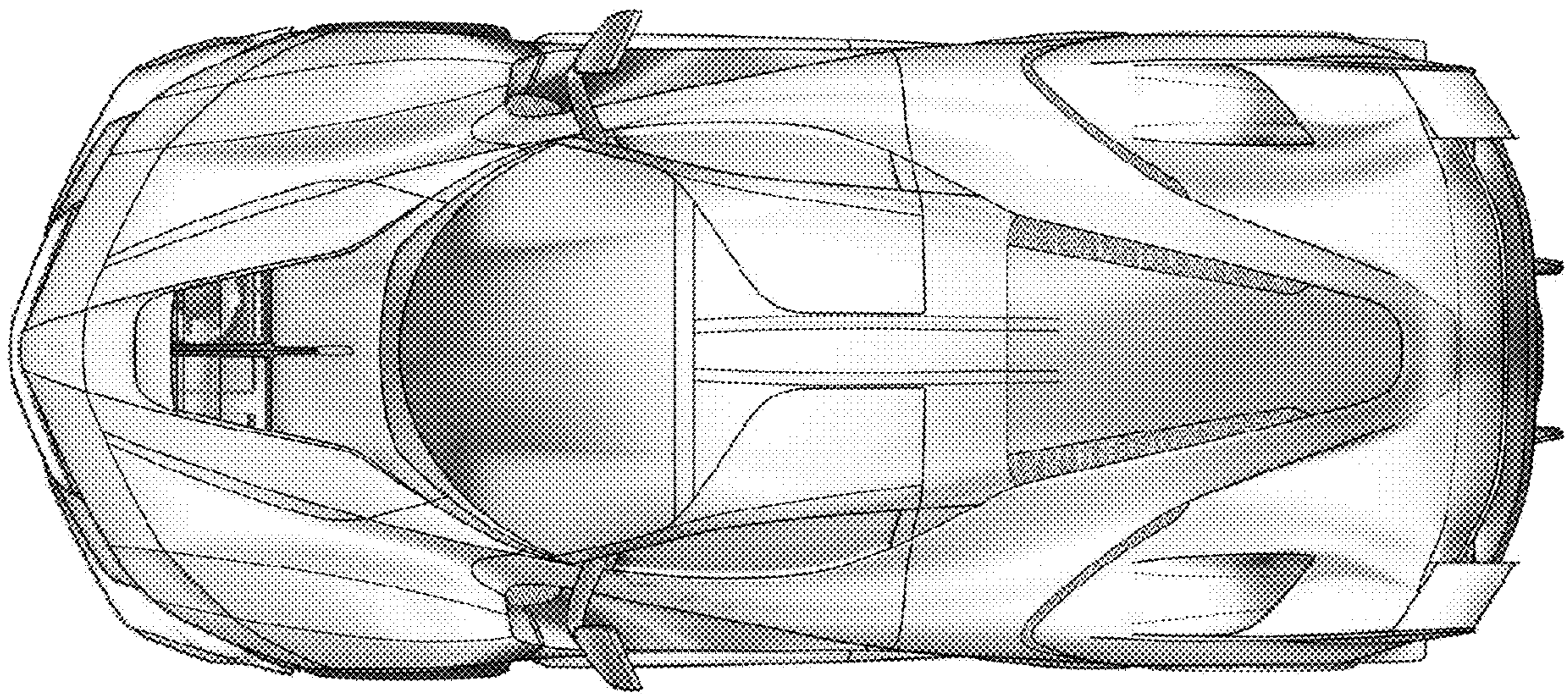


FIG. 14

