

US00D932372S

(12) **United States Design Patent** (10) **Patent No.:** **US D932,372 S**
Cattabriga et al. (45) **Date of Patent:** **** Oct. 5, 2021**

(54) **CAR WITH SURFACE ORNAMENTATION**

D710,259 S * 8/2014 Baccino D12/92
D718,667 S * 12/2014 Manzoni D12/92
D753,548 S * 4/2016 Gilles D12/88

(71) Applicant: **Ferrari S.p.A.**, Modena (IT)

(Continued)

(72) Inventors: **Adalberto Cattabriga**, Modena (IT);
Matteo Biancalana, Modena (IT);
Luca Zanetti, Modena (IT)

(73) Assignee: **FERRARI S.p.A.**, Modena (IT)

(**) Term: **15 Years**

(21) Appl. No.: **29/759,456**

(22) Filed: **Nov. 23, 2020**

Related U.S. Application Data

(62) Division of application No. 35/507,535, filed on Mar. 14, 2019 (U.S. filing date under 35 U.S.C. 384), and having an international filing date of Mar. 14, 2019, now Pat. No. Des. 915,239.

(30) **Foreign Application Priority Data**

Sep. 14, 2018 (EM) 005641040

(51) **LOC (13) Cl.** **12-08**

(52) **U.S. Cl.**
USPC **D12/86**

(58) **Field of Classification Search**
USPC D12/86, 88, 90-92, 184, 196; D21/424,
D21/433, 434, 533, 548
CPC B62D 25/00; B62D 25/02; B62D 25/06;
B62D 35/00; B62D 35/005; B60J 5/04
See application file for complete search history.

(56) **References Cited**

U.S. PATENT DOCUMENTS

D515,486 S * 2/2006 Yokomaku D12/190
D534,847 S * 1/2007 Yokomaku D12/190
D617,683 S * 6/2010 Beneggi D12/92

OTHER PUBLICATIONS

DeGroot, S., Aerodynamics in racing, FITechnical, online technical article, retrieved Jun. 4, 2021 from <URL:https://www.fltechnical.net/articles/10> (Year: 2009).*

Primary Examiner — Sheryl Lane

Assistant Examiner — Calvin E Vansant

(74) *Attorney, Agent, or Firm* — Cowan, Liebowitz & Latman, P.C.; Anastasia Zhadina

(57) **CLAIM**

The ornamental design for a car with surface ornamentation, as shown and described.

DESCRIPTION

The patent or application file contains at least one drawing executed in color. Copies of this patent or patent application publication with color drawing(s) will be provided by the Office upon request and payment of the necessary fee.

FIG. 1 is a front perspective view of a first embodiment of the car with surface ornamentation showing my design;

FIG. 2 is a front view thereof;

FIG. 3 is a rear view thereof;

FIG. 4 is a right-side view thereof;

FIG. 5 is a top plan view thereof;

FIG. 6 is a bottom view thereof;

FIG. 7 is a front perspective view of a second embodiment of the car with surface ornamentation showing my design;

FIG. 8 is a front view thereof;

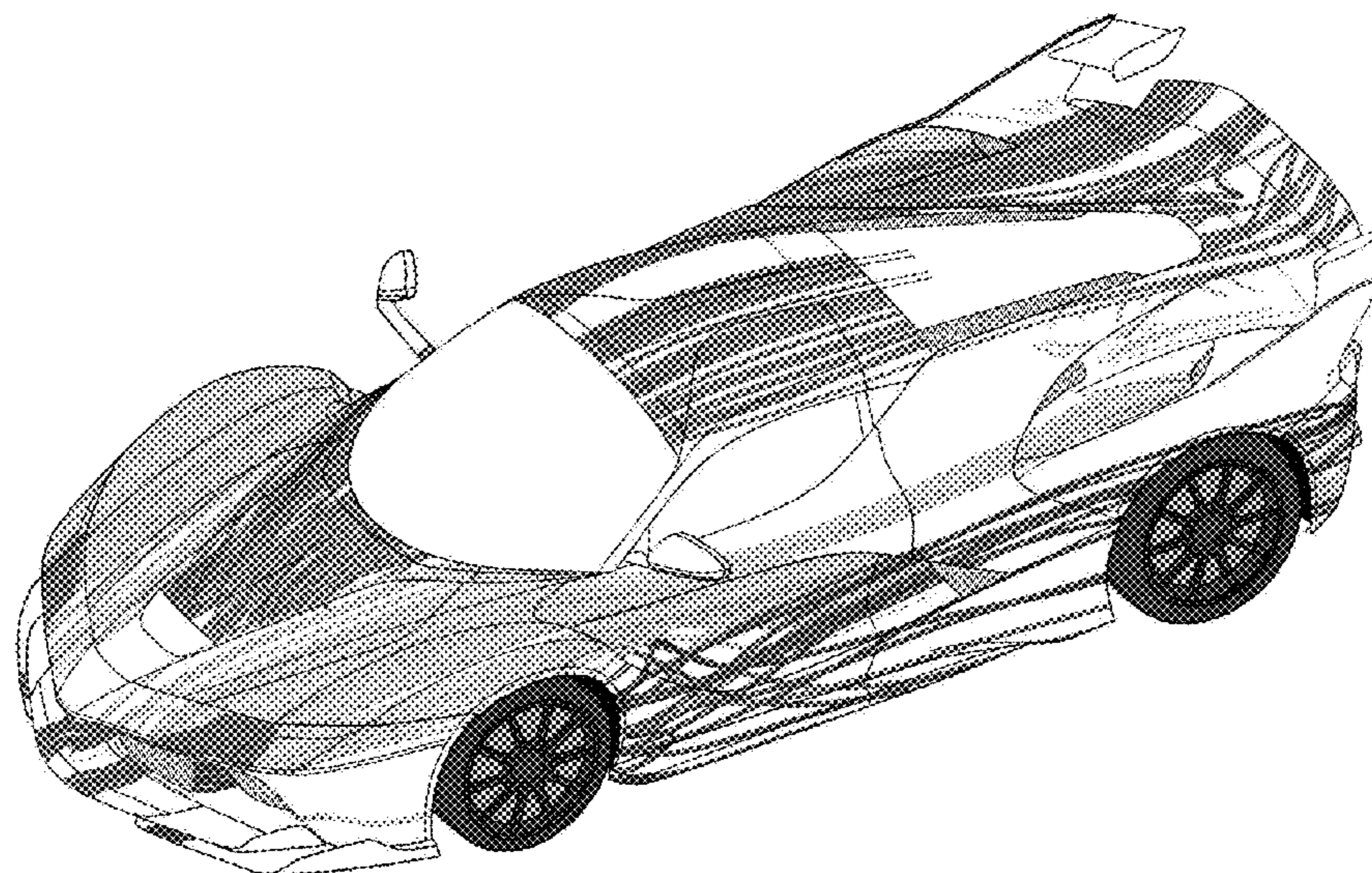
FIG. 9 is a rear view thereof;

FIG. 10 is a right-side view thereof;

FIG. 11 is a top plan view thereof; and,

FIG. 12 is a bottom view thereof.

1 Claim, 12 Drawing Sheets
(6 of 12 Drawing Sheet(s) Filed in Color)



(56)

References Cited

U.S. PATENT DOCUMENTS

D753,549	S	*	4/2016	Manzoni	D12/88
D780,063	S	*	2/2017	Stephenson	D12/88
D813,095	S	*	3/2018	Manzoni	D12/88
D821,267	S	*	6/2018	Borkert	D12/92
D823,724	S	*	7/2018	Melville	D12/92
D826,092	S	*	8/2018	Manzoni	D12/92
D826,784	S	*	8/2018	Hauser	D12/92
D833,912	S	*	11/2018	Manzoni	D12/88
D834,998	S	*	12/2018	Manzoni	D12/88
D842,787	S	*	3/2019	Manzoni	D12/196
D868,647	S	*	12/2019	Buck	D12/169
D873,178	S	*	1/2020	Howse	D12/92
D881,075	S	*	4/2020	Larson	D12/92
2019/0009842	A1	*	1/2019	Biancalana	B62D 35/007

* cited by examiner

FIG. 1

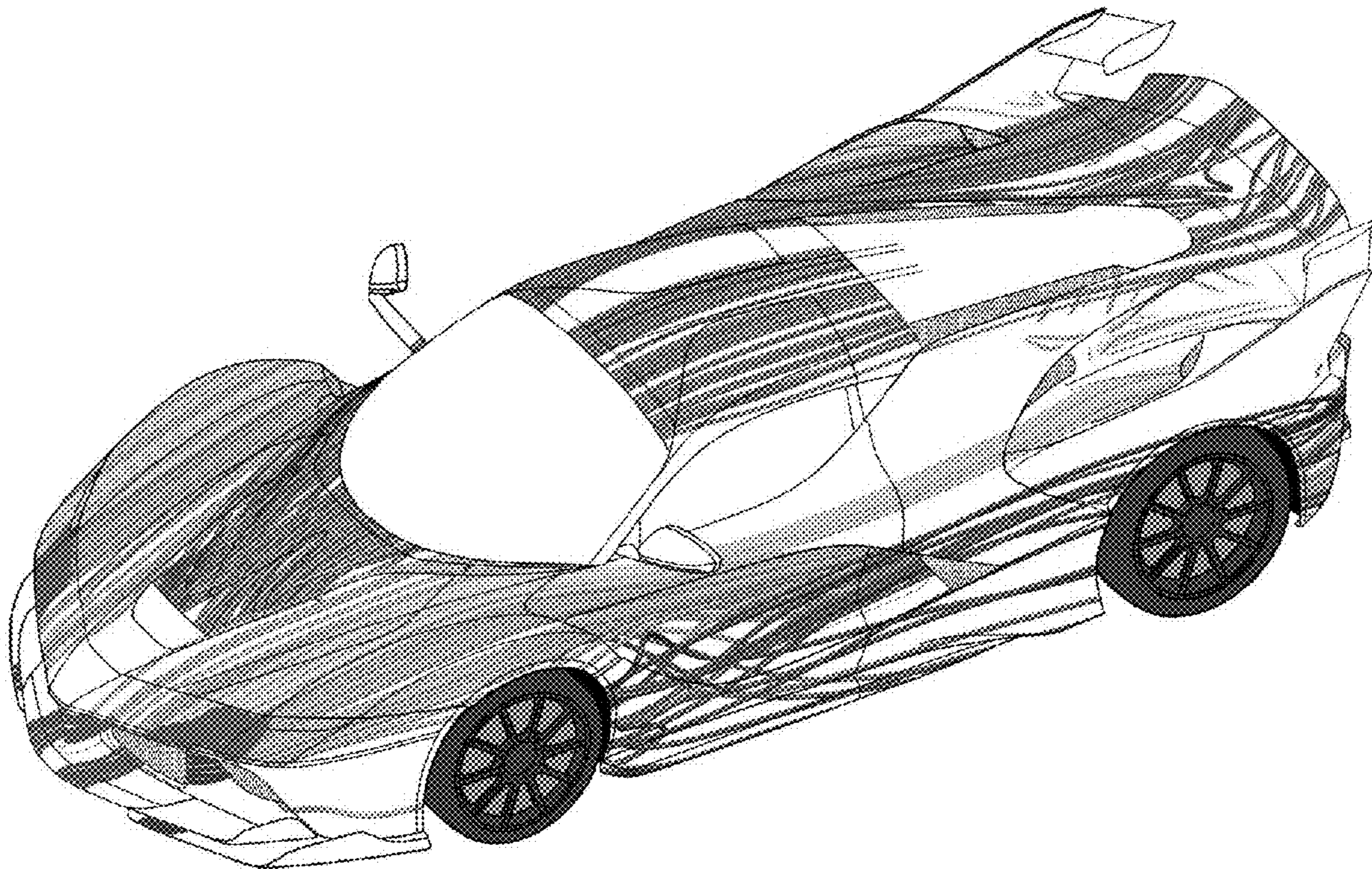


FIG. 2

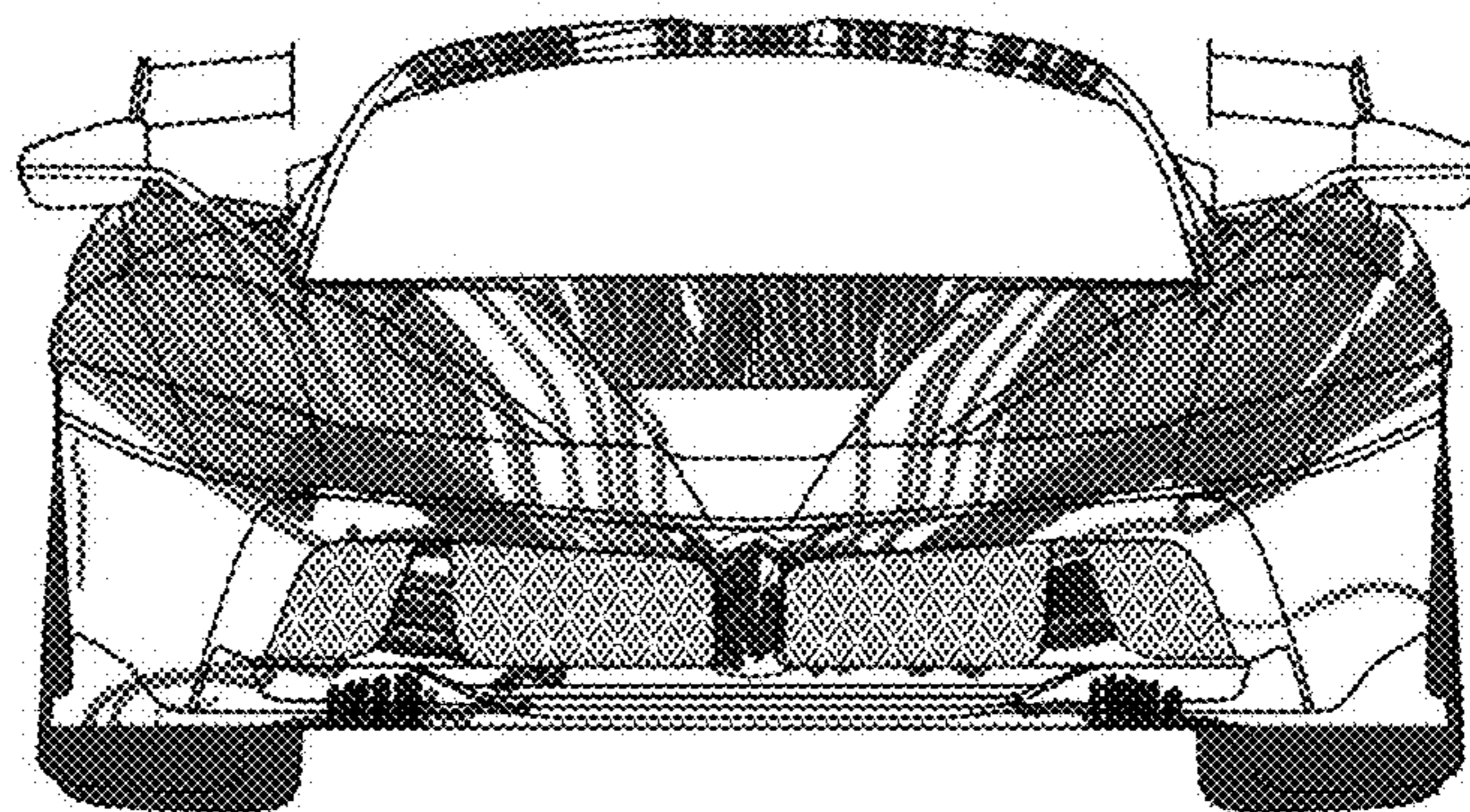


FIG. 3

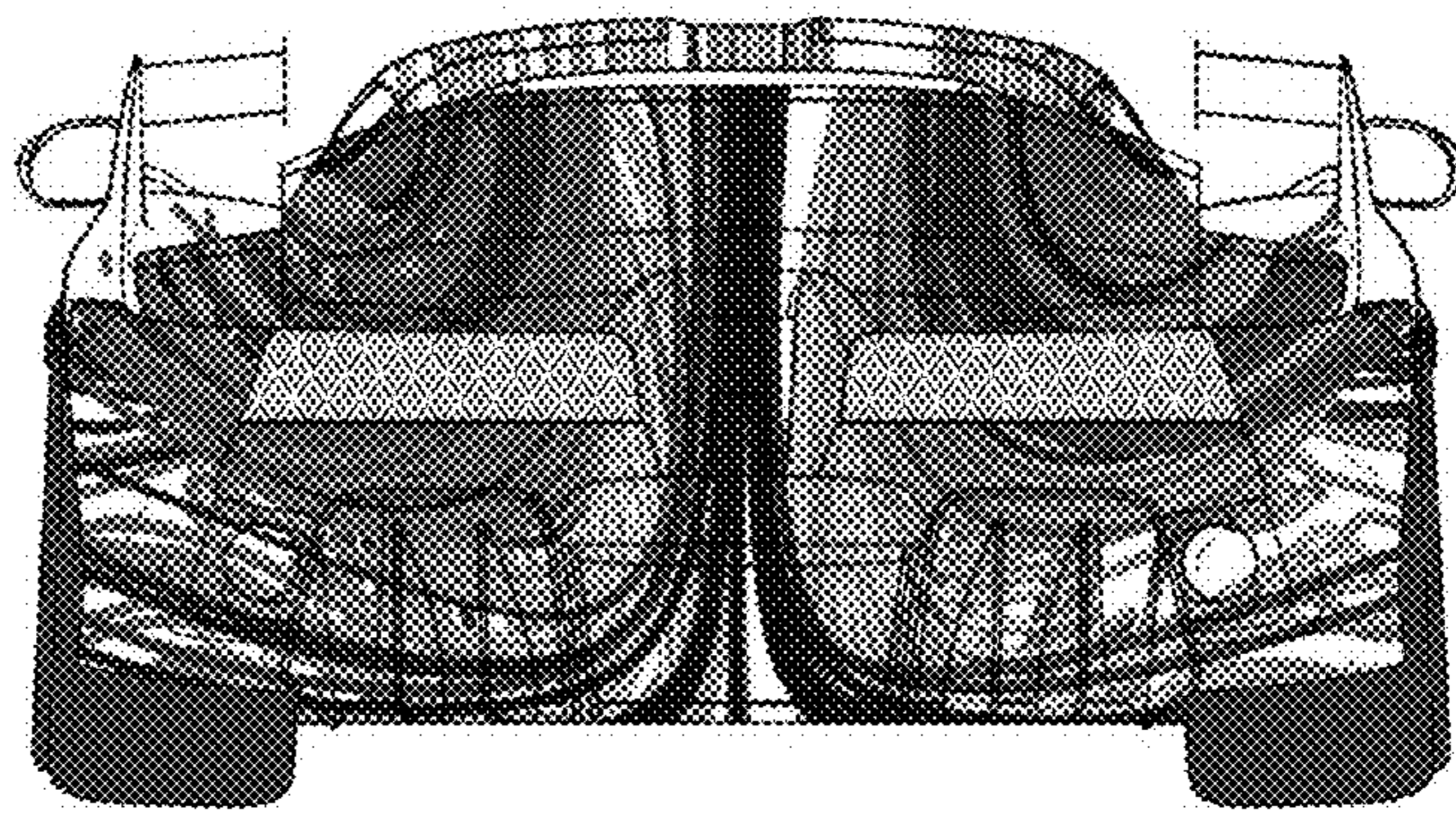


FIG. 4

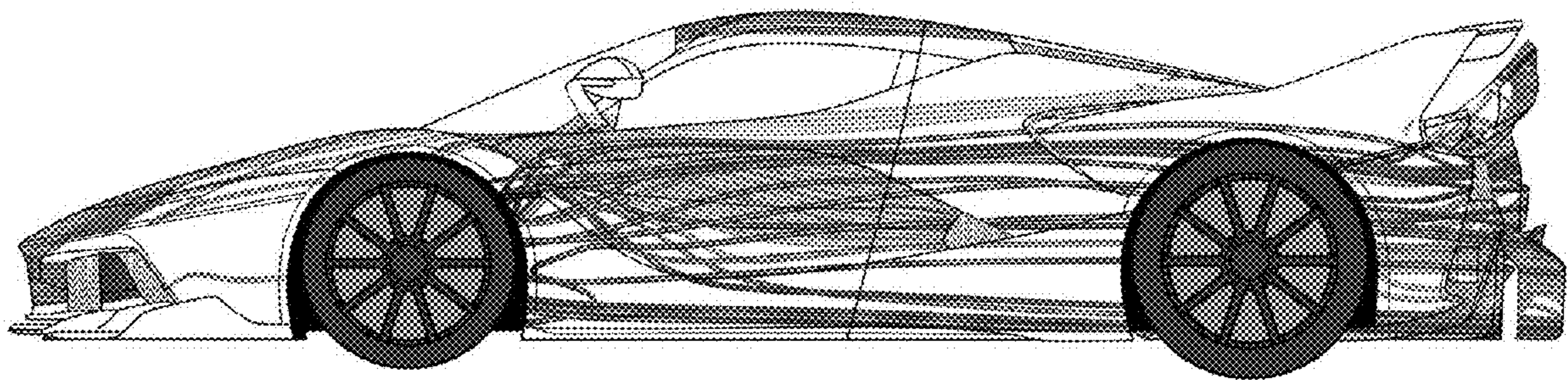


FIG. 5

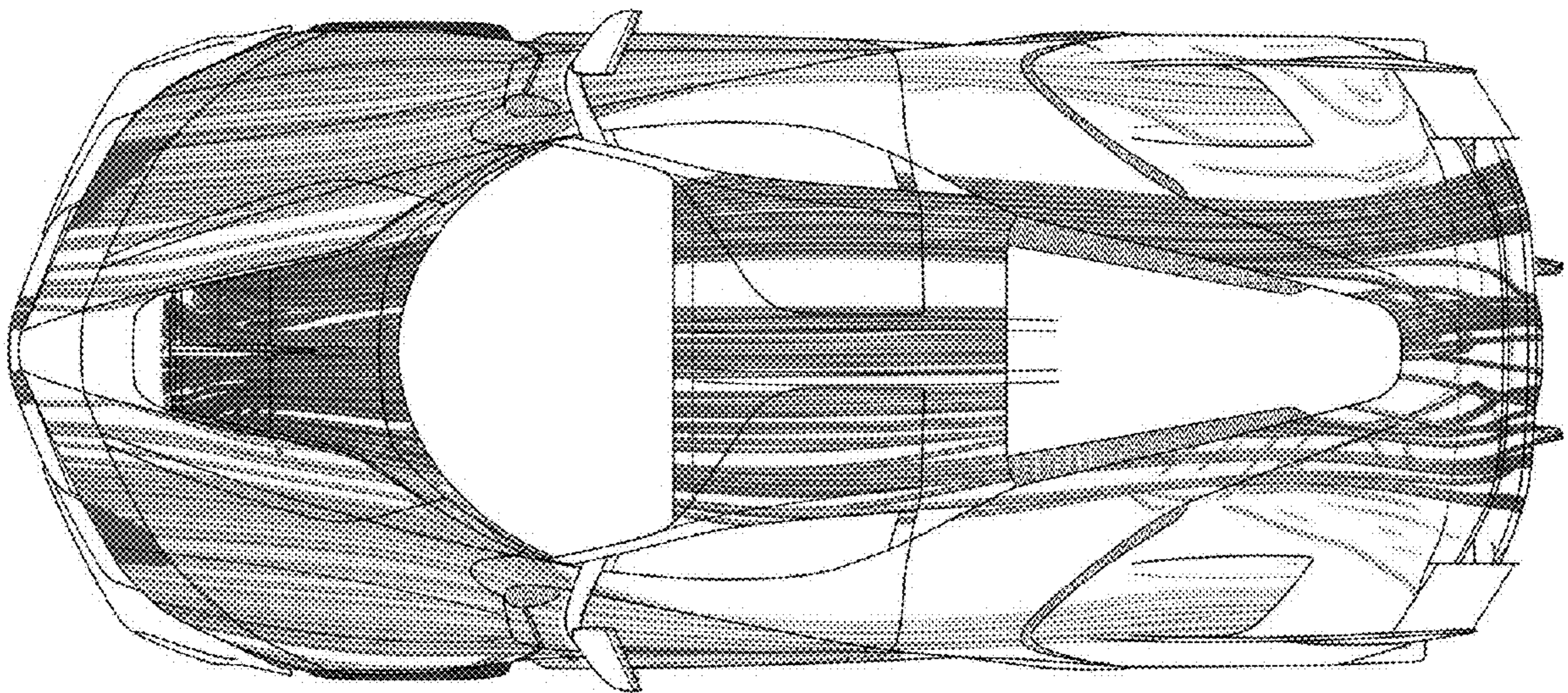


FIG. 6

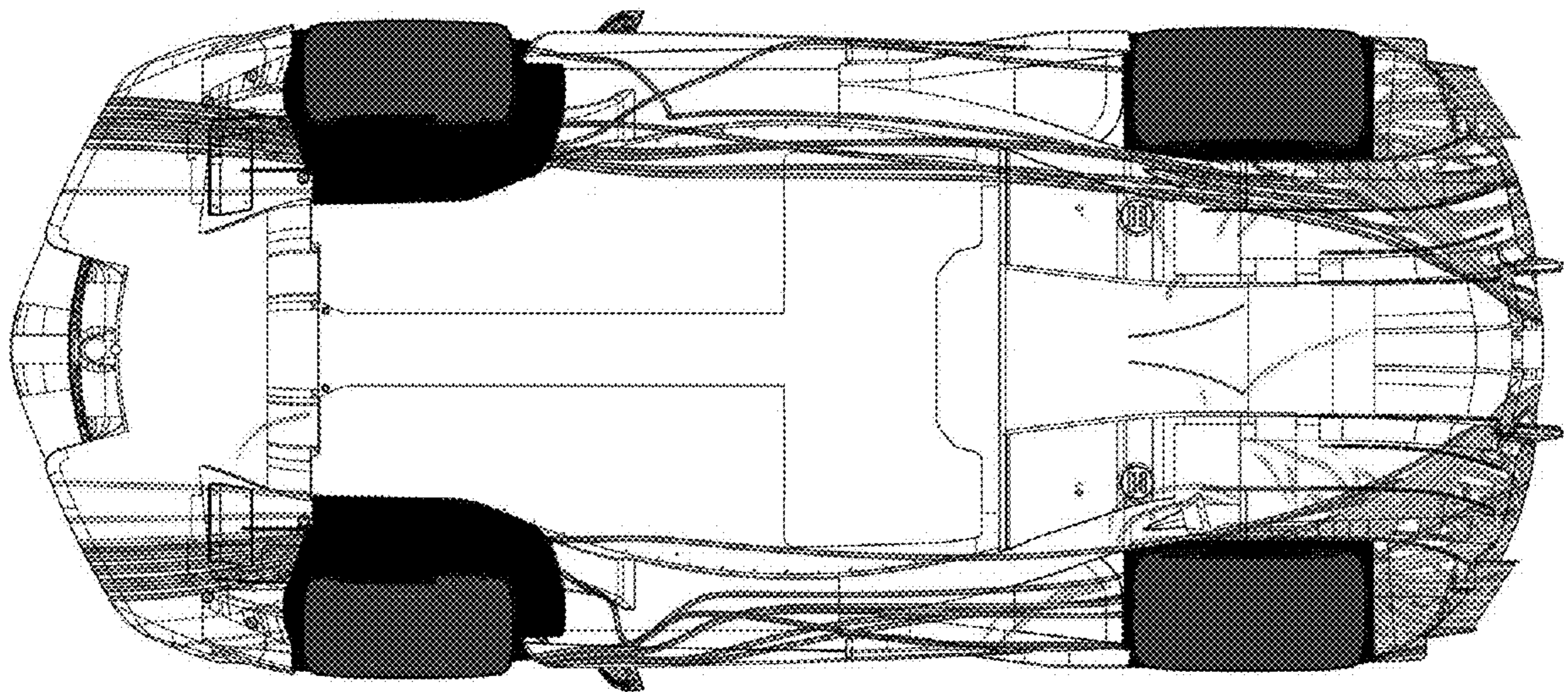


FIG. 7

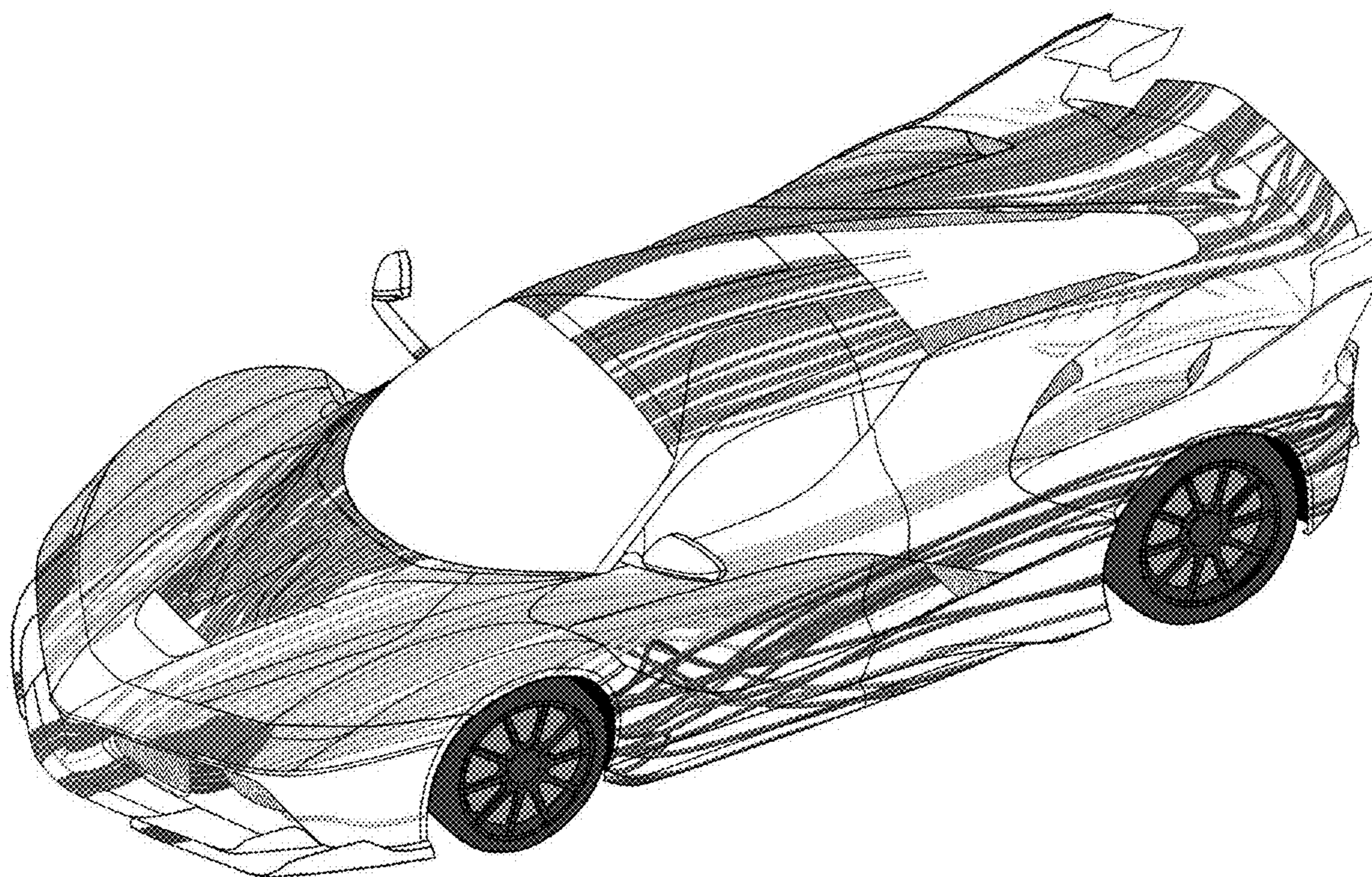


FIG. 8

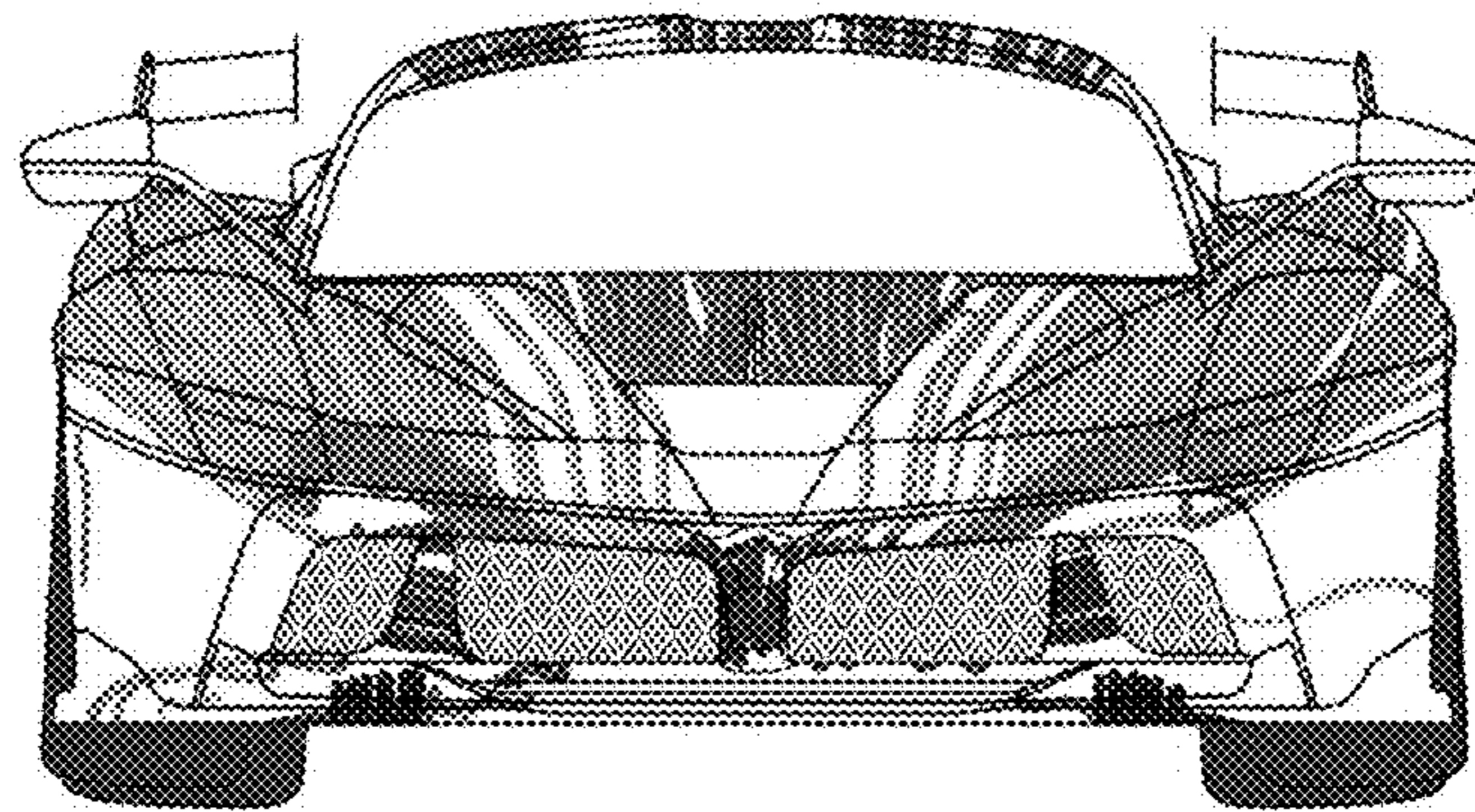


FIG. 9

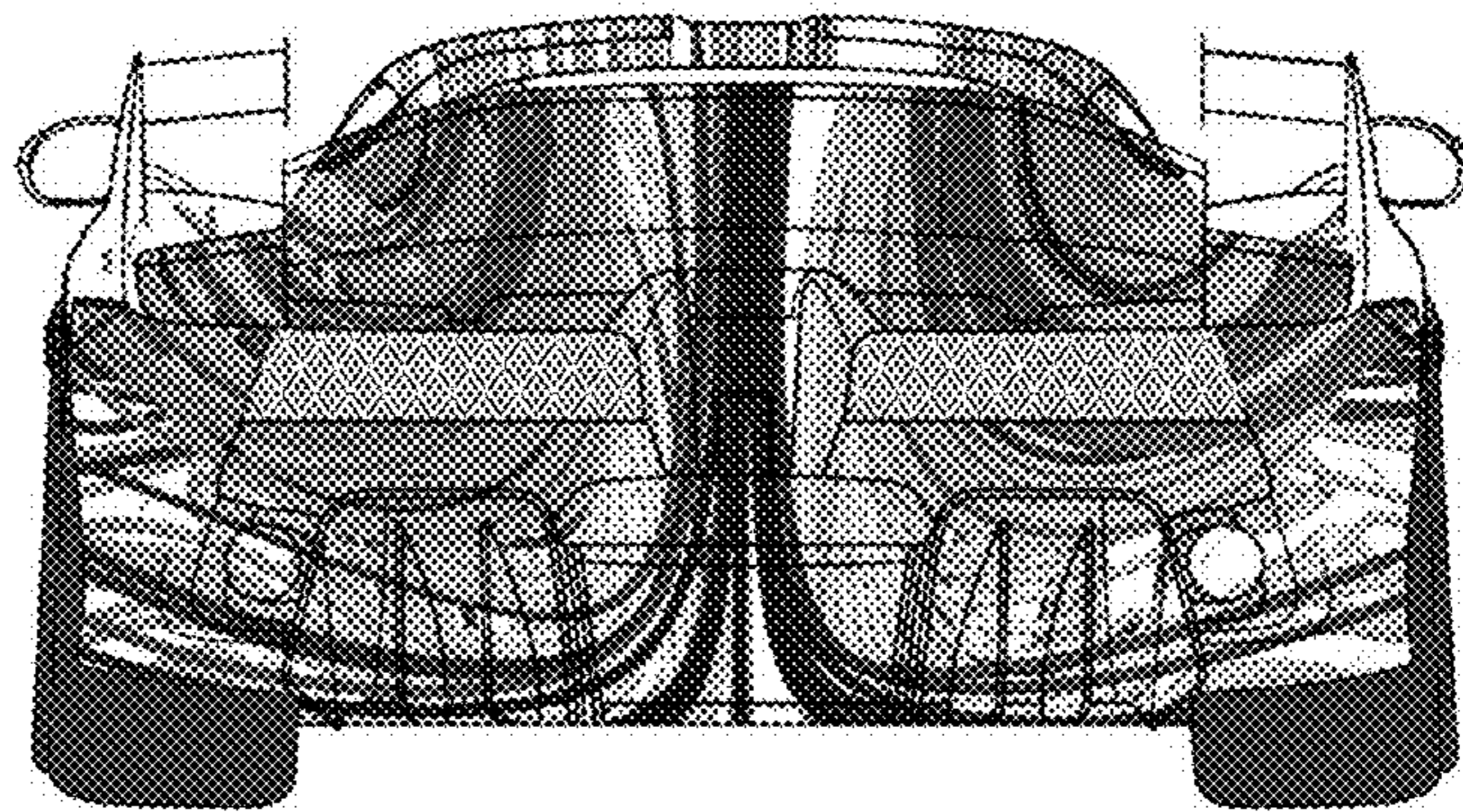


FIG. 10

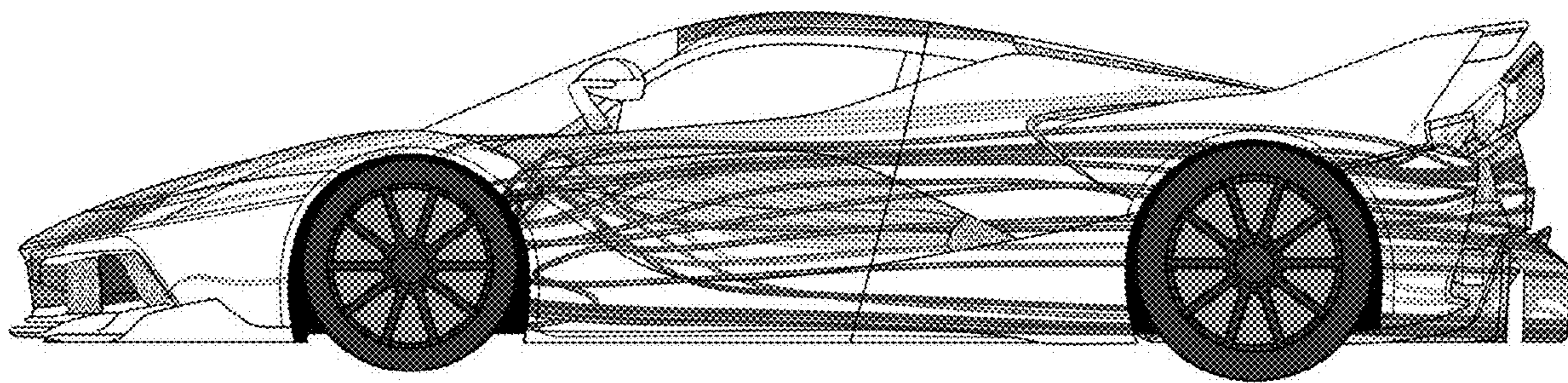


FIG. 11

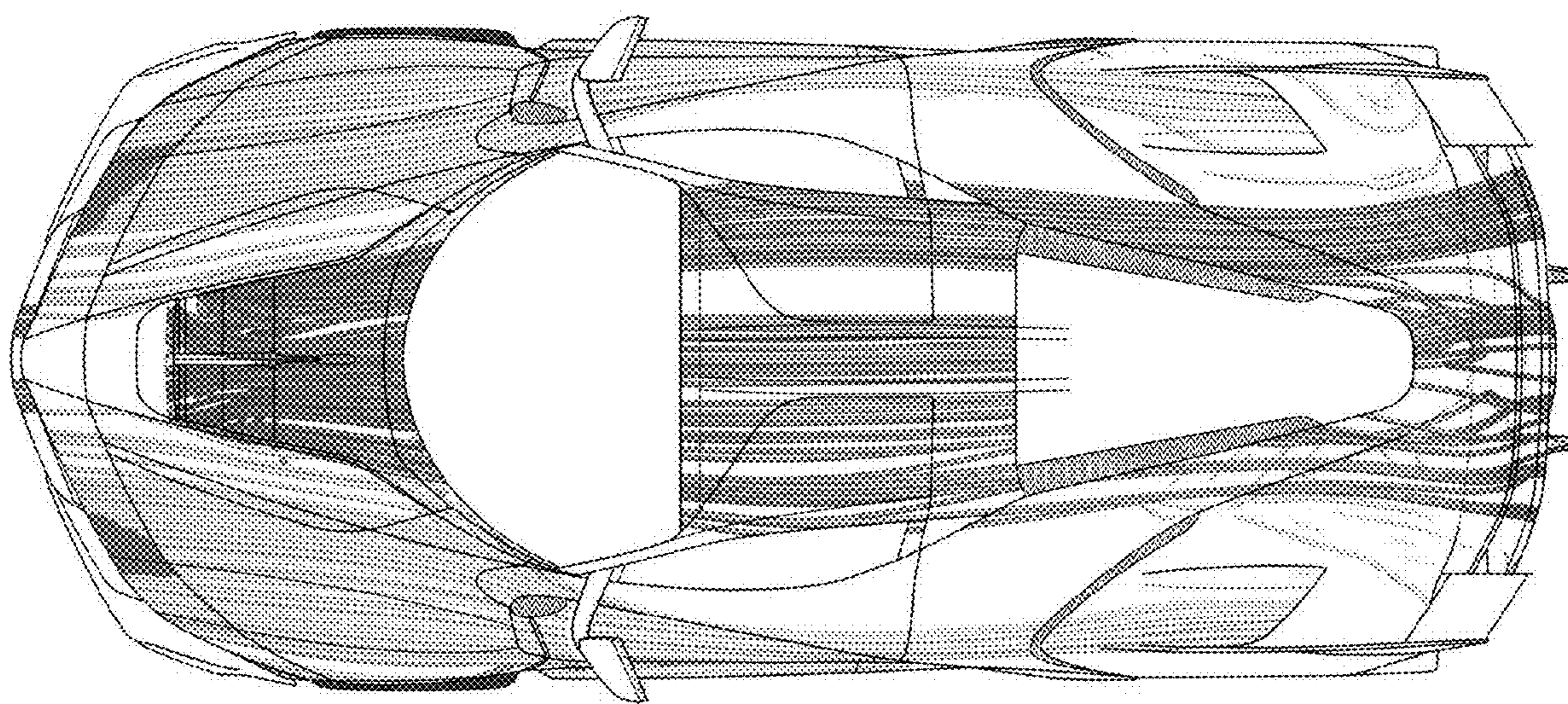


FIG. 12

