



US00D932370S

(12) **United States Design Patent** (10) **Patent No.:** **US D932,370 S**
Salis (45) **Date of Patent:** **** *Oct. 5, 2021**

(54) **RAILCAR SIDE BEARING PAD**
(71) Applicant: **Miner Enterprises Inc.**, Geneva, IL (US)
(72) Inventor: **Keith A. Salis**, Clare, IL (US)
(73) Assignee: **Miner Enterprises, Inc.**, Geneva, IL (US)
(*) Notice: This patent is subject to a terminal disclaimer.
(**) Term: **15 Years**
(21) Appl. No.: **29/605,803**
(22) Filed: **May 30, 2017**
(51) **LOC (13) Cl.** **12-03**
(52) **U.S. Cl.**
USPC **D12/47**
(58) **Field of Classification Search**
USPC D12/36-51, 223; D19/202, 203, 204; D30/160; D15/199
CPC B61F 5/142; B61F 5/14
See application file for complete search history.

4,601,598 A * 7/1986 Schwartz B43K 23/004 24/530
4,998,997 A * 3/1991 Carlston B61F 5/142 105/198.7
5,127,354 A * 7/1992 Magrab E02B 3/26 114/219
5,558,452 A * 9/1996 Oka B43K 23/008 401/6
5,865,146 A * 2/1999 Markham A01K 15/026 119/707
5,868,384 A * 2/1999 Anderson F16F 1/3732 267/140
5,988,909 A * 11/1999 Luke, Jr. B43K 5/005 401/6
D509,854 S * 9/2005 Kommer D19/199
7,325,499 B2 2/2008 Jensen
D581,528 S * 11/2008 Sudo D24/130
D583,868 S * 12/2008 Peterson D19/203
D624,711 S * 9/2010 Shatoff D30/160
8,038,134 B2 * 10/2011 Mertens F16F 1/3732 267/153
D684,942 S * 6/2013 Zelazowski G02C 9/00 D13/183
8,590,869 B2 * 11/2013 Tavares F16F 1/3605 267/152
D765,871 S * 9/2016 Downare D24/211
(Continued)

Primary Examiner — Ania Aman
(74) Attorney, Agent, or Firm — Law Office of John W. Harbst

(56) **References Cited**

U.S. PATENT DOCUMENTS

D200,842 S * 4/1965 Baranano D34/39
3,566,048 A * 2/1971 Martin B60M 1/305 191/22 R
3,677,535 A * 7/1972 Beck B60G 11/22 267/294
3,724,833 A * 4/1973 Sergay B60R 19/36 267/140
3,826,881 A * 7/1974 Spiringer B60M 1/307 191/32
D233,221 S * 10/1974 Clay D34/31
4,566,678 A * 1/1986 Anderson B29C 67/0014 267/141.1

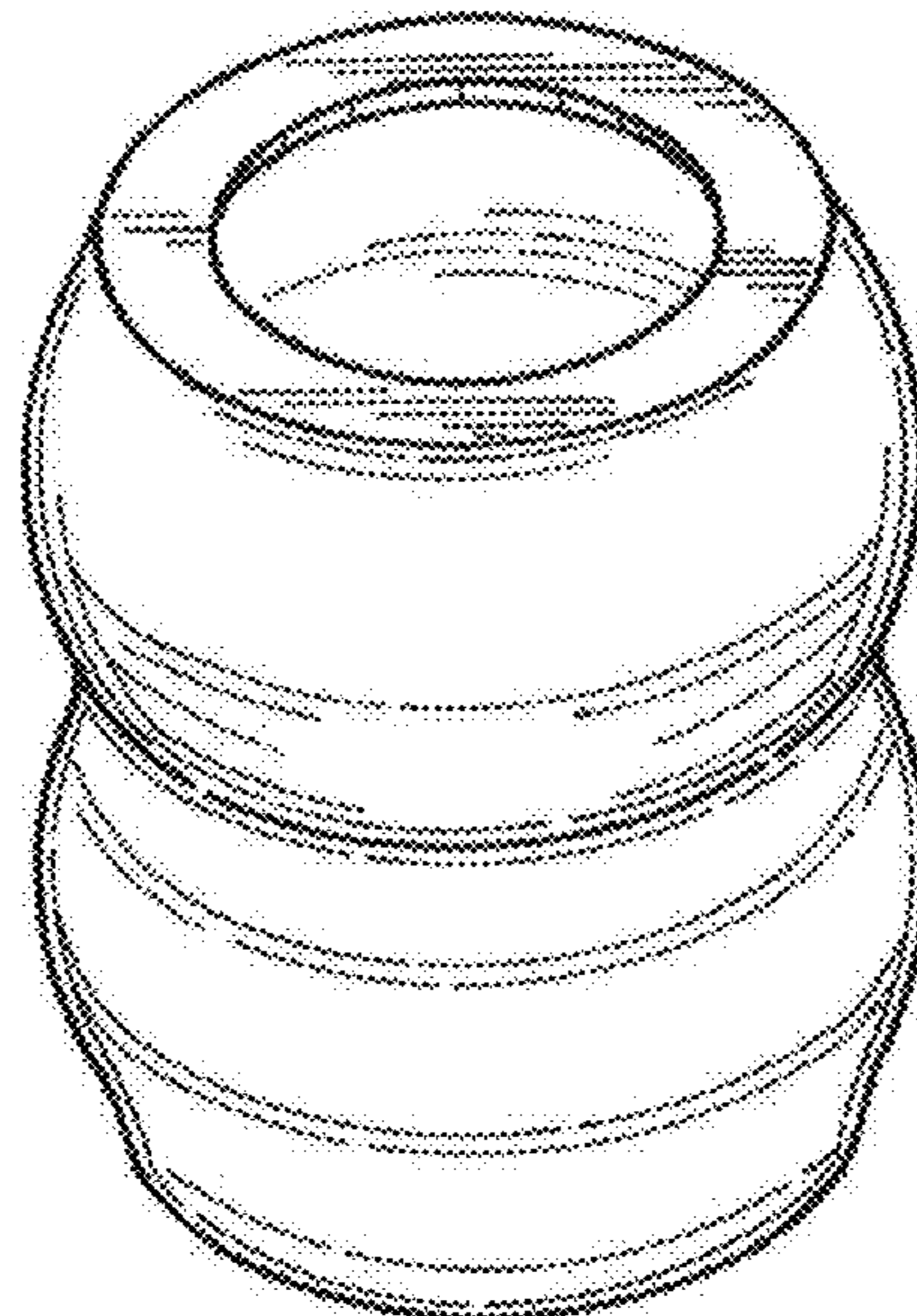
(57) **CLAIM**

The ornamental design for a railcar side bearing pad, as shown and described.

DESCRIPTION

FIG. 1 is a top perspective view of a railcar side bearing pad showing my new design;
FIG. 2 is an elevation view thereof;
FIG. 3 is a top plan view thereof; and,
FIG. 4 is a bottom plan view thereof.

1 Claim, 1 Drawing Sheet



(56)

References Cited

U.S. PATENT DOCUMENTS

D800,330	S *	10/2017	Loos	D24/211
D848,555	S *	5/2019	Chang	D21/688
D858,911	S *	9/2019	Becattini, Jr.	D30/160
2004/0089193	A1 *	5/2004	O'Donnell	B61F 5/142
					105/392.5
2008/0035013	A1 *	2/2008	Johnstone	B61F 5/14
					105/199.3
2008/0173211	A1 *	7/2008	Kennedy	B61F 5/142
					105/199.3
2011/0121526	A1 *	5/2011	Popjoy	B61F 5/10
					280/6.159
2012/0240818	A1 *	9/2012	Zanutti	B61F 5/14
					105/453

* cited by examiner

FIG.1

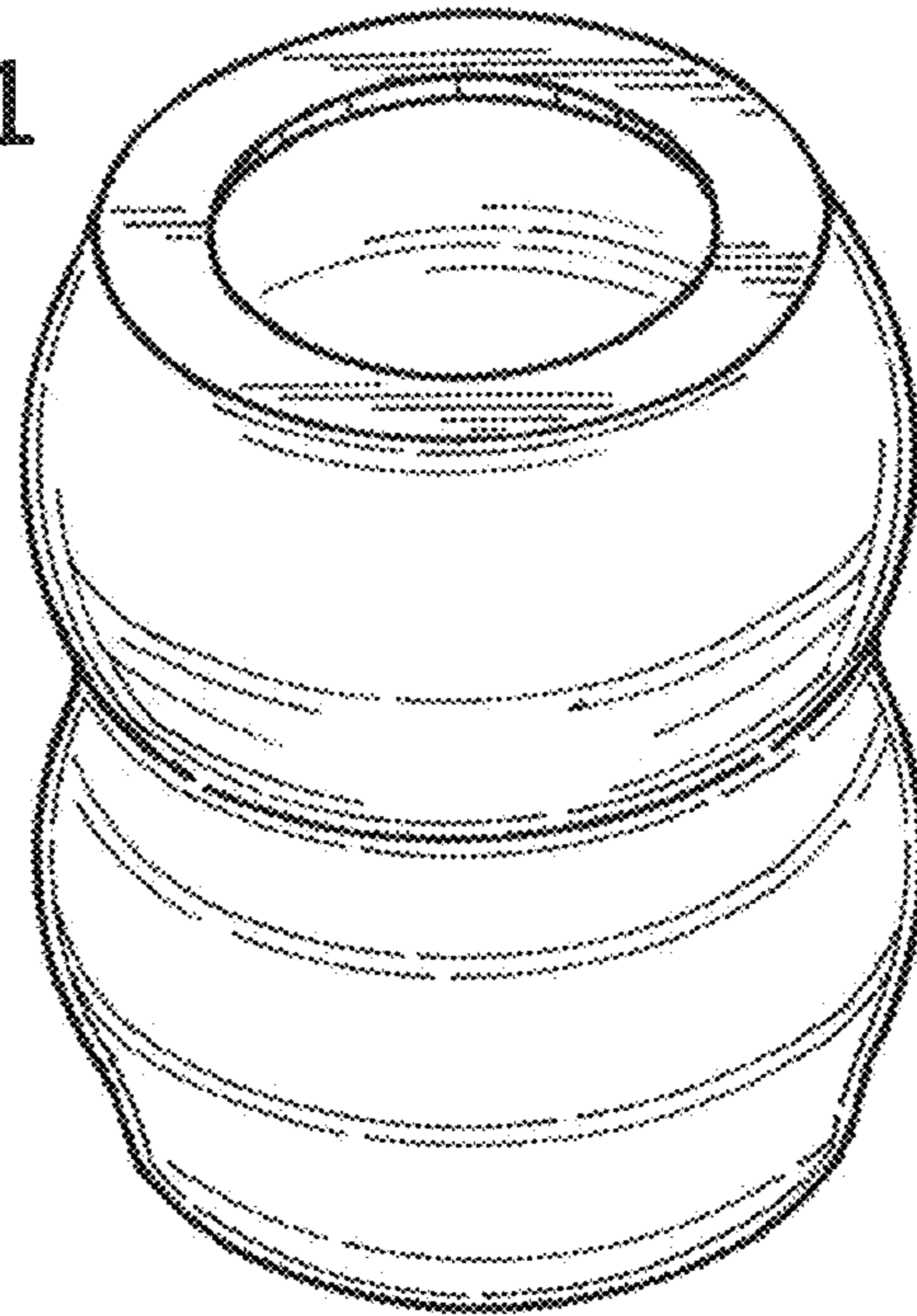


FIG.2

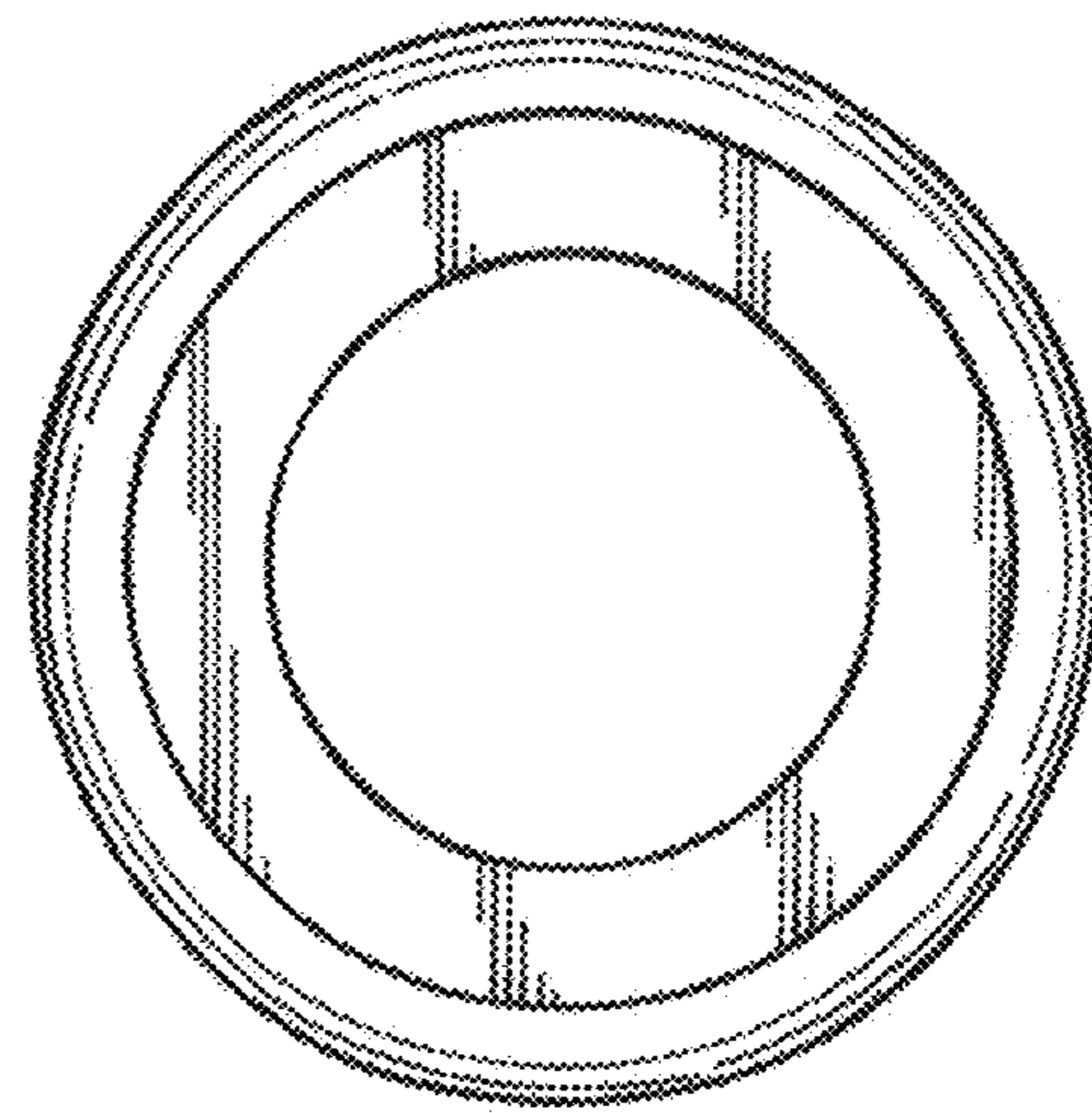
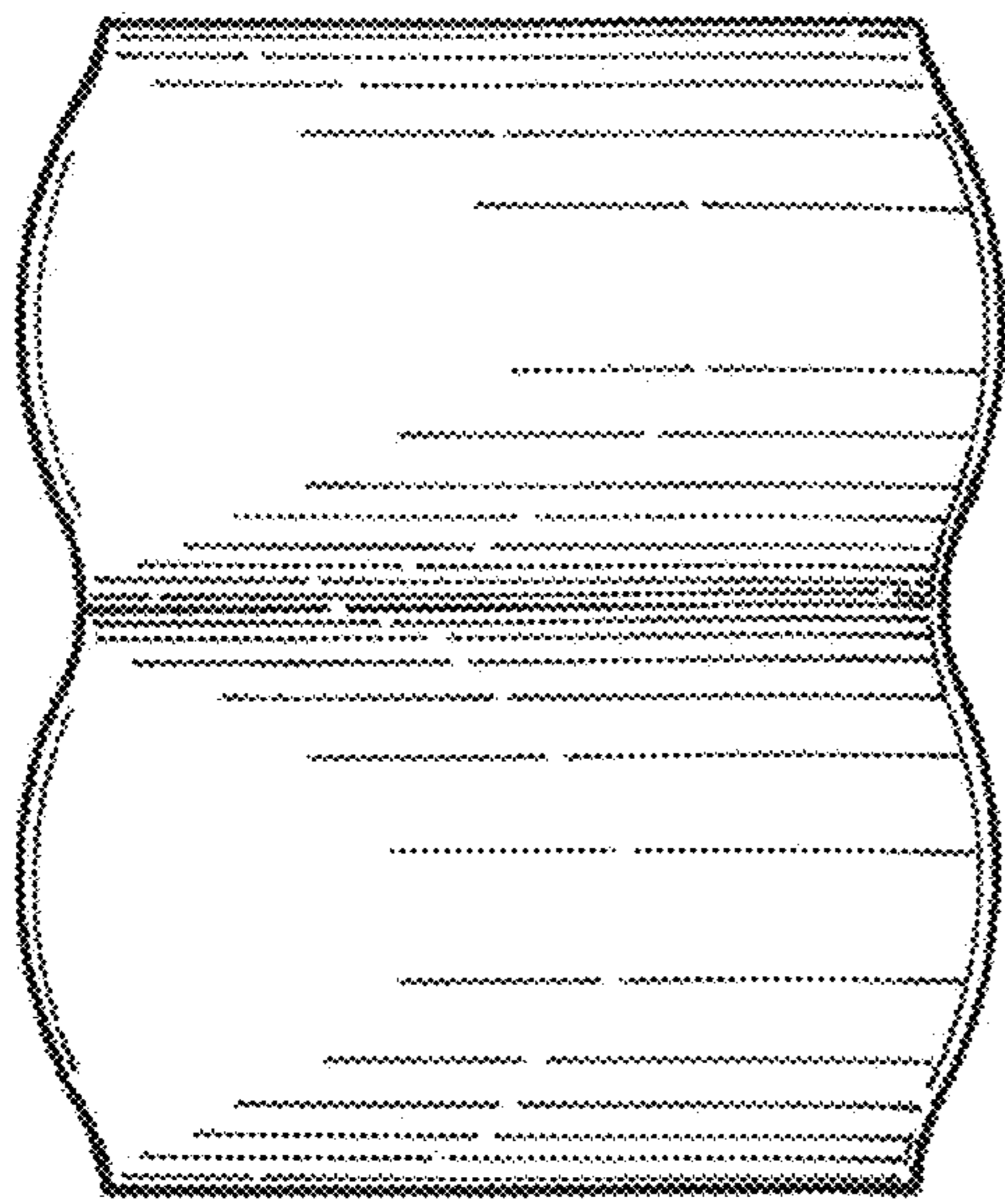


FIG.3

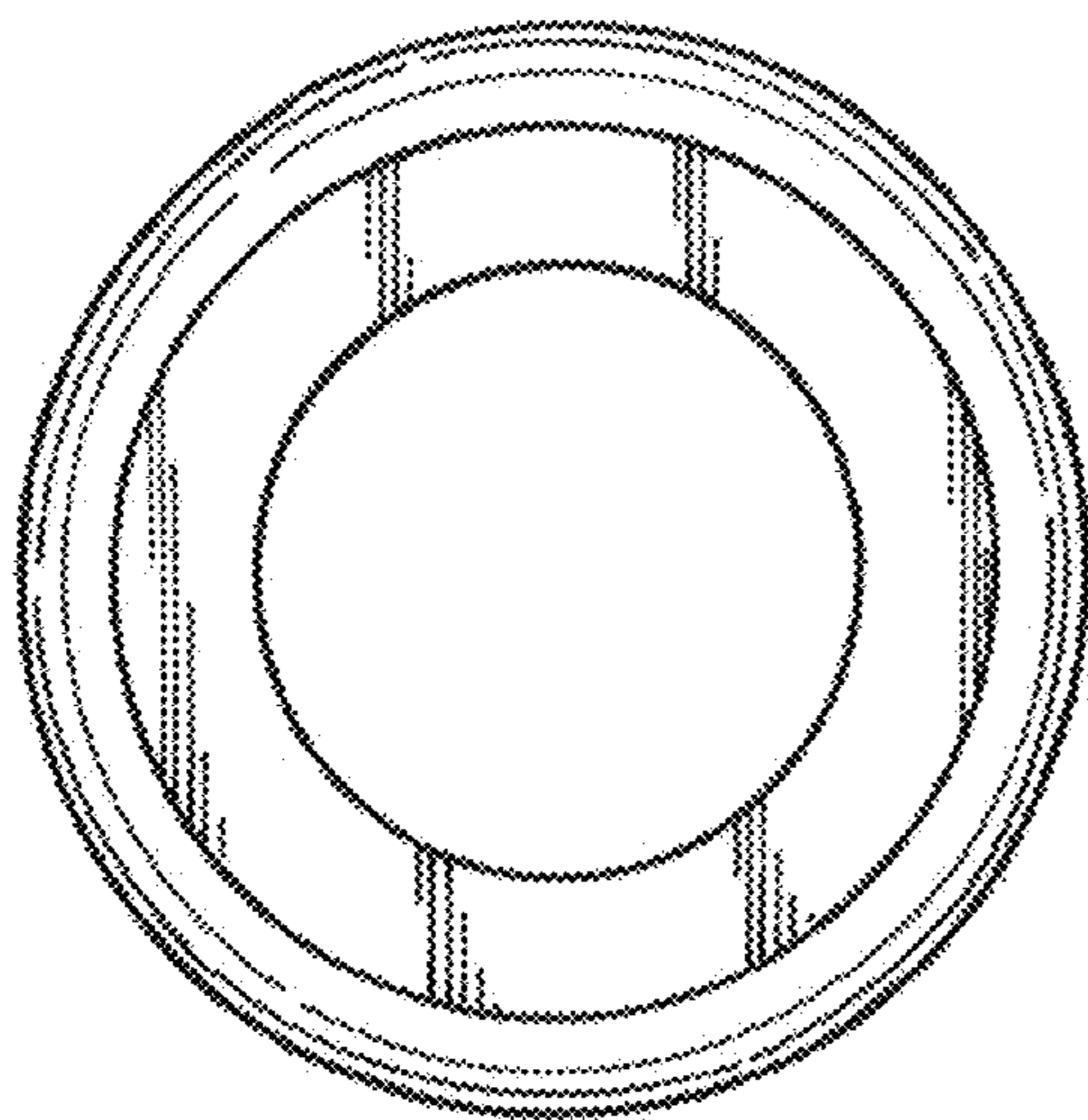


FIG.4