



US00D932369S

(12) **United States Design Patent** (10) **Patent No.:** **US D932,369 S**  
**Passley** (45) **Date of Patent:** **\*\* Oct. 5, 2021**

(54) **DRONE**  
(71) Applicant: **Shaun Passley**, Wheeling, IL (US)  
(72) Inventor: **Shaun Passley**, Wheeling, IL (US)  
(73) Assignee: **ZenaDrone, Inc.**, Chicago, IL (US)  
(\*\*) Term: **15 Years**  
(21) Appl. No.: **29/750,790**

2008/0048065 A1\* 2/2008 Kuntz ..... B64C 39/024  
244/17.23  
2015/0175258 A1\* 6/2015 Lee ..... B64D 25/00  
244/17.23  
2016/0068261 A1\* 3/2016 Niederberger ..... A47L 1/02  
244/2  
2017/0174336 A1\* 6/2017 Baba ..... B64C 1/30  
2017/0269609 A1\* 9/2017 Bradlow ..... G05D 1/0661  
2017/0274983 A1\* 9/2017 Beckman ..... B64C 11/28  
2017/0277187 A1\* 9/2017 Refai ..... H04N 7/185  
2017/0285661 A1\* 10/2017 Harada ..... G05D 1/0088  
2018/0057157 A1\* 3/2018 Groninga ..... B64C 39/008  
2020/0407053 A1\* 12/2020 Song ..... B64C 39/024

(22) Filed: **Sep. 16, 2020**  
(51) **LOC (13) Cl.** ..... **11-07**  
(52) **U.S. Cl.**  
USPC ..... **D12/16.1**  
(58) **Field of Classification Search**  
USPC ..... D12/1-4, 16.1, 319-345; D21/436-453;  
D27/194  
CPC ..... B64C 39/024; B64C 2201/127; B64C  
2201/128; B64C 2201/042; B64C  
2201/141; B64C 2201/143  
See application file for complete search history.

**OTHER PUBLICATIONS**

ZenaDrone. by Greenheart CBD. dated 2021. found online [Jun. 15, 2021] <https://greenheartcbd.ie/our-technology/>.\*

\* cited by examiner

*Primary Examiner* — Marissa J Cash  
(74) *Attorney, Agent, or Firm* — Justin Lampel

(57) **CLAIM**

The ornamental design for a drone, as shown and described.

(56) **References Cited**

**DESCRIPTION**

**U.S. PATENT DOCUMENTS**

D634,257 S \* 3/2011 Alexander ..... D12/326  
D751,025 S \* 3/2016 Howell ..... D12/319  
D761,690 S \* 7/2016 Friesmuth ..... D12/16.1  
D776,569 S \* 1/2017 Baruchin ..... D12/16.1  
D776,570 S \* 1/2017 Baruchin ..... D12/16.1  
D779,595 S \* 2/2017 Xiao ..... D21/441  
D817,812 S \* 5/2018 Whitten, Jr. .... D12/16.1  
10,317,914 B2\* 6/2019 Douglas ..... B64C 29/0008  
D862,361 S \* 10/2019 Corning ..... D12/330  
D872,004 S \* 1/2020 Nunes ..... D12/328  
D894,790 S 9/2020 Chen

FIG. 1 is a perspective view of a drone showing the claimed design;

FIG. 2 is a front view thereof;

FIG. 3 is a back view thereof;

FIG. 4 is a side view thereof;

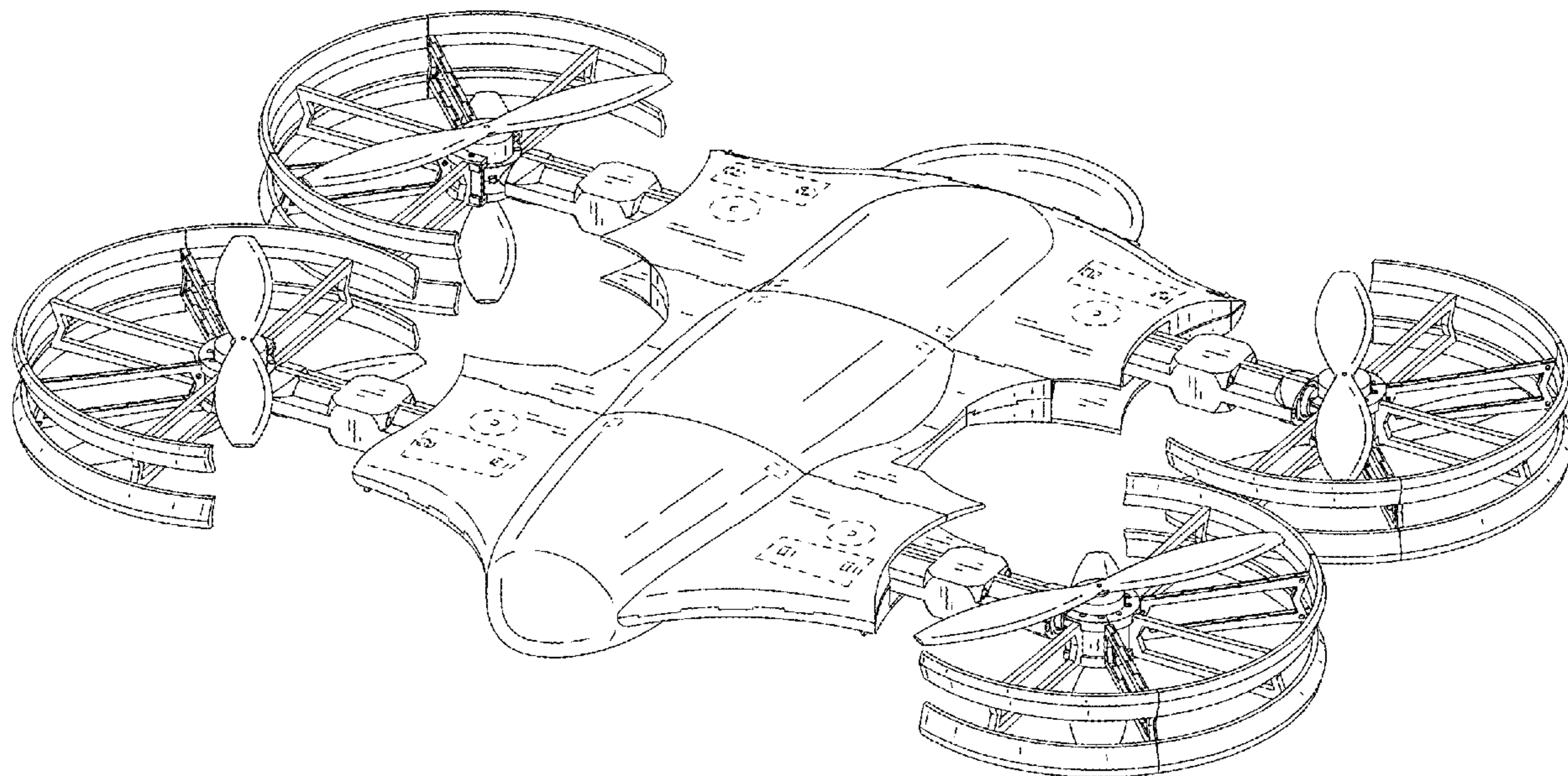
FIG. 5 is a side view thereof;

FIG. 6 is a top view thereof; and,

FIG. 7 is a bottom view thereof.

The broken lines form no part of the claimed design.

**1 Claim, 5 Drawing Sheets**



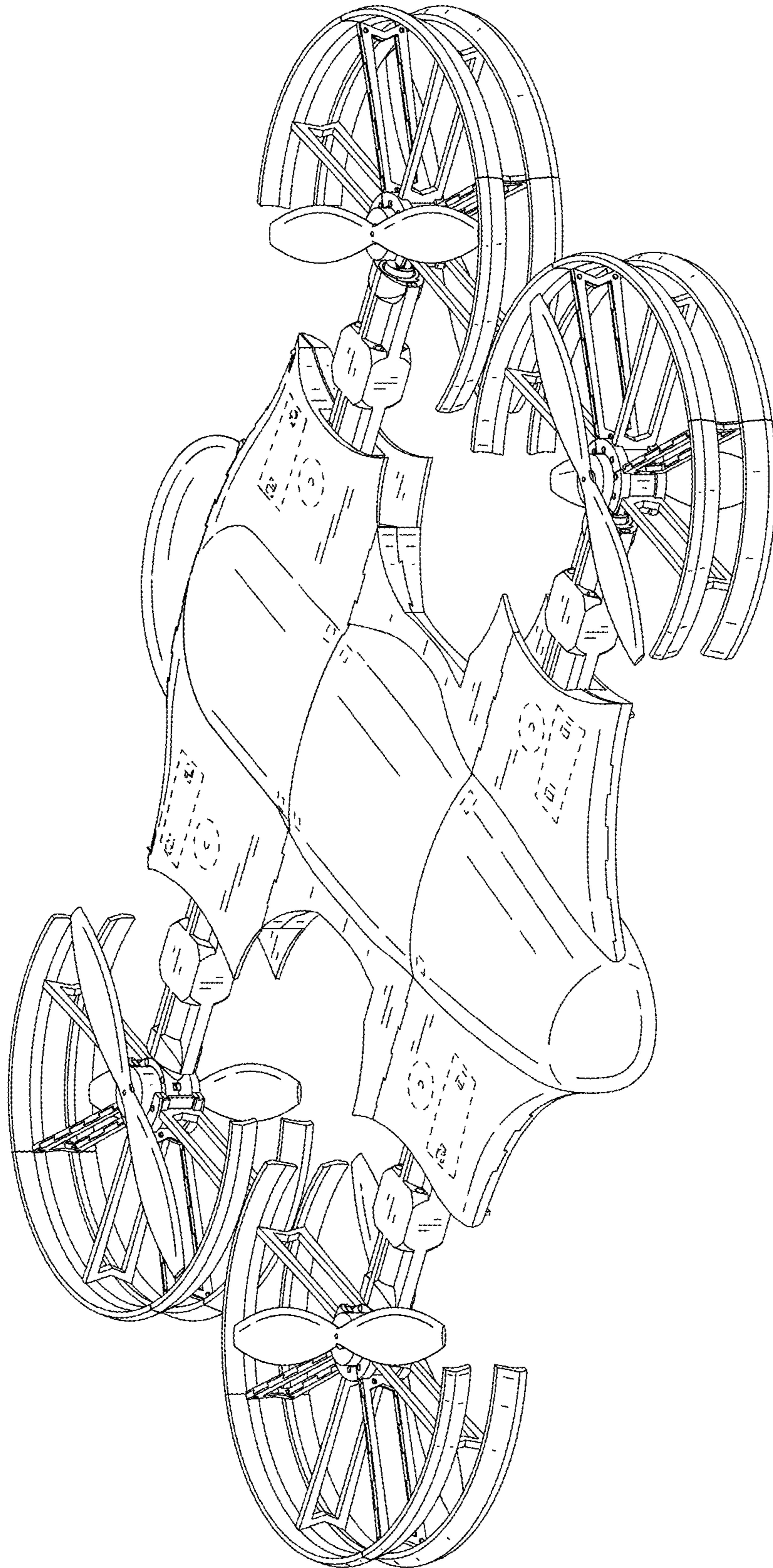


FIG. 1

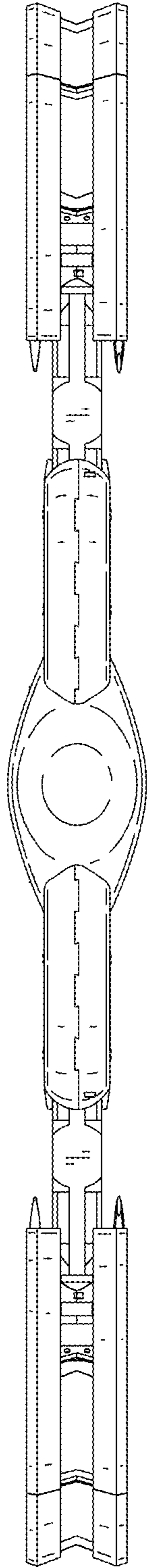


FIG. 2

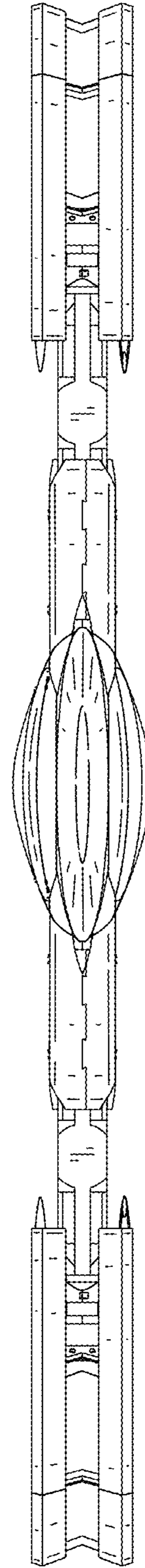


FIG. 3

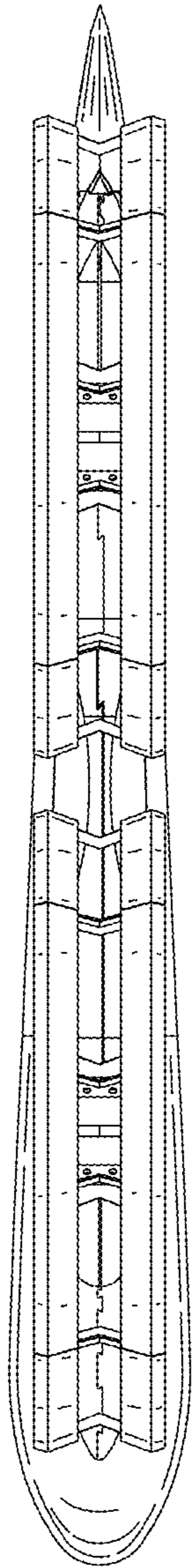


FIG. 4

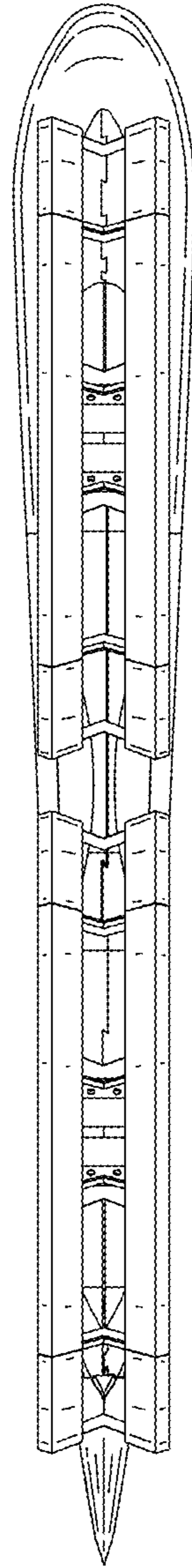


FIG. 5

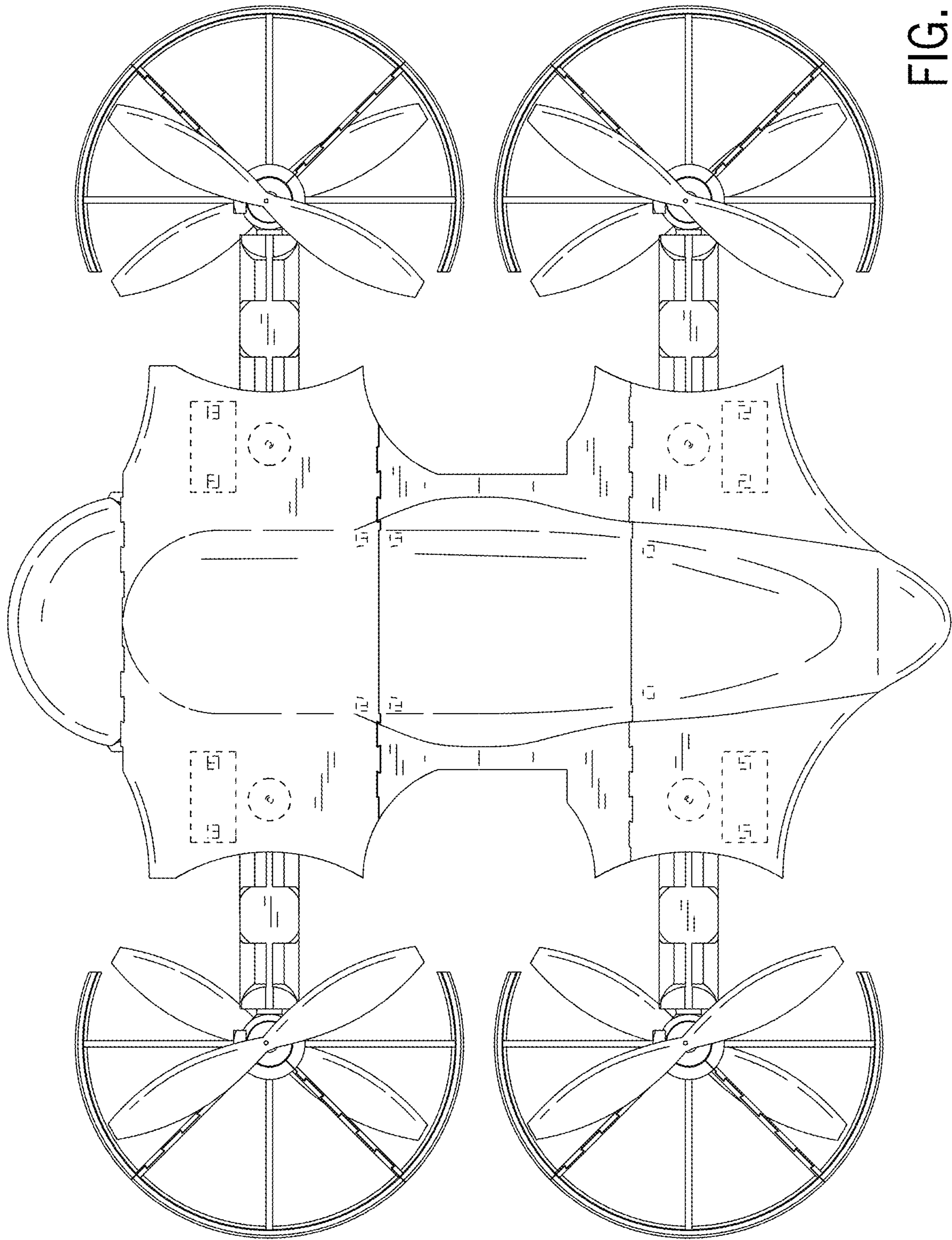


FIG. 6

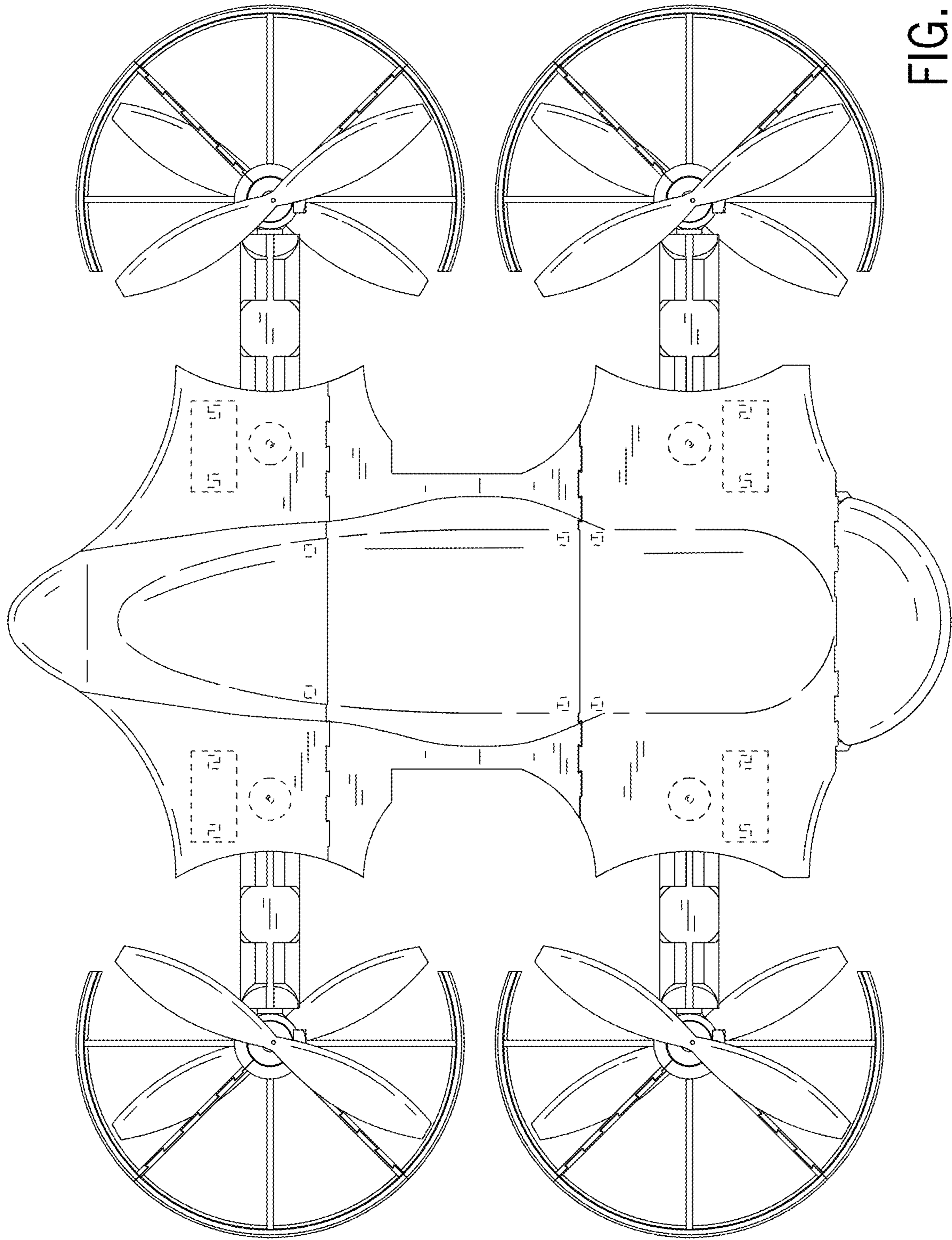


FIG. 7