



US00D932368S

(12) **United States Design Patent** (10) **Patent No.:** **US D932,368 S**
Shih et al. (45) **Date of Patent:** **** Oct. 5, 2021**

(54) **AUTOMATED DELIVERY VEHICLE**

(71) Applicant: **DoorDash, Inc.**, San Francisco, CA (US)

(72) Inventors: **Harrison Shih**, San Francisco, CA (US); **Ilya Polyakov**, San Francisco, CA (US); **Bruce Vest**, San Francisco, CA (US)

(73) Assignee: **DoorDash, Inc.**, San Francisco, CA (US)

(**) Term: **15 Years**

(21) Appl. No.: **29/691,732**

(22) Filed: **May 17, 2019**

(51) **LOC (13) Cl.** **12-14**

(52) **U.S. Cl.**
USPC **D12/1; D15/199**

(58) **Field of Classification Search**
USPC D12/1, 181, 96, 99, 400, 182, 183, 184, D12/185, 190, 195, 192, 191, 91, 92; D15/199

CPC . B25J 5/005; B25J 5/007; B61B 13/00; B66F 9/22; B66F 9/063; B60P 9/00; G05D 1/0263; G05D 1/0238; G05D 1/0094; B62D 39/00

See application file for complete search history.

(56) **References Cited**

U.S. PATENT DOCUMENTS

D821,265	S	*	6/2018	Makela	D12/86
D824,976	S	*	8/2018	Makela	D15/199
D866,393	S	*	11/2019	Asai	D12/1
2018/0194411	A1	*	7/2018	Liivik	B60G 5/01
2018/0253107	A1	*	9/2018	Heinla	G05D 1/0212
2018/0330313	A1	*	11/2018	Clarke	G06Q 10/08
2019/0049988	A1	*	2/2019	Meij	G05D 1/0274
2019/0184742	A1	*	6/2019	Kwa	B60G 3/02
2020/0090366	A1	*	3/2020	Korjus	G01S 13/867
2020/0173787	A1	*	6/2020	Sullivan	G01C 21/3492

OTHER PUBLICATIONS

OECD / ITF (2015). Automated and Autonomous Driving Regulation under uncertainty. [online] Available at: https://cyberlaw.stanford.edu/files/publication/files/15CPB_AutonomousDriving.pdf [Accessed Feb. 8, 2020], 32 pages.

Litman, T. (n.d.). Autonomous Vehicle Implementation Predictions Implications for Transport Planning. [online] Available at: <https://www.vtpi.org/avip.pdf>, 2013, 38 pages.

Study of the Potential Energy Consumption Impacts of Connected and Automated Vehicles. (2017). [online] Available at: https://www.eia.gov/analysis/studies/transportation/automated/pdf/automated_vehicles.pdf, 96 pages.

* cited by examiner

Primary Examiner — Ania Aman

(74) *Attorney, Agent, or Firm* — Kwan & Olynick LLP

(57) **CLAIM**

The ornamental design for an automated delivery vehicle, as shown and described.

DESCRIPTION

FIG. 1 is a perspective view of an automated delivery vehicle showing front, left, and top sides;

FIG. 2 is a front view of the automated delivery vehicle in FIG. 1;

FIG. 3 is a back view thereof;

FIG. 4 is a right view thereof;

FIG. 5 is a left view thereof;

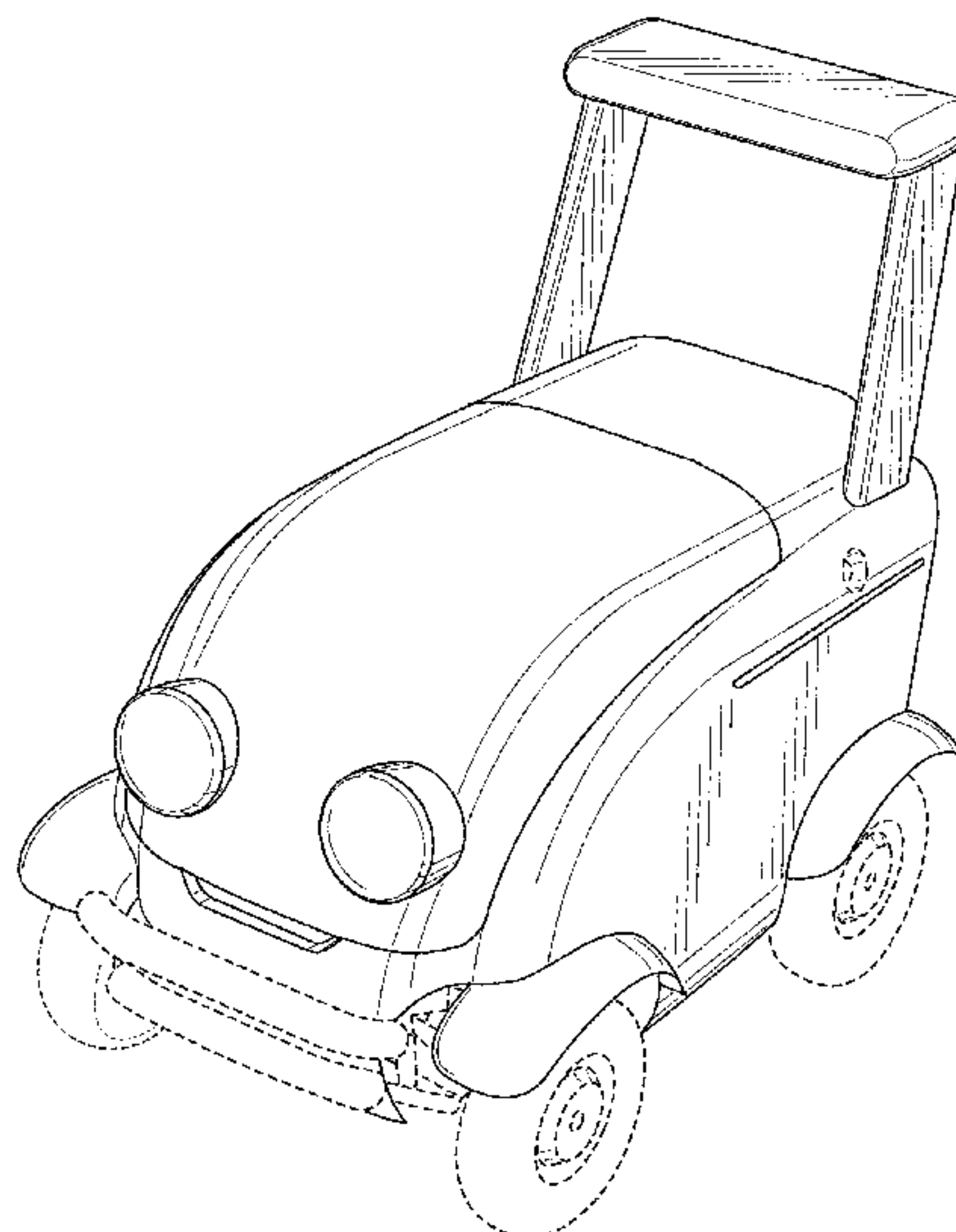
FIG. 6 is a top view thereof;

FIG. 7 is a perspective view thereof showing back, right, and top sides; and,

FIG. 8 is a perspective view thereof showing back, right, and bottom sides.

The broken lines depict environment and portions of the article that form no part of the claimed design.

1 Claim, 7 Drawing Sheets



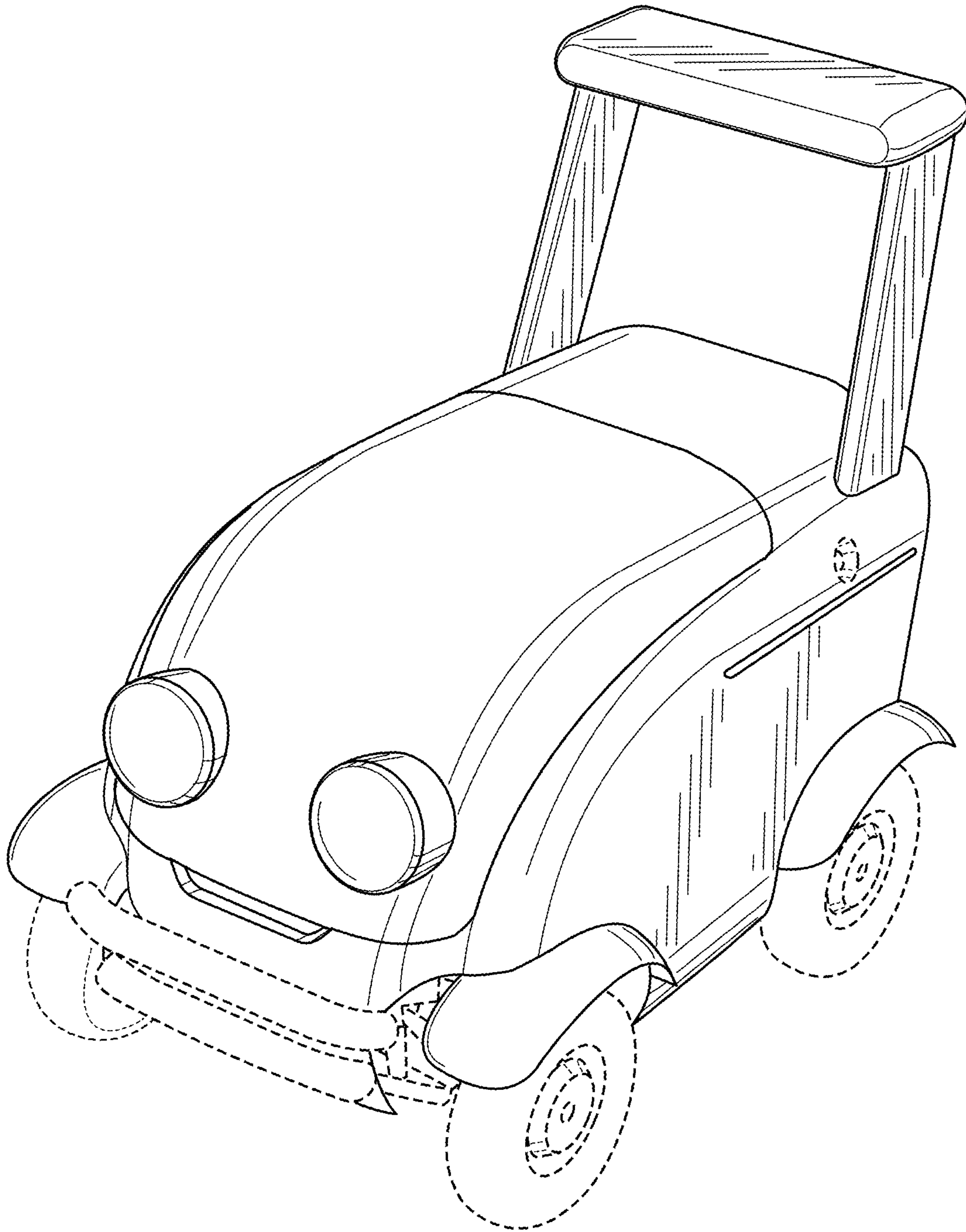


FIG. 1

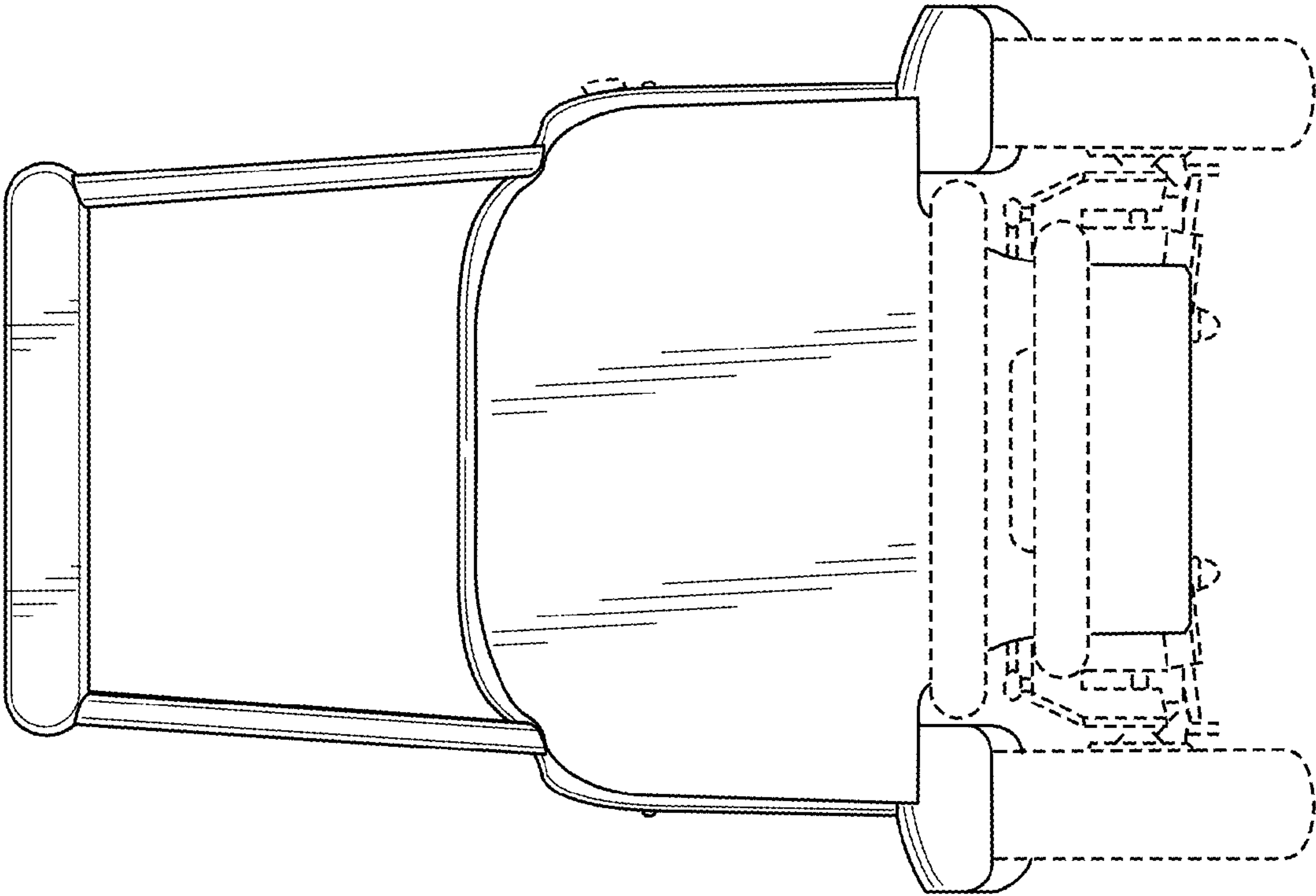


FIG. 2

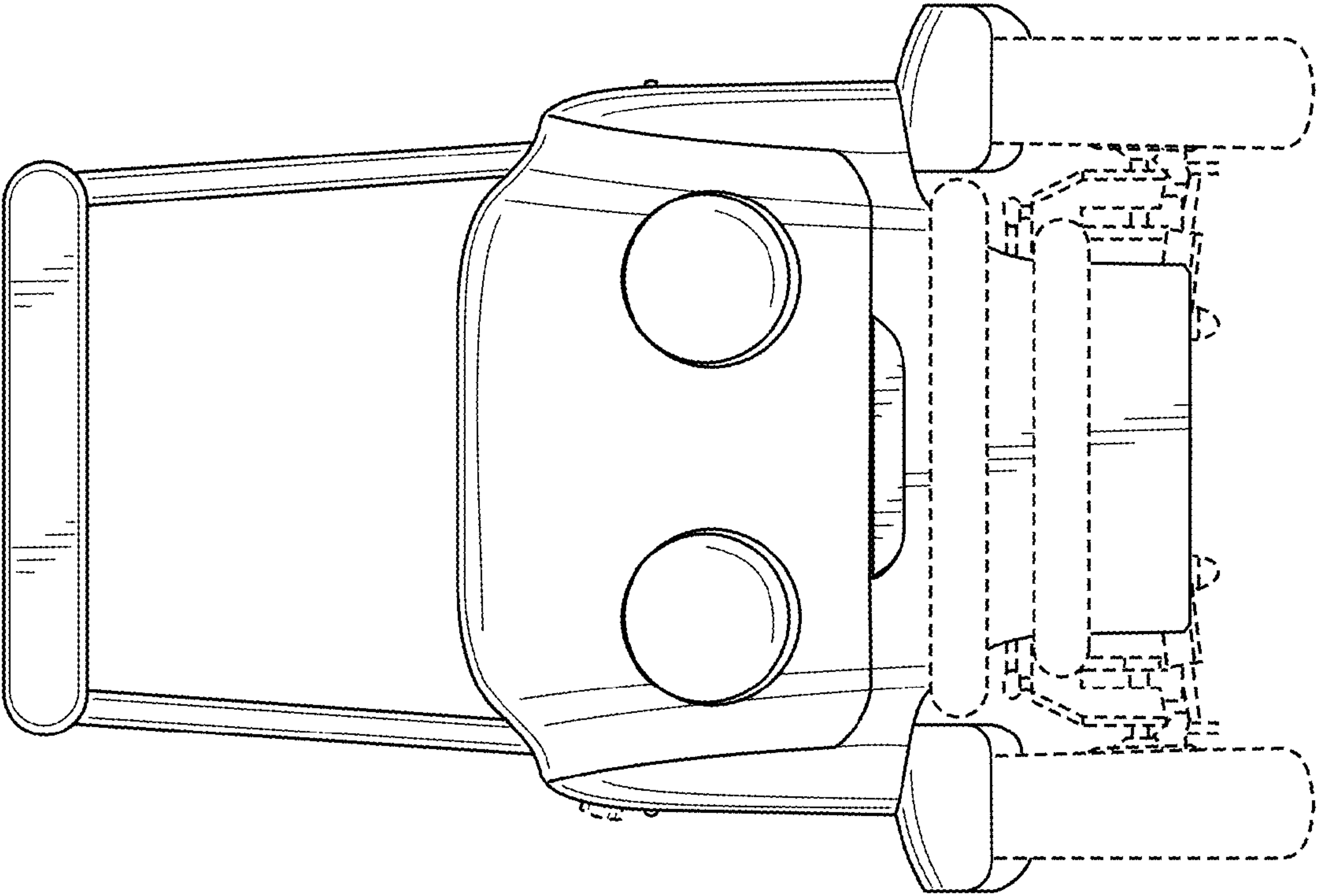


FIG. 3

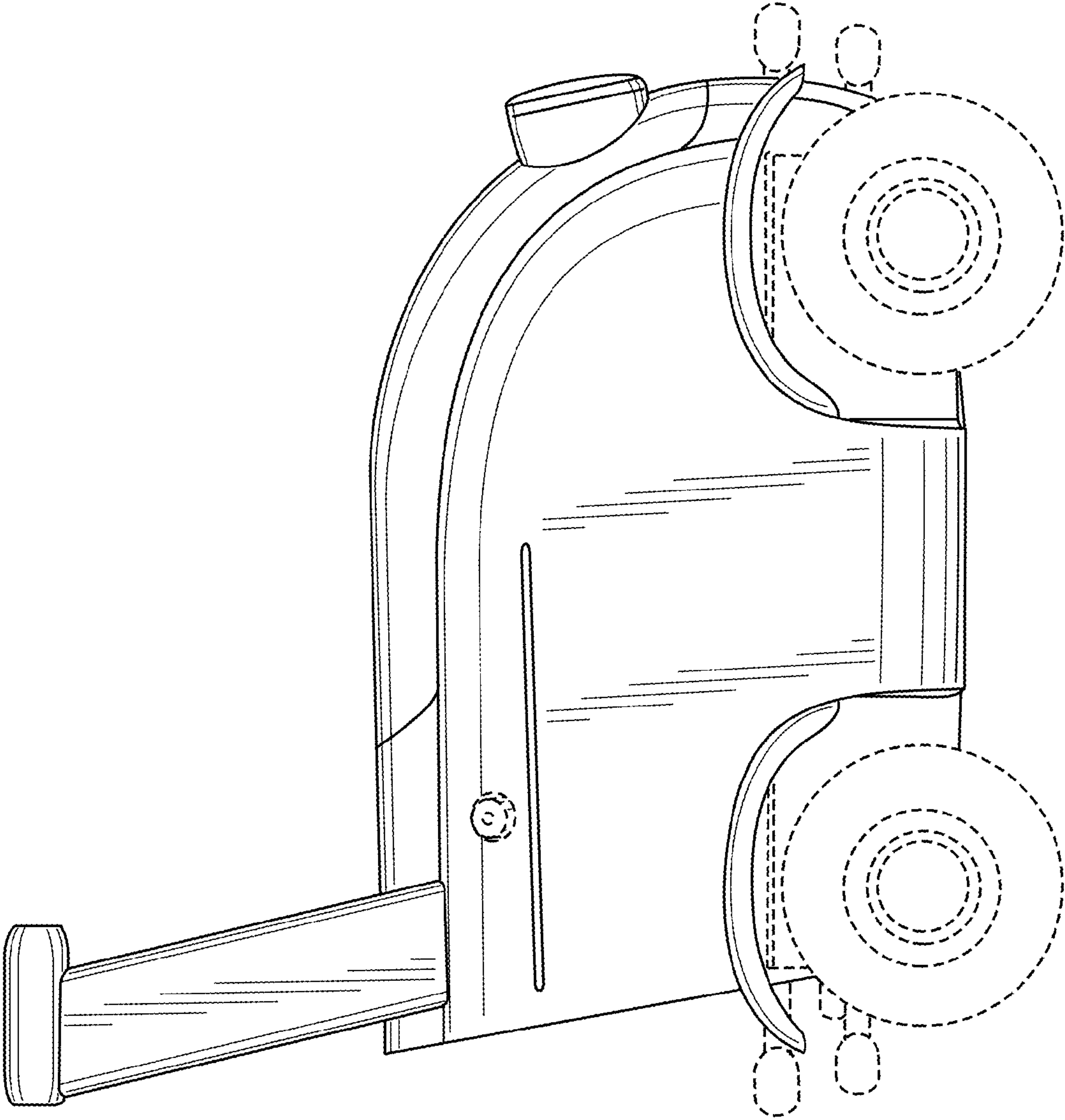


FIG. 4

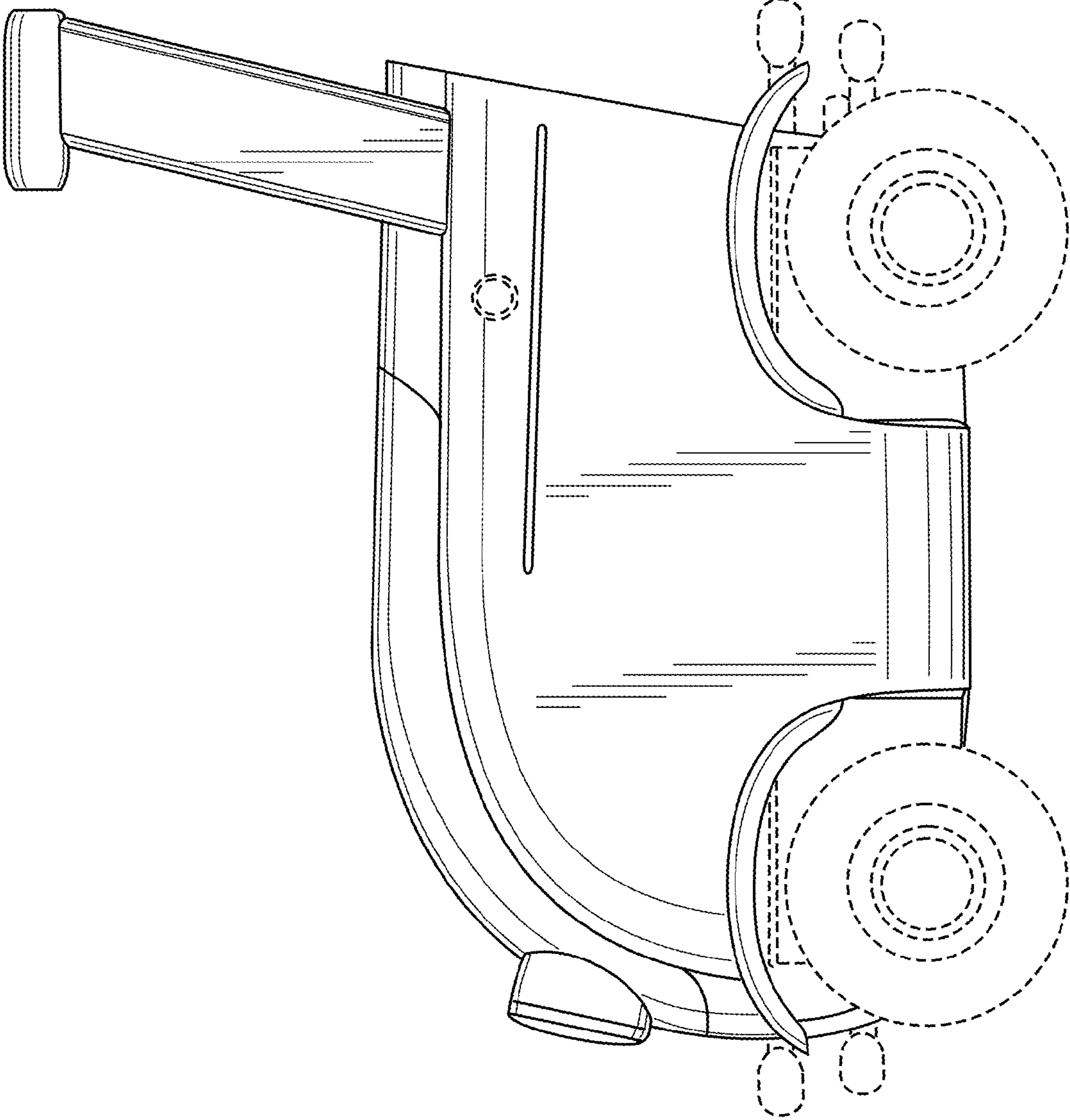


FIG. 5

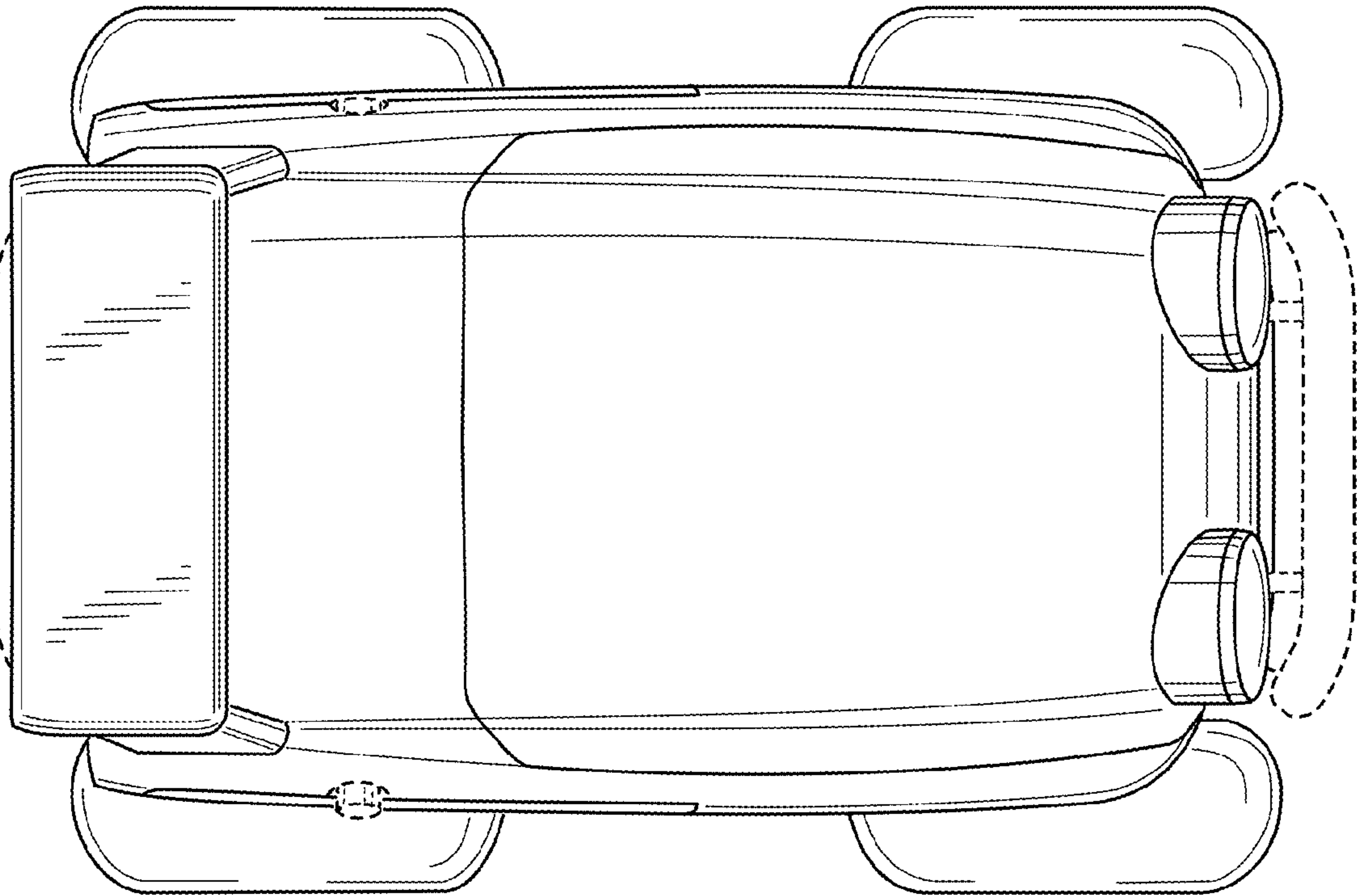


FIG. 6

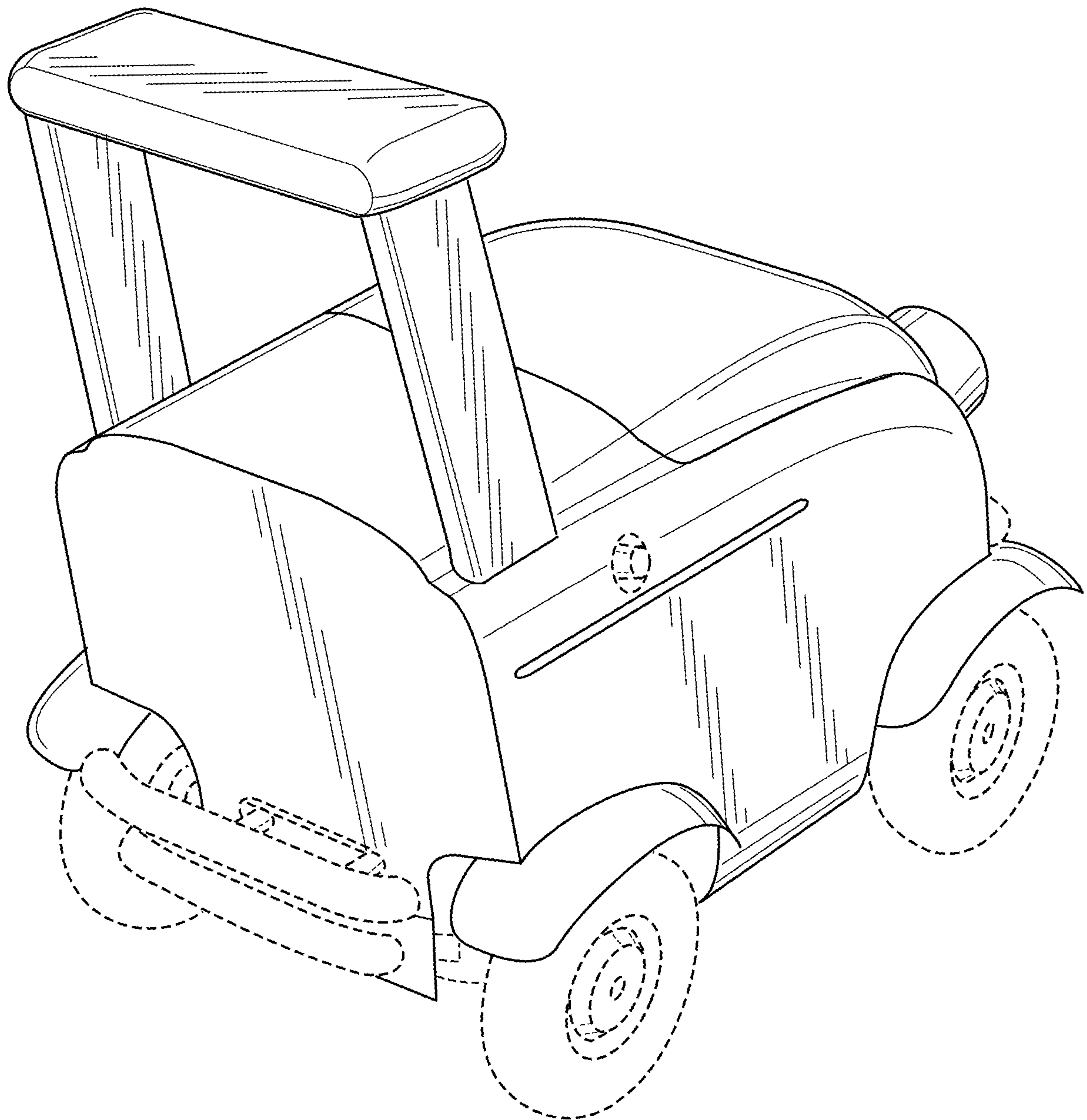


FIG. 7

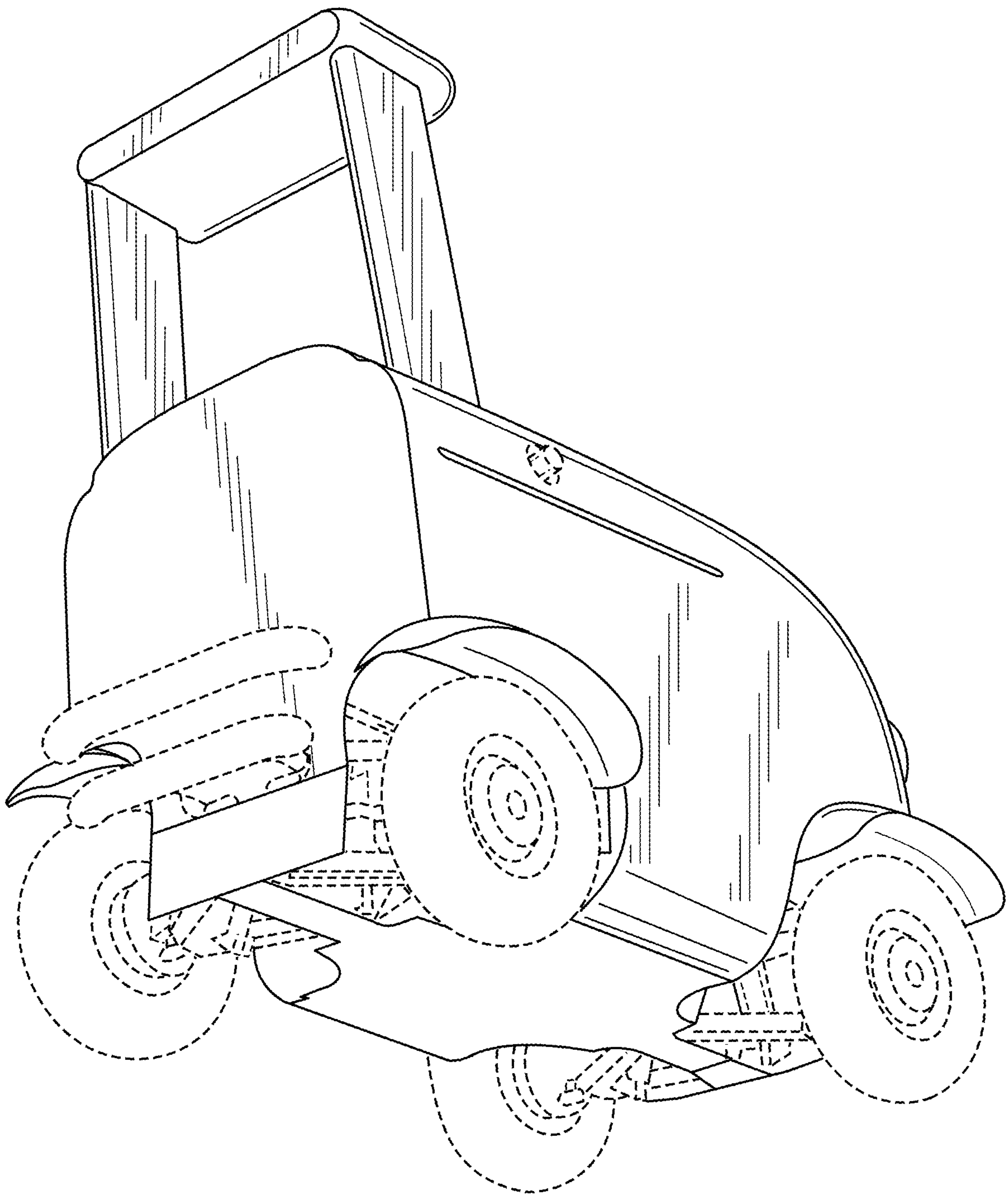


FIG. 8