



US00D932367S

(12) **United States Design Patent** (10) **Patent No.:** **US D932,367 S**
Fulop (45) **Date of Patent:** **** Oct. 5, 2021**

(54) **BUCKLE**
(71) Applicant: **Marino Avenue Inc.**, Brooklyn, NY (US)

9,345,288 B1 * 5/2016 Greenberg A44B 11/24
D776,568 S * 1/2017 Taylor D11/216
D787,981 S * 5/2017 Hahn D11/237
D856,190 S * 8/2019 Dumas D11/231
D860,857 S * 9/2019 Taylor D11/216

(72) Inventor: **Isaac Fulop**, Brooklyn, NY (US)
(73) Assignee: **Marino Avenue Inc.**, Brooklyn, NY (US)

OTHER PUBLICATIONS

Marino Avenue Mens Genuine Leather Ratchet Dress Belt with Open Linxx Leather Buckle [Dec. 6, 2020] found online [Dec. 6, 2020]—https://www.amazon.com/dp/B0741LFNV1/ref=sspa_dk_detail_1?psc=1&pd_rd_i=B0741LFNV1&pd_rd_w=zWcGs&pf_rd_p=f0355a48-7e73-489a-9590-564e12837b93&pd_rd_wg=GEHof&pf_rd_r=C67ECVB7TEN4YXE94KWR&pd_*

(**) Term: **15 Years**

* cited by examiner

(21) Appl. No.: **29/592,883**

(22) Filed: **Feb. 3, 2017**

(51) **LOC (13) Cl.** **02-07**

(52) **U.S. Cl.**
USPC **D11/231**

(58) **Field of Classification Search**
USPC ... D11/30, 95–100, 101, 105–110, 116, 132, D11/222, 223, 226, 228, 230, 231, 232, D11/233, 237, 238; D14/485, 486; D2/883, 884, 624–627, 636, 638; D8/387
CPC .. A44C 7/00; A44C 7/002; A44B 1/14; A44B 1/02; A44B 1/20; A44B 1/00
See application file for complete search history.

Primary Examiner — John A Voytek
(74) *Attorney, Agent, or Firm* — Tarter Krinsky & Drogin LLP

(57) **CLAIM**
The ornamental design for a buckle, as shown and described.

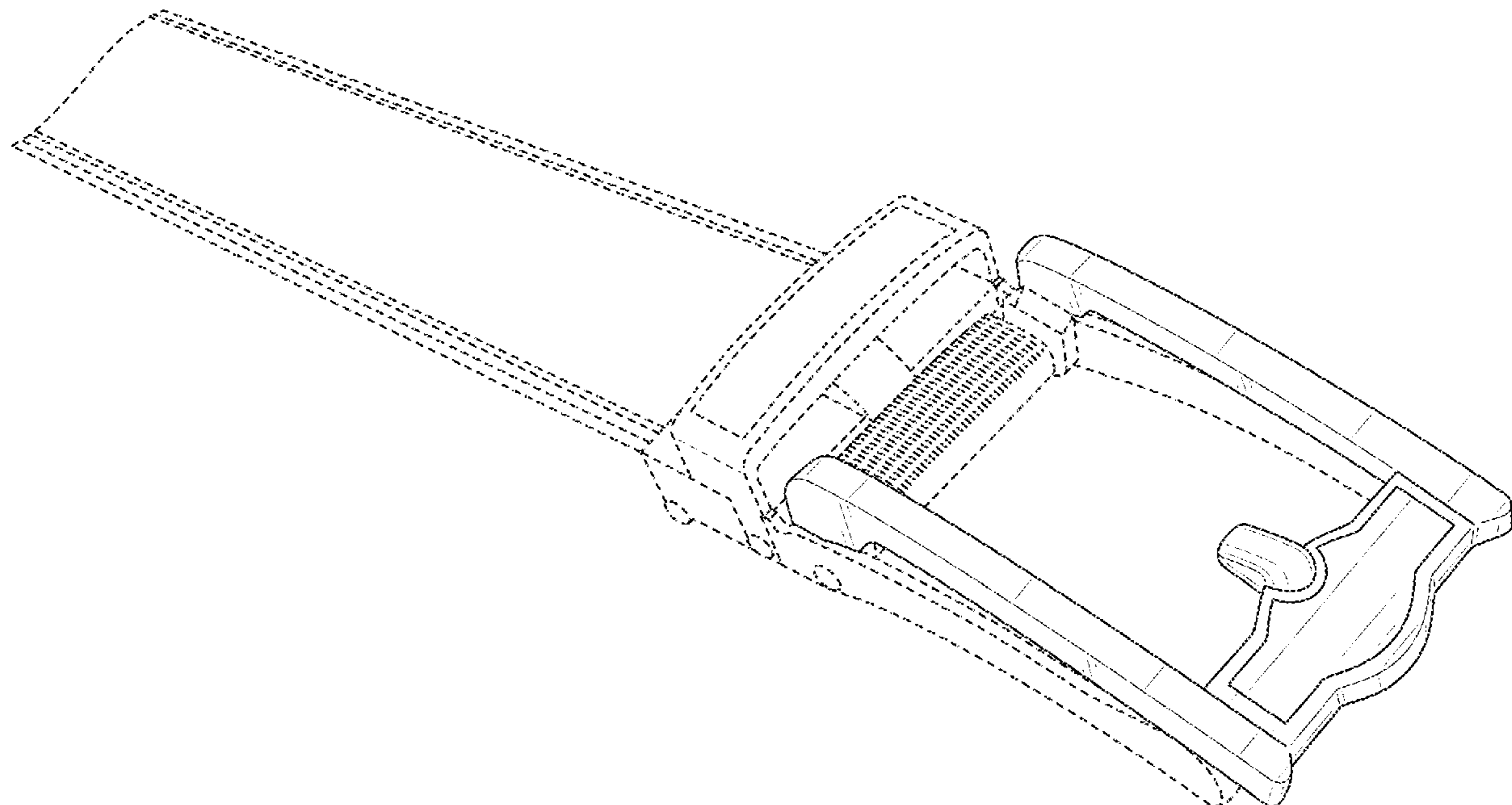
DESCRIPTION

FIG. 1 is a top perspective view of the buckle showing the present design.
FIG. 2 is a top plan view thereof.
FIG. 3 is a bottom plan view thereof.
FIG. 4 is a rear view thereof.
FIG. 5 is a front view thereof.
FIG. 6 is a right side view thereof; and,
FIG. 7 is a left side view thereof.
The portions of the design shown in broken lines being for the purpose of illustrating environment only and form no part of the claimed design.

(56) **References Cited**
U.S. PATENT DOCUMENTS

D471,328 S * 3/2003 Hanna D11/218
D479,812 S * 9/2003 Galvani D11/234
D526,098 S * 8/2006 Minella D30/143
D544,401 S * 6/2007 Fendi D11/234
D628,511 S * 12/2010 Wolfgang D11/94
D647,000 S * 10/2011 Kerker D11/234
D710,251 S * 8/2014 Mariner D11/234
D723,422 S * 3/2015 Gueit D11/234

1 Claim, 5 Drawing Sheets



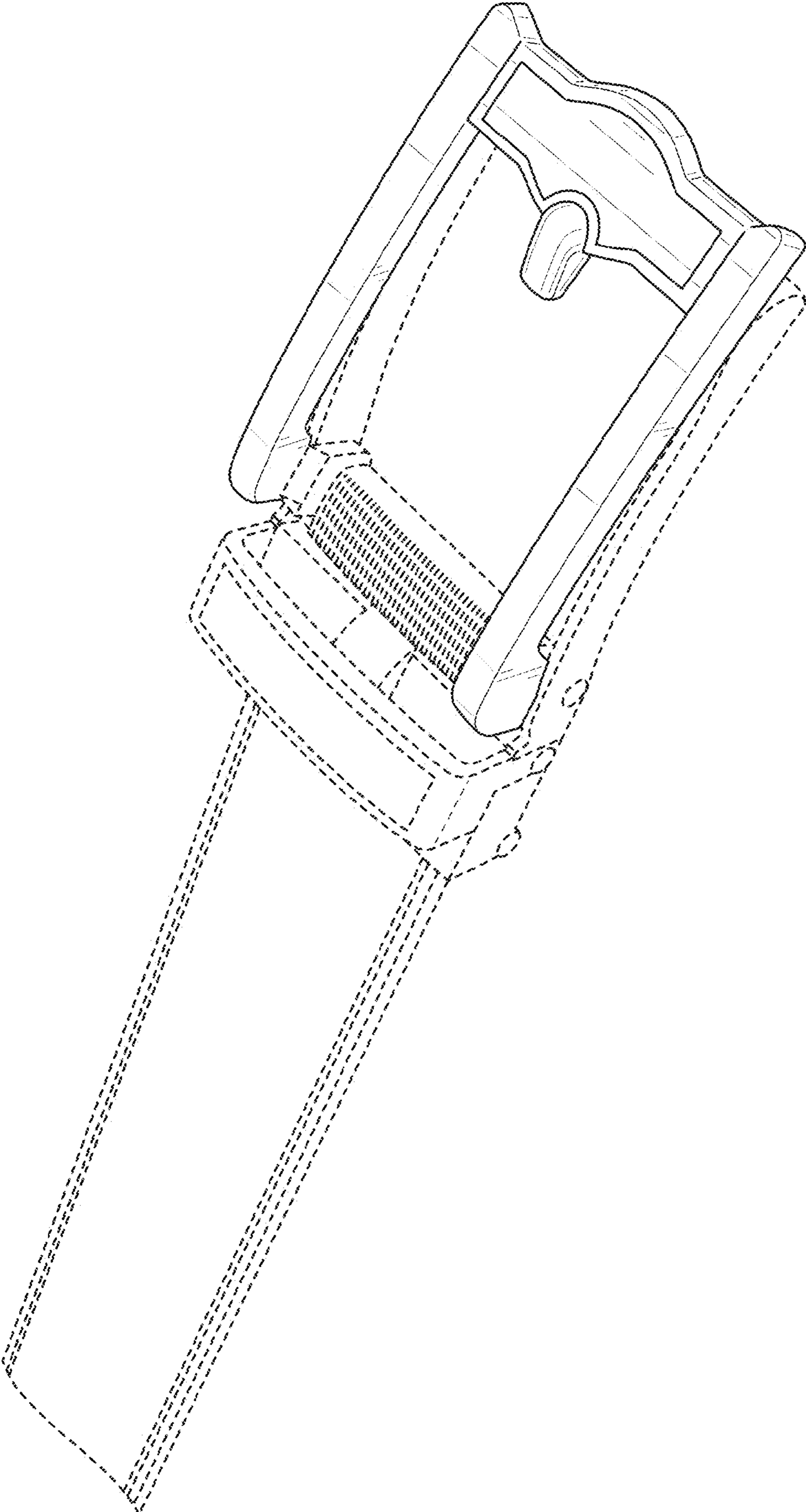


FIG. 1

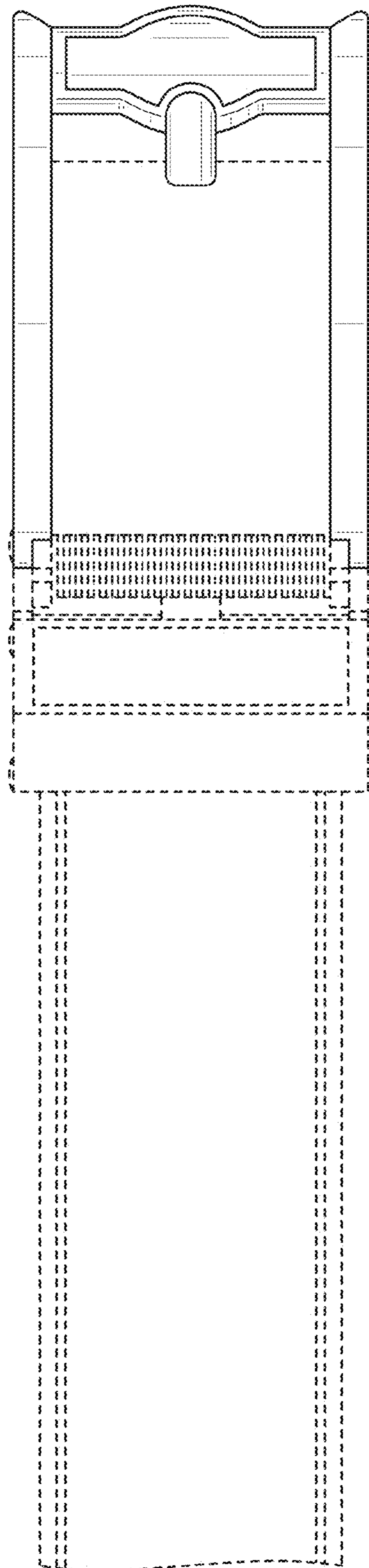


FIG. 2

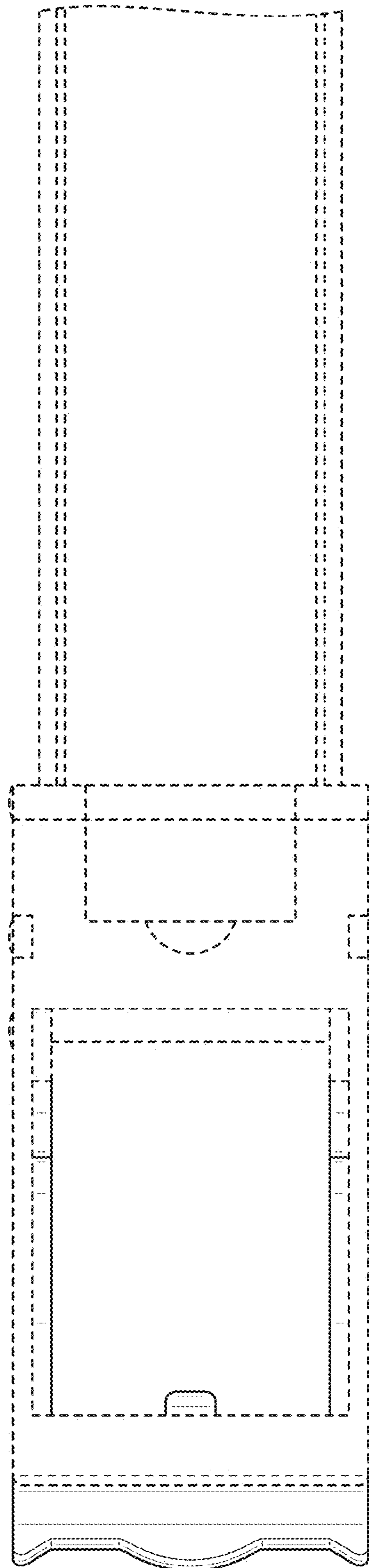


FIG. 3

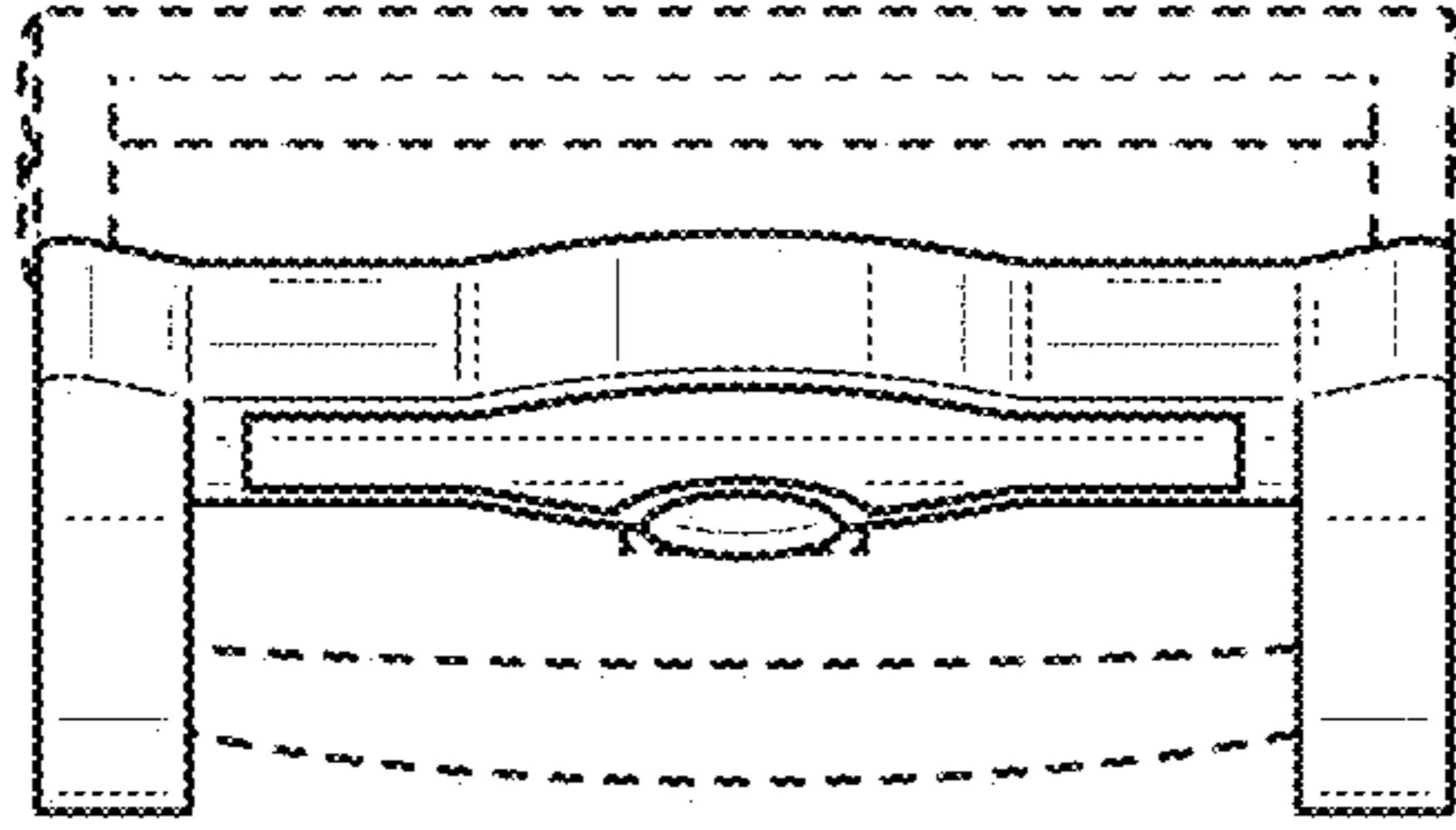


FIG. 5

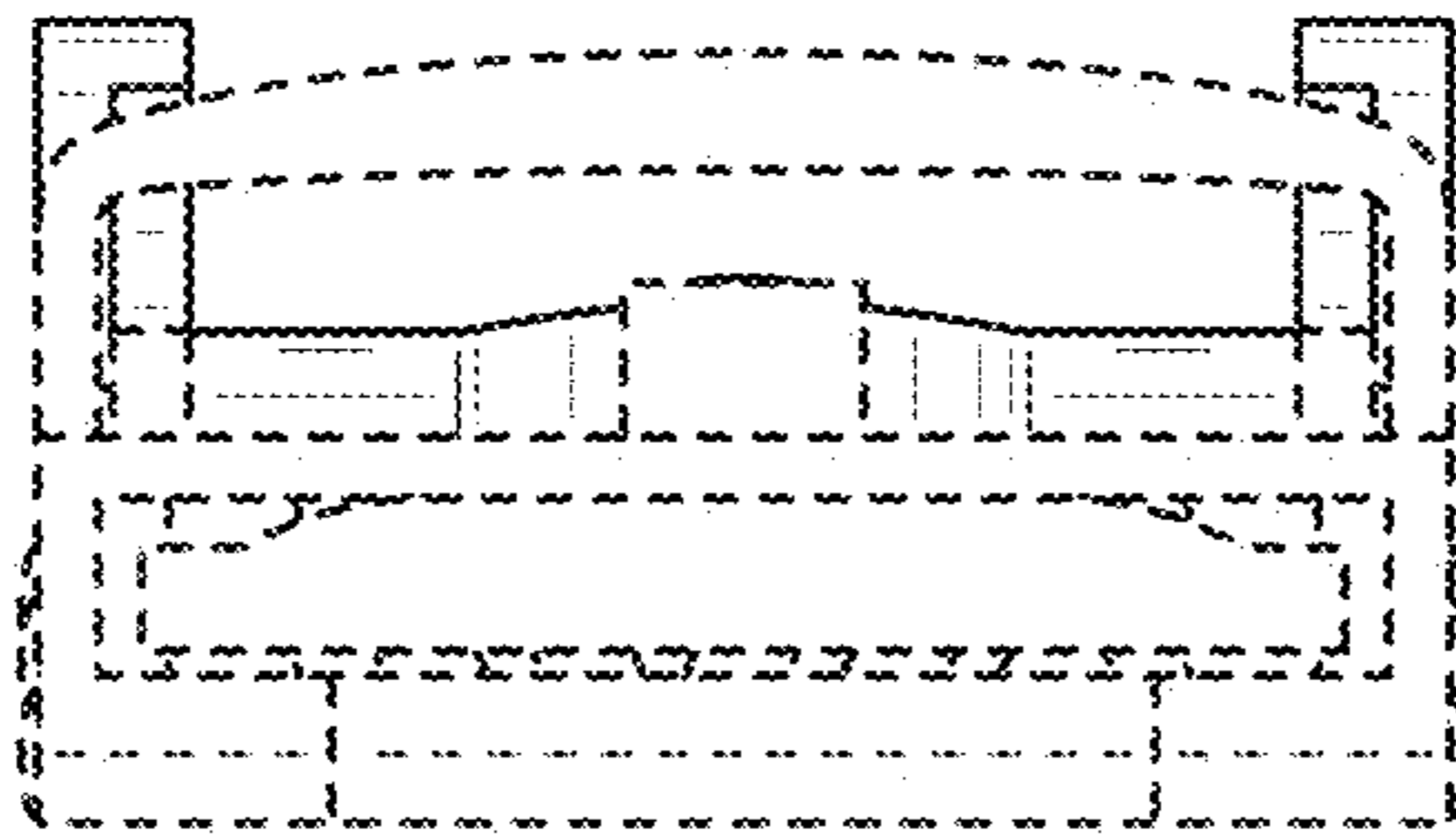


FIG. 4

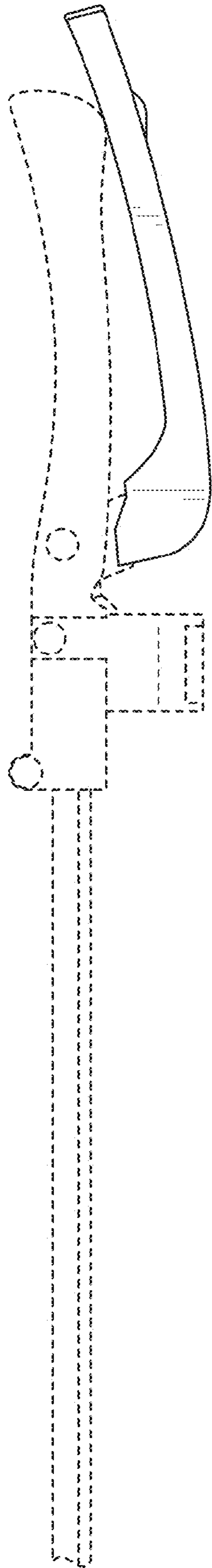


FIG. 6

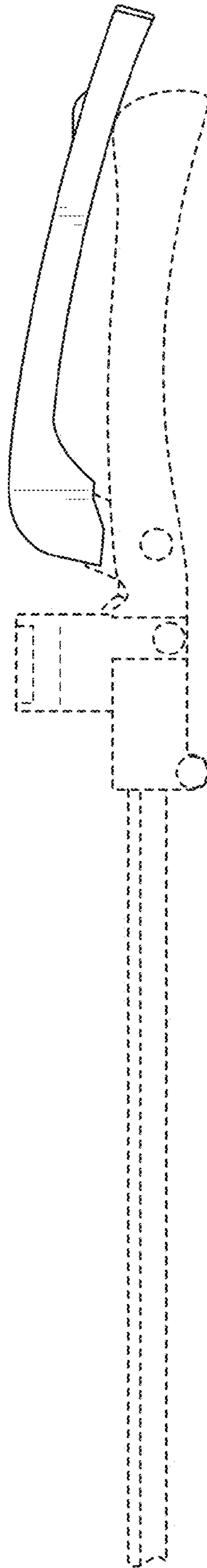


FIG. 7