

US00D932364S

(12) **United States Design Patent** (10) **Patent No.:** **US D932,364 S**  
**Goh** (45) **Date of Patent:** **\*\* Oct. 5, 2021**

(54) **POSABLE PLAYER CARD FIGURINE**  
(71) Applicant: **Peter Howe Shiang Goh**, North Perth (AU)  
(72) Inventor: **Peter Howe Shiang Goh**, North Perth (AU)  
(\*\*) Term: **15 Years**  
(21) Appl. No.: **29/741,142**  
(22) Filed: **Jul. 9, 2020**  
(51) **LOC (13) Cl.** ..... **11-02**  
(52) **U.S. Cl.**  
USPC ..... **D11/160; D21/479; D21/621**  
(58) **Field of Classification Search**  
USPC ..... D11/131, 134, 141, 142, 157, 158, 160; D21/386, 576, 585, 594, 635, 780, 788, D21/479, 621; D20/24, 25, 31; D19/8  
CPC ..... G09F 1/08; G09F 19/08; A63B 69/0071; A63H 13/04; A63H 3/46  
See application file for complete search history.

D327,723 S \* 7/1992 Vetterlein ..... D21/635  
D338,698 S \* 8/1993 Vetterlein ..... D21/635  
5,333,865 A \* 8/1994 Holmes ..... A63B 63/08  
273/247  
5,527,185 A \* 6/1996 Davis ..... A63B 69/34  
434/247  
5,681,041 A \* 10/1997 Coon ..... A63F 9/12  
273/157 R  
5,836,803 A \* 11/1998 Hamlin ..... A63H 13/04  
446/379  
D403,359 S \* 12/1998 Dahl ..... D20/31  
D406,620 S \* 3/1999 Everdell ..... D21/478  
D414,815 S \* 10/1999 McDonald ..... D20/31  
D420,064 S \* 2/2000 Poirier ..... D21/578  
D434,081 S \* 11/2000 Gruber ..... D20/31  
(Continued)

**FOREIGN PATENT DOCUMENTS**

GB 6068697 \* 8/2019  
*Primary Examiner* — W. A. Teddy Falloway  
(74) *Attorney, Agent, or Firm* — Pharar Patents & Intellectual Property; Andrew A. Pharar

(57) **CLAIM**

The ornamental design for a posable player card figurine, as shown and described.

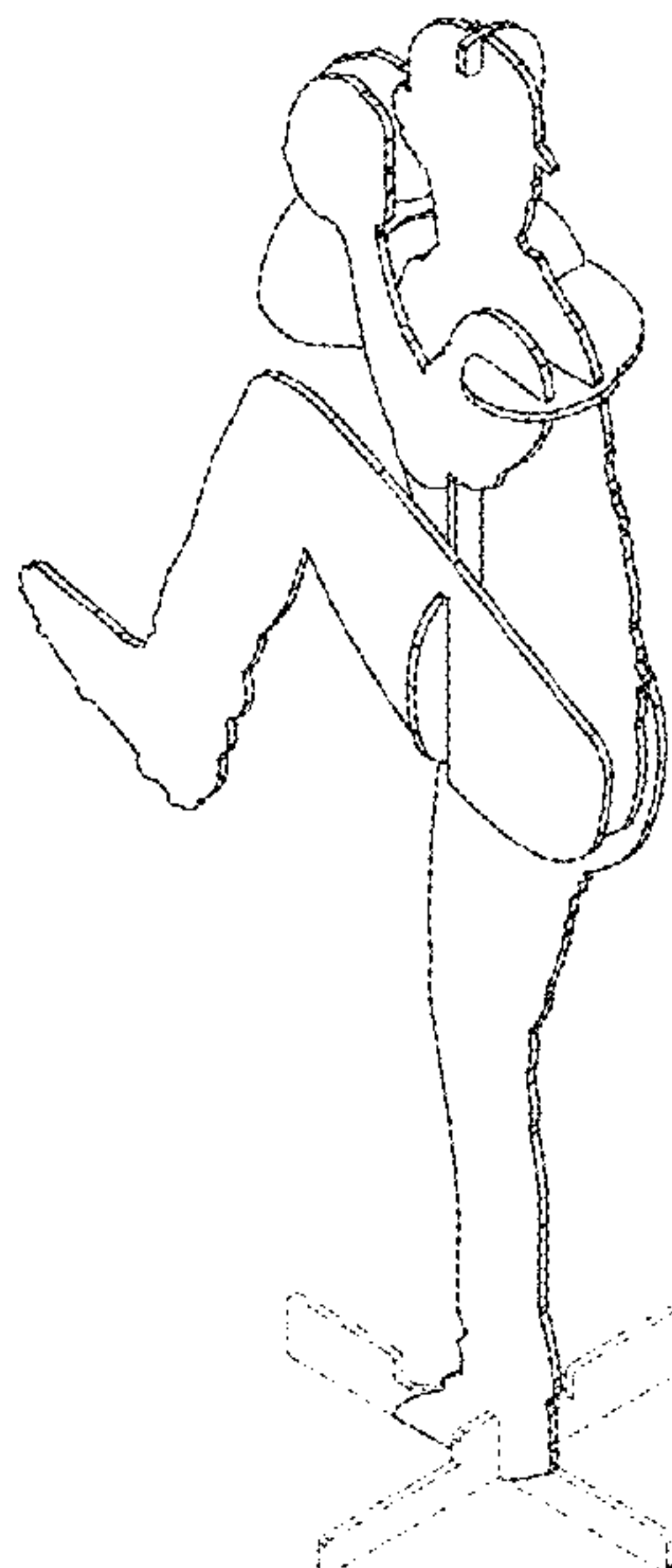
**DESCRIPTION**

FIG. 1 is a front perspective view of a posable player card figurine;  
FIG. 2 is a right side elevation view thereof;  
FIG. 3 is a left side elevation view thereof;  
FIG. 4 is a front elevation view thereof;  
FIG. 5 is a rear elevation view thereof;  
FIG. 6 is a top plan view thereof; and,  
FIG. 7 is a bottom plan view thereof.  
The broken lines in the figures depict environmental subject matter and form no part of the claimed design.

**1 Claim, 7 Drawing Sheets**

(56) **References Cited**  
U.S. PATENT DOCUMENTS

D223,164 S \* 3/1972 Meth et al. .... D21/611  
3,675,921 A \* 7/1972 Meyers, Sr. .... A63B 69/0071  
473/448  
D233,238 S \* 10/1974 Reid et al. .... D19/62  
D257,369 S \* 10/1980 Kodaka ..... D21/615  
D268,656 S \* 4/1983 Kodaka ..... D11/162  
D268,657 S \* 4/1983 Kodaka ..... D11/162  
D268,823 S \* 5/1983 Kodaka ..... D11/158  
D268,824 S \* 5/1983 Kodaka ..... D11/158  
D268,827 S \* 5/1983 Kodaka ..... D11/162  
D271,479 S \* 11/1983 Kodaka ..... D11/162  
D272,812 S \* 2/1984 Kodaka ..... D11/162  
D272,893 S \* 3/1984 Kodaka ..... D11/158  
D272,894 S \* 3/1984 Kodaka ..... D11/158  
D283,148 S \* 3/1986 Coyne ..... D20/31  
D316,876 S \* 5/1991 Heseltine ..... D20/31



(56)

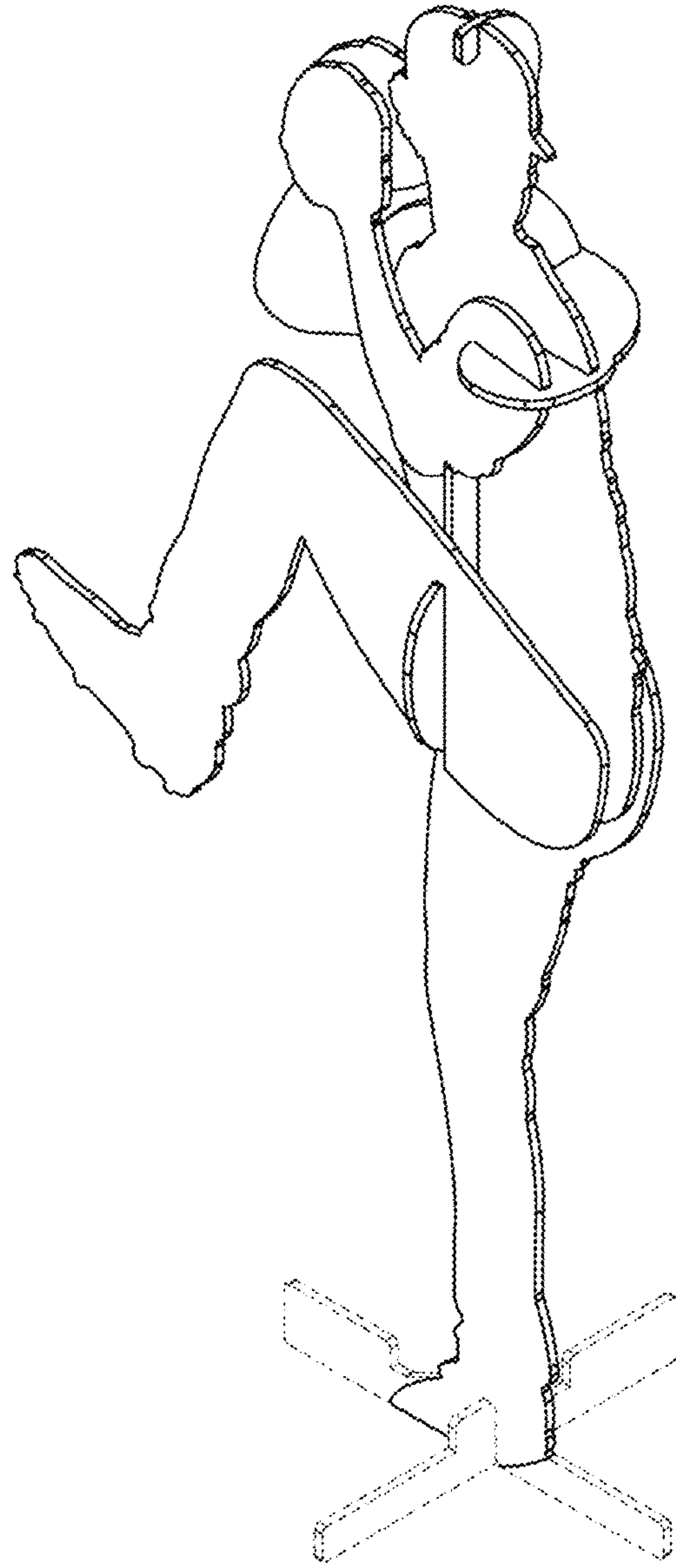
References Cited

U.S. PATENT DOCUMENTS

6,418,879 B1 \* 7/2002 Reiman ..... A01K 15/02  
 119/52.3  
 D462,999 S \* 9/2002 Evans ..... D20/31  
 D466,235 S \* 11/2002 Orner ..... D26/13  
 6,601,326 B1 \* 8/2003 Bublitz ..... G09F 19/08  
 223/66  
 D483,292 S \* 12/2003 Hostetter ..... D10/59  
 6,769,206 B2 \* 8/2004 Olson ..... G09F 1/08  
 248/459  
 6,920,710 B2 \* 7/2005 Murphy ..... G09F 1/08  
 40/421  
 D516,629 S \* 3/2006 McDonald ..... D20/31  
 D539,373 S \* 3/2007 Cook ..... D21/781  
 7,380,360 B2 \* 6/2008 Evans ..... G09F 1/08  
 116/63 P  
 D594,776 S \* 6/2009 Teshome ..... D11/160  
 D607,075 S \* 12/2009 McDonald ..... D20/31  
 D630,283 S \* 1/2011 Elder ..... D21/780  
 D643,078 S \* 8/2011 McDonald ..... D21/698

D650,444 S \* 12/2011 Farver ..... D20/31  
 D658,242 S \* 4/2012 McDonald ..... D21/698  
 D686,106 S \* 7/2013 Jordan ..... D11/160  
 D691,210 S \* 10/2013 Hardy ..... D20/33  
 D696,730 S \* 12/2013 Tanous ..... A63H 27/00  
 D21/438  
 D732,999 S \* 6/2015 Siegel ..... D11/160  
 D735,603 S \* 8/2015 Siegel ..... D11/160  
 D745,927 S \* 12/2015 Hardy ..... D20/32  
 D813,713 S \* 3/2018 Williams ..... D11/87  
 D814,335 S \* 4/2018 Williams ..... D11/87  
 9,931,555 B1 \* 4/2018 McCoy ..... A63B 69/0071  
 D839,964 S \* 2/2019 Hallen ..... D21/386  
 10,279,732 B2 \* 5/2019 Clay ..... B60Q 1/46  
 D896,499 S \* 9/2020 Deener, Jr. .... D3/4  
 D903,296 S \* 12/2020 Deener, Jr. .... D3/4  
 D909,503 S \* 2/2021 Caissy ..... D21/699  
 D917,338 S \* 4/2021 Goh ..... D11/160  
 D921,768 S \* 6/2021 Chen ..... D21/479  
 D921,769 S \* 6/2021 Chen ..... D21/479  
 2004/0160011 A1 \* 8/2004 Fitzgerald ..... A63F 7/0612  
 273/317.3

\* cited by examiner



**FIG. 1**

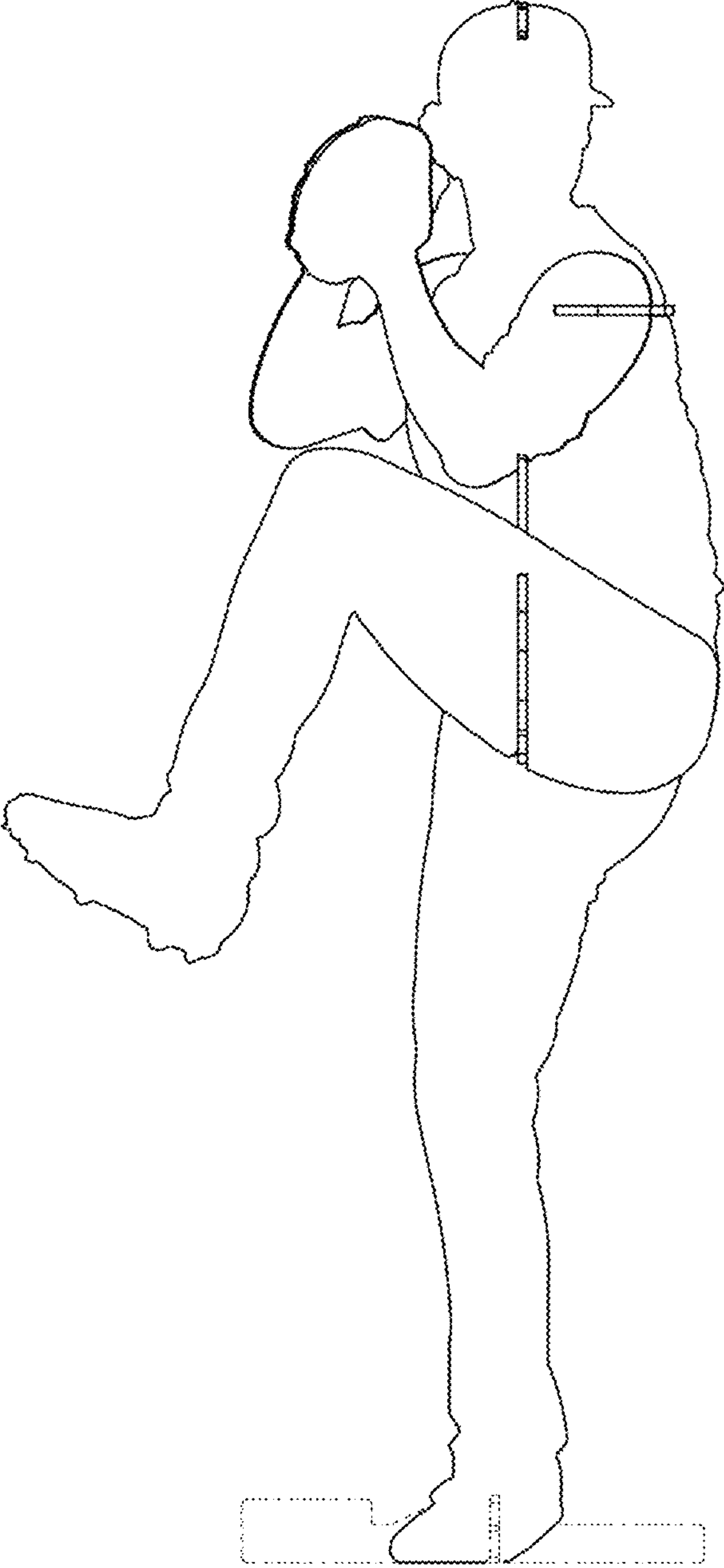


FIG. 2

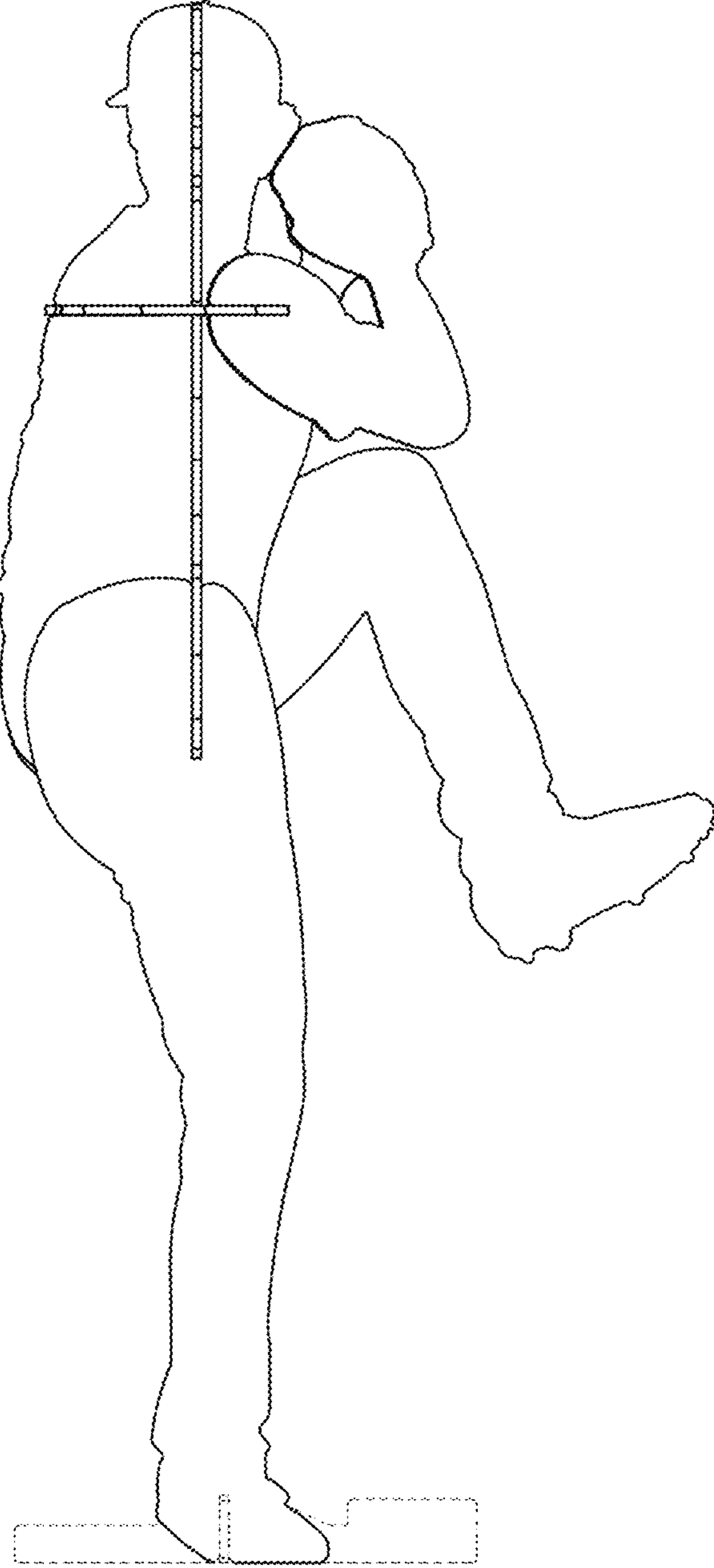


FIG. 3

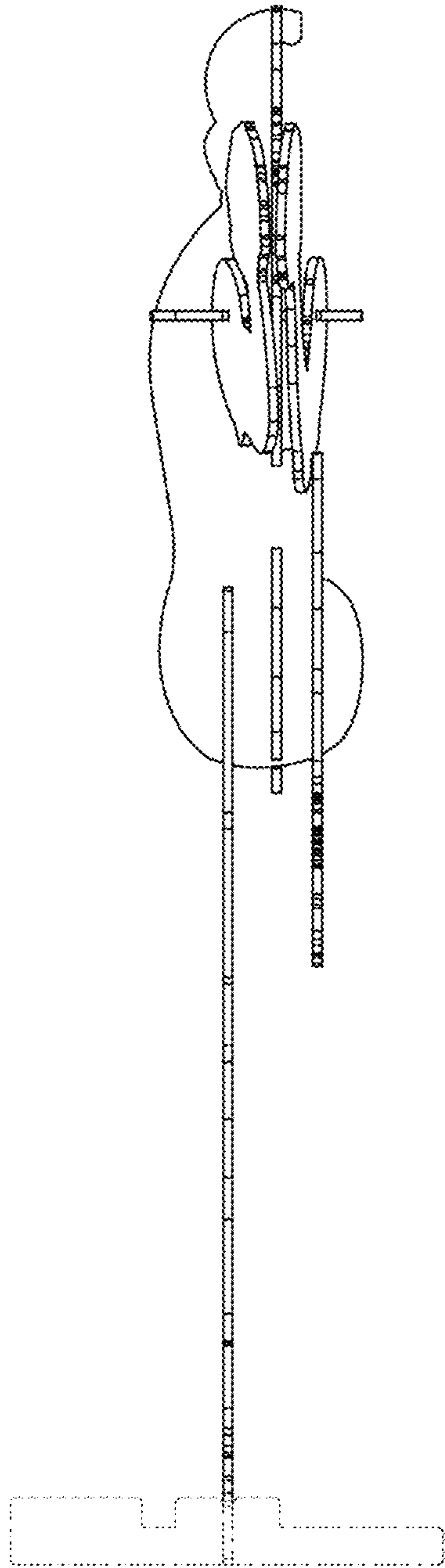


FIG. 4



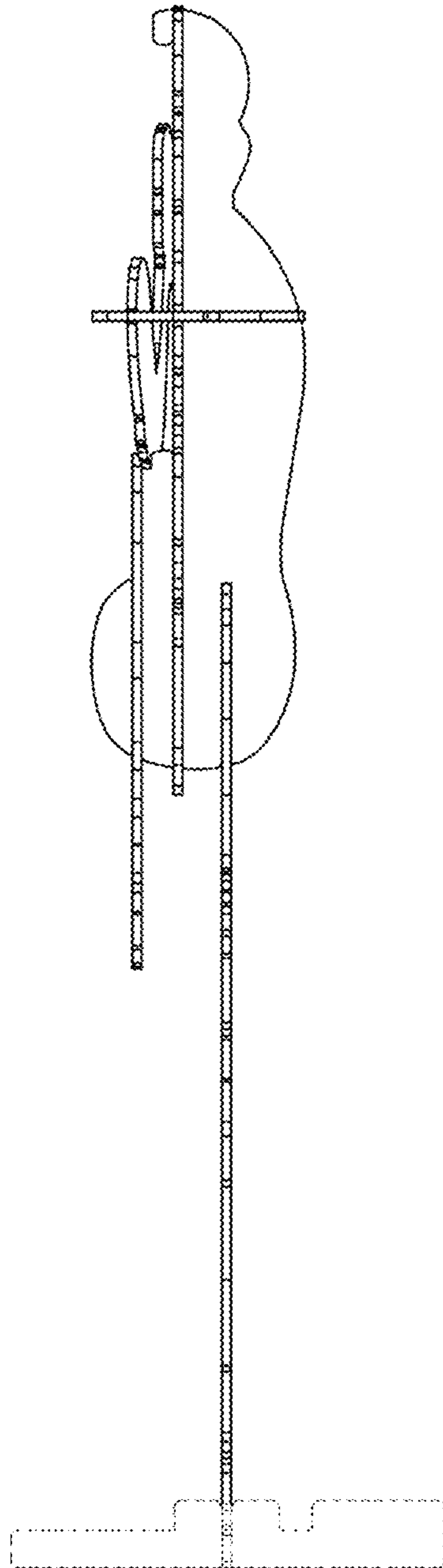


FIG. 5

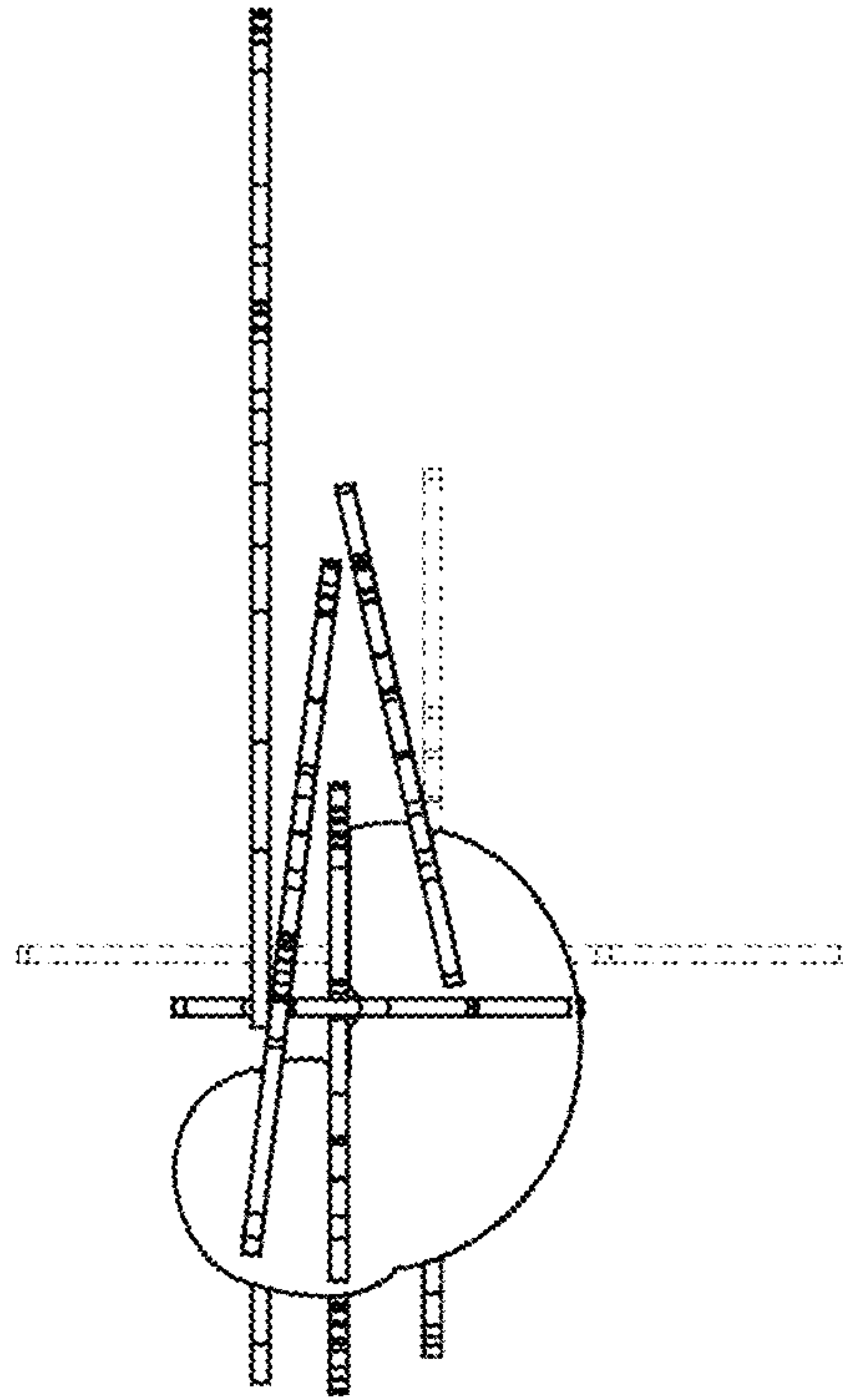


FIG. 6



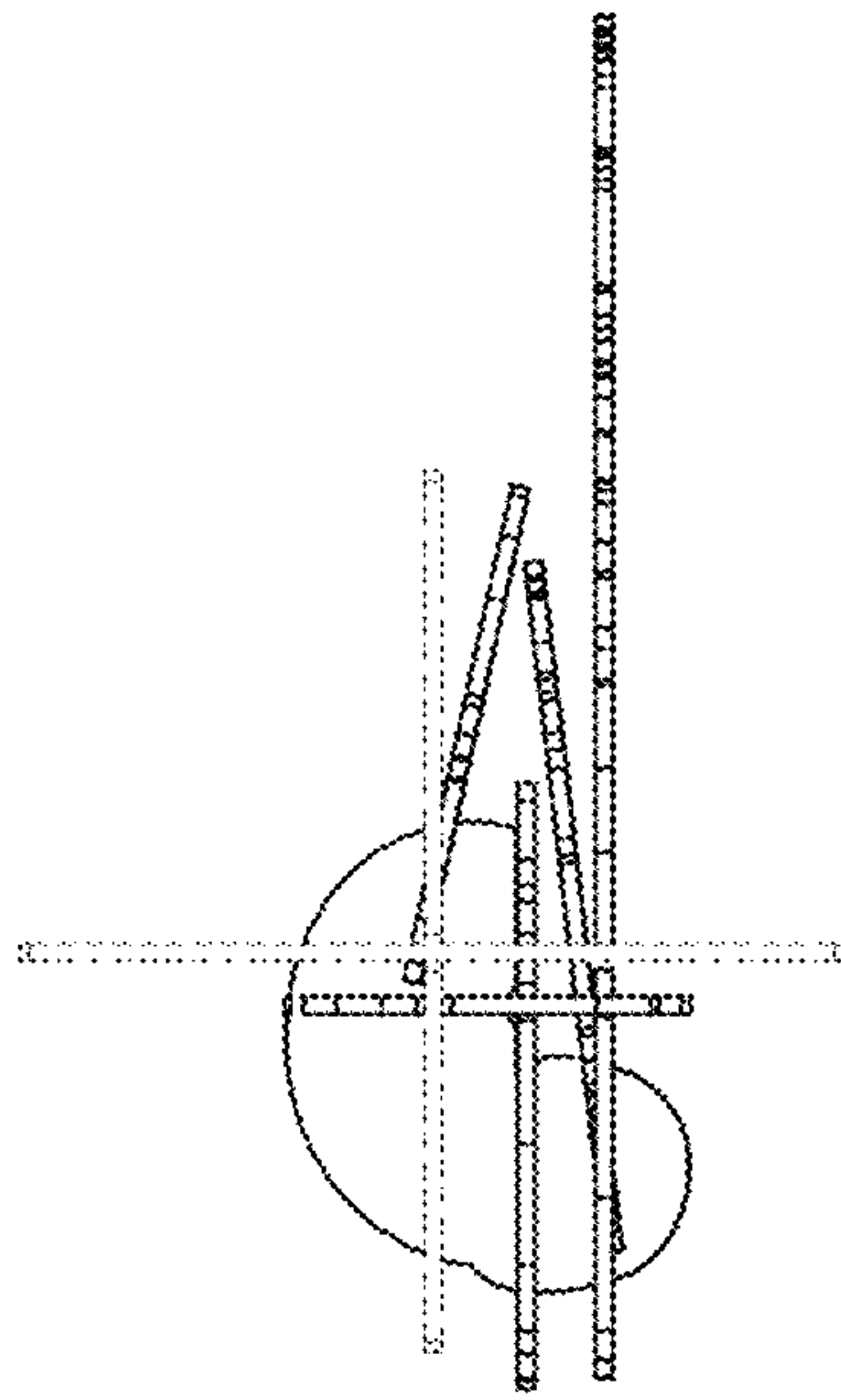


FIG. 7