



US00D932361S

(12) **United States Design Patent** (10) **Patent No.:** **US D932,361 S**
Goh (45) **Date of Patent:** **** Oct. 5, 2021**

(54) **POSABLE PLAYER CARD FIGURINE**
(71) Applicant: **Peter Howe Shiang Goh**, North Perth (AU)
(72) Inventor: **Peter Howe Shiang Goh**, North Perth (AU)
(**) Term: **15 Years**
(21) Appl. No.: **29/741,139**
(22) Filed: **Jul. 9, 2020**
(51) **LOC (13) Cl.** **11-02**
(52) **U.S. Cl.**
USPC **D11/160; D21/479; D21/621**
(58) **Field of Classification Search**
USPC D11/131, 134, 141, 142, 157, 158, 160;
D21/386, 576, 585, 594, 635, 780, 788,
D21/479, 621; D20/24, 25, 31; D19/8
CPC G09F 1/08; G09F 19/08; A63B 69/0071;
A63H 13/04; A63H 3/46
See application file for complete search history.

D327,723 S * 7/1992 Vetterlein D21/635
D338,698 S * 8/1993 Vetterlein D21/635
5,333,865 A * 8/1994 Holmes A63B 63/08
273/247
5,527,185 A * 6/1996 Davis A63B 69/34
434/247
5,681,041 A * 10/1997 Coon A63F 9/12
273/157 R
5,836,803 A * 11/1998 Hamlin A63H 13/04
446/379
D403,359 S * 12/1998 Dahl D20/31
D406,620 S * 3/1999 Everdell D21/478
D414,815 S * 10/1999 McDonald D20/31
D420,064 S * 2/2000 Poirier D21/578
D434,081 S * 11/2000 Gruber D20/31
(Continued)

FOREIGN PATENT DOCUMENTS

GB 6068697 * 8/2019
Primary Examiner — W. A. Teddy Falloway
(74) *Attorney, Agent, or Firm* — Pharar Patents & Intellectual Property; Andrew A. Pharar

(57) **CLAIM**

The ornamental design for a posable player card figurine, as shown and described.

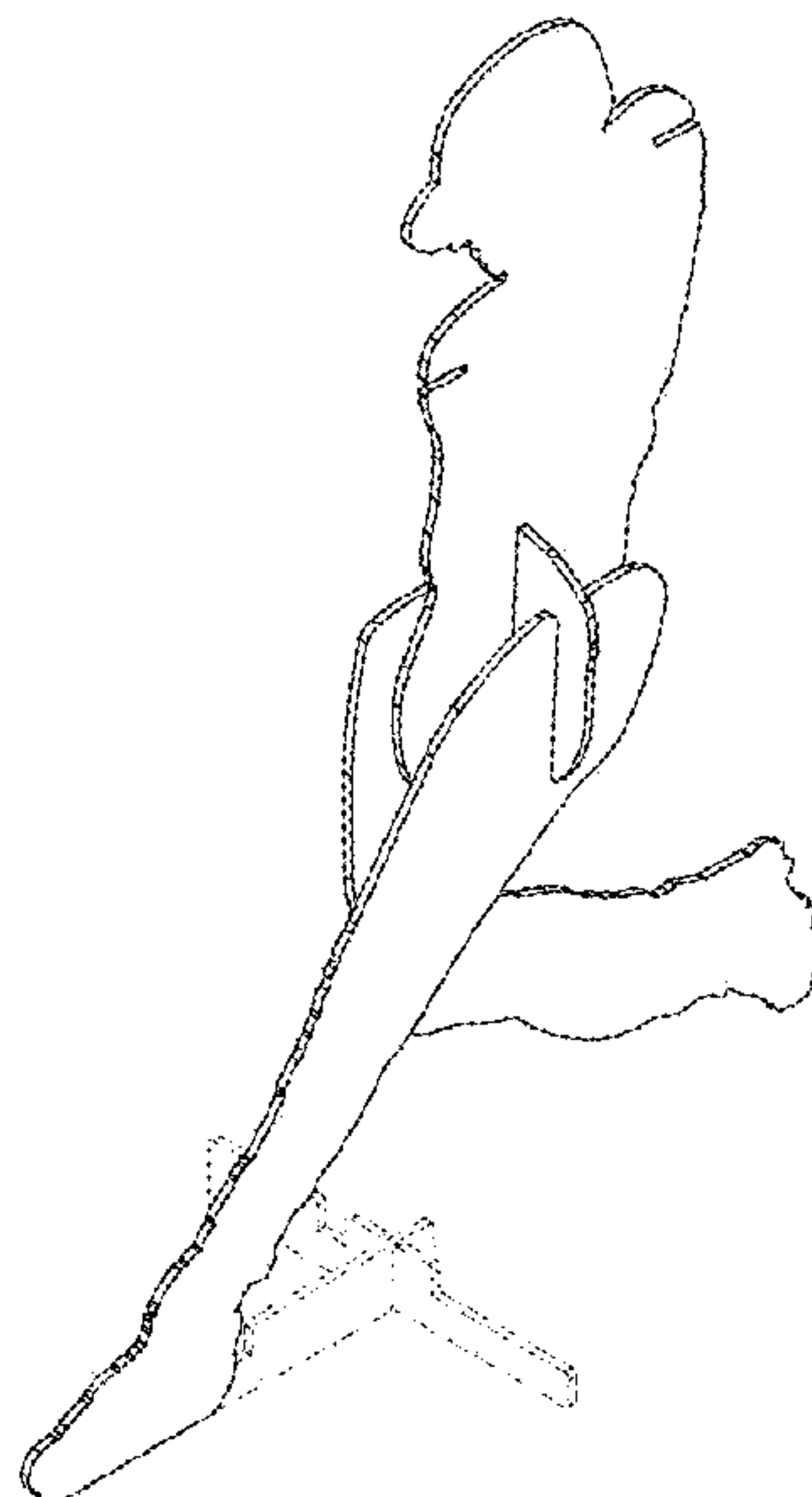
DESCRIPTION

FIG. 1 is a front perspective view of a posable player card figurine;
FIG. 2 is a right side elevation view thereof;
FIG. 3 is a left side elevation view thereof;
FIG. 4 is a front elevation view thereof;
FIG. 5 is a rear elevation view thereof;
FIG. 6 is a top plan view thereof; and,
FIG. 7 is a bottom plan view thereof.
The broken lines in the figures depict environmental subject matter and form no part of the claimed design.

1 Claim, 7 Drawing Sheets

(56) **References Cited**
U.S. PATENT DOCUMENTS

D223,164 S * 3/1972 Meth et al. D21/611
3,675,921 A * 7/1972 Meyers, Sr. A63B 69/0071
473/448
D233,238 S * 10/1974 Reid et al. D19/62
D257,369 S * 10/1980 Kodaka D21/615
D268,656 S * 4/1983 Kodaka D11/162
D268,657 S * 4/1983 Kodaka D11/162
D268,823 S * 5/1983 Kodaka D11/158
D268,824 S * 5/1983 Kodaka D11/158
D268,827 S * 5/1983 Kodaka D11/162
D271,479 S * 11/1983 Kodaka D11/162
D272,812 S * 2/1984 Kodaka D11/162
D272,893 S * 3/1984 Kodaka D11/158
D272,894 S * 3/1984 Kodaka D11/158
D283,148 S * 3/1986 Coyne D20/31
D316,876 S * 5/1991 Heseltine D20/31



(56)

References Cited

U.S. PATENT DOCUMENTS

6,418,879 B1 * 7/2002 Reiman A01K 15/02
 119/52.3
 D462,999 S * 9/2002 Evans D20/31
 D466,235 S * 11/2002 Orner D26/13
 6,601,326 B1 * 8/2003 Bublitz G09F 19/08
 223/66
 D483,292 S * 12/2003 Hostetter D10/59
 6,769,206 B2 * 8/2004 Olson G09F 1/08
 248/459
 6,920,710 B2 * 7/2005 Murphy G09F 1/08
 40/421
 D516,629 S * 3/2006 McDonald D20/31
 D539,373 S * 3/2007 Cook D21/781
 7,380,360 B2 * 6/2008 Evans G09F 1/08
 116/63 P
 D594,776 S * 6/2009 Teshome D11/160
 D607,075 S * 12/2009 McDonald D20/31
 D630,283 S * 1/2011 Elder D21/780
 D643,078 S * 8/2011 McDonald D21/698

D650,444 S * 12/2011 Farver D20/31
 D658,242 S * 4/2012 McDonald D21/698
 D686,106 S * 7/2013 Jordan D11/160
 D691,210 S * 10/2013 Hardy D20/33
 D696,730 S * 12/2013 Tanous A63H 27/00
 D21/438
 D732,999 S * 6/2015 Siegel D11/160
 D735,603 S * 8/2015 Siegel D11/160
 D745,927 S * 12/2015 Hardy D20/32
 D813,713 S * 3/2018 Williams D11/87
 D814,335 S * 4/2018 Williams D11/87
 9,931,555 B1 * 4/2018 McCoy A63B 69/0071
 D839,964 S * 2/2019 Hallen D21/386
 10,279,732 B2 * 5/2019 Clay B60Q 1/46
 D896,499 S * 9/2020 Deener, Jr. D3/4
 D903,296 S * 12/2020 Deener, Jr. D3/4
 D909,503 S * 2/2021 Caissy D21/699
 D917,338 S * 4/2021 Goh D11/160
 D921,768 S * 6/2021 Chen D21/479
 D921,769 S * 6/2021 Chen D21/479
 2004/0160011 A1 * 8/2004 Fitzgerald A63F 7/0612
 273/317.3

* cited by examiner

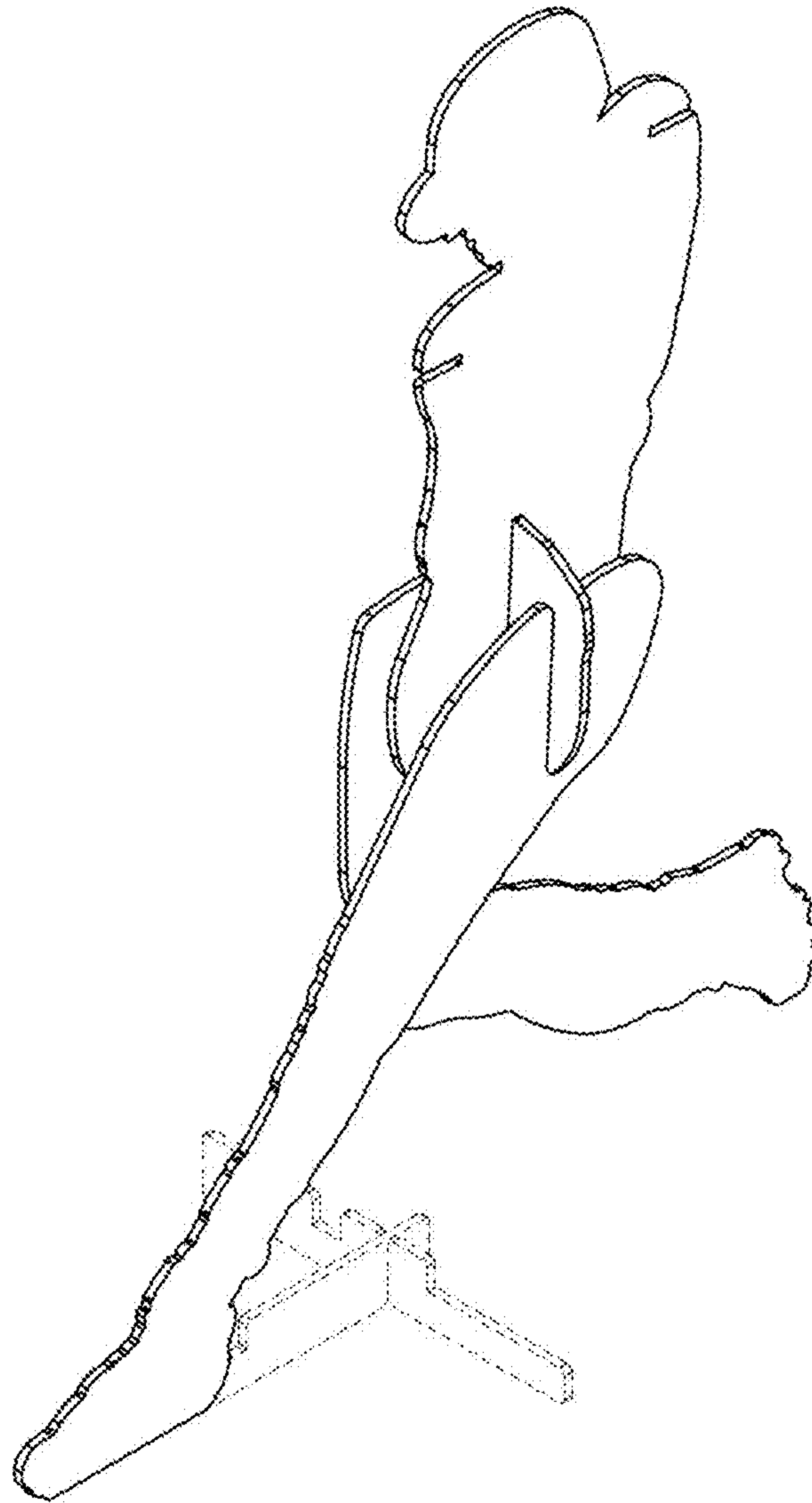


FIG. 1

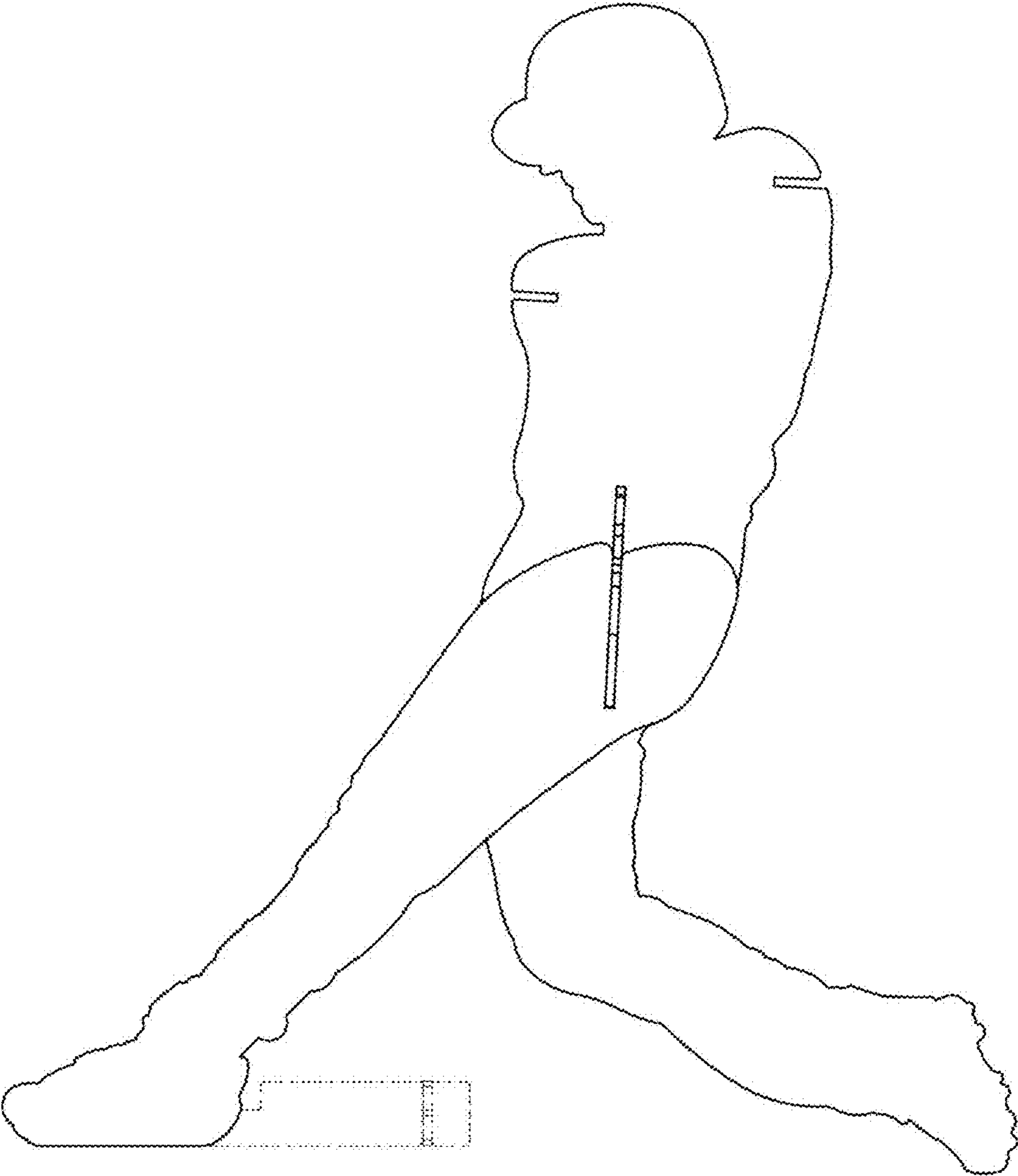


FIG. 2

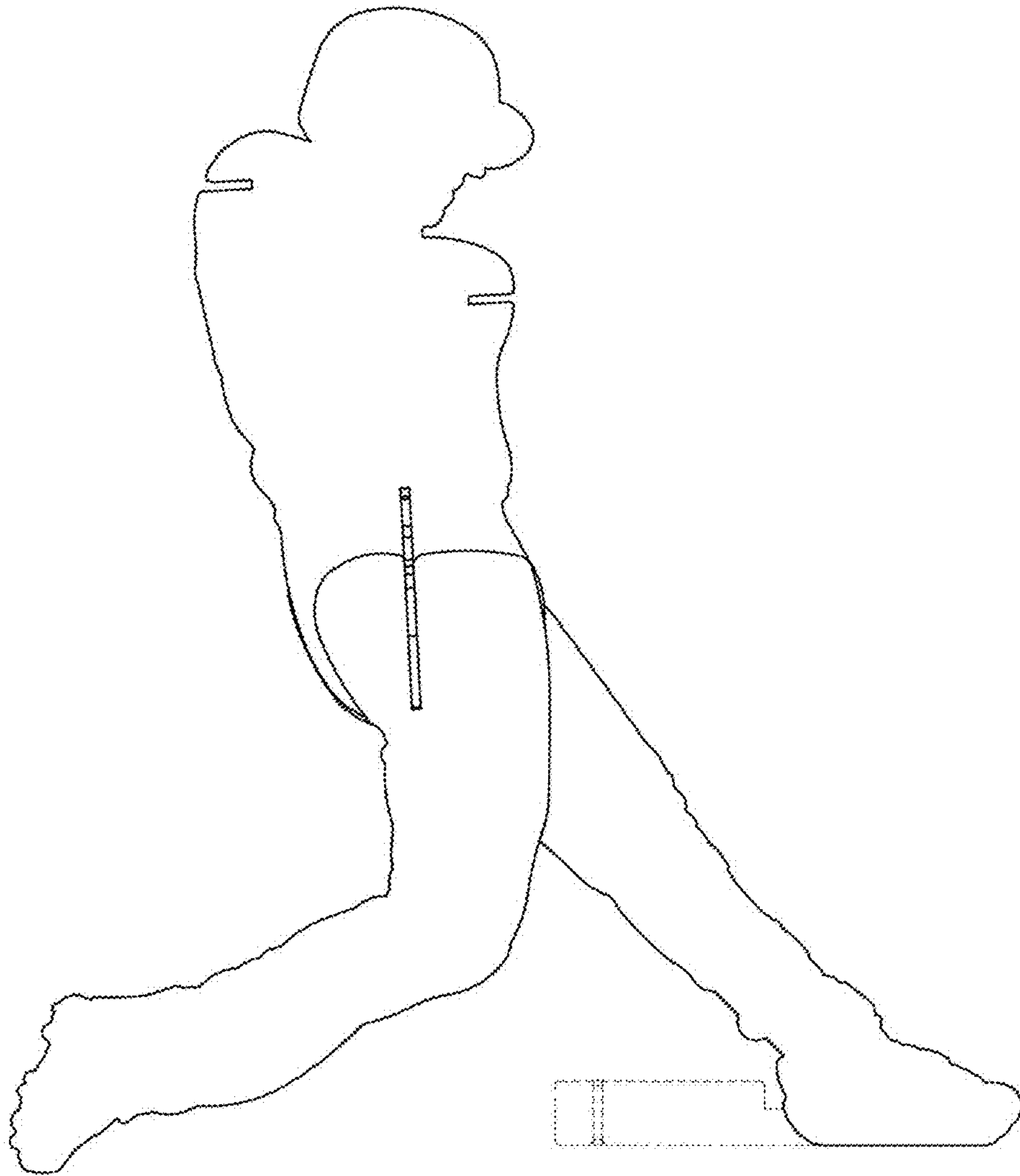


FIG. 3

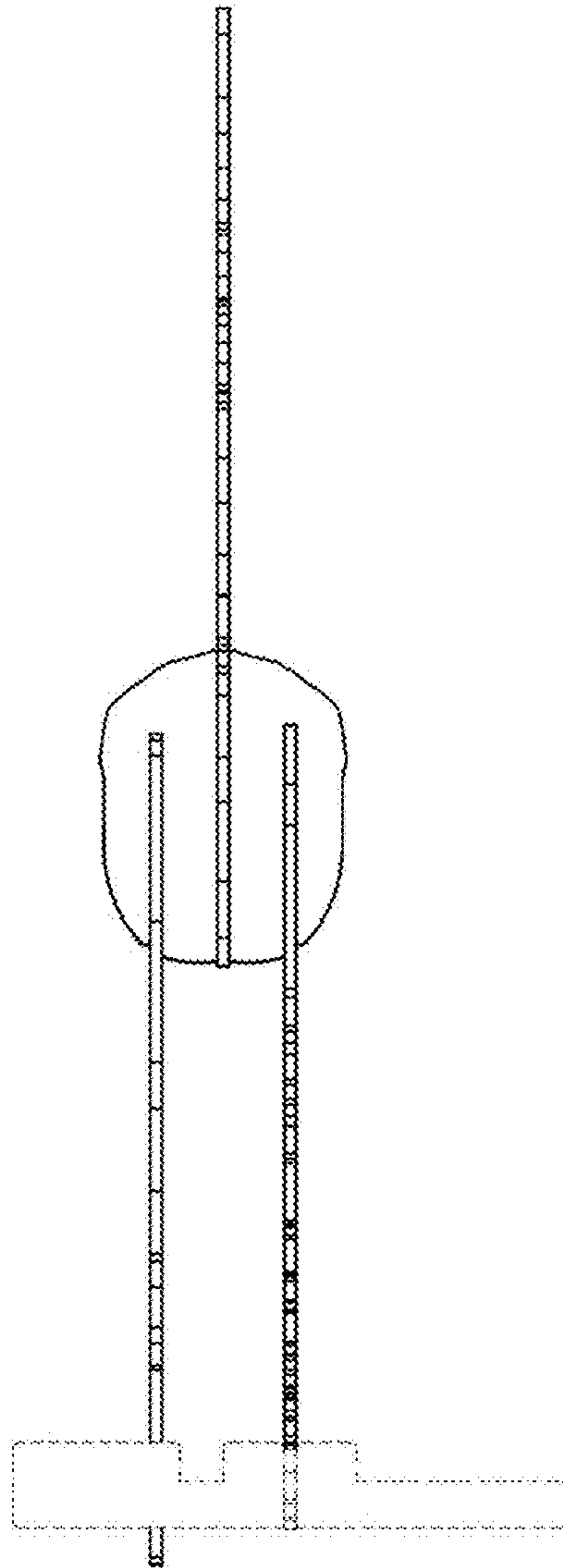


FIG. 4

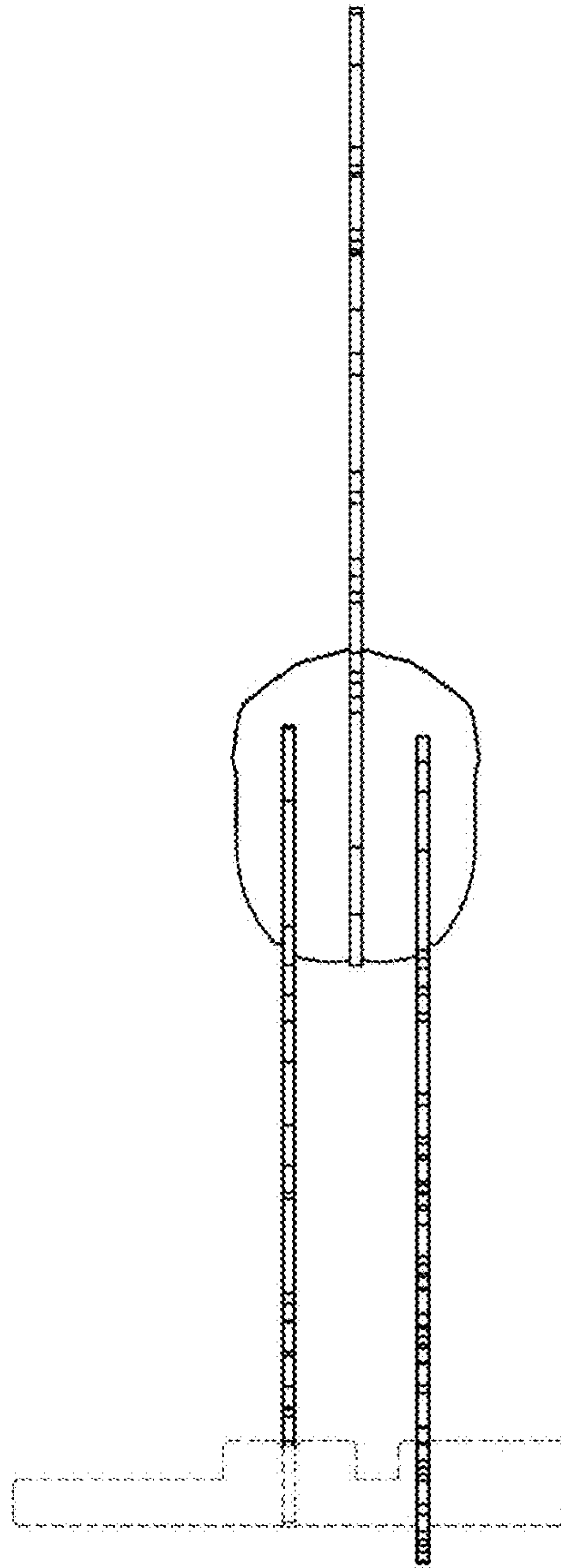


FIG. 5

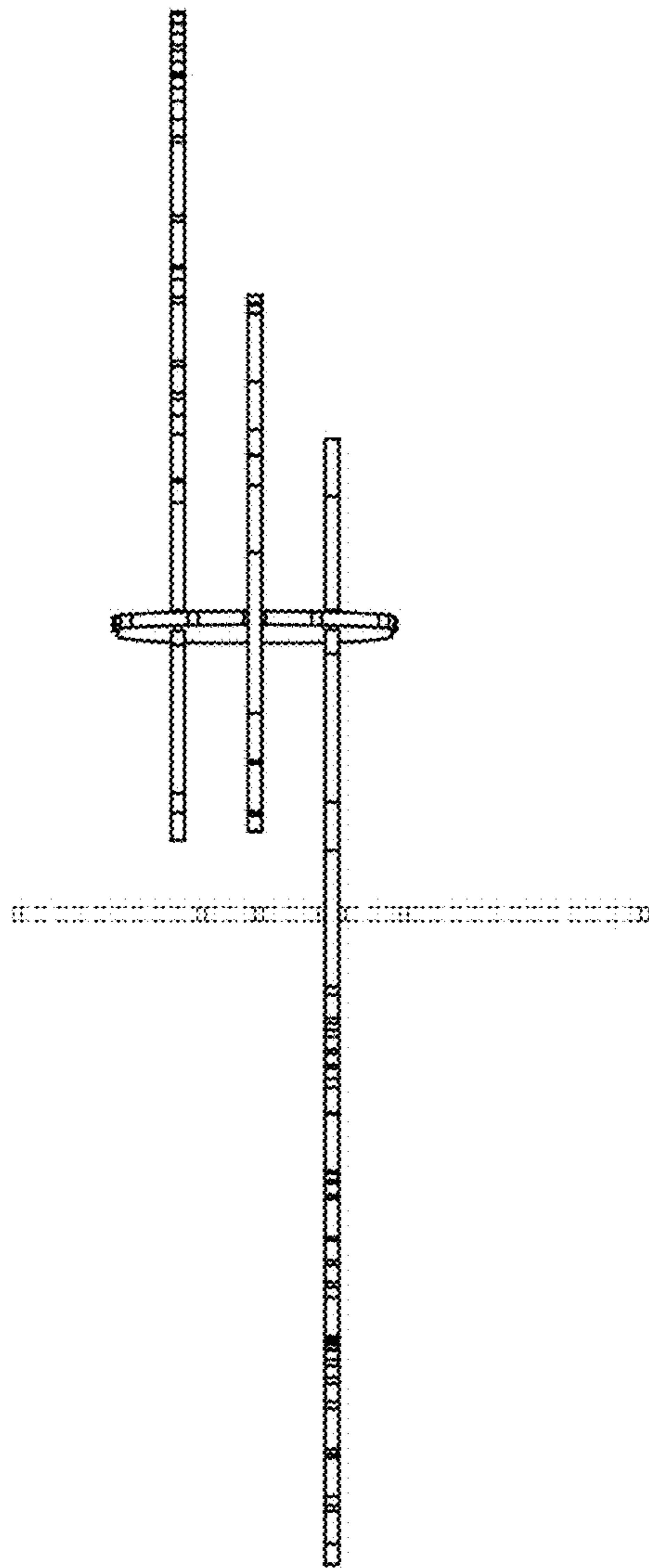


FIG. 6

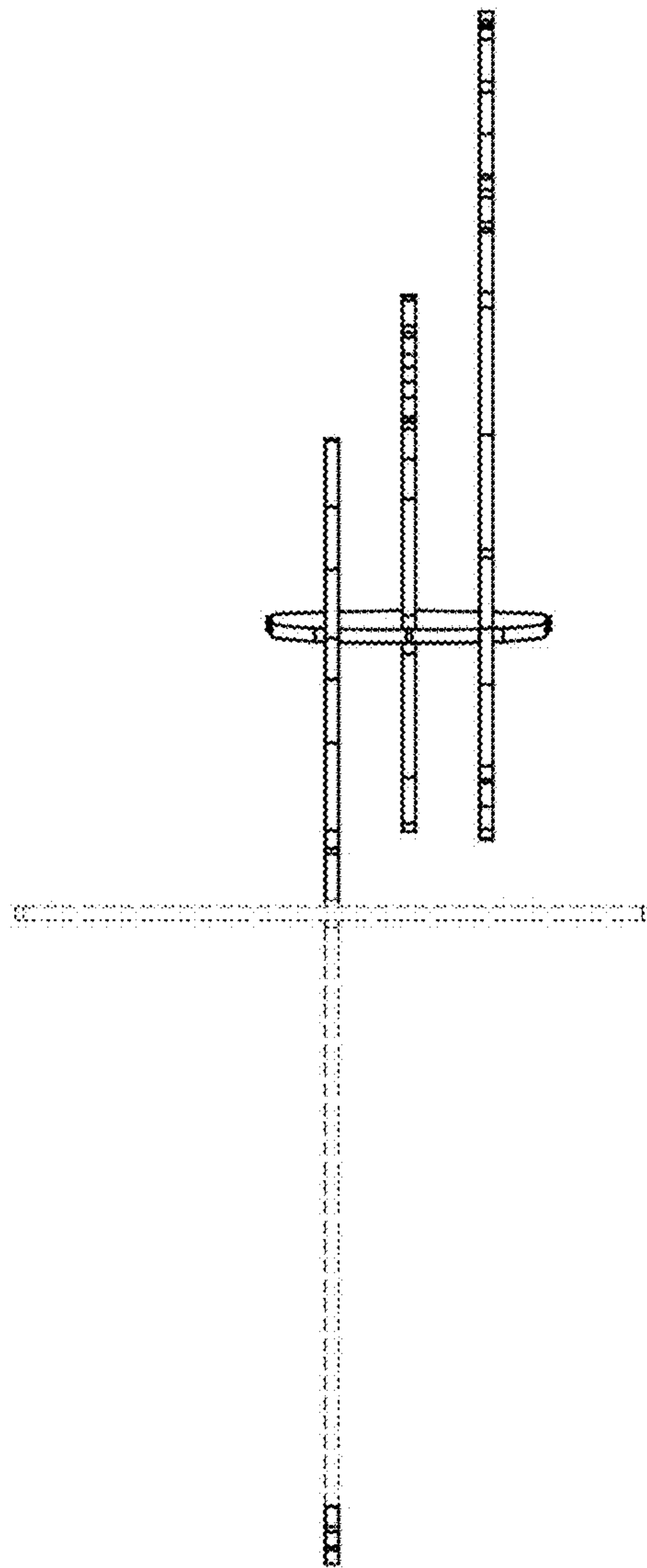


FIG. 7