



US00D932358S

(12) **United States Design Patent** (10) **Patent No.:** **US D932,358 S**  
**Goh** (45) **Date of Patent:** **\*\* Oct. 5, 2021**

(54) **POSABLE PLAYER CARD FIGURINE**  
(71) Applicant: **Peter Howe Shiang Goh**, North Perth (AU)  
(72) Inventor: **Peter Howe Shiang Goh**, North Perth (AU)  
(\*\*) Term: **15 Years**  
(21) Appl. No.: **29/741,136**  
(22) Filed: **Jul. 9, 2020**  
(51) **LOC (13) Cl.** ..... **11-02**  
(52) **U.S. Cl.**  
USPC ..... **D11/160; D21/479; D21/621**  
(58) **Field of Classification Search**  
USPC ..... D11/131, 134, 141, 142, 157, 158, 160;  
D21/386, 576, 585, 594, 635, 780, 788,  
D21/479, 621; D20/24, 25, 31; D19/8  
CPC ..... G09F 1/08; G09F 19/08; A63B 69/0071;  
A63H 13/04; A63H 3/46  
See application file for complete search history.

D327,723 S \* 7/1992 Vetterlein ..... D21/635  
D338,698 S \* 8/1993 Vetterlein ..... D21/635  
5,333,865 A \* 8/1994 Holmes ..... A63B 63/08  
273/247  
5,527,185 A \* 6/1996 Davis ..... A63B 69/34  
434/247  
5,681,041 A \* 10/1997 Coon ..... A63F 9/12  
273/157 R  
5,836,803 A \* 11/1998 Hamlin ..... A63H 13/04  
446/379  
D403,359 S \* 12/1998 Dahl ..... D20/31  
D406,620 S \* 3/1999 Everdell ..... D21/478  
D414,815 S \* 10/1999 McDonald ..... D20/31  
D420,064 S \* 2/2000 Poirier ..... D21/578  
D434,081 S \* 11/2000 Gruber ..... D20/31  
(Continued)

**FOREIGN PATENT DOCUMENTS**

GB 6068697 \* 8/2019  
*Primary Examiner* — W. A. Teddy Falloway  
(74) *Attorney, Agent, or Firm* — Pharar Patents & Intellectual Property; Andrew A. Pharar

(57) **CLAIM**

The ornamental design for a posable player card figurine, as shown and described.

**DESCRIPTION**

FIG. 1 is a front perspective view of a posable player card figurine;  
FIG. 2 is a right side elevation view thereof;  
FIG. 3 is a left side elevation view thereof;  
FIG. 4 is a front elevation view thereof;  
FIG. 5 is a rear elevation view thereof;  
FIG. 6 is a top plan view thereof; and,  
FIG. 7 is a bottom plan view thereof.  
The broken lines in the figures depict environmental subject matter and form no part of the claimed design.

**1 Claim, 7 Drawing Sheets**

(56) **References Cited**  
U.S. PATENT DOCUMENTS

D223,164 S \* 3/1972 Meth et al. .... D21/611  
3,675,921 A \* 7/1972 Meyers, Sr. .... A63B 69/0071  
473/448  
D233,238 S \* 10/1974 Reid et al. .... D19/62  
D257,369 S \* 10/1980 Kodaka ..... D21/615  
D268,656 S \* 4/1983 Kodaka ..... D11/162  
D268,657 S \* 4/1983 Kodaka ..... D11/162  
D268,823 S \* 5/1983 Kodaka ..... D11/158  
D268,824 S \* 5/1983 Kodaka ..... D11/158  
D268,827 S \* 5/1983 Kodaka ..... D11/162  
D271,479 S \* 11/1983 Kodaka ..... D11/162  
D272,812 S \* 2/1984 Kodaka ..... D11/162  
D272,893 S \* 3/1984 Kodaka ..... D11/158  
D272,894 S \* 3/1984 Kodaka ..... D11/158  
D283,148 S \* 3/1986 Coyne ..... D20/31  
D316,876 S \* 5/1991 Heseltine ..... D20/31



(56)

References Cited

U.S. PATENT DOCUMENTS

6,418,879 B1 *	7/2002	Reiman	.....	A01K 15/02					
				119/52.3					
D462,999 S *	9/2002	Evans	.....	D20/31					
D466,235 S *	11/2002	Orner	.....	D26/13					
6,601,326 B1 *	8/2003	Bublitz	.....	G09F 19/08					
				223/66					
D483,292 S *	12/2003	Hostetter	.....	D10/59					
6,769,206 B2 *	8/2004	Olson	.....	G09F 1/08					
				248/459					
6,920,710 B2 *	7/2005	Murphy	.....	G09F 1/08					
				40/421					
D516,629 S *	3/2006	McDonald	.....	D20/31					
D539,373 S *	3/2007	Cook	.....	D21/781					
7,380,360 B2 *	6/2008	Evans	.....	G09F 1/08					
				116/63 P					
D594,776 S *	6/2009	Teshome	.....	D11/160					
D607,075 S *	12/2009	McDonald	.....	D20/31					
D630,283 S *	1/2011	Elder	.....	D21/780					
D643,078 S *	8/2011	McDonald	.....	D21/698					
D650,444 S *	12/2011	Farver	.....	D20/31					
D658,242 S *	4/2012	McDonald	.....	D21/698					
D686,106 S *	7/2013	Jordan	.....	D11/160					
D691,210 S *	10/2013	Hardy	.....	D20/33					
D696,730 S *	12/2013	Tanous	.....	A63H 27/00					
				D21/438					
D732,999 S *	6/2015	Siegel	.....	D11/160					
D735,603 S *	8/2015	Siegel	.....	D11/160					
D745,927 S *	12/2015	Hardy	.....	D20/32					
D813,713 S *	3/2018	Williams	.....	D11/87					
D814,335 S *	4/2018	Williams	.....	D11/87					
9,931,555 B1 *	4/2018	McCoy	.....	A63B 69/0071					
D839,964 S *	2/2019	Hallen	.....	D21/386					
10,279,732 B2 *	5/2019	Clay	.....	B60Q 1/46					
D896,499 S *	9/2020	Deener, Jr.	.....	D3/4					
D903,296 S *	12/2020	Deener, Jr.	.....	D3/4					
D909,503 S *	2/2021	Caissy	.....	D21/699					
D917,338 S *	4/2021	Goh	.....	D11/160					
D921,768 S *	6/2021	Chen	.....	D21/479					
D921,769 S *	6/2021	Chen	.....	D21/479					
2004/0160011 A1 *	8/2004	Fitzgerald	.....	A63F 7/0612					
				273/317.3					

\* cited by examiner



**FIG. 1**

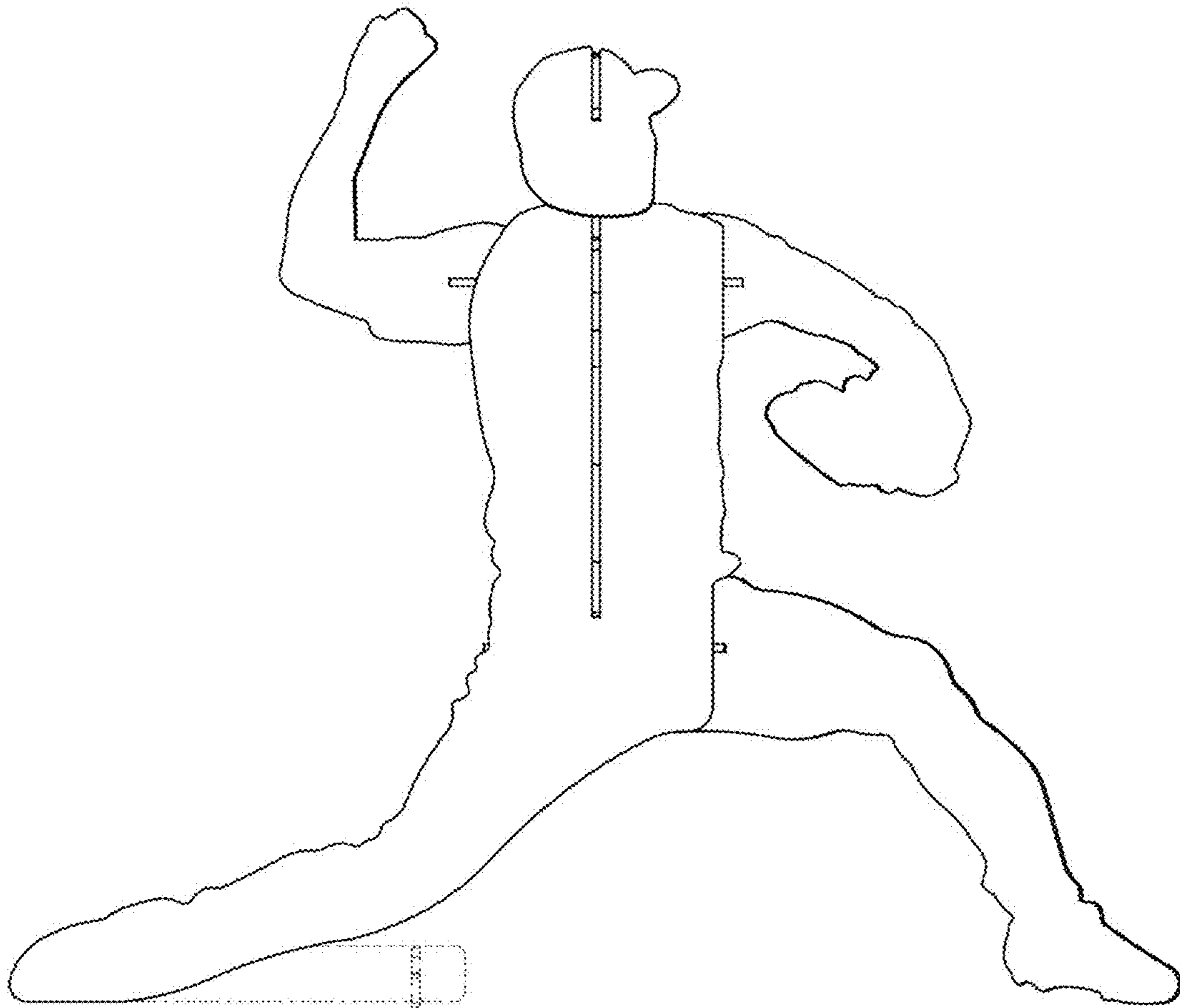
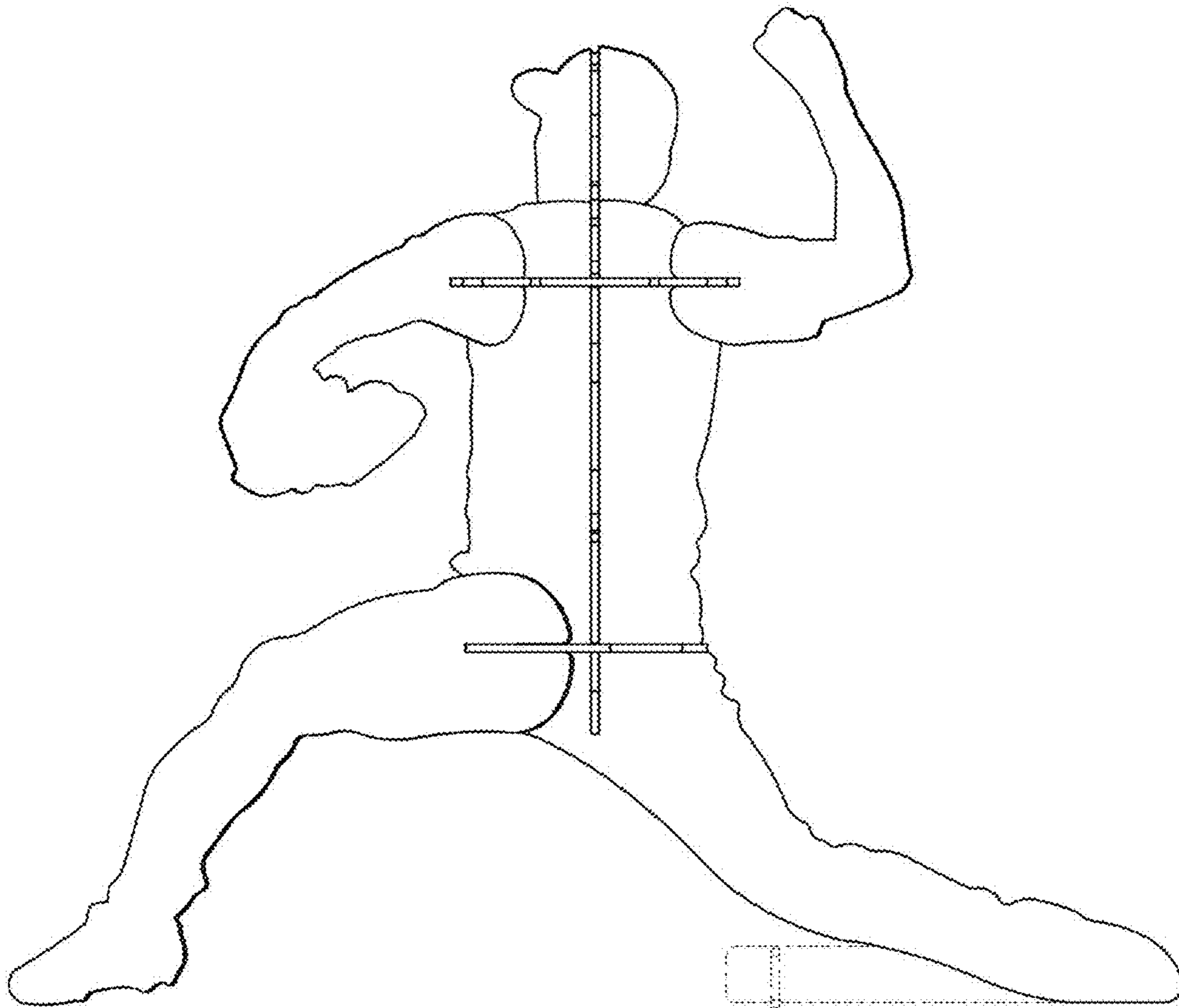


FIG. 2



**FIG. 3**

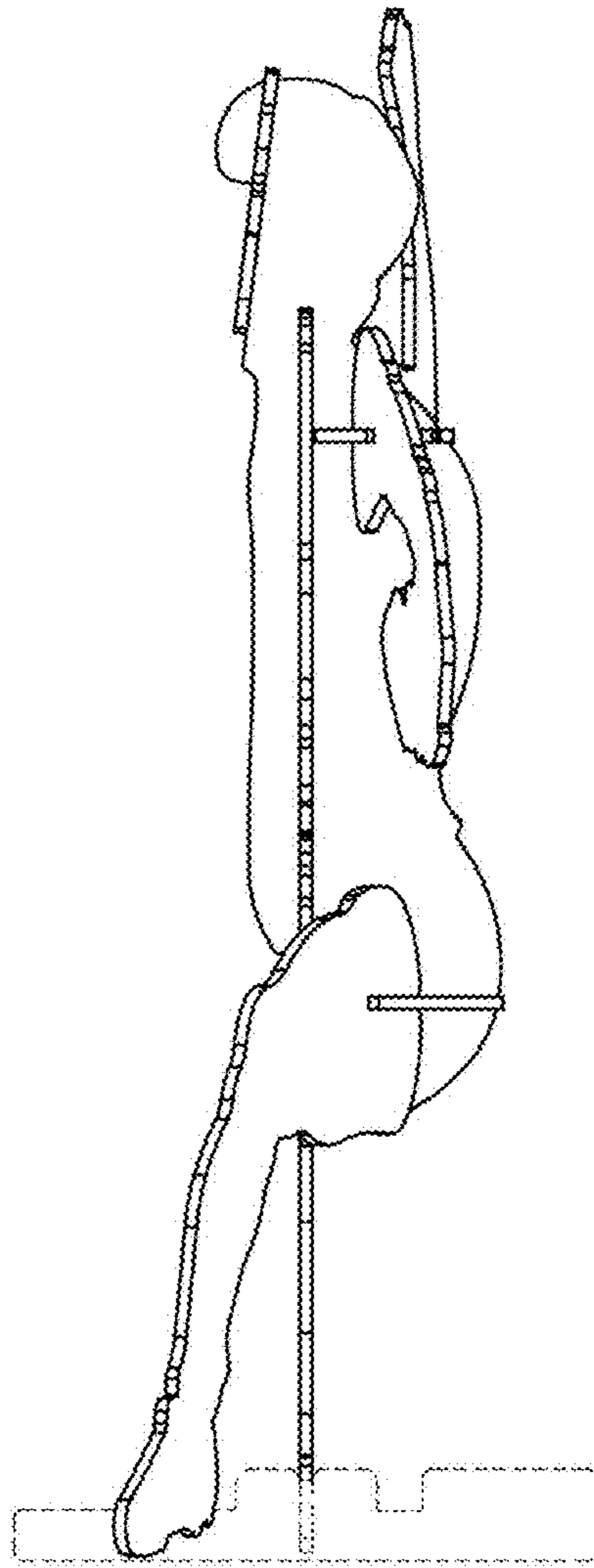


FIG. 4

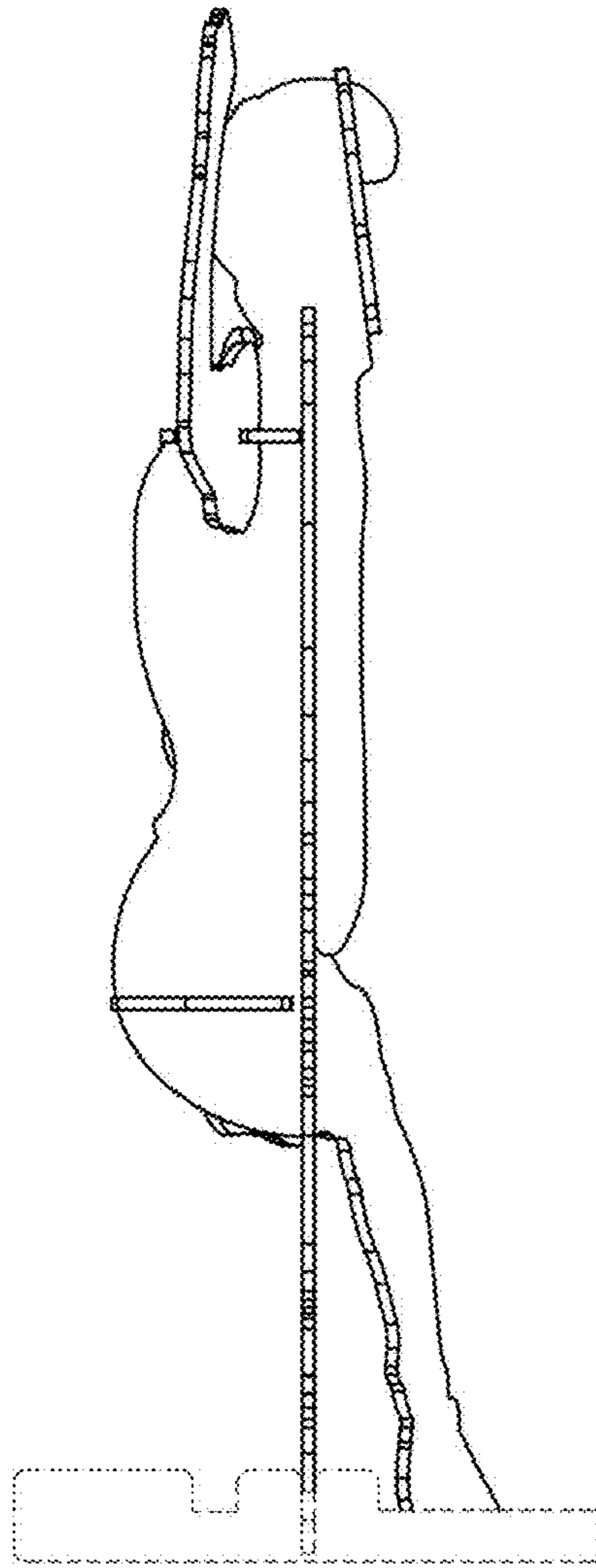


FIG. 5

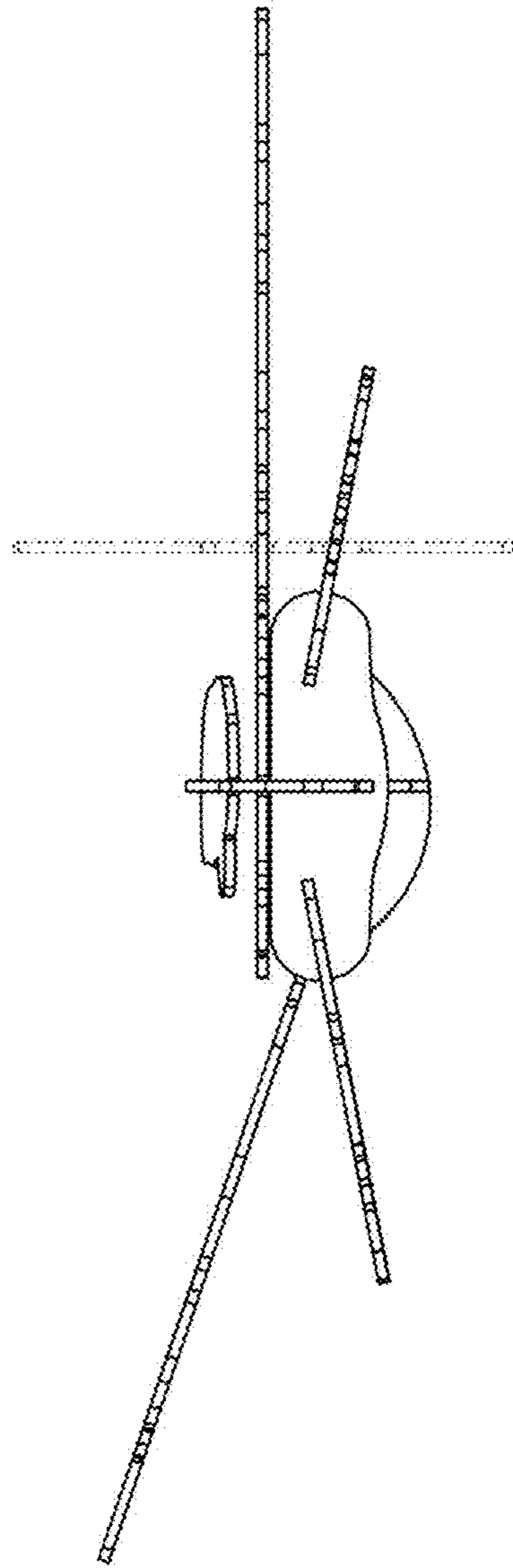


FIG. 6



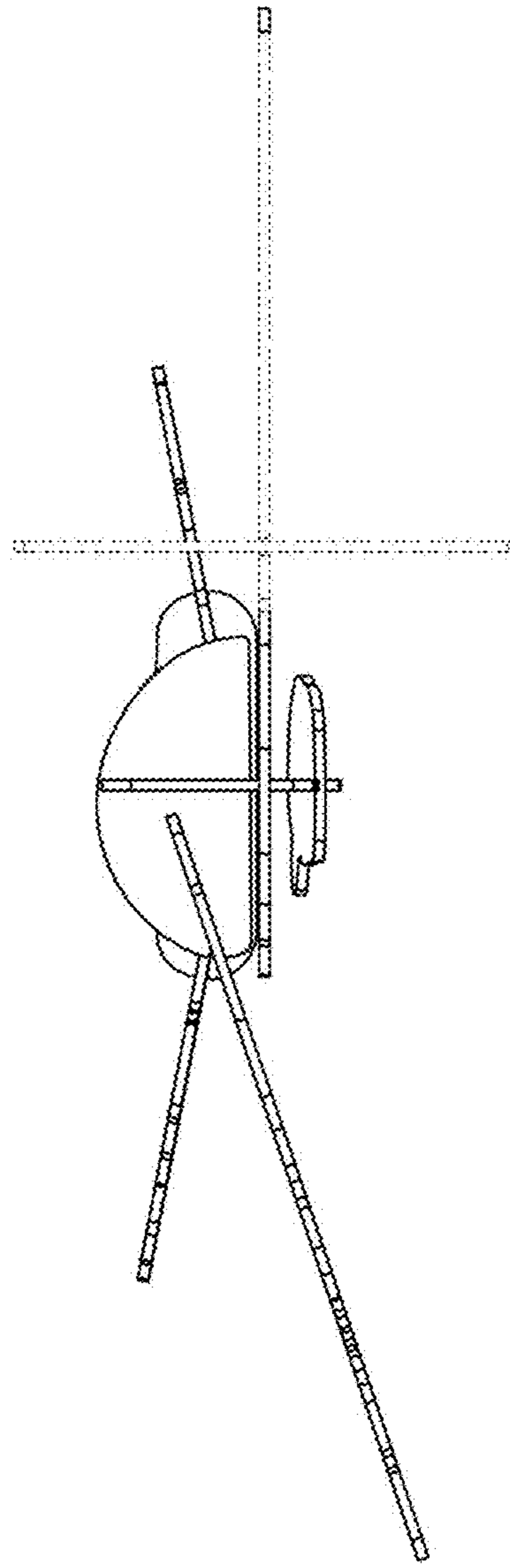


FIG. 7