



US00D932346S

(12) **United States Design Patent**
Song et al.

(10) **Patent No.:** **US D932,346 S**
(45) **Date of Patent:** **** Oct. 5, 2021**

- (54) **PLANTER**
- (71) Applicant: **AVA Technologies Inc.**, Vancouver (CA)
- (72) Inventors: **Yo Wen Song**, Vancouver (CA); **Chase Arihiro Ando**, Vancouver (CA); **Michael Reza Nasser**, Vancouver (CA); **Darshil Panagar**, Vancouver (CA); **Chiragh Dewan**, Vancouver (CA)
- (73) Assignee: **AVA Technologies Inc.**, Vancouver (CA)
- (**) Term: **15 Years**
- (21) Appl. No.: **29/720,272**
- (22) Filed: **Jan. 10, 2020**
- (51) **LOC (13) Cl.** **11-02**
- (52) **U.S. Cl.**
USPC **D11/156**
- (58) **Field of Classification Search**
USPC D11/143–156, 164
CPC ... A47G 7/00; A47G 7/02; A47G 7/06; A47G 7/08; A01G 9/02; A01G 9/021; A01G 9/022; A01G 9/04; A01G 7/045; A01G 27/003; A01G 27/005; A01G 27/008
See application file for complete search history.

- 4,045,909 A 9/1977 Moss
- 4,059,922 A 11/1977 Digiacinto
- 4,179,846 A 12/1979 Carlisle
- 4,209,944 A 7/1980 Nozawa
- 4,211,034 A 7/1980 Piesner
- (Continued)

FOREIGN PATENT DOCUMENTS

- CA 1257093 A 7/1989
- CA 2010332 A1 8/1990
- (Continued)

OTHER PUBLICATIONS

International Search Report and Written Opinion dated Jul. 14, 2020 in connection with International Patent Application No. PCT/CA2020/050552, 11 pages.

Primary Examiner — Elizabeth A. Albert

(74) *Attorney, Agent, or Firm* — Dorsey & Whitney LLP

(57) **CLAIM**

The ornamental design for a planter, as shown and described.

DESCRIPTION

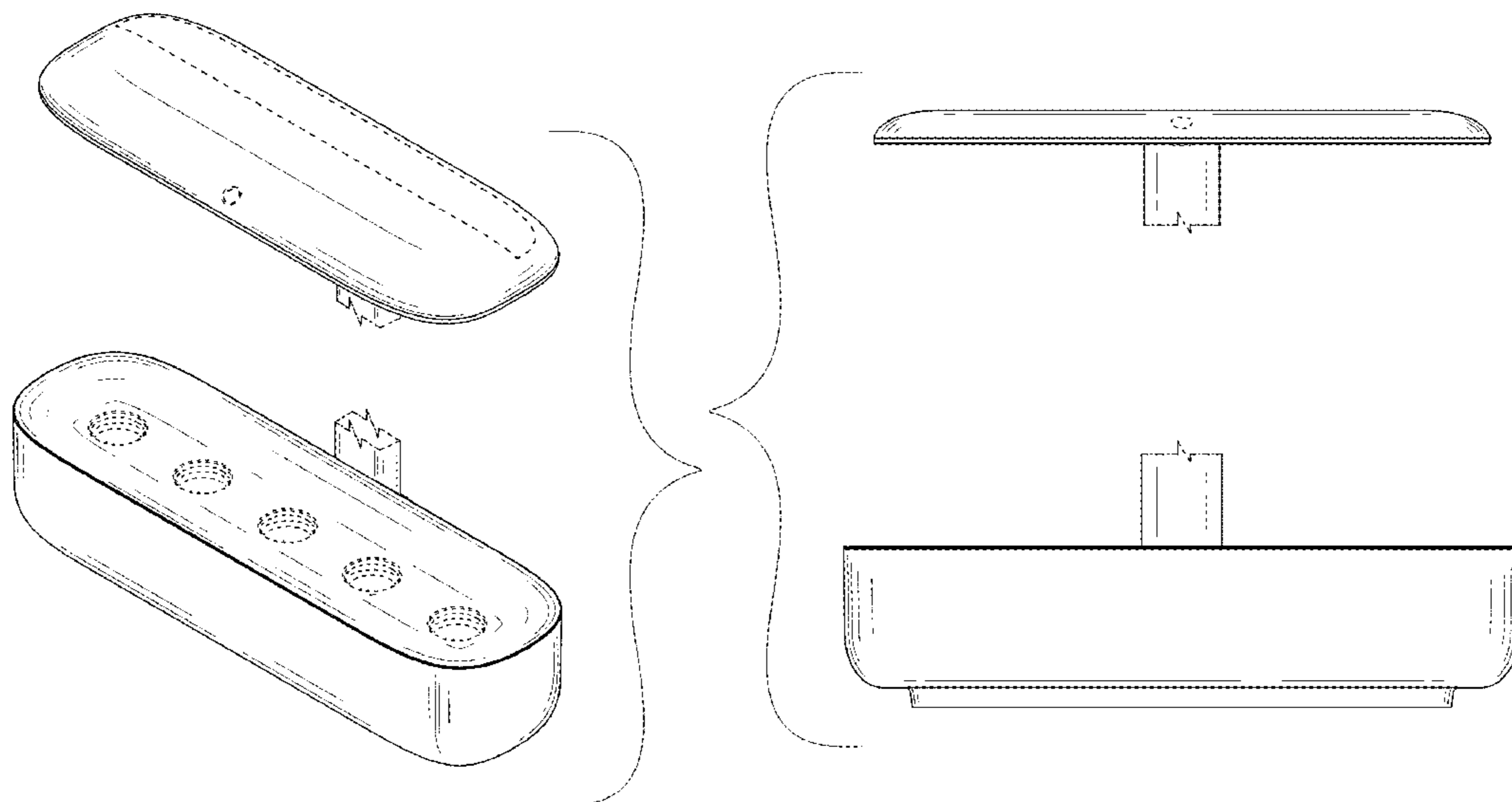
FIG. 1 is an exploded top perspective view of a planter showing our new design;
 FIG. 2 is an exploded bottom perspective view of FIG. 1;
 FIG. 3 is an exploded front elevation view of FIG. 1;
 FIG. 4 is an exploded rear elevation view of FIG. 1;
 FIG. 5 is an exploded left side elevation view of FIG. 1;
 FIG. 6 is an exploded right side elevation view of FIG. 1;
 FIG. 7 is a top plan view of FIG. 1; and,
 FIG. 8 is a bottom plan view of FIG. 1.
 The broken lines illustrate environment that forms no part of the claimed design. The broken away symbols in the drawings indicate the appearance of any portion of the article between the break lines forms no part of the claimed design.

1 Claim, 6 Drawing Sheets

(56) **References Cited**

U.S. PATENT DOCUMENTS

- D181,348 S 11/1957 Dube
- 3,042,247 A * 7/1962 Bonnet B65D 11/00
220/366.1
- 3,660,933 A 5/1972 Wong
- 3,757,470 A 9/1973 Shimamoto et al.
- 3,842,535 A 10/1974 Lahr
- 3,991,514 A 11/1976 Finck
- D244,838 S * 6/1977 LeBreux D11/144
- 4,028,847 A 6/1977 Davis et al.



(56)

References Cited

U.S. PATENT DOCUMENTS

4,216,617 A	8/1980	Schmidt		D634,669 S *	3/2011	Brandstatter	D11/152
4,216,618 A	8/1980	Davis et al.		7,934,340 B2	5/2011	Zettl	
4,218,847 A	8/1980	Leroux		D644,388 S	8/2011	Quan	
4,255,896 A	3/1981	Carl		8,009,048 B2	8/2011	Hyde et al.	
D259,011 S	4/1981	Daenen		D657,628 S	4/2012	Sink et al.	
4,270,309 A	6/1981	Baumann		8,261,486 B2 *	9/2012	Bissonnette	A01G 27/003 47/59 R
4,279,101 A	7/1981	Leroux		8,327,582 B2	12/2012	Storey	
4,310,990 A	1/1982	Payne		D684,429 S	6/2013	Lion et al.	
4,315,381 A	2/1982	Dvorin		D704,592 S	5/2014	Hung et al.	
4,379,375 A	4/1983	Eisenberg et al.		D711,195 S	8/2014	Cornu et al.	
4,419,842 A	12/1983	Paloian		D713,284 S *	9/2014	Prinster	A01G 31/02 D11/143
4,467,561 A	8/1984	Tsuchiya		D725,545 S	3/2015	Warburton et al.	
4,487,164 A	12/1984	Yanagisawa		D729,115 S *	5/2015	Prinster	D11/144
4,493,163 A	1/1985	De		9,084,418 B2	7/2015	Ehr et al.	
4,574,520 A	3/1986	Arledge		9,220,206 B2	12/2015	Walliser	
4,594,811 A	6/1986	Tokoro		D760,118 S *	6/2016	Lepp	D11/142
4,603,506 A	8/1986	Powell, Jr.		9,527,778 B2	12/2016	Rosenthal et al.	
D288,793 S	3/1987	Carlson		9,532,517 B2	1/2017	Karbowski	
4,699,086 A	10/1987	Mori		D781,069 S *	3/2017	Marshall	D6/553
4,699,087 A	10/1987	Mori		9,603,316 B1	3/2017	Mansey et al.	
4,728,082 A	3/1988	Emmett, Jr. et al.		D786,020 S	5/2017	Traub et al.	
4,756,120 A	7/1988	Arledge		D792,808 S *	7/2017	Verneuil	D11/144
4,780,989 A	11/1988	Mears et al.		9,730,398 B2	8/2017	Halmos et al.	
4,813,997 A	3/1989	Kinnersley et al.		9,848,544 B2	12/2017	Hessel et al.	
4,818,579 A	4/1989	Uchida		D819,737 S	6/2018	Wei	
4,860,490 A	8/1989	Morris et al.		10,010,034 B2	7/2018	Zhan et al.	
4,878,043 A	10/1989	Heusquin et al.		D840,757 S	2/2019	Peterson	
4,926,585 A	5/1990	Dreschel		D841,402 S	2/2019	Price	
4,932,158 A	6/1990	Roberts		D846,802 S *	4/2019	Nicoline	D28/9
4,953,322 A	9/1990	Edwards		D864,016 S *	10/2019	Woltz	D11/143
D312,745 S	12/1990	Daenen		D868,523 S	12/2019	Chang	
5,037,688 A	8/1991	Uchida		10,602,673 B2	3/2020	Prinster et al.	
5,053,060 A	10/1991	Kopf-sill et al.		10,631,544 B2	4/2020	Bettiol	
5,054,233 A	10/1991	Evans		D888,602 S *	6/2020	Kadosh	D11/144
5,073,401 A	12/1991	Mohr		D888,603 S *	6/2020	Tong	D11/144
5,121,708 A	6/1992	Nuttle		10,959,402 B2	3/2021	Price	
5,175,131 A	12/1992	Lang et al.		2002/0162275 A1	11/2002	Robinson	
5,261,185 A	11/1993	Koide et al.		2005/0204619 A1	9/2005	Park et al.	
5,323,567 A	6/1994	Nakayama et al.		2005/0240313 A1	10/2005	Cartwright	
5,385,589 A	1/1995	Kratky		2005/0246954 A1	11/2005	Bissonnette et al.	
5,440,836 A	8/1995	Lee		2006/0156624 A1	7/2006	Roy et al.	
5,466,373 A	11/1995	Handwerker et al.		2006/0168881 A1	8/2006	Straumietis	
5,525,505 A	6/1996	Young et al.		2006/0254138 A1	11/2006	Bissonnette et al.	
5,585,505 A	12/1996	Mulder et al.		2006/0272210 A1	12/2006	Bissonnette et al.	
5,598,663 A	2/1997	Kikuchi		2007/0271841 A1	11/2007	Bissonnette et al.	
D379,891 S *	6/1997	Hampshire	D6/525	2007/0271842 A1	11/2007	Bissonnette et al.	
5,638,638 A	6/1997	Moskowitz		2008/0098652 A1	5/2008	Weinbel	
D384,907 S	10/1997	Moskowitz		2008/0222949 A1	9/2008	Bissonnette et al.	
D385,213 S *	10/1997	McAllister	D11/156	2008/0276534 A1	11/2008	Bissonnette et al.	
5,771,634 A	6/1998	Fudger		2009/0151248 A1	6/2009	Bissonnette et al.	
D399,450 S	10/1998	Durbin		2009/0223128 A1	9/2009	Kuschak	
D416,102 S *	11/1999	Schulman	D11/144	2009/0231101 A1	9/2009	Hyde et al.	
6,086,755 A	7/2000	Tepper		2009/0313891 A1	12/2009	Vardeny et al.	
D436,887 S	1/2001	Fan		2010/0031566 A1	2/2010	Azoulay	
6,216,390 B1	4/2001	Peregrin		2010/0319248 A1	12/2010	Reyankar	
6,219,966 B1	4/2001	Lapointe et al.		2010/0325952 A1	12/2010	Young et al.	
6,247,268 B1	6/2001	Auer		2011/0056132 A1	3/2011	Gardner	
6,312,139 B1	11/2001	Baker et al.		2012/0171456 A1	7/2012	Zuniga et al.	
6,448,202 B1	9/2002	Miyazawa et al.		2012/0277117 A1	11/2012	Zayed et al.	
D484,363 S	12/2003	De Groote et al.		2013/0000199 A1	1/2013	Muranaka	
6,779,299 B2	8/2004	Clarke		2013/0019527 A1	1/2013	Howe-sylvain	
6,811,700 B2	11/2004	Austin et al.		2013/0036669 A1	2/2013	Rabii et al.	
6,862,842 B2	3/2005	Mischo		2013/0067813 A1	3/2013	Storey	
6,951,076 B2	10/2005	Wnsbury		2014/0007503 A1	1/2014	Sroczyński	
D512,631 S	12/2005	Lhoste et al.		2014/0200690 A1	7/2014	Kumar	
6,988,816 B2	1/2006	Witkowski		2015/0005964 A1	1/2015	Liotta	
D526,525 S	8/2006	Wasserman et al.		2015/0040478 A1	2/2015	Moghaddam	
7,243,460 B2	7/2007	Darlington		2015/0196002 A1	7/2015	Friesth	
7,396,441 B2	7/2008	Senkiw		2015/0223418 A1	8/2015	Collins et al.	
D586,688 S *	2/2009	Bromley	D11/144	2015/0250115 A1	9/2015	Pickell et al.	
D592,011 S	5/2009	Fujimoto et al.		2015/0305259 A1	10/2015	Galassi	
D594,775 S	6/2009	Moreau		2015/0305261 A1	10/2015	Wilson et al.	
7,591,100 B2	9/2009	Sato		2015/0319946 A1	11/2015	Center	
D604,196 S *	11/2009	Bissonnette	D11/144	2015/0351339 A1	12/2015	Carmody	
D604,197 S *	11/2009	Bissonnette	D11/144	2016/0050862 A1	2/2016	Walliser	
				2016/0066525 A1	3/2016	Duquesnay et al.	
				2016/0106048 A1	4/2016	Moghaddam et al.	

(56)

References Cited

U.S. PATENT DOCUMENTS

2016/0128288 A1 5/2016 Pettinelli et al.
 2016/0128289 A1 5/2016 Wong et al.
 2016/0135395 A1 5/2016 Umpstead
 2016/0212954 A1 7/2016 Argento
 2016/0227722 A1 8/2016 Storey
 2016/0302369 A1 10/2016 Pickell et al.
 2016/0324090 A1 11/2016 Miyabe et al.
 2016/0371830 A1 12/2016 Barrasso et al.
 2017/0055470 A1 3/2017 Polivka
 2017/0055473 A1 3/2017 Baker
 2017/0105368 A1 4/2017 Mehrman
 2017/0127622 A1 5/2017 Hong
 2017/0139380 A1 5/2017 Englard et al.
 2017/0150684 A1 6/2017 Vuorinen et al.
 2017/0150687 A1 6/2017 Loiske et al.
 2017/0208759 A1 7/2017 Yano et al.
 2017/0238486 A1 8/2017 De Feo et al.
 2017/0347547 A1 12/2017 Lu et al.
 2018/0007849 A1 1/2018 Cohen et al.
 2018/0014485 A1 1/2018 Whitcher et al.
 2018/0054986 A1 3/2018 Fu et al.
 2018/0064044 A1 3/2018 Billings

2018/0065896 A1 3/2018 Van Iersel et al.
 2018/0132434 A1 5/2018 Fu
 2018/0132435 A1 5/2018 Yano et al.
 2018/0133583 A1 5/2018 Tran et al.
 2018/0184602 A1 7/2018 Ofir et al.
 2018/0242539 A1 8/2018 Bhattacharya et al.
 2019/0200541 A1* 7/2019 Park A01G 9/042
 2019/0230938 A1 8/2019 Dagher et al.
 2020/0053969 A1* 2/2020 Gehin A01G 24/44

FOREIGN PATENT DOCUMENTS

CA 2010873 A1 8/1990
 CA 2239135 A1 4/1998
 CA 2335311 A1 8/2002
 CA 2394830 A1 2/2004
 CA 2672070 A1 1/2011
 CA 2570740 C 9/2014
 CA 2921310 A1 2/2015
 CA 2849585 C 5/2016
 CA 2966267 A1 12/2017
 JP 2015065855 A 4/2015
 WO 2016164652 A1 10/2016
 WO 2018068042 A1 4/2018

* cited by examiner

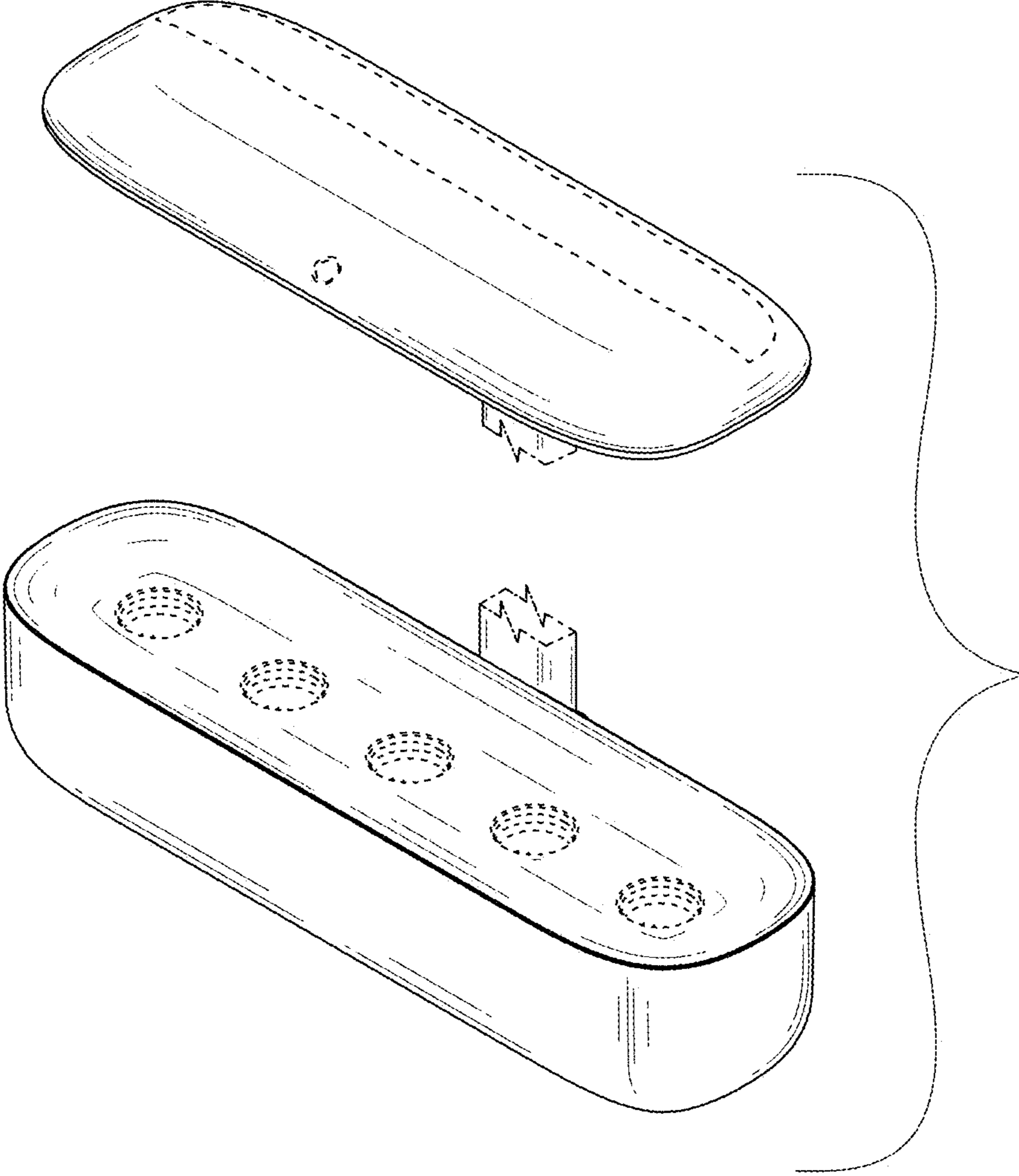


FIG. 1

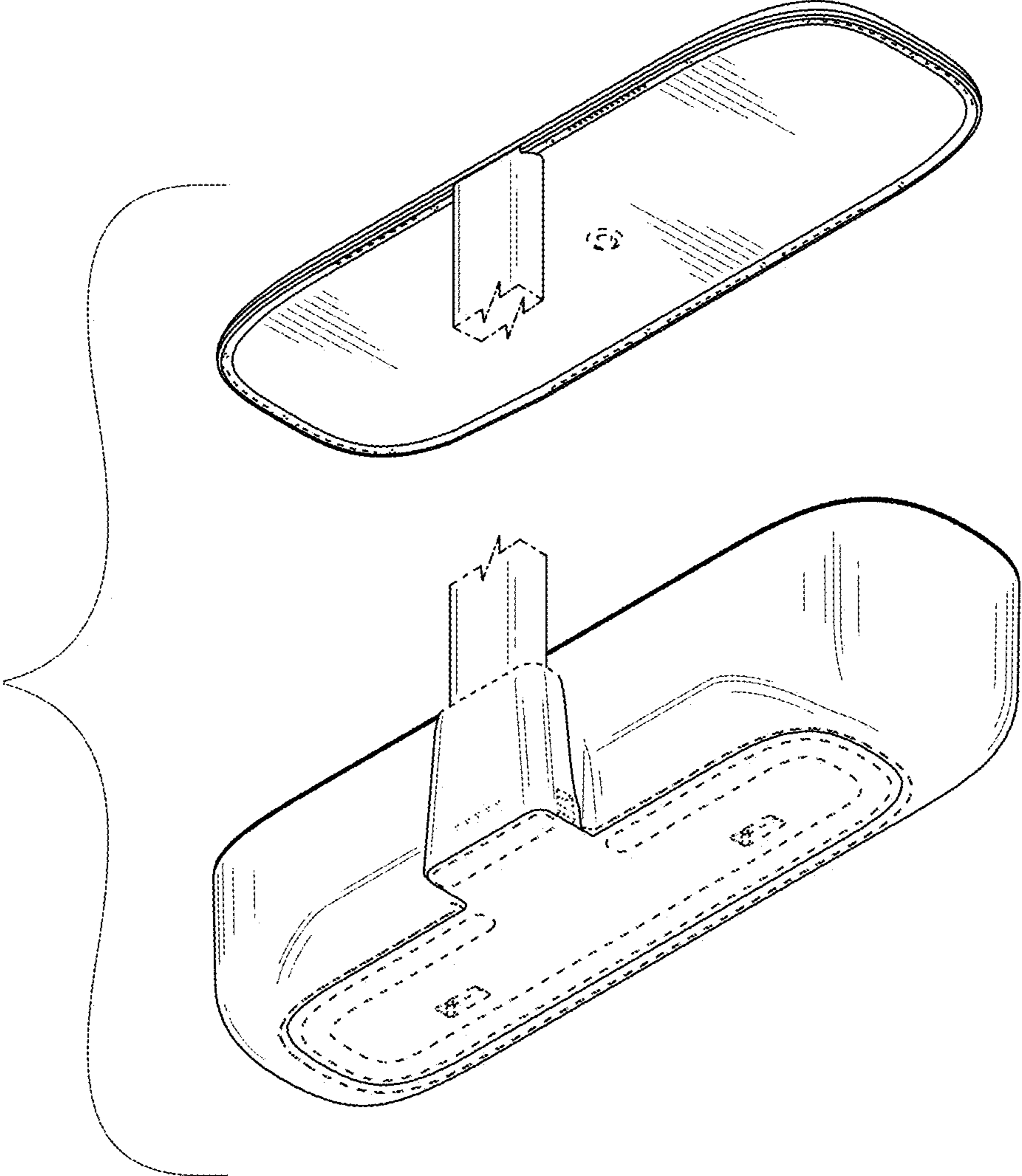


FIG. 2

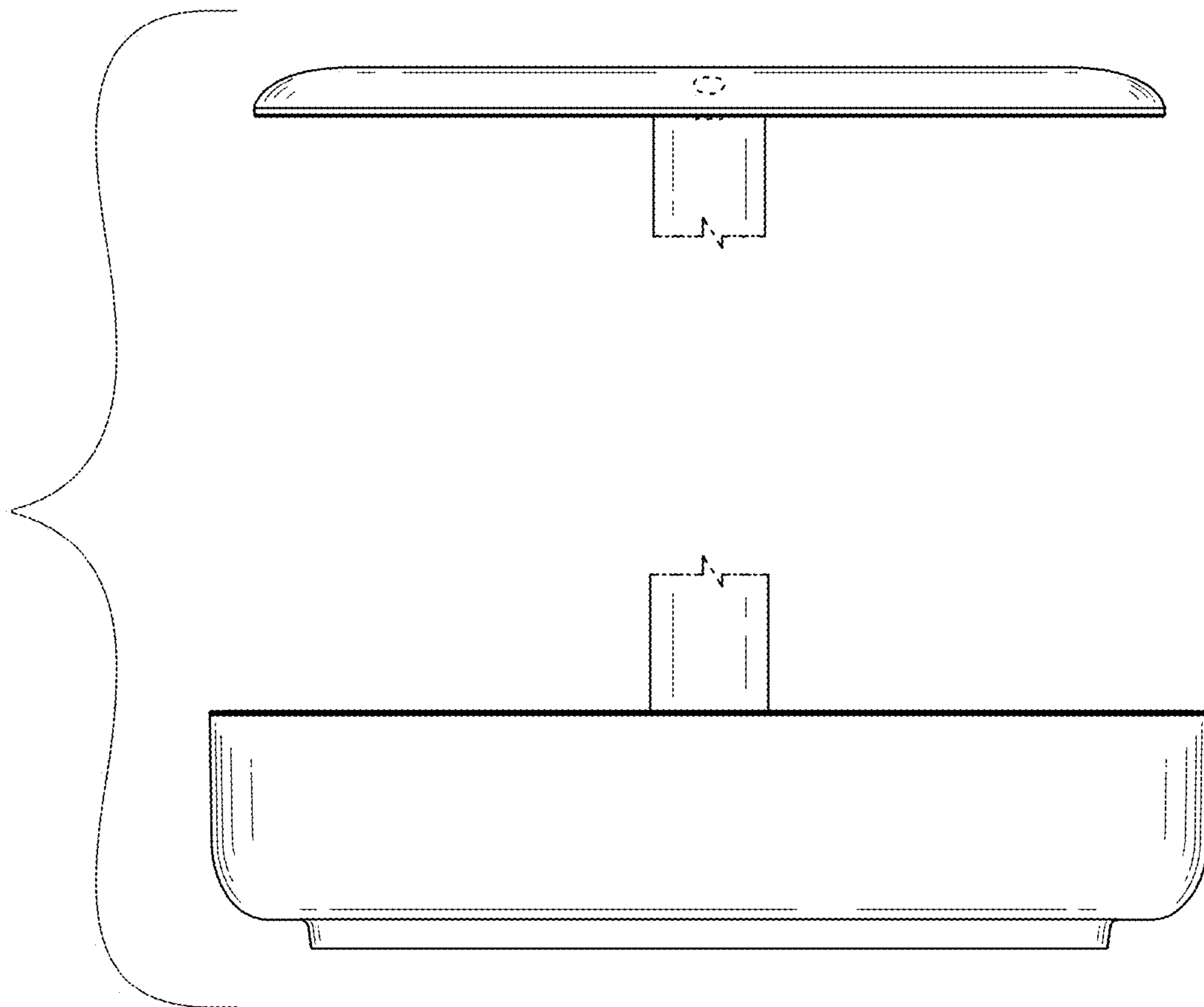


FIG. 3

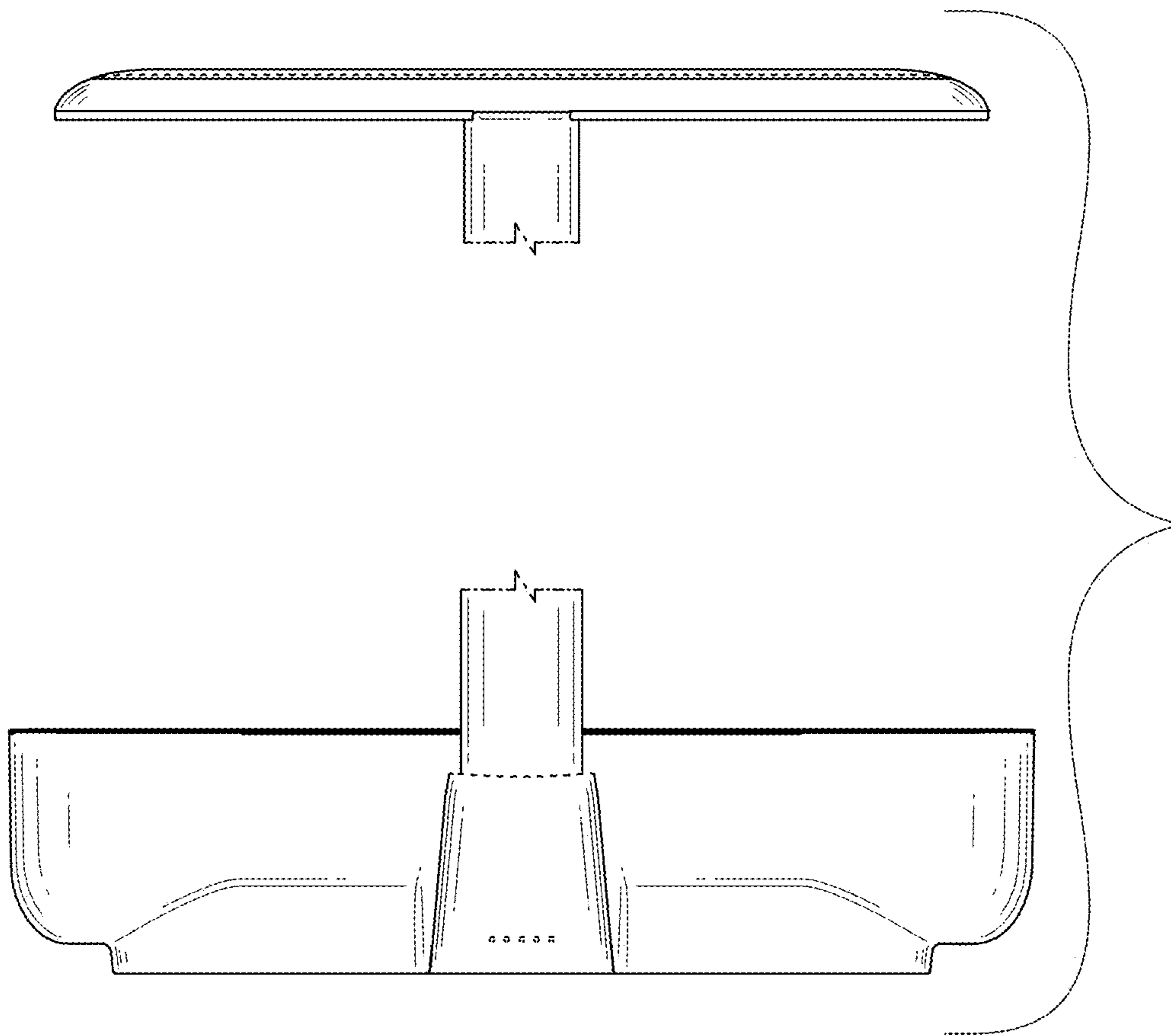


FIG. 4

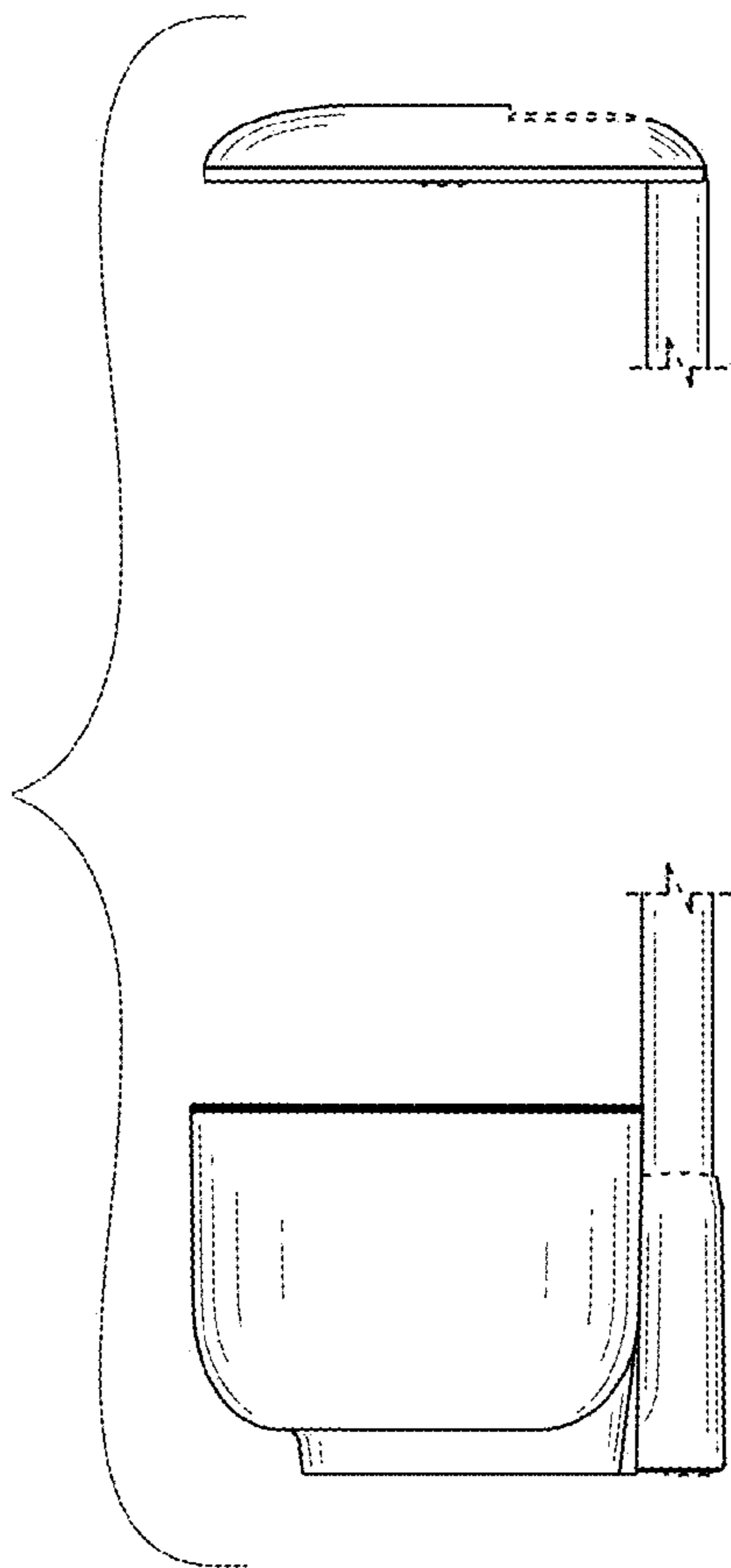


FIG. 5

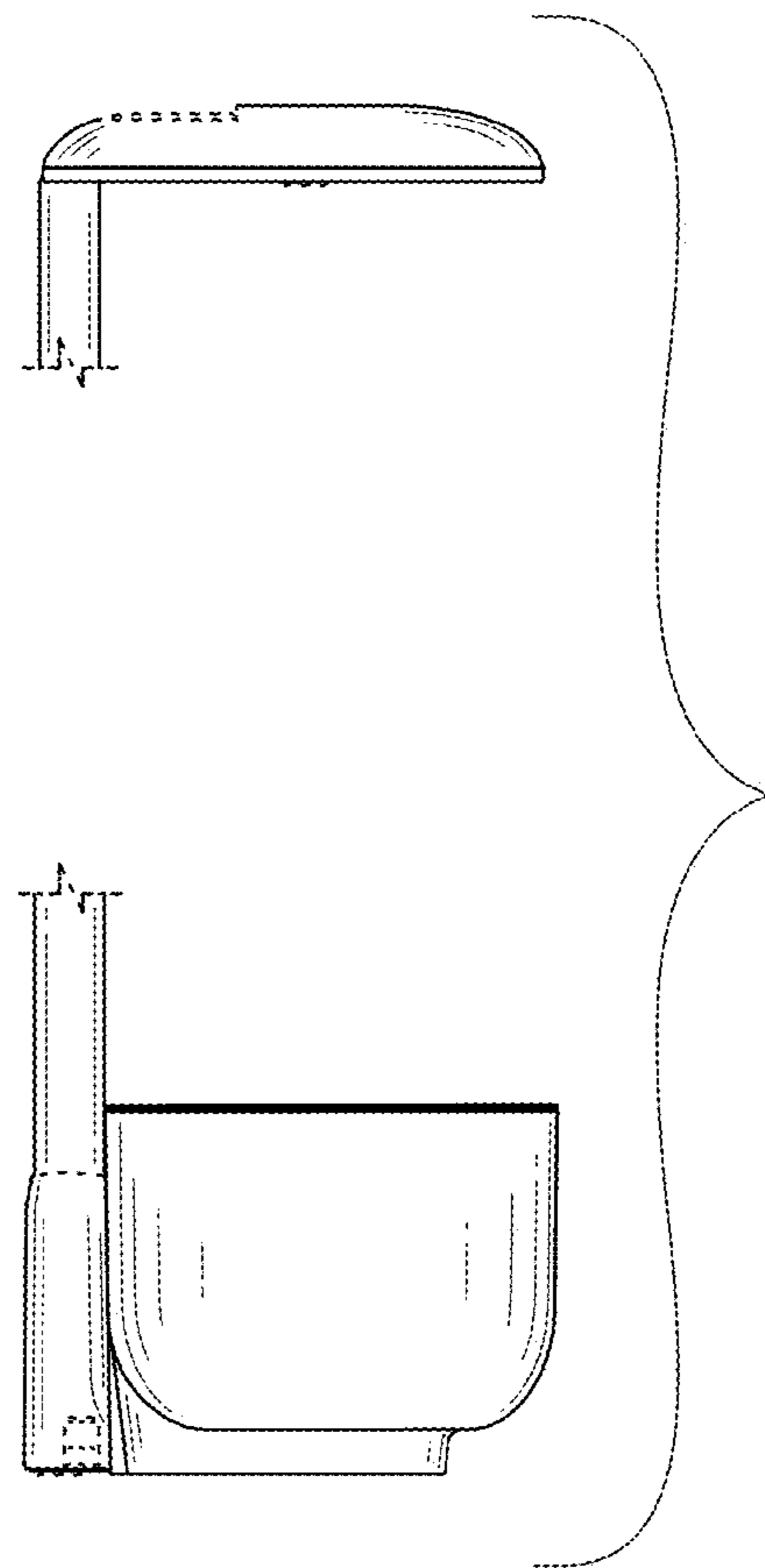


FIG. 6

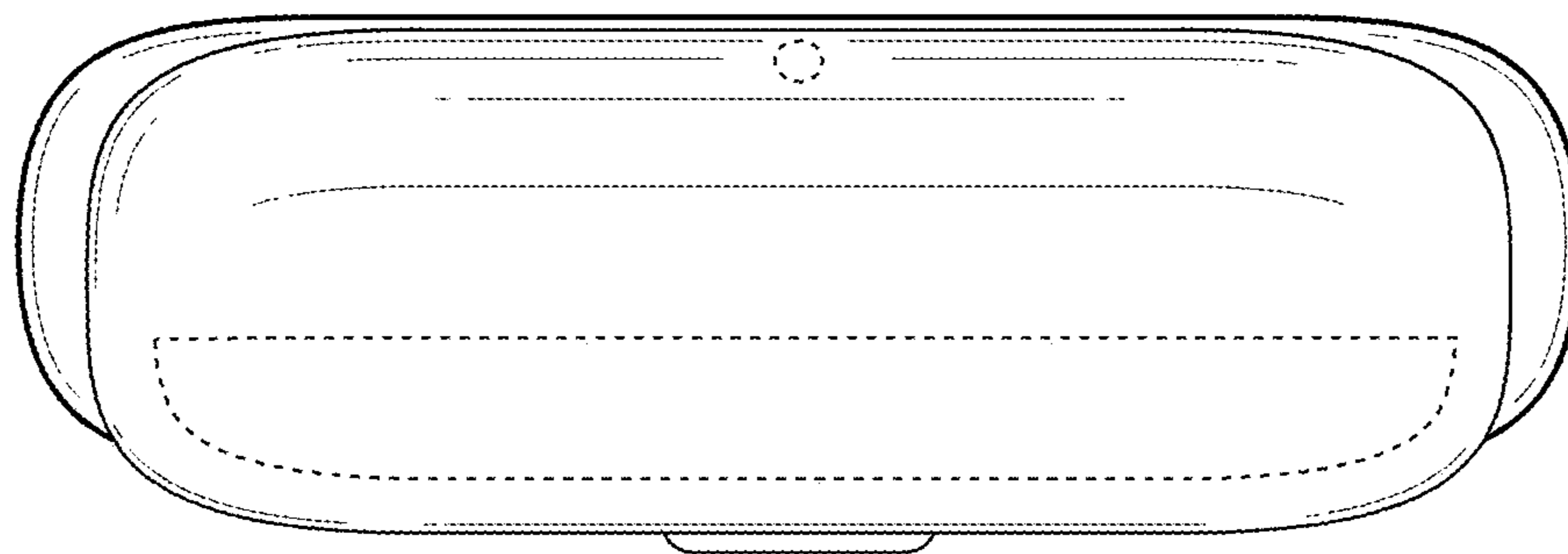


FIG. 7

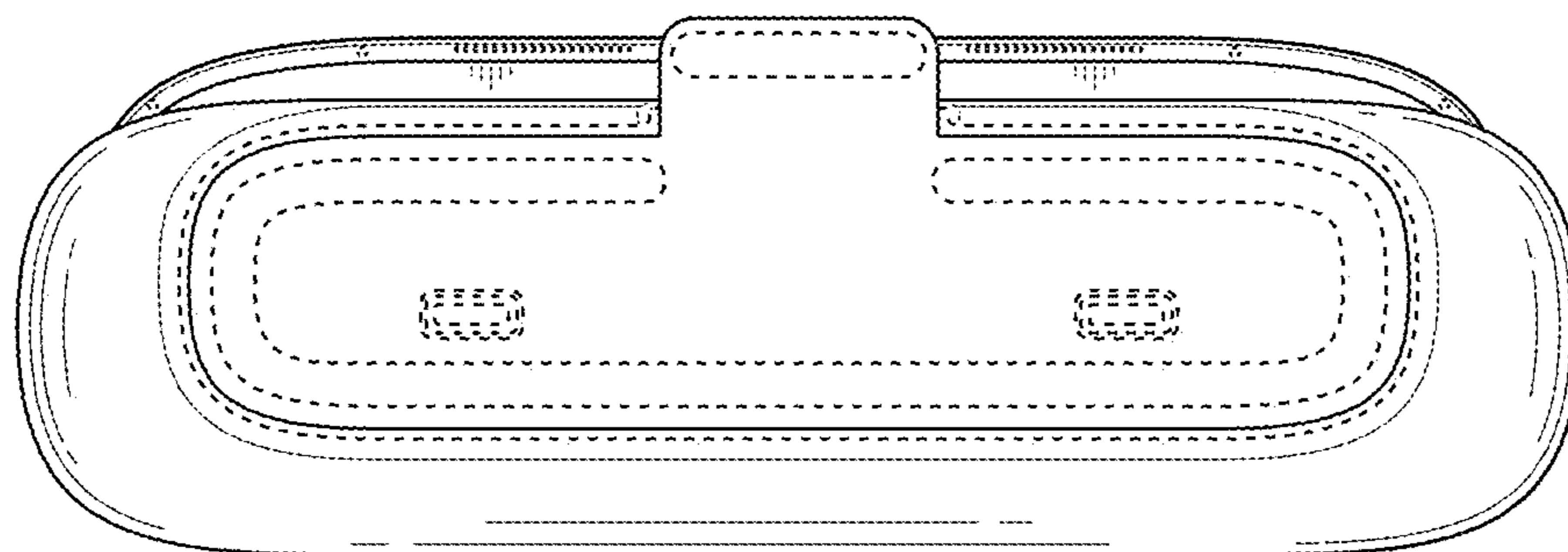


FIG. 8