



US00D932342S

(12) **United States Design Patent**
Haller

(10) **Patent No.:** **US D932,342 S**

(45) **Date of Patent:** **** *Oct. 5, 2021**

(54) **HANGING ORNAMENT WITH MIRRORED
SIDE PANELS**

(71) Applicant: **John L. Haller**, La Jolla, CA (US)

(72) Inventor: **John L. Haller**, La Jolla, CA (US)

(*) Notice: This patent is subject to a terminal disclaimer.

(**) Term: **15 Years**

(21) Appl. No.: **29/681,637**

(22) Filed: **Feb. 27, 2019**

(51) **LOC (13) Cl.** **11-05**

(52) **U.S. Cl.**
USPC **D11/121; D6/300**

(58) **Field of Classification Search**
USPC D11/117, 121, 125, 130, 131, 132, 133,
D11/141, 142, 157, 164; 428/7, 8, 9, 12;
D6/300
CPC A47G 33/00; A47G 33/08; A47G 33/0836;
A47G 2033/0827; B44C 5/00; B44C
5/02; B44C 5/04; B44C 5/0407; B44C
5/0415; B44C 7/00

See application file for complete search history.

(56) **References Cited**

U.S. PATENT DOCUMENTS

- 3,510,134 A * 5/1970 Brooks A63F 9/1204
273/157 R
- 3,561,146 A * 2/1971 Dembar G09F 1/12
40/720
- 3,647,279 A * 3/1972 Sharpless G02F 1/13
349/23
- 3,712,622 A * 1/1973 Odier A63F 3/0415
273/236
- D227,001 S * 5/1973 Dembar D6/301
- 3,774,332 A * 11/1973 Schneider G09F 1/12
40/720
- D253,584 S * 12/1979 Dorsen D11/131

- D259,866 S * 7/1981 Mortillaro 428/13
- D261,248 S * 10/1981 Birmingham D11/121
- D328,799 S * 8/1992 Leonard D11/131
- D329,301 S * 9/1992 Leonard D11/131
- 5,226,252 A * 7/1993 Haluska A44B 15/005
206/38.1
- D340,673 S * 10/1993 Saputo D11/121

(Continued)

OTHER PUBLICATIONS

Green Mountain Glass Retired Hanging Mirrored Glass Package
Ornaments 2.5" 3 Pcs ,[\(Continued\)](https://www.ebay.com/itm/303844191216?chn=ps&norover=1&mkevt=1&mkrid=711-213727-13078-0&mkcid=2&itemid=303844191216&targetid=4581183927179143&device=c&mktype=&googleloc=&poi=&campaignid=418233787&mkgroupid, 2021 (Year: 2021).*</p></div>
<div data-bbox=)

Primary Examiner — Elizabeth J Oswecki
(74) *Attorney, Agent, or Firm* — David R. Heckadon;
Gordon Rees Scully Mansukhani LLP

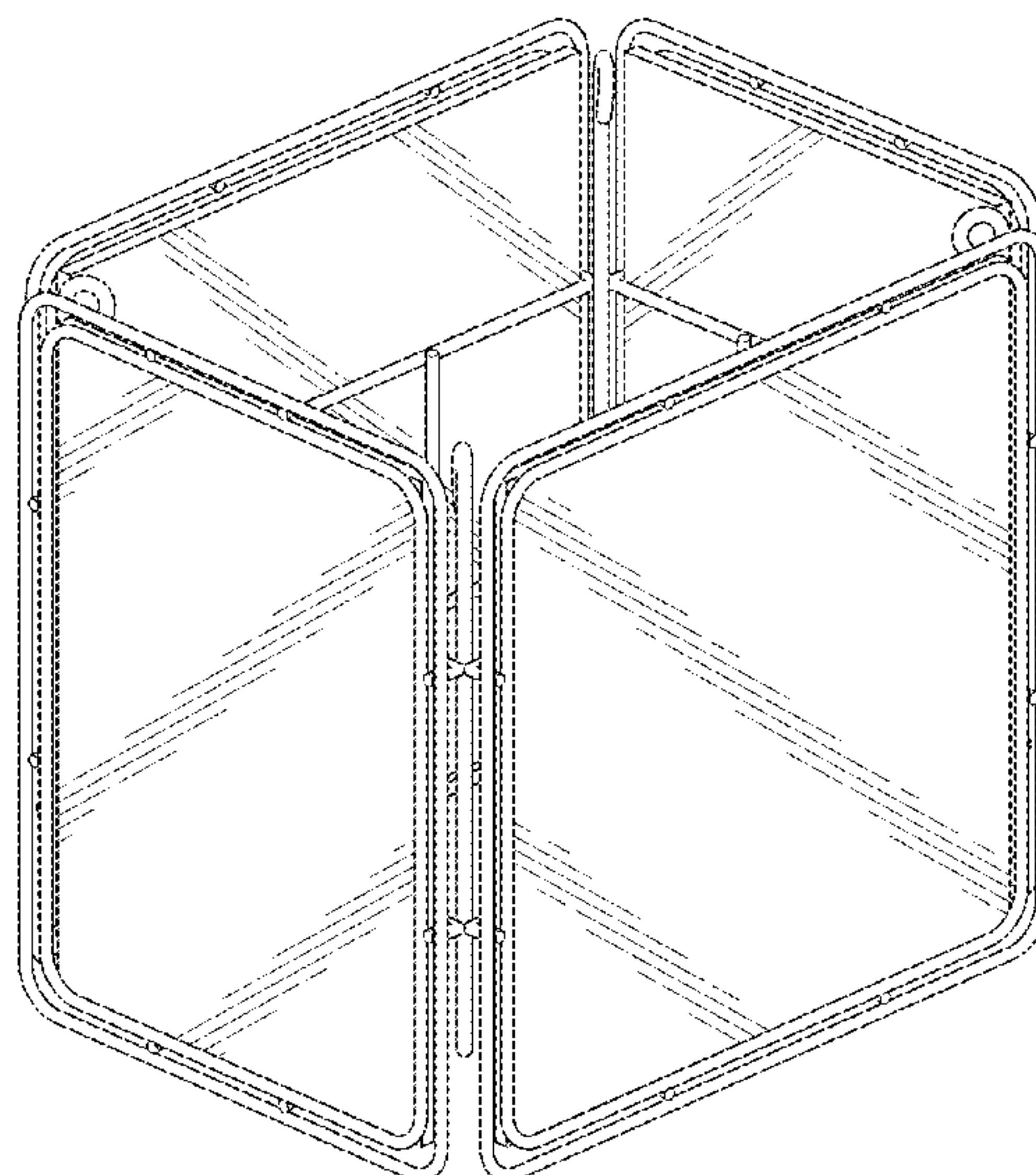
(57) **CLAIM**

The ornamental design for a hanging ornament with mirrored side panels, as shown and described.

DESCRIPTION

FIG. 1 is a perspective view of a hanging ornament with mirrored side panels, showing my new design;
FIG. 2 is a front elevation view thereof;
FIG. 3 is a rear elevation view thereof;
FIG. 4 is a left side elevation view thereof;
FIG. 5 is a right side elevation view thereof;
FIG. 6 is a top plan view thereof;
FIG. 7 is a bottom plan view thereof;
FIG. 8 is a cross sectional view taken along line 8-8 in FIG. 6; and,
FIG. 9 is a cross sectional view taken along line 9-9 in FIG. 6.

1 Claim, 9 Drawing Sheets



(56)

References Cited

U.S. PATENT DOCUMENTS

5,310,183 A * 5/1994 Glikmann A63F 9/083
 273/153 S
 D375,207 S * 11/1996 Pempek D6/300
 D381,520 S * 7/1997 Sales D6/300
 D389,267 S * 1/1998 Sutton D11/131
 D389,874 S * 1/1998 Kazangian D21/373
 D430,565 S * 9/2000 Crane, Jr. 273/146
 D444,633 S * 7/2001 Henick D6/301
 D451,684 S * 12/2001 Vincent D6/301
 D459,898 S * 7/2002 Sanford D6/302
 D491,097 S * 6/2004 Johnson D11/121
 D498,502 S * 11/2004 Duke D20/10
 D523,249 S * 6/2006 Hoernig D6/300
 D528,804 S * 9/2006 Boergens D6/301
 D553,850 S * 10/2007 Trower D3/208
 D613,338 S * 4/2010 Marukos D20/10
 D643,969 S * 8/2011 Abate D26/118

D726,582 S * 4/2015 Srivastava D11/131
 D738,781 S * 9/2015 Manning D11/160
 D761,157 S * 7/2016 Manning D11/160
 D789,829 S * 6/2017 Nemeth D11/121
 D789,830 S * 6/2017 Nemeth D11/121
 D791,639 S * 7/2017 Nemeth D11/121
 D803,469 S * 11/2017 Rauta D26/110
 D854,343 S * 7/2019 Altemimei D6/300
 D878,771 S * 3/2020 Gelman D6/300

OTHER PUBLICATIONS

Elegant Square Mirror Ornament, <https://www.ebay.com/itm/174333379073?chn=ps&norover=1&mkevt=1&mkrid=711-213727-13078-0&mkcid=2&itemid=174333379073&targetid=4581183927179145&device=c&mktype=&googleloc=&poi=&campaignid=418233787&mkgroupid=1241348861725295&rlsarget=pla-4581183927179145&abcId,2021> (Year: 2021).*

* cited by examiner

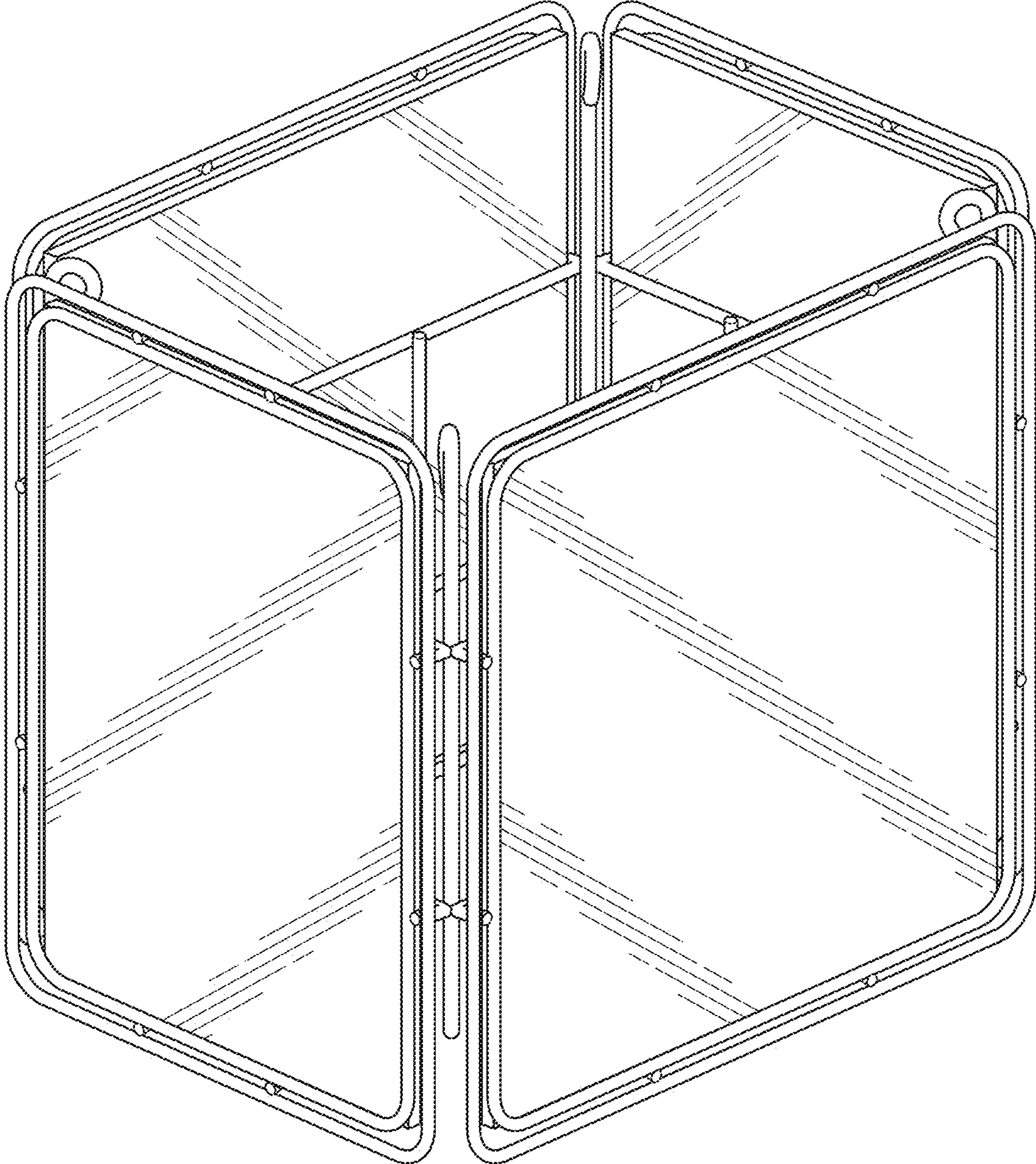


FIG. 1

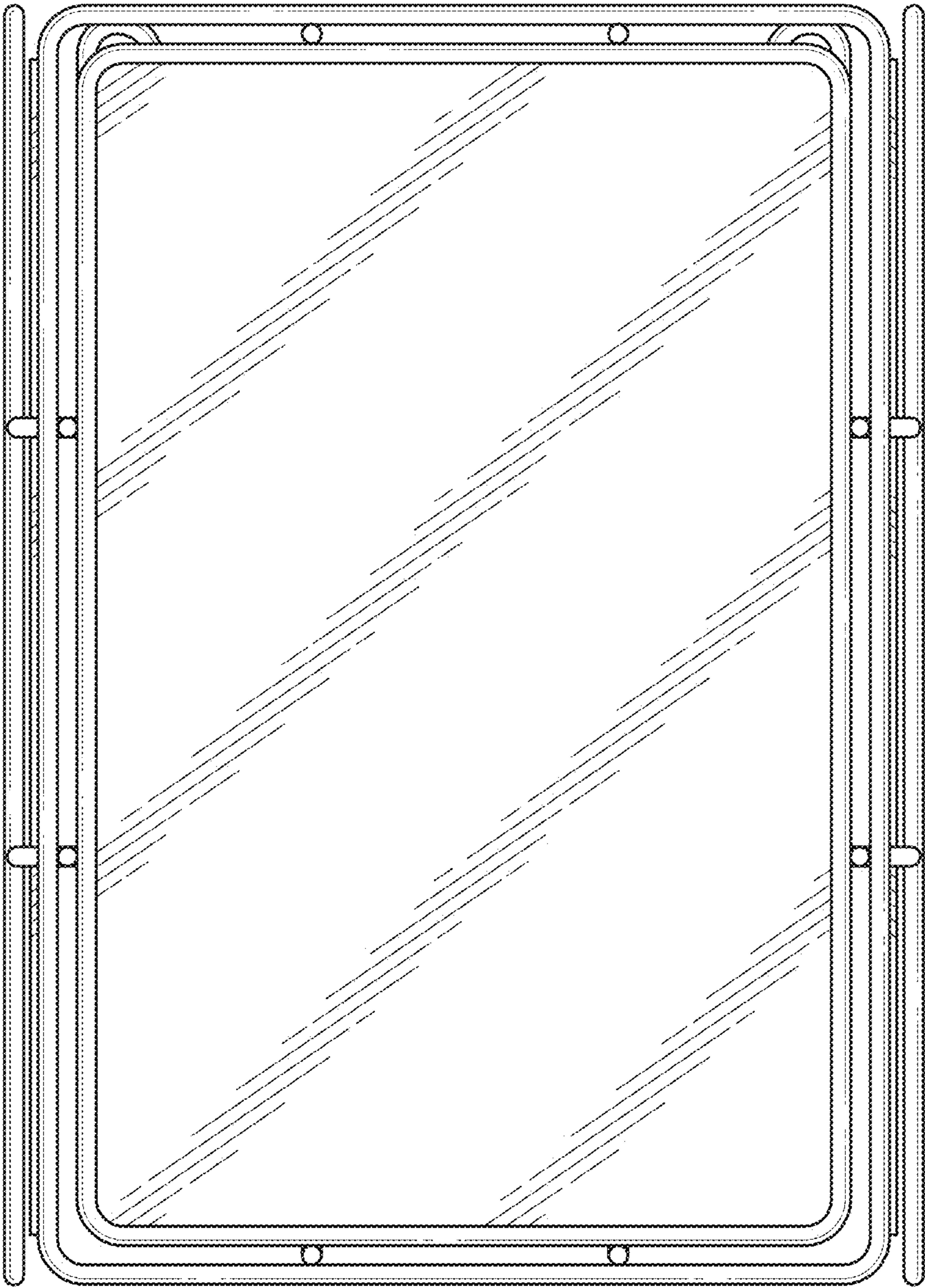


FIG. 2

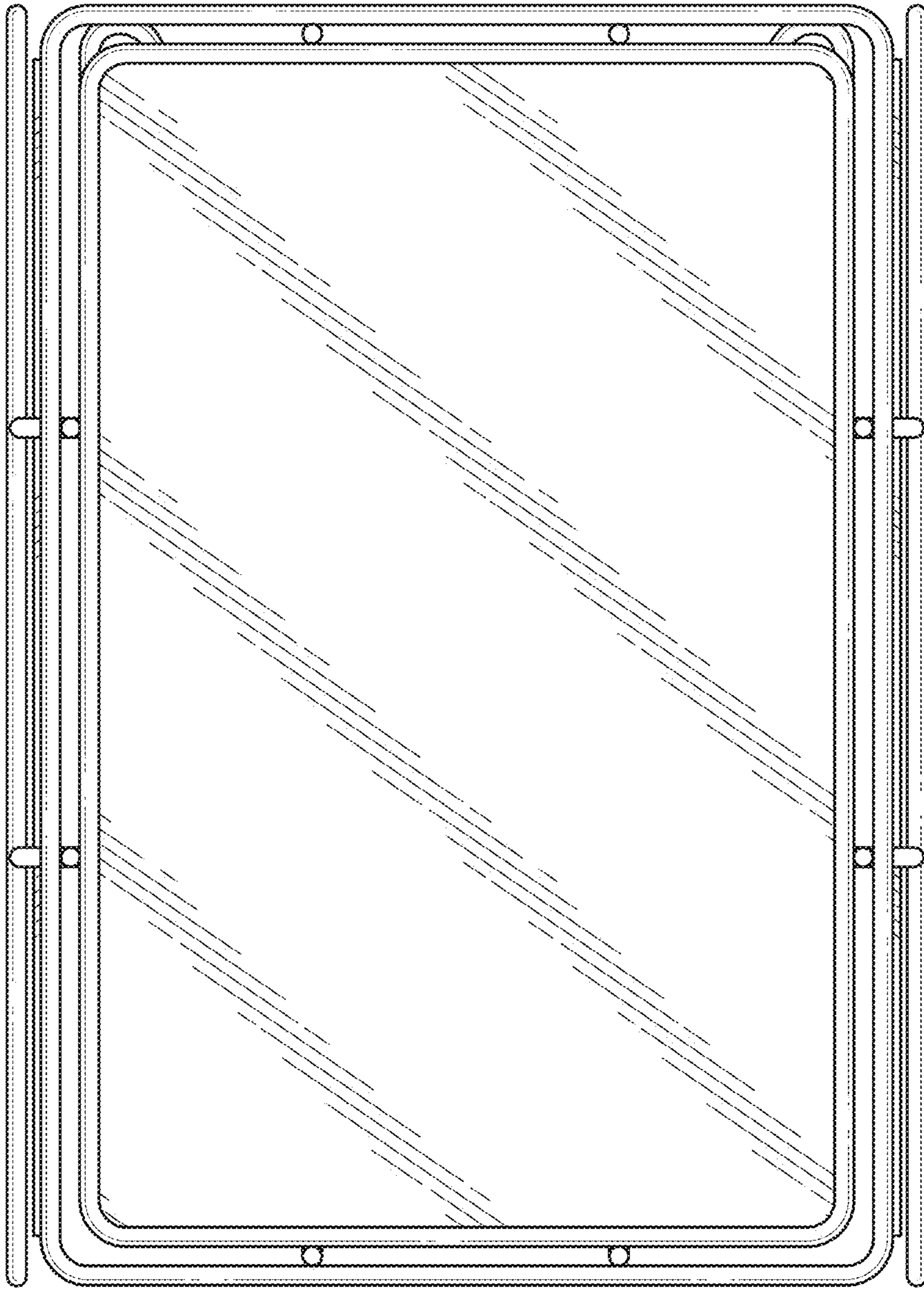


FIG. 3

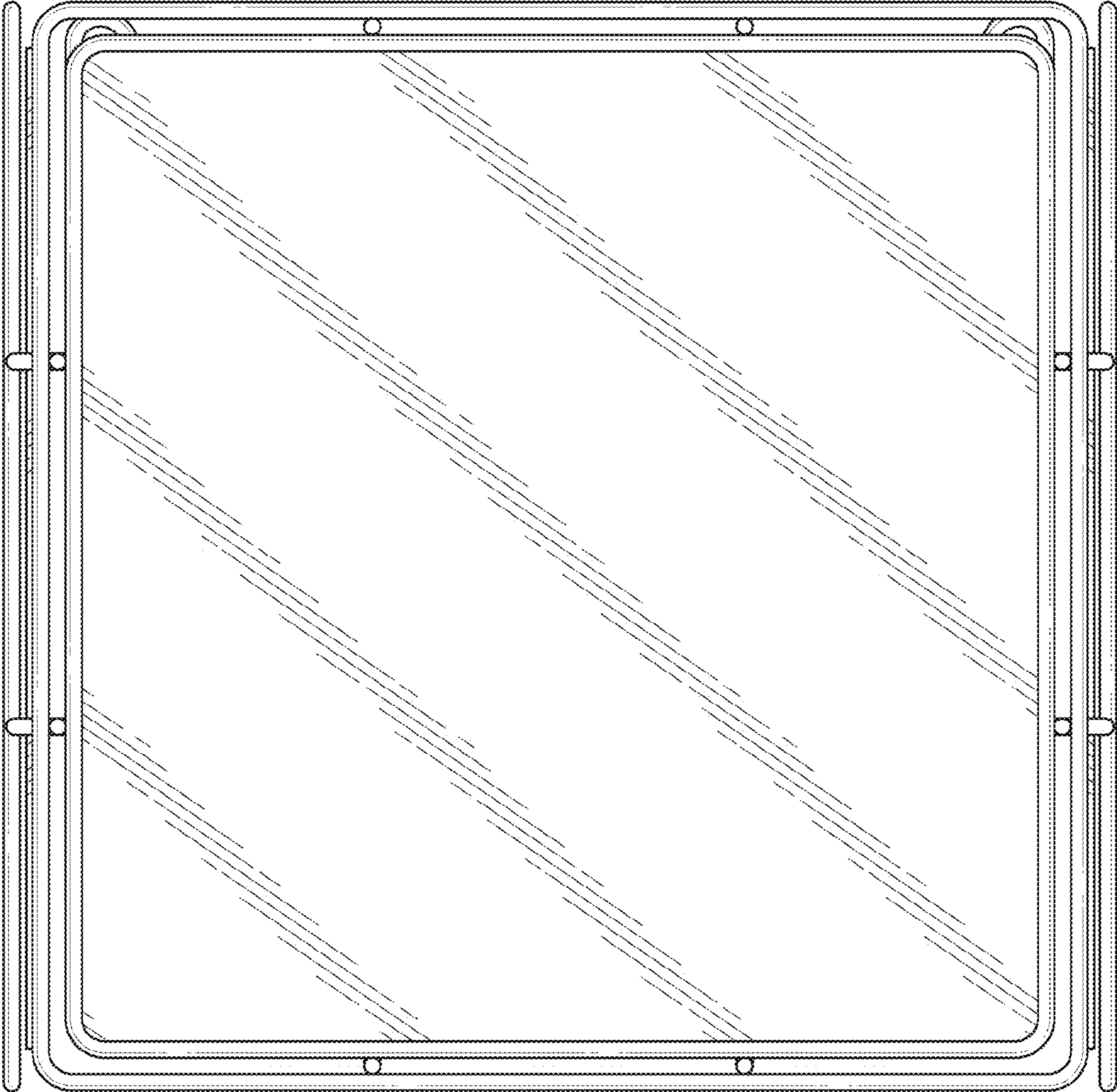


FIG. 4

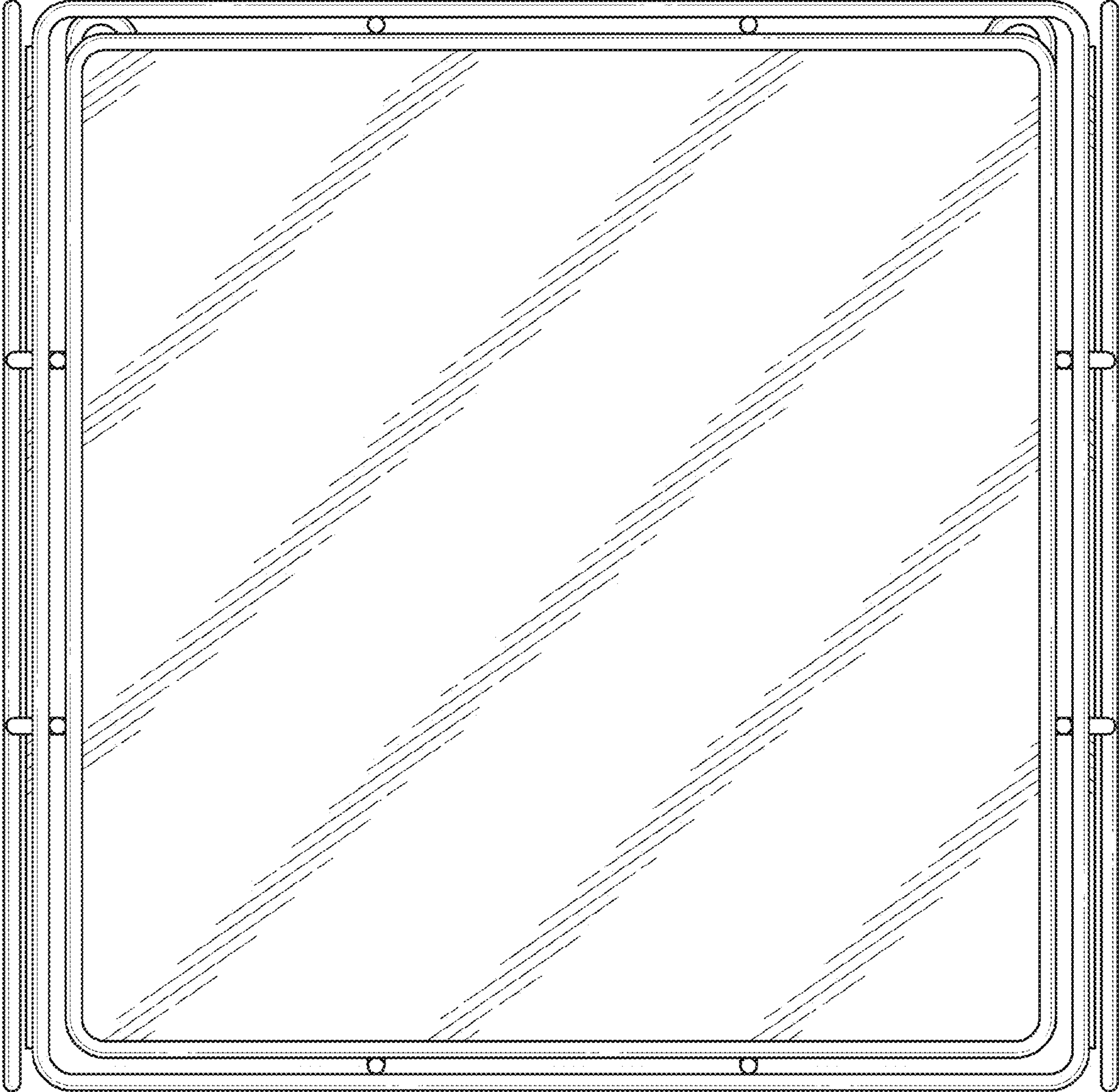


FIG. 5

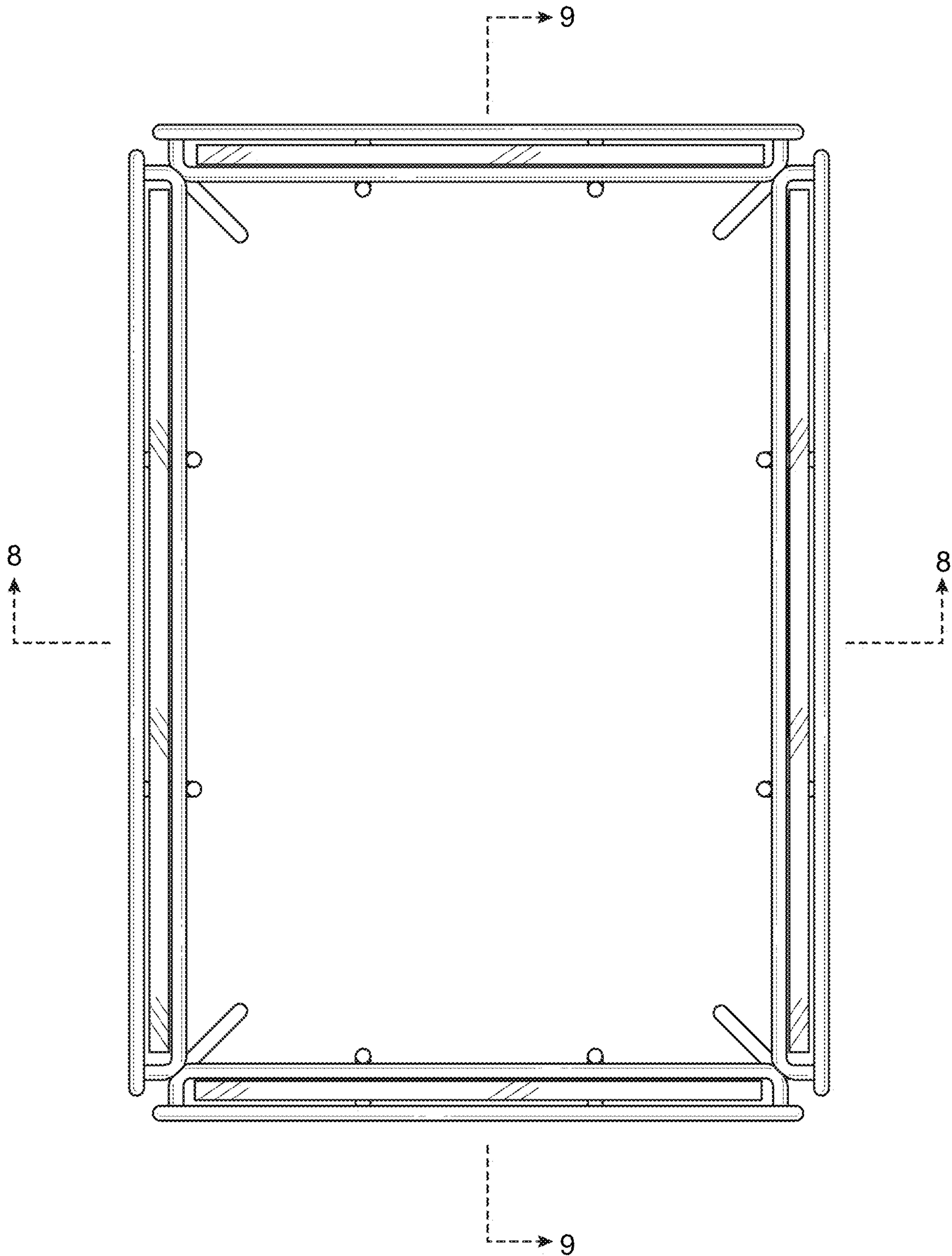


FIG. 6

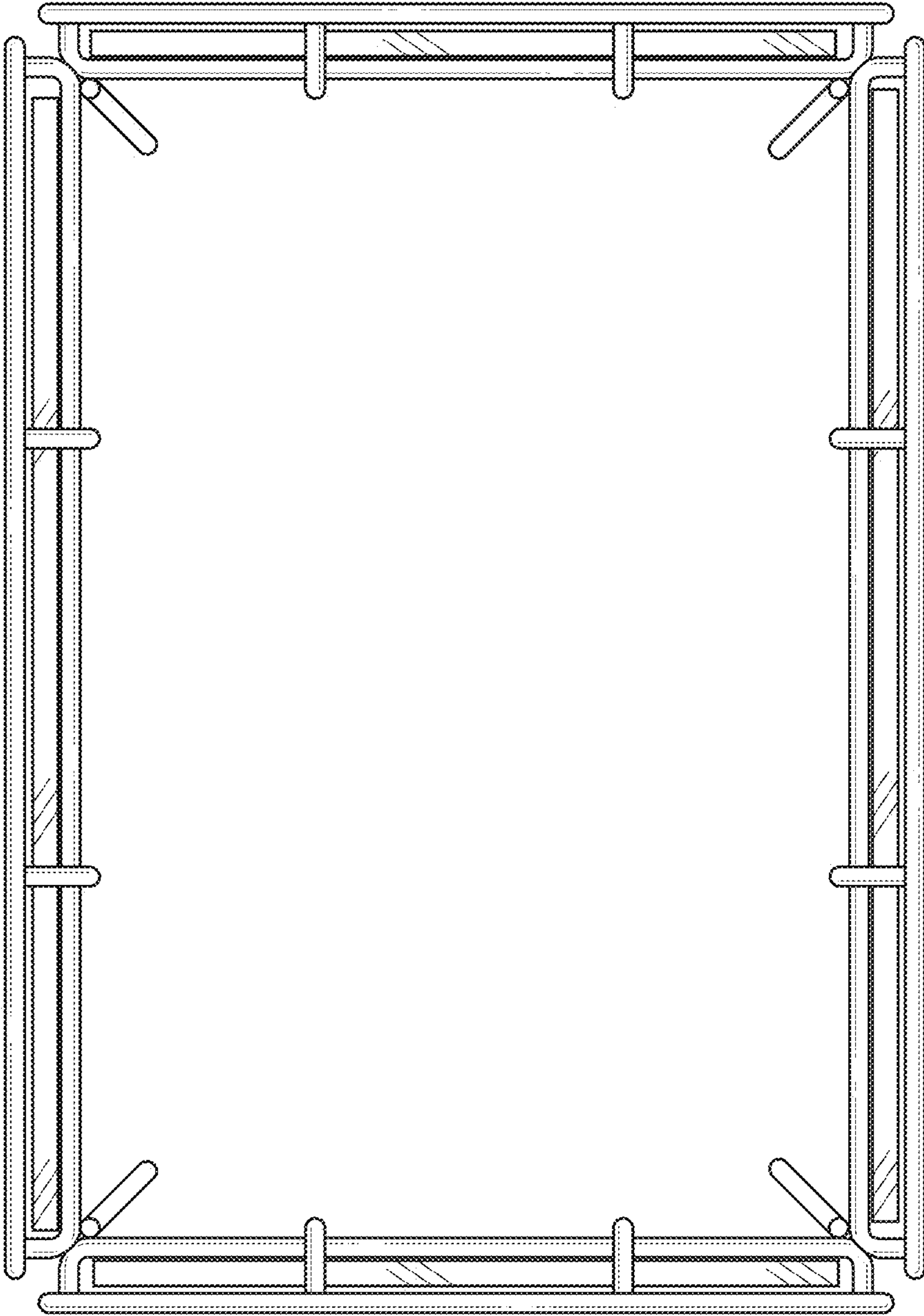


FIG. 7

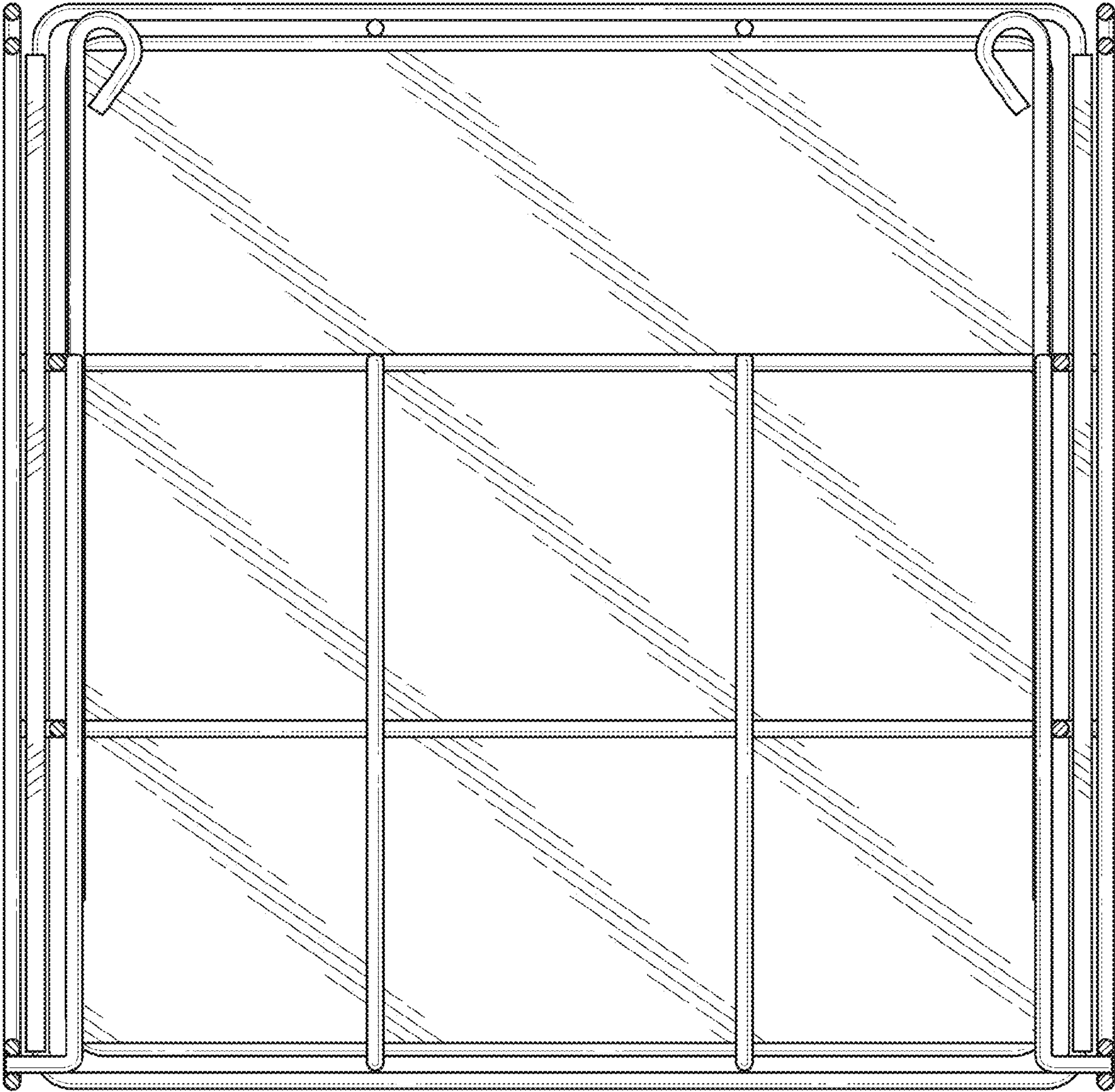


FIG. 8

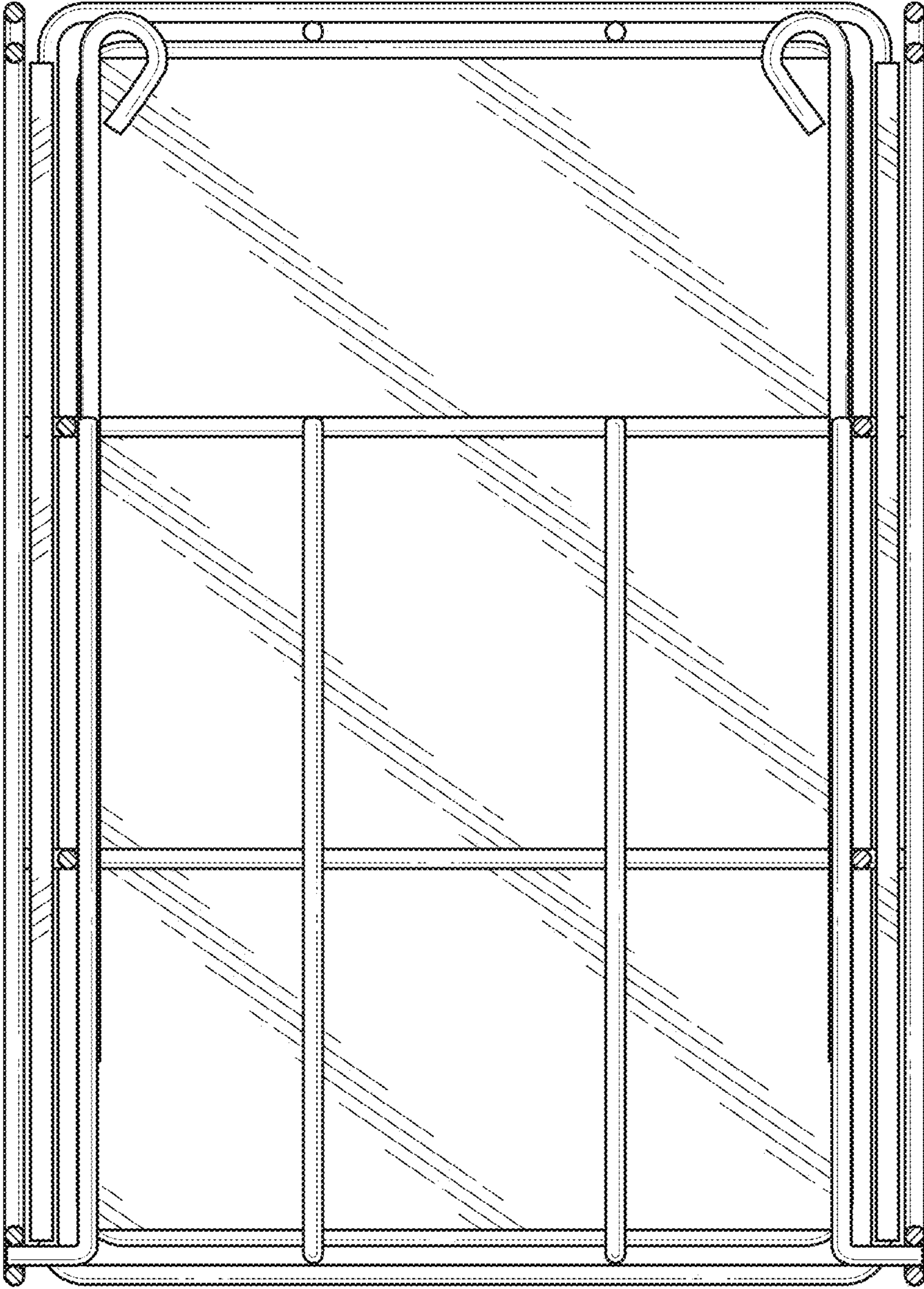


FIG. 9