



US00D932332S

(12) **United States Design Patent** (10) **Patent No.:** **US D932,332 S**
Akana et al. (45) **Date of Patent:** **** Oct. 5, 2021**

(54) **BAND**

(71) Applicant: **Apple Inc.**, Cupertino, CA (US)

(72) Inventors: **Jody Akana**, San Francisco, CA (US); **Molly Anderson**, San Francisco, CA (US); **Bartley K. Andre**, Palo Alto, CA (US); **Shota Aoyagi**, San Francisco, CA (US); **Anthony Michael Ashcroft**, San Francisco, CA (US); **Marine C. Bataille**, San Francisco, CA (US); **Jeremy Bataillou**, San Francisco, CA (US); **Abidur Rahman Chowdhury**, San Francisco, CA (US); **Clara Geneviève Marine Courtaigne**, Palo Alto, CA (US); **Markus Diebel**, San Francisco, CA (US); **Jonathan Gomez Garcia**, San Francisco, CA (US); **M. Evans Hankey**, San Francisco, CA (US); **Julian Hoenig**, San Francisco, CA (US); **Richard P. Howarth**, San Francisco, CA (US); **Jonathan P. Ive**, San Francisco, CA (US); **Julian Jaede**, San Francisco, CA (US); **Duncan Robert Kerr**, San Francisco, CA (US); **Peter Russell-Clarke**, San Francisco, CA (US); **Benjamin Andrew Shaffer**, San Jose, CA (US); **Joe Sung-Ho Tan**, San Francisco, CA (US); **Clement Tissandier**, San Francisco, CA (US); **Eugene Antony Whang**, San Francisco, CA (US); **Rico Zörkendörfer**, San Francisco, CA (US)

(73) Assignee: **Apple Inc.**, Cupertino, CA (US)

(**) Term: **15 Years**

(21) Appl. No.: **29/736,108**

(22) Filed: **May 27, 2020**

(51) **LOC (13) Cl.** **11-01**

(52) **U.S. Cl.**
USPC **D11/3**

(58) **Field of Classification Search**

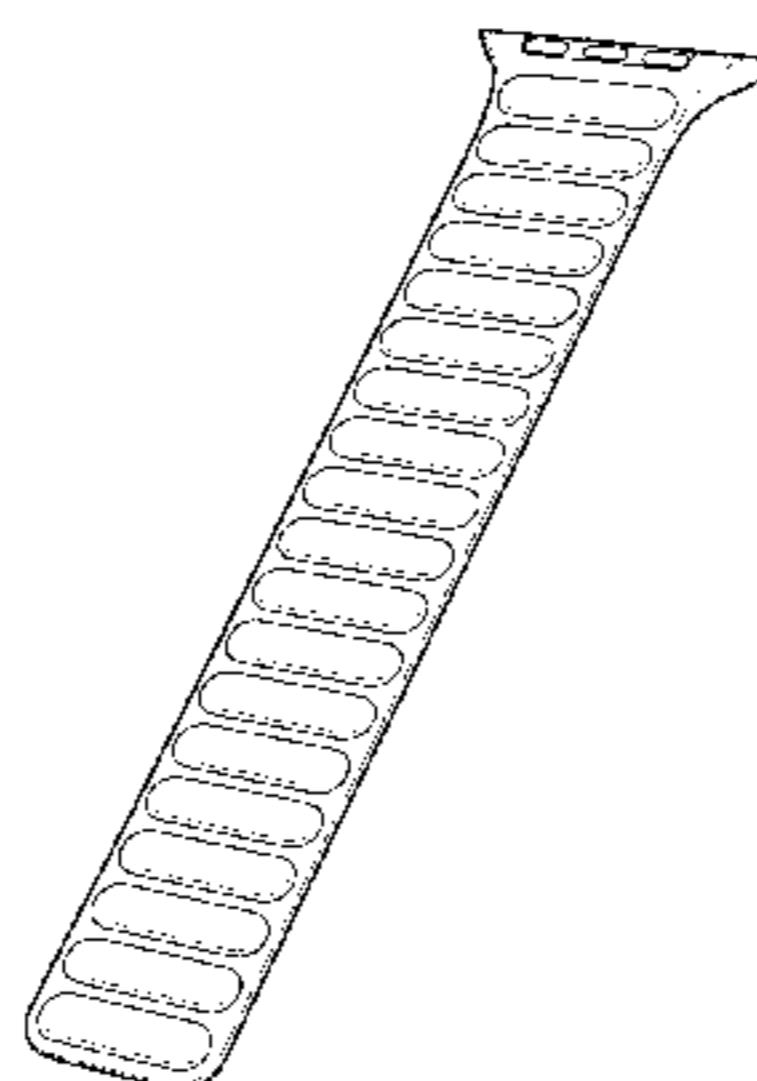
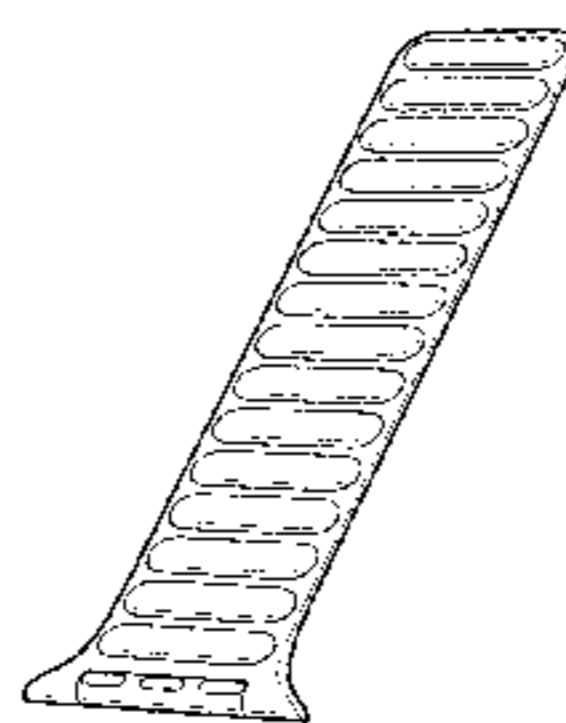
USPC D11/1-3, 12, 15; D10/30, 32, 38, 70;
D14/344; D2/627, 635, 636, 638
CPC A44C 5/00; A44C 5/0007; A44C 5/0015;
A44C 5/0053; A44C 5/0069; A44C
5/142; A44C 5/147; A44C 5/16; G06F
1/163

See application file for complete search history.

(56) **References Cited**

U.S. PATENT DOCUMENTS

D296,766	S	*	7/1988	Pavlovic	D10/32
D303,503	S	*	9/1989	Kai	D10/31
D310,334	S	*	9/1990	Jahan	D10/32
D339,309	S	*	9/1993	Butler	D11/3
D340,664	S	*	10/1993	Butler	D11/3
D563,256	S	*	3/2008	Borraccino	D10/32
D727,199	S	*	4/2015	Akana et al.		
D731,346	S	*	6/2015	Akana et al.		
D737,156	S	*	8/2015	Akana	D10/70
D746,718	S	*	1/2016	Akana	D11/3
D748,009	S	*	1/2016	Akana et al.		
D751,927	S	*	3/2016	Li	D10/32
D756,823	S	*	5/2016	Akana	D10/70
D757,590	S	*	5/2016	Akana	D11/3
D761,793	S	*	7/2016	Akana	D14/344
D772,867	S	*	11/2016	Park	D14/344
D772,871	S	*	11/2016	Park	D14/344
D772,872	S	*	11/2016	Park	D14/344
D779,992	S	*	2/2017	Akana	D11/3
D784,326	S	*	4/2017	Akana	D14/344
D784,327	S	*	4/2017	Akana	D14/344
D789,229	S	*	6/2017	Akana	D11/3
D793,271	S	*	8/2017	Cerrato	D11/3
D795,120	S	*	8/2017	Bayley	D11/3
D795,731	S	*	8/2017	Bayley	D11/3
D848,894	S	*	5/2019	Yu	D11/3
D853,881	S	*	7/2019	Akana et al.		
D854,960	S	*	7/2019	Yu	D11/3
D854,961	S	*	7/2019	Akana	D11/3
D863,096	S	*	10/2019	Akana	D11/3
D865,536	S	*	11/2019	Akana	D10/32
D870,588	S	*	12/2019	Akana	D11/3
D880,338	S	*	4/2020	Akana	D11/3
D903,662	S	*	12/2020	Zhu	D14/344



FOREIGN PATENT DOCUMENTS

CH	141630-0012	7/2015
CN	303402487	10/2015
CN	303437248	11/2015
CN	303437251	11/2015
CN	303561577	1/2016
CN	303616851	3/2016
CN	303946861	11/2016
CN	304775605	8/2018
TN	L/2012/79437-0002	1/2013
TN	L/2013/81346-0001	1/2014
TN	L/2015/87638-0001	6/2016
WO	WO D035289-003	3/1996
WO	WO D042695-012	3/1998
WO	WO D042695-013	3/1998
WO	WO D049228-002	11/1999
WO	WO D059894-001	6/2002
WO	WO D060803-003	8/2002
WO	WO D060838-003	9/2002
WO	WO D065815-002	10/2004

OTHER PUBLICATIONS

40mm Black Leather Link—S/M, Apple.com, dated Nov. 1, 2020. <<https://web.archive.org/web/20201101165417/https://www.apple.com/shop/product/MY9A2AM/A/40mm-black-leather-link-s-m>>.

2020 New Custom Factory Leather Apple Watch Band 38mm 40mm 42mm 44mm Iwatch Apple Watch Band Apple Watch Leather Band, Shenzhen Heibor Technology Co., Ltd., available at least as early as Mar. 2, 2021. <<https://heibor.en.made-in-china.com/product/pFbmcLiHnzKZ/China-2020-New-Custom-Factory-Leather-Apple-Watch-Band-38mm-40mm-42mm-44mm-Iwatch-Apple-Watch-Band-Apple-Watch-Leather-Band.html>>.

VeryBet Unique Designed Leather Band Compatible for Apple Watch Series 5 44mm 42mm 40mm 38mm, Adjustable Loop Strap with Strong Magnetic Closure for iWatch Series 4-3-2-1, Amazon.com, dated Mar. 3, 2021. <https://www.amazon.com/VeryBet-Designed-Compatible-Adjustable-Magnetic/dp/B07XCWSJ9T/ref=sr_1_46?dchild=1&keywords=leather+strap+watch+magnetic&qid=1614595533&sr=8-46>.

House of Quirk 42mm iWatch Leather Strap, Snapdeal, available at least as early as Mar. 2, 2021 <<https://www.snapdeal.com/product/house-of-quirk-42mm-iwatch/650997227709/#bcrumbLabelId:46138844>>.

O'Boyle, Britta "Which Apple Watch and strap is right for you? Series 6, Watch SE, Series 3, Nike+, Hermès or Edition?" dated Jan. 21, 2021. <<https://www.pocket-lint.com/smartwatches/buyers-guides/apple/133135-which-apple-watch-and-strap-is-right-for-you>>.

WsC® Leather Link—Black, The Watch Strap Co., available at least as early as Mar. 2, 2021. <<https://thewatchstrap.co/product/wsc-leather-link-black/>>.

Miller, Chance. "[Update: New pictures and video] Leaked images may show redesigned Leather Loop for Apple Watch", dated May 28, 2020. <<https://9to5mac.com/2020/05/28/apple-watch-leather-loop-new-design/>>.

LIRAMARK Leather Loop Strap Band Compatible with Apple Watch/iWatch Series 4/3/2/1 (42/44 mm)—Forest Green, Amazon.com, dated Dec. 30, 2019. <https://www.amazon.in/LIRAMARK-Leather-Strap-Compatible-iWatch/dp/B083BXMDQ5/ref=asc_df_B083BXMDQ5/?tag=googleshopdes-21&linkCode=df0&hvadid=407311979038&hvpos=&hvnetw=g&hvrnd=1532396591209204902&hvpone=&hvptwo=&hvqmt=&hvdev=c&hvdvcmdl=&hvlocint=&hvlocphy=1007765&hvtargid=pla-864473011428&pssc=1&ext_vrnc=hi>.

V-TAN Grained Leather Soft Cushioned Adjustable Strap with Secure Magnetic Closure System For iWatch 42/44mm Smart

Watch Strap (Brown), Flipkart.com, available at least as early as Mar. 2, 2021. <https://www.flipkart.com/v-tan-grained-leather-soft-cushioned-adjustable-strap-secure-magnetic-closure-system-iwatch-42-44mm-smart-watch/p/itm5c111a2c9941f?pid=SBWFWYZZ2WPBPZUD&lid=LSTSBWFWYZZ2WPBPZUDRKD0AQ&marketplace=FLIPKART&fm=productRecommendation%2Fsimilar&iid=R%3As%3Bp%3ASBWF2PHZJW47UVEB%3Bpt%3App%3Buid%3Aa8337b22-7a5f-11eb-bfd5-071119e44916%3B.SBWFWYZZ2WPBPZUD&ppt=pp&ppn=pp&ssid=01r40rt9680000001614583535830&otracker=pp_reco_Similar%2BProducts_28_V-TAN%2BGrained%2BLeather%2BSoft%2BCushioned%2BAdjustable%2BStrap%2Bwith%2BSecure%2BMagnetic%2BClosure%2BSystem%2BFor%2BiWatch%2B42%252F44mm%2BSmart%2BWatch%2BStrap_SBWFWYZZ2WPBPZUD_productRecommendation%2Fsimilar_27&otracker1=pp_reco_NA_productRecommendation%2Fsimilar_Similar%2BProducts_DESKTOP_HORIZONTAL_productCard_cc_28_NA_view-all&cid=SBWFWYZZ2WPBPZUD1>.

Leather Loop Strap for Apple Iwatch 44mm 40mm Iwatch series 5 4 3 2 1, kalakaarindiaa.com, available at least as early as Mar. 2, 2021. <https://kalakaarindiaa.com/products/leather-loop-strap-for-apple-iwatch-44mm-40mm-iwatch-series-5-4-3-2-1?variant=31992490098739¤cy=INR&utm_medium=product_sync&utm_source=google&utm_content=sag_organic&utm_campaign=sag_organic&utm_campaign=gs-2020-09-13&utm_source=google&utm_medium=smart_campaign&gclid=EALalQobChMlvlnjoruO7wIVln0rCh0pbA2UEAQYAIABEgJujvD_BwE>.

Teclusive Ultra Luxury Leather Magnetic Strap Loop 42mm/44mm Compatible for iWatch Series 6 Series SE Series 5 Series 4 Series 3 Series 2 (Black), Amazon.com, dated Feb. 17, 2019. <<https://www.amazon.in/Teclusive-Luxury-Leather-Magnetic-iWatch/dp/B07NV2TBJJ>>.

Devia Apple Watch 40mm / 38mm Leather Loop Strap—Forest Green, MobileFun.com, available at least as early as Mar. 2, 2021. <<https://www.mobilefun.co.uk/devia-apple-watch-40mm-38mm-leather-loop-strap-forest-green-80775>>.

* cited by examiner

Primary Examiner — Llorellys Martinez
(74) *Attorney, Agent, or Firm* — Sterne, Kessler, Goldstein & Fox P.L.L.C.

(57)

CLAIM

The ornamental design for a band, as shown and described.

DESCRIPTION

FIG. 1 is a bottom front perspective view of a band showing the claimed design;

FIG. 2 is a bottom rear perspective view thereof;

FIG. 3 is a front view thereof;

FIG. 4 is a rear view thereof;

FIG. 5 is a right side view thereof;

FIG. 6 is a left side view thereof;

FIG. 7 is a top view thereof;

FIG. 8 is a bottom view thereof; and,

FIG. 9 is another perspective view thereof, showing the band in an environment in which it may be used.

The broken lines in FIG. 9 represent environmental subject matter that forms no part of the claimed design.

1 Claim, 4 Drawing Sheets

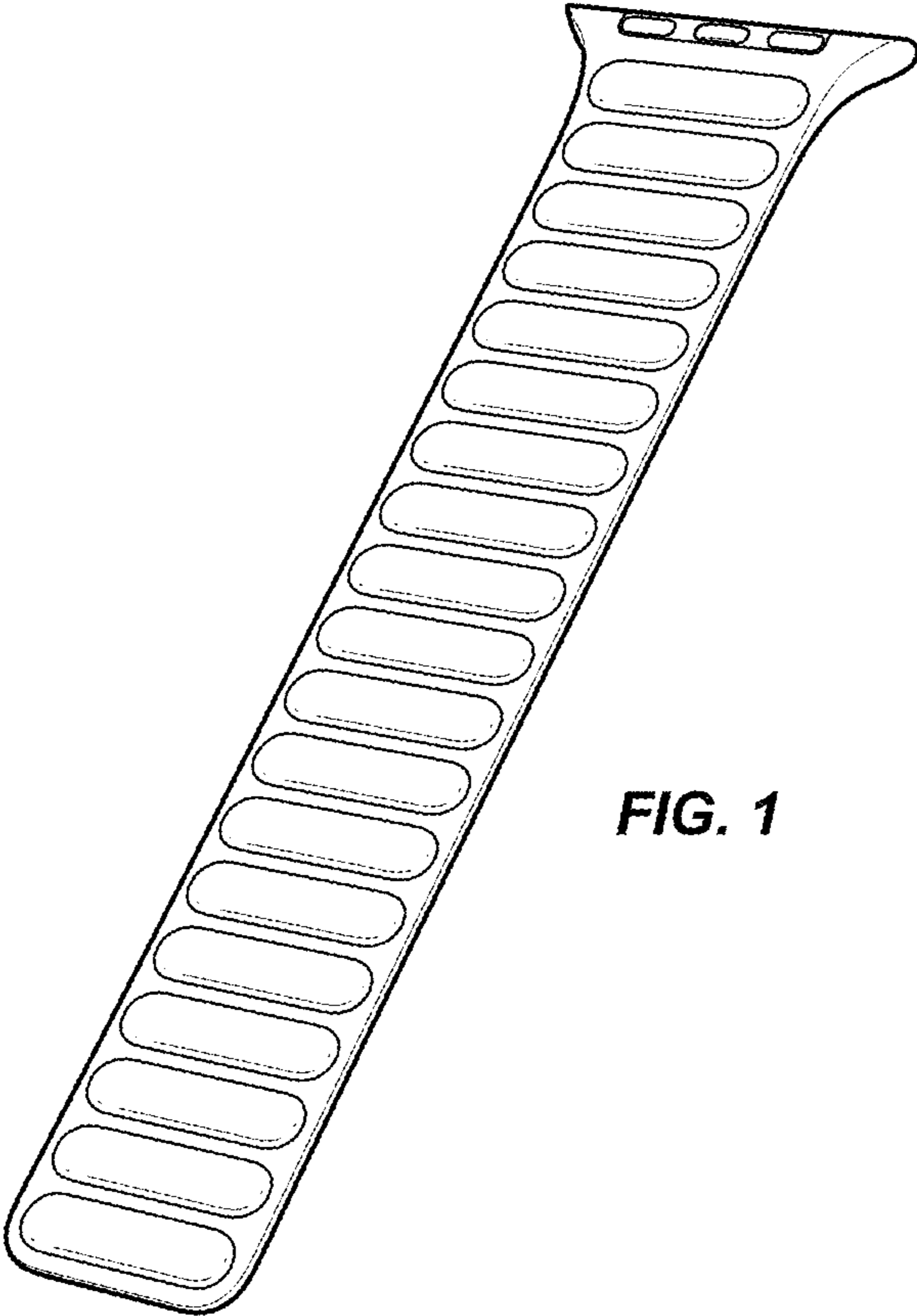
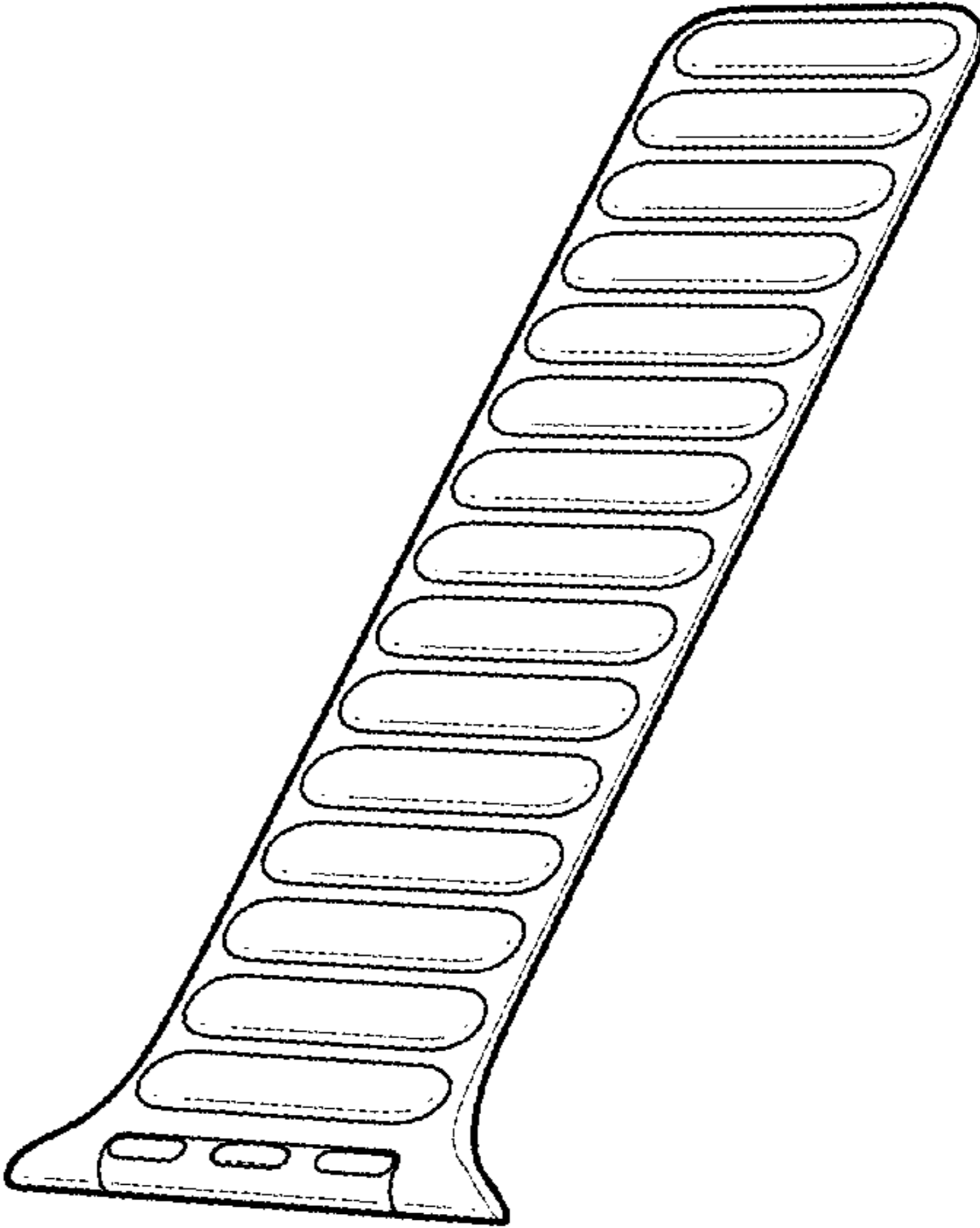


FIG. 1

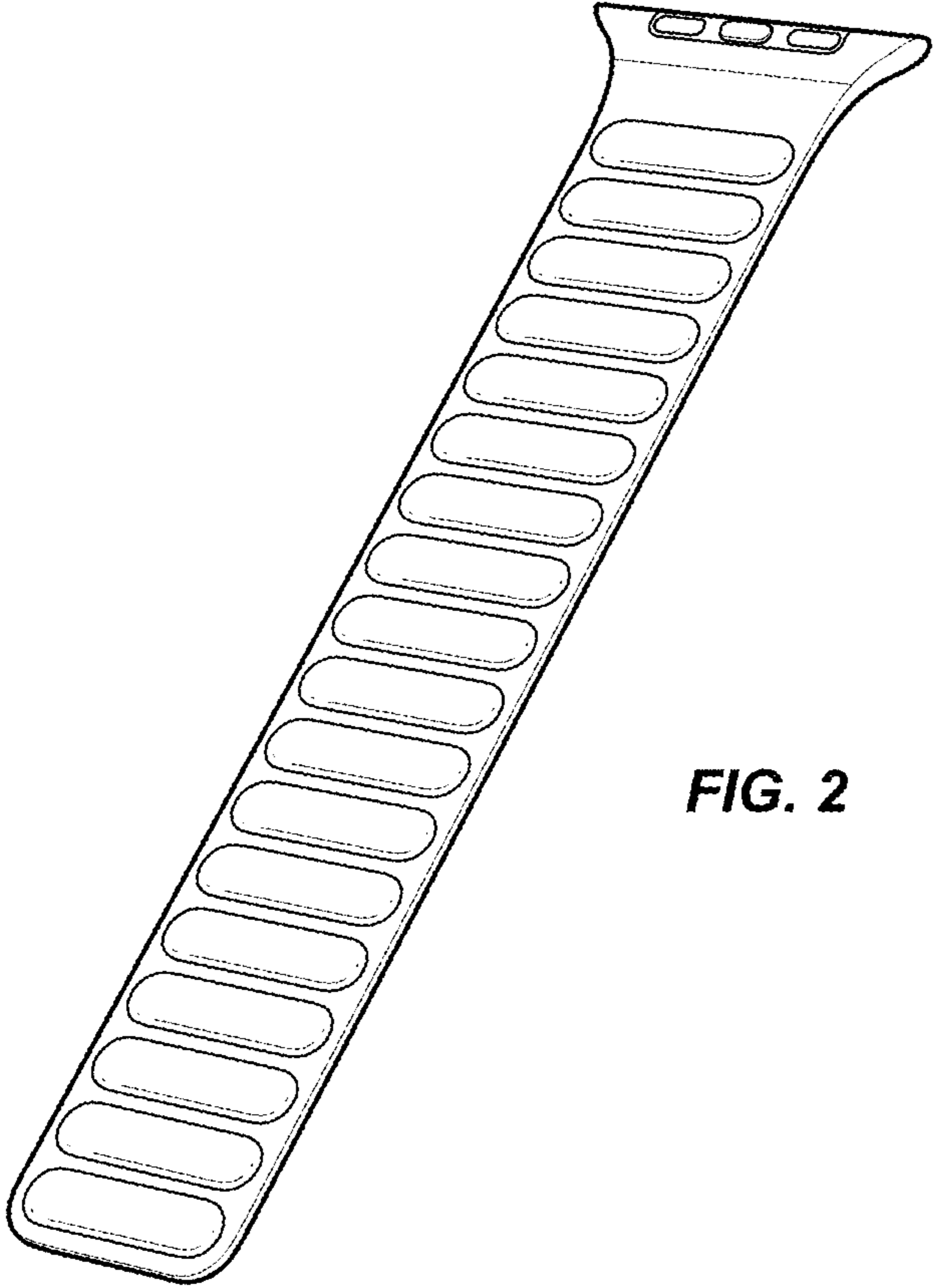
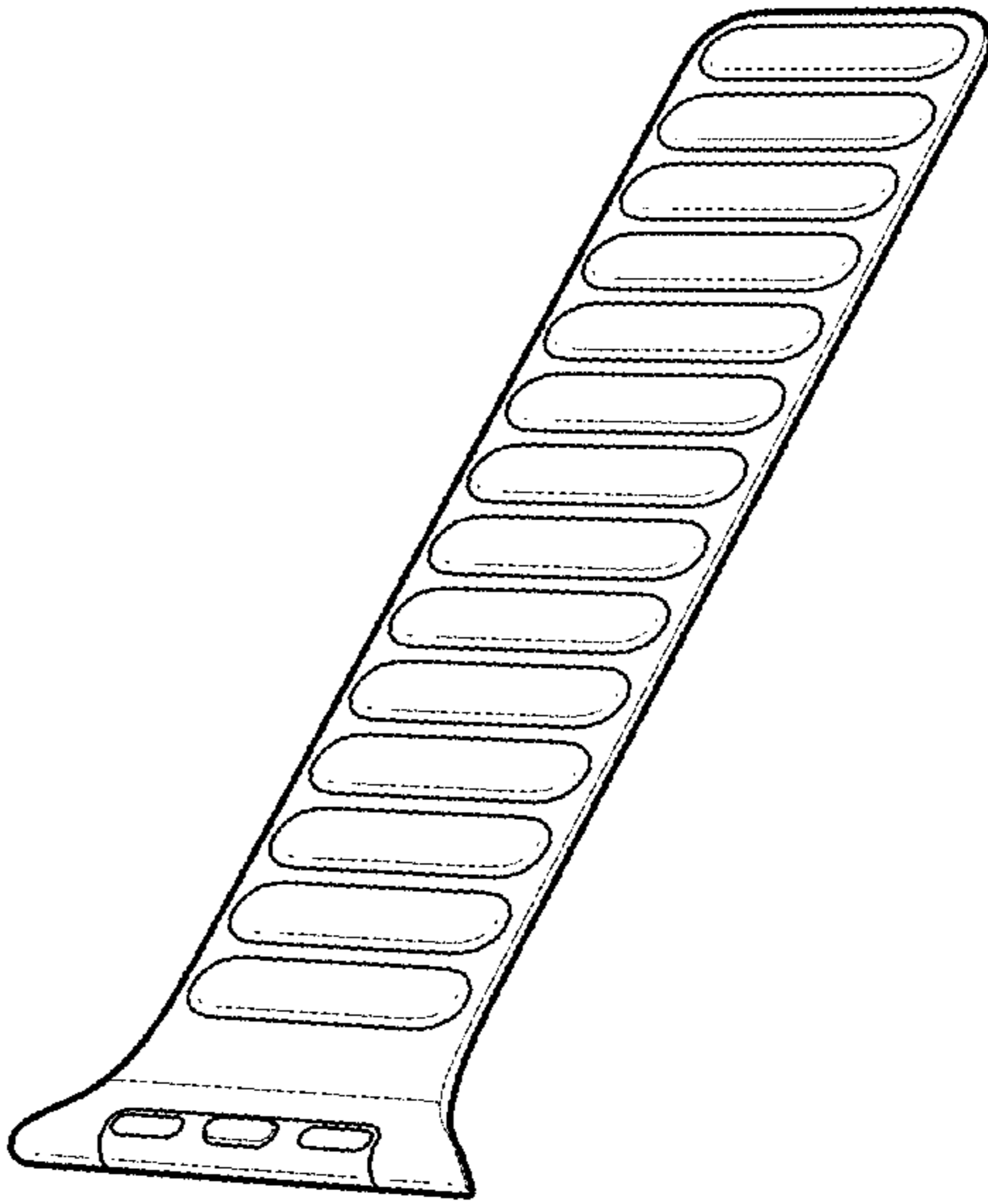


FIG. 2

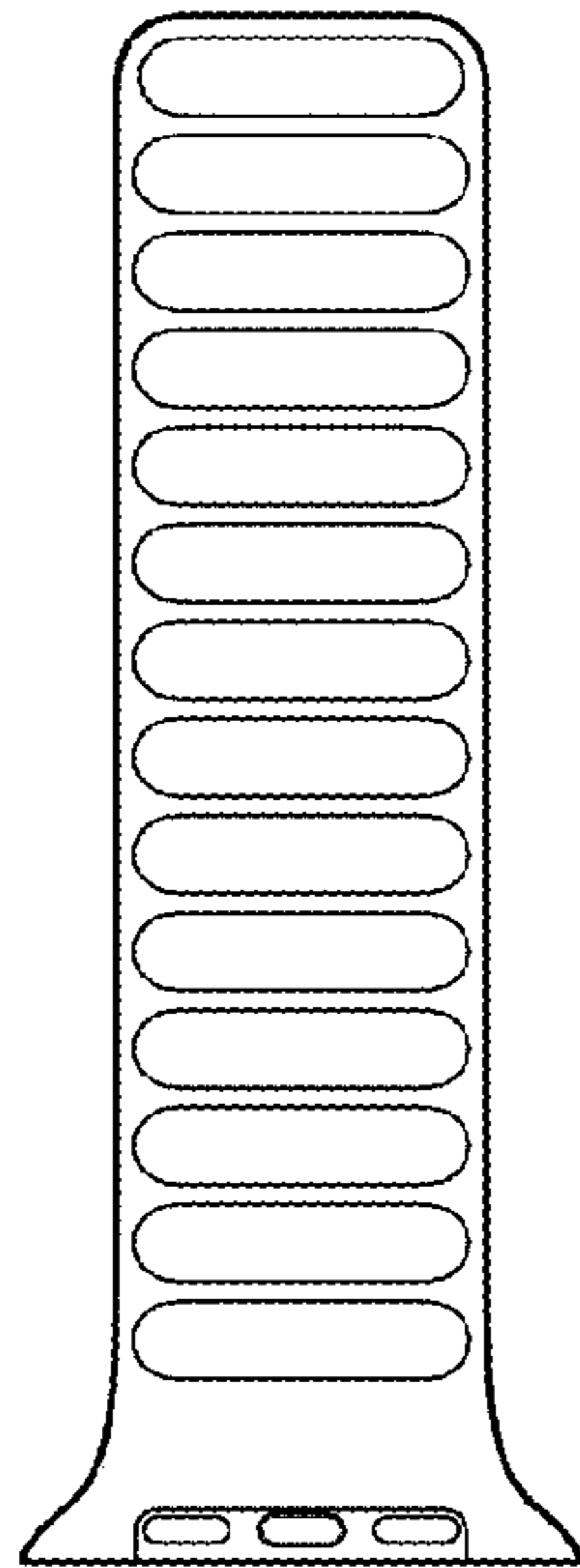
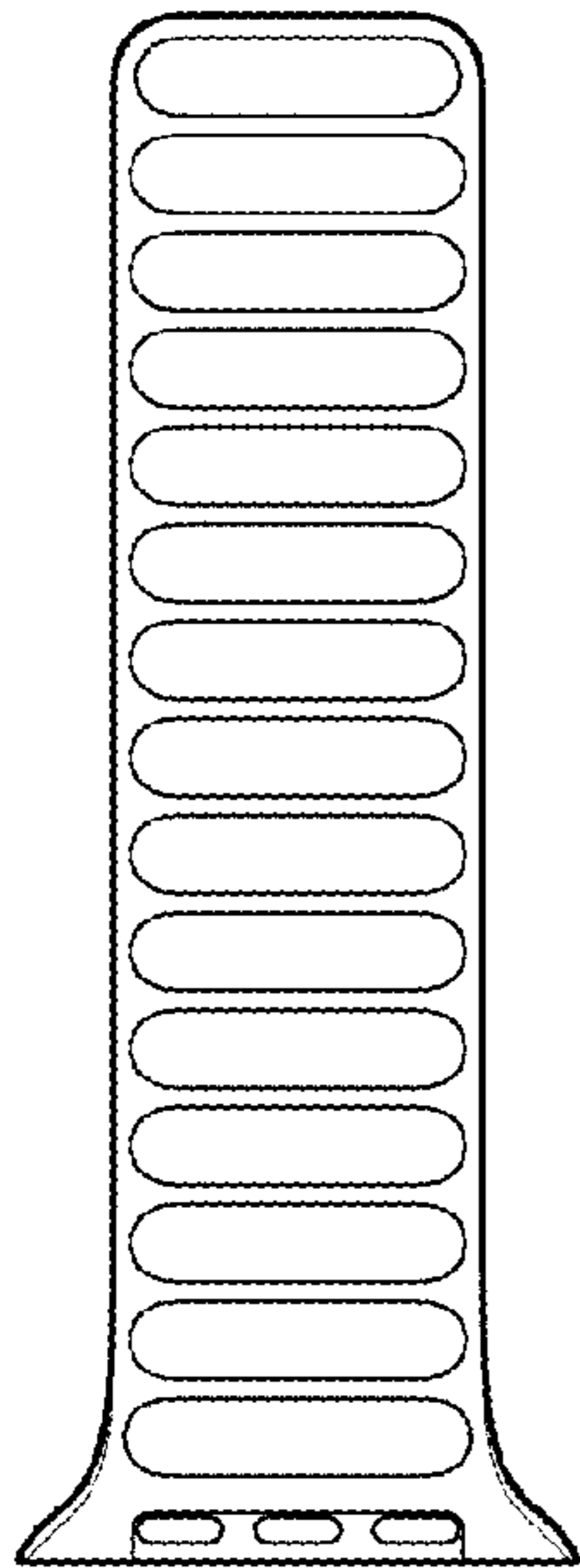


FIG. 7

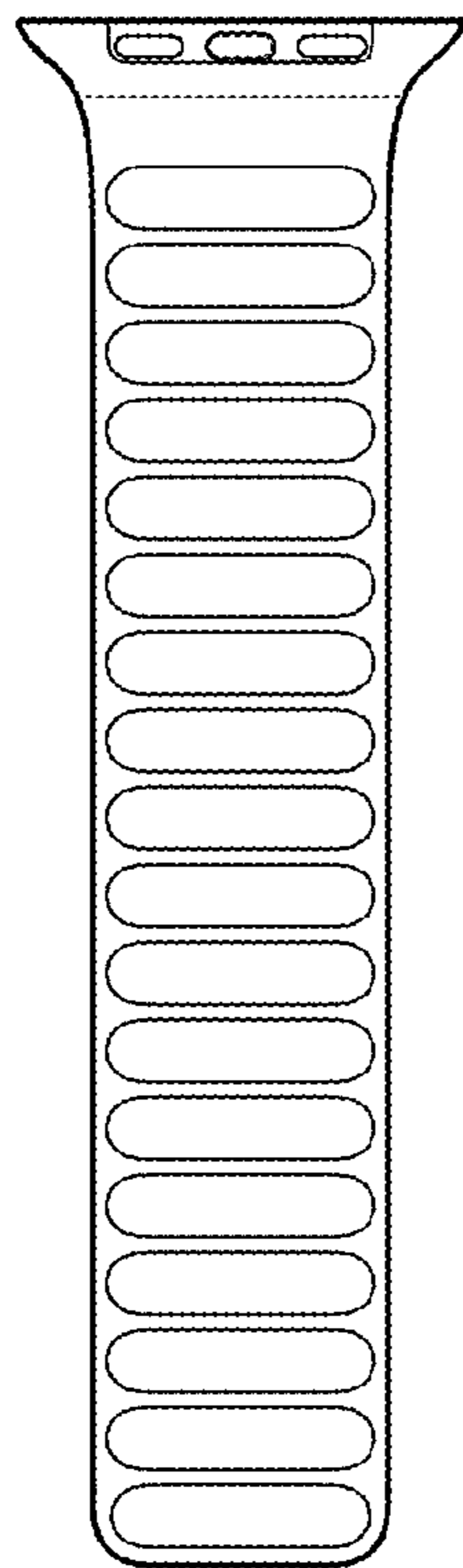
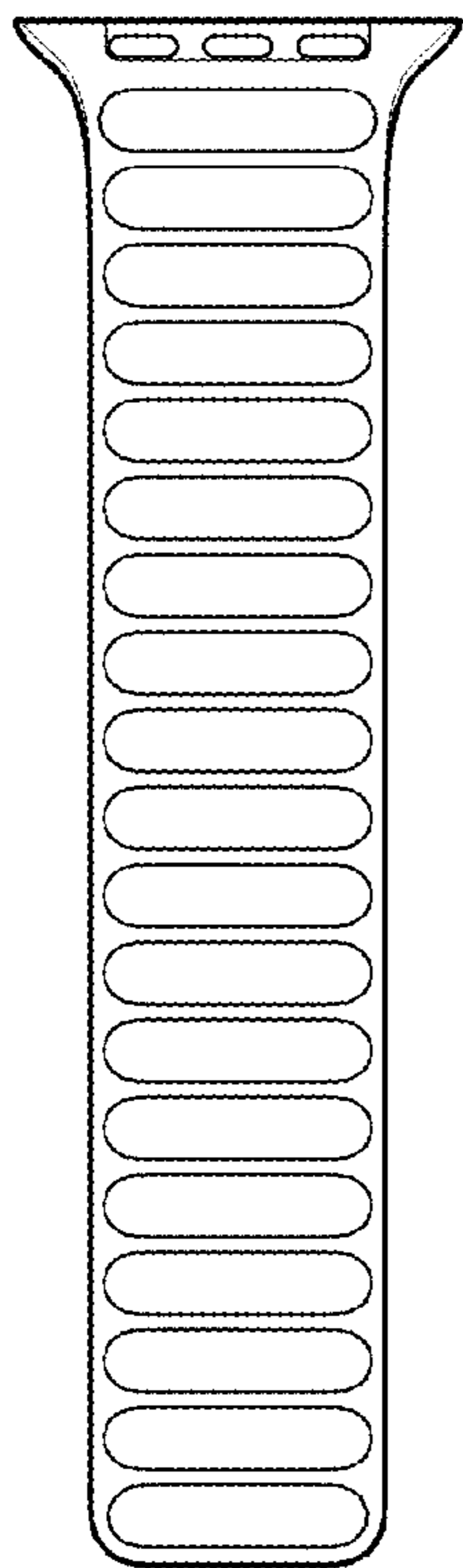


FIG. 8

FIG. 3

FIG. 4

FIG. 5

FIG. 6

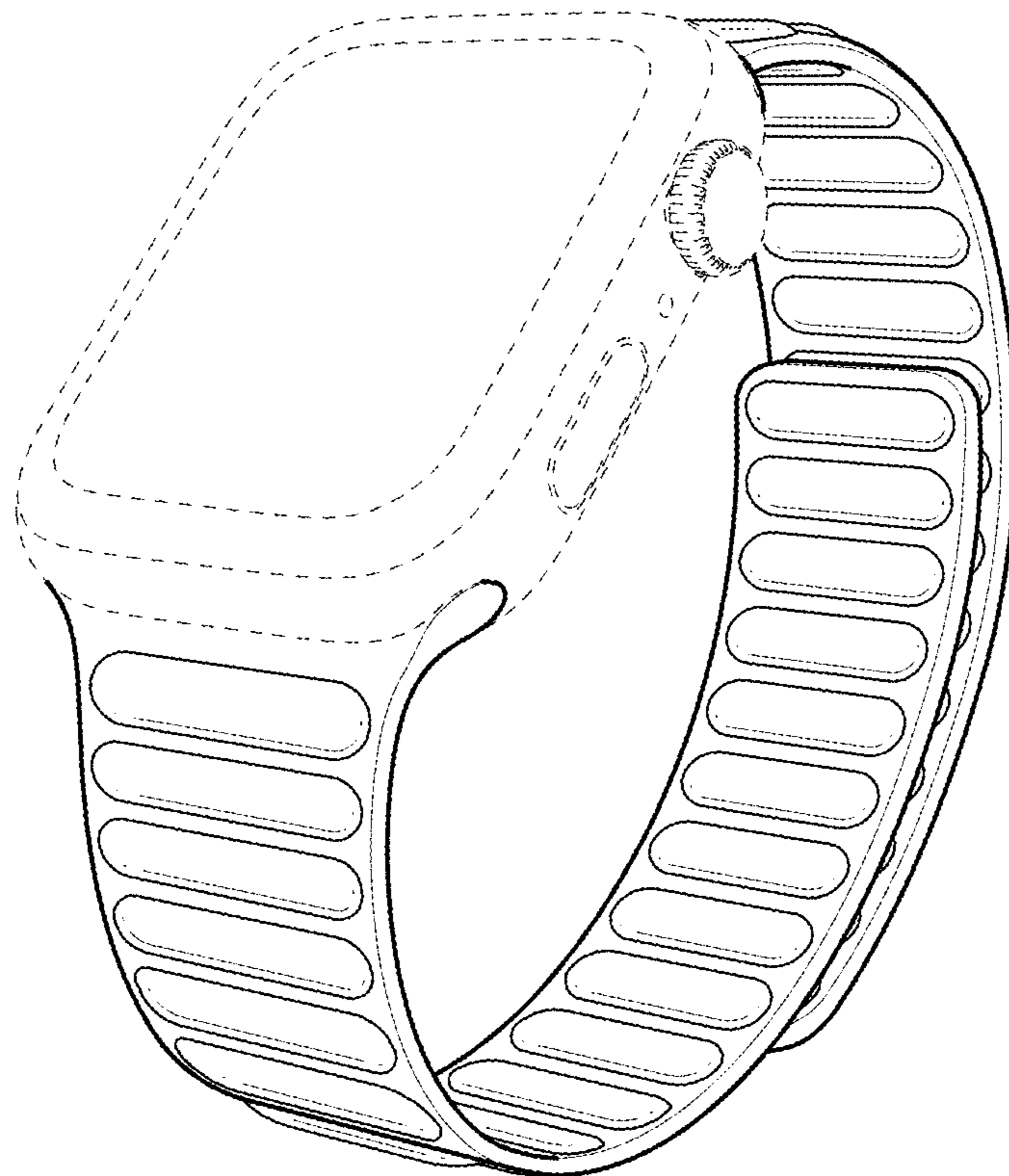


FIG. 9