



US00D932331S

(12) **United States Design Patent** (10) **Patent No.:** **US D932,331 S**
Behling (45) **Date of Patent:** **** Oct. 5, 2021**

(54) **OSCILLATING WEIGHT**

(71) Applicant: **LVMH SWISS MANUFACTURES SA, La Chaux-de-Fonds (CH)**

(72) Inventor: **Christoph Behling, Londres (GB)**

(**) Term: **15 Years**

(21) Appl. No.: **35/510,101**

(22) Filed: **Jul. 9, 2019**

(80) **Hague Agreement Data**

Int. Filing Date: **Jul. 9, 2019**
 Int. Reg. No.: **DM/209758**
 Int. Reg. Date: **Jul. 9, 2019**
 Int. Reg. Pub. Date: **Aug. 21, 2020**

(30) **Foreign Application Priority Data**

Jan. 11, 2019 (WO) IBDM/201367

(51) **LOC (13) Cl.** **10-07**

(52) **U.S. Cl.**
USPC **D10/128**

(58) **Field of Classification Search**

USPC D10/128-130
See application file for complete search history.

(56) **References Cited**

U.S. PATENT DOCUMENTS

D481,323 S * 10/2003 Filiberti D10/128
 D481,644 S * 11/2003 Filiberti D10/128

* cited by examiner

Primary Examiner — George D. Kirschbaum

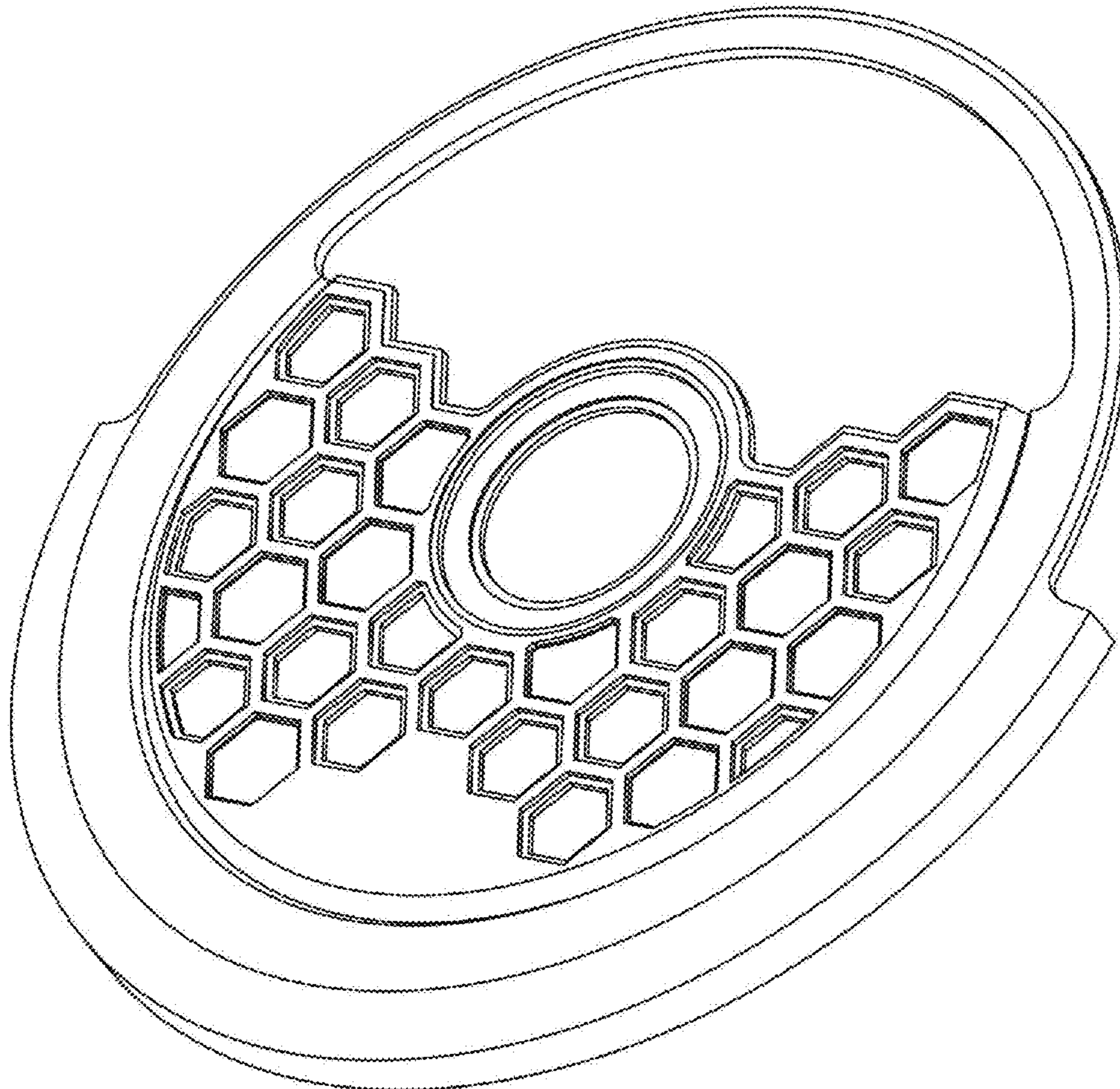
(57) **CLAIM**

The ornamental design for oscillating weight, as shown and described.

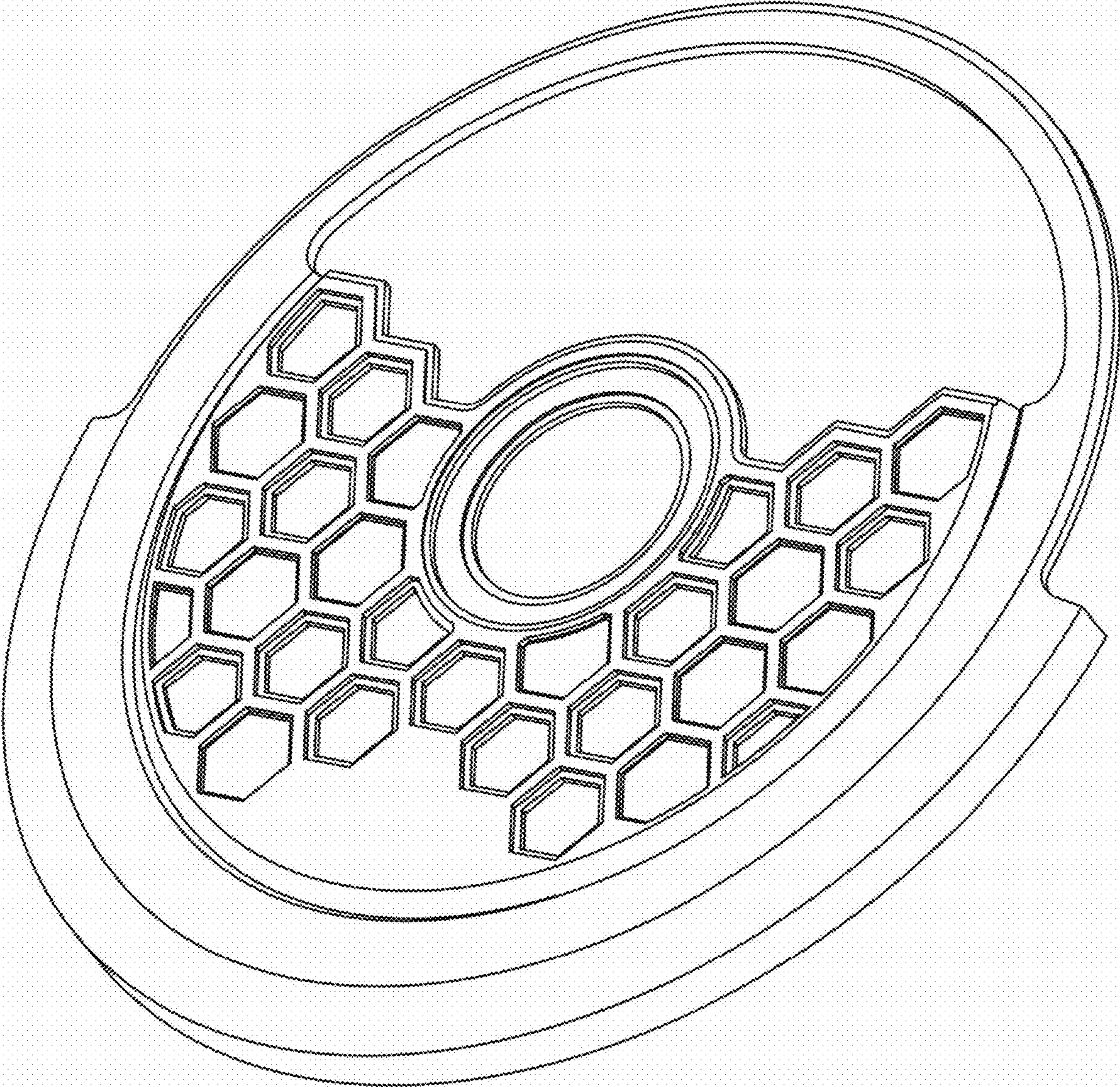
DESCRIPTION

- 1. Oscillating weight
- 1.1 : Perspective
- 1.2 : Front
- 1.3 : Back
- 1.4 : Right
- 1.5 : Left
- 1.6 : Bottom
- 1.7 : Top

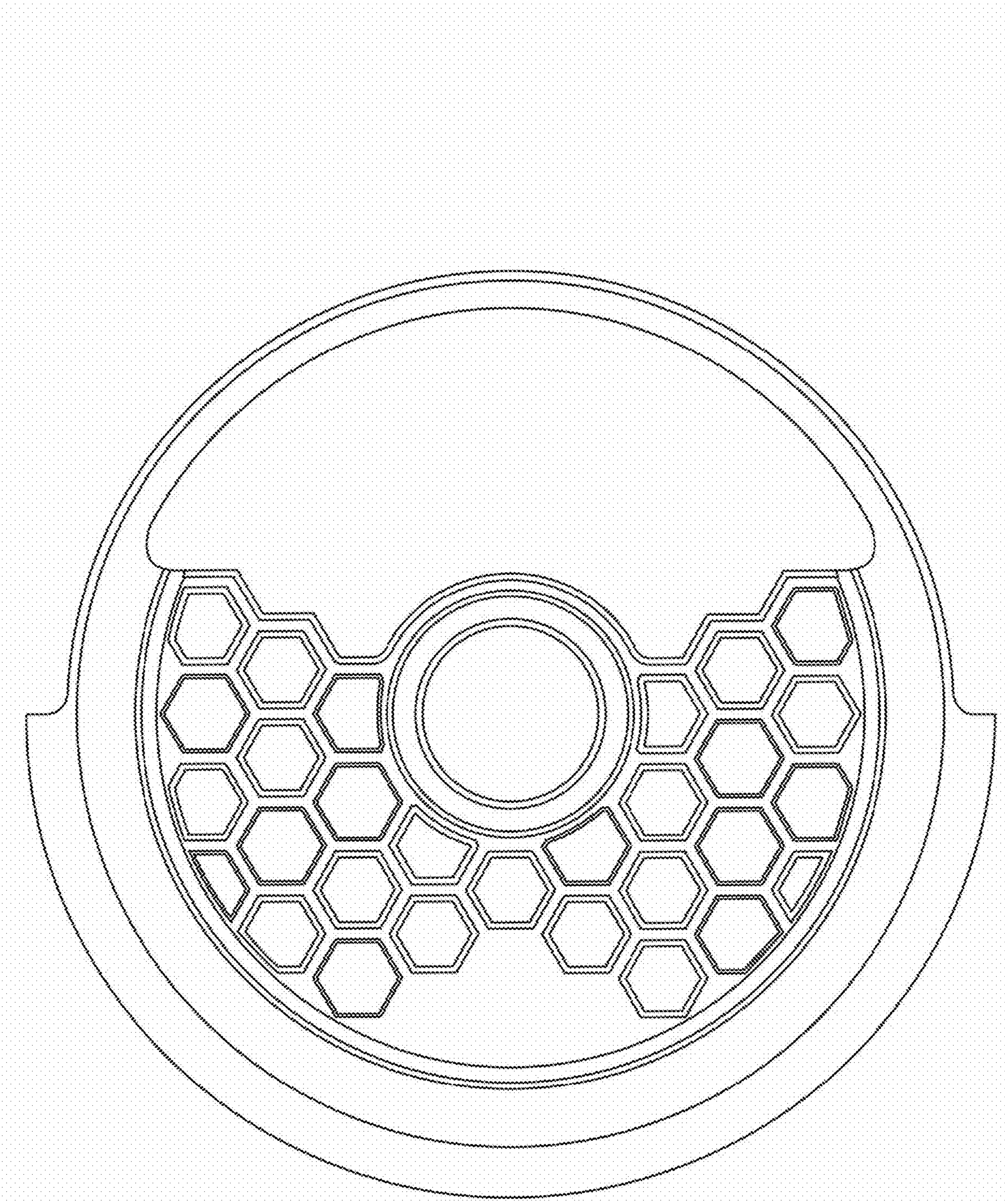
1 Claim, 7 Drawing Sheets



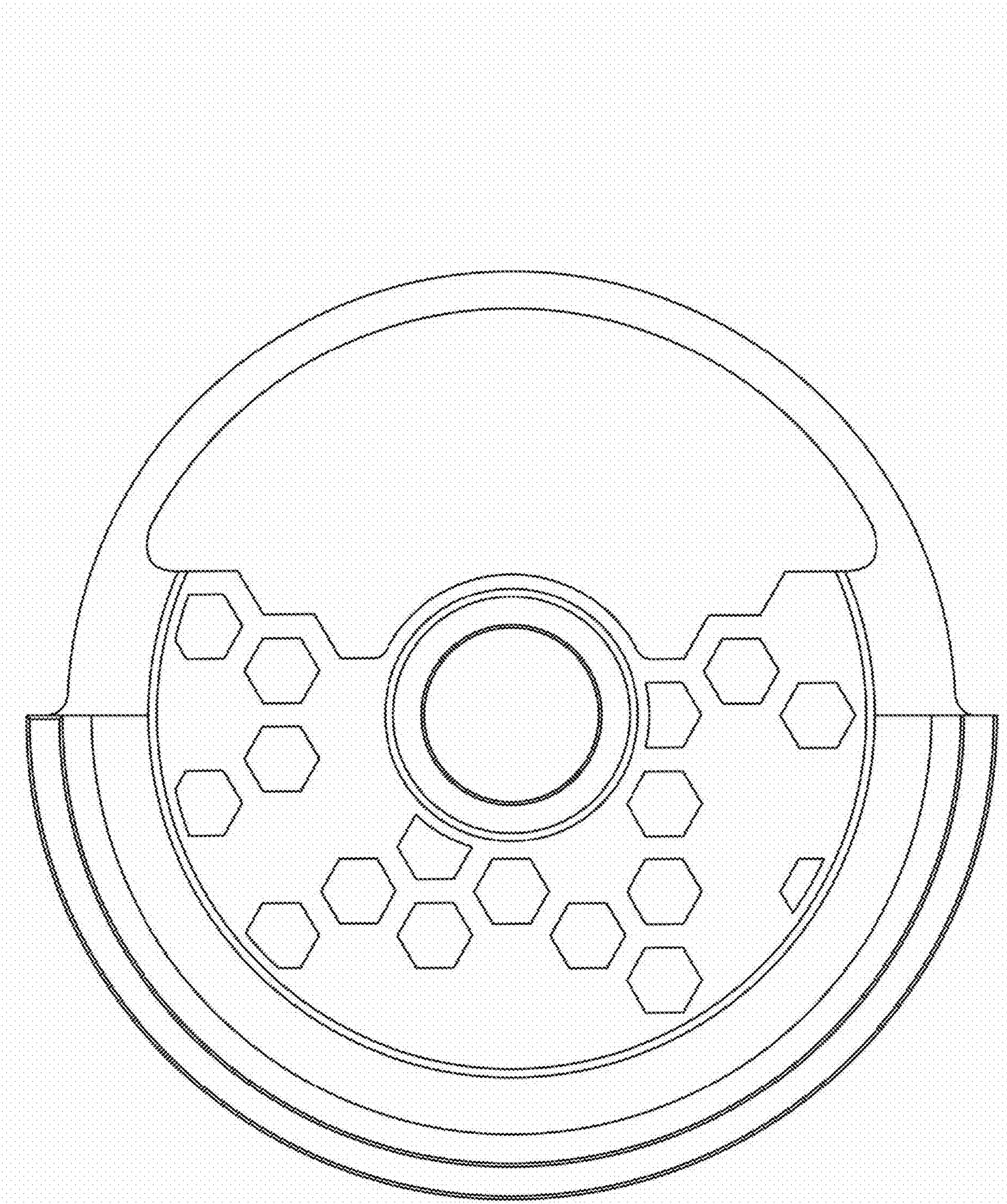
1.1



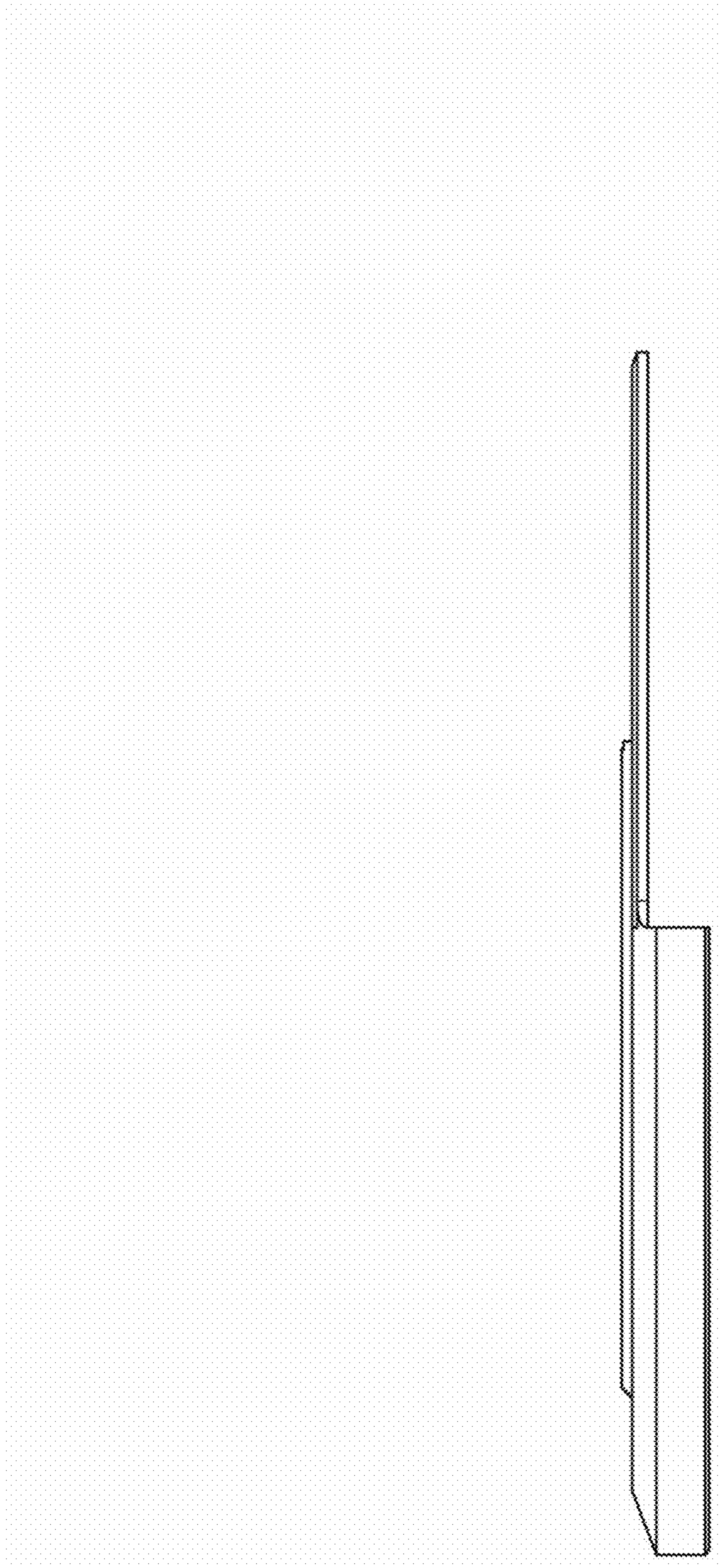
1.2



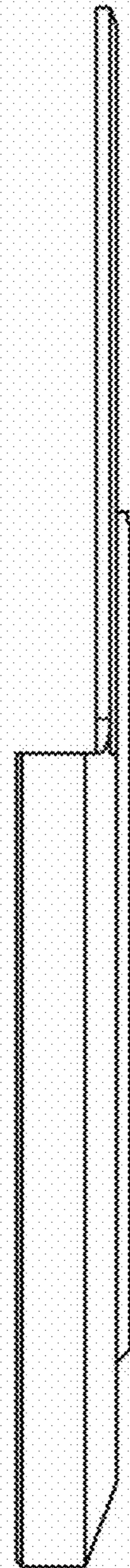
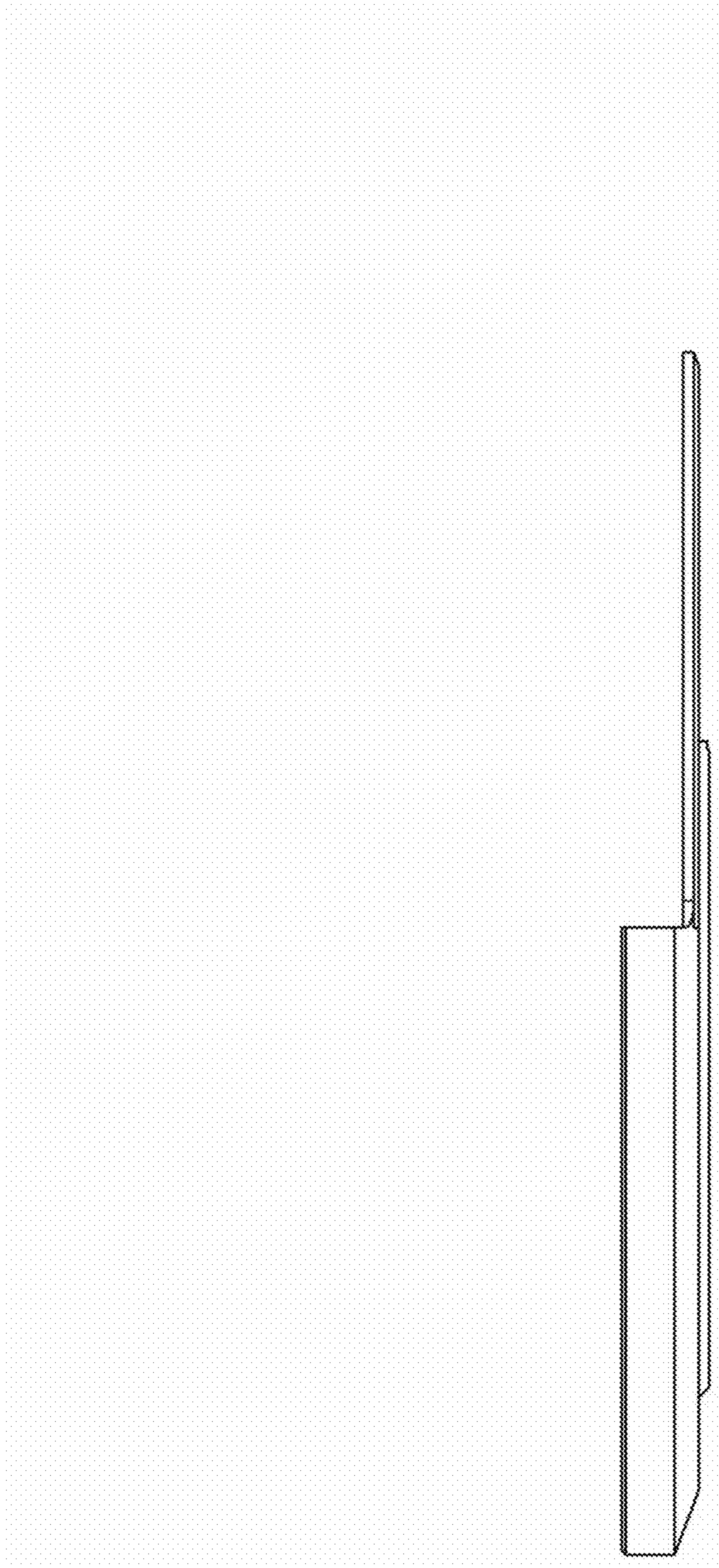
1.3



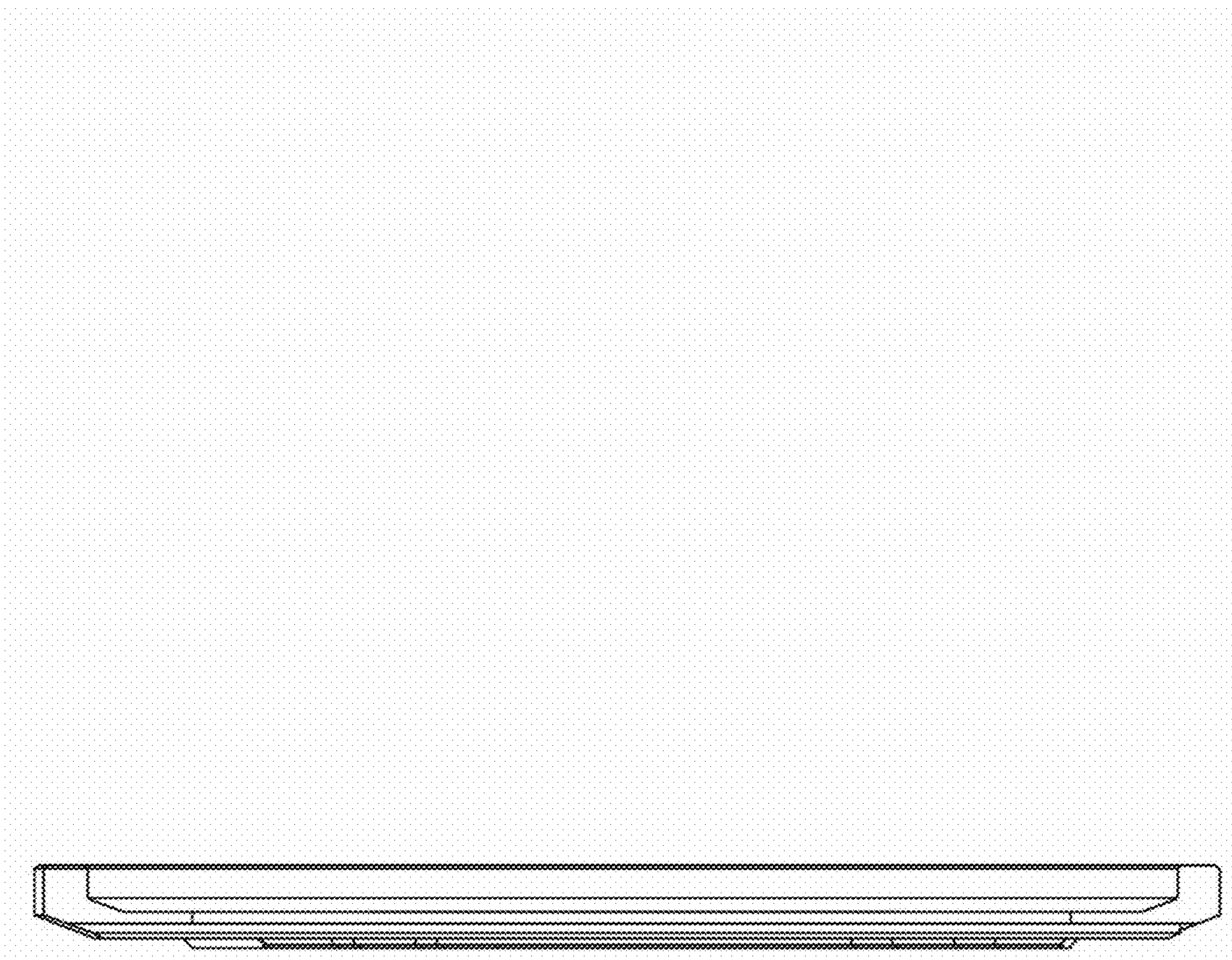
1.4



1.5



1.6



1.7

