

US00D932328S

(12) **United States Design Patent**
Qiao

(10) **Patent No.:** **US D932,328 S**

(45) **Date of Patent:** **** Oct. 5, 2021**

(54) **WEIGHT SCALE**

(71) Applicant: **Xi Lu Qiao**, Guangzhou Guangdong (CN)

(72) Inventor: **Xi Lu Qiao**, Guangzhou Guangdong (CN)

(73) Assignee: **ROCDAN LIMITED**, Hong Kong (HK)

(**) Term: **15 Years**

(21) Appl. No.: **29/751,301**

(22) Filed: **Sep. 21, 2020**

(51) **LOC (13) Cl.** **10-04**

(52) **U.S. Cl.**
USPC **D10/92**

(58) **Field of Classification Search**
USPC D10/92
CPC G01G 19/44; G01G 19/445; G01G 19/46;
G01G 19/48; G01G 19/50; G01G 21/28;
G01G 21/44; G01G 21/283; G01G
21/286; G01G 21/30; G01G 23/37; G01G
23/3728; G01G 23/3735; A61B 5/053;
A61B 5/4872; A61B 5/0537; A61B
5/4869; A61B 5/6825; A61B 5/6829;
A61B 5/7445

See application file for complete search history.

(56) **References Cited**

U.S. PATENT DOCUMENTS

D700,094 S 2/2014 Pukall et al.
D706,657 S 6/2014 Pukall et al.

D834,434 S 11/2018 Huckestein
D853,260 S * 7/2019 Wang D10/92
D860,841 S 9/2019 Wang
D865,552 S 11/2019 Ying
D888,592 S 6/2020 Huckestein
D912,554 S * 3/2021 Liu D10/92

* cited by examiner

Primary Examiner — Antoine Duval Davis

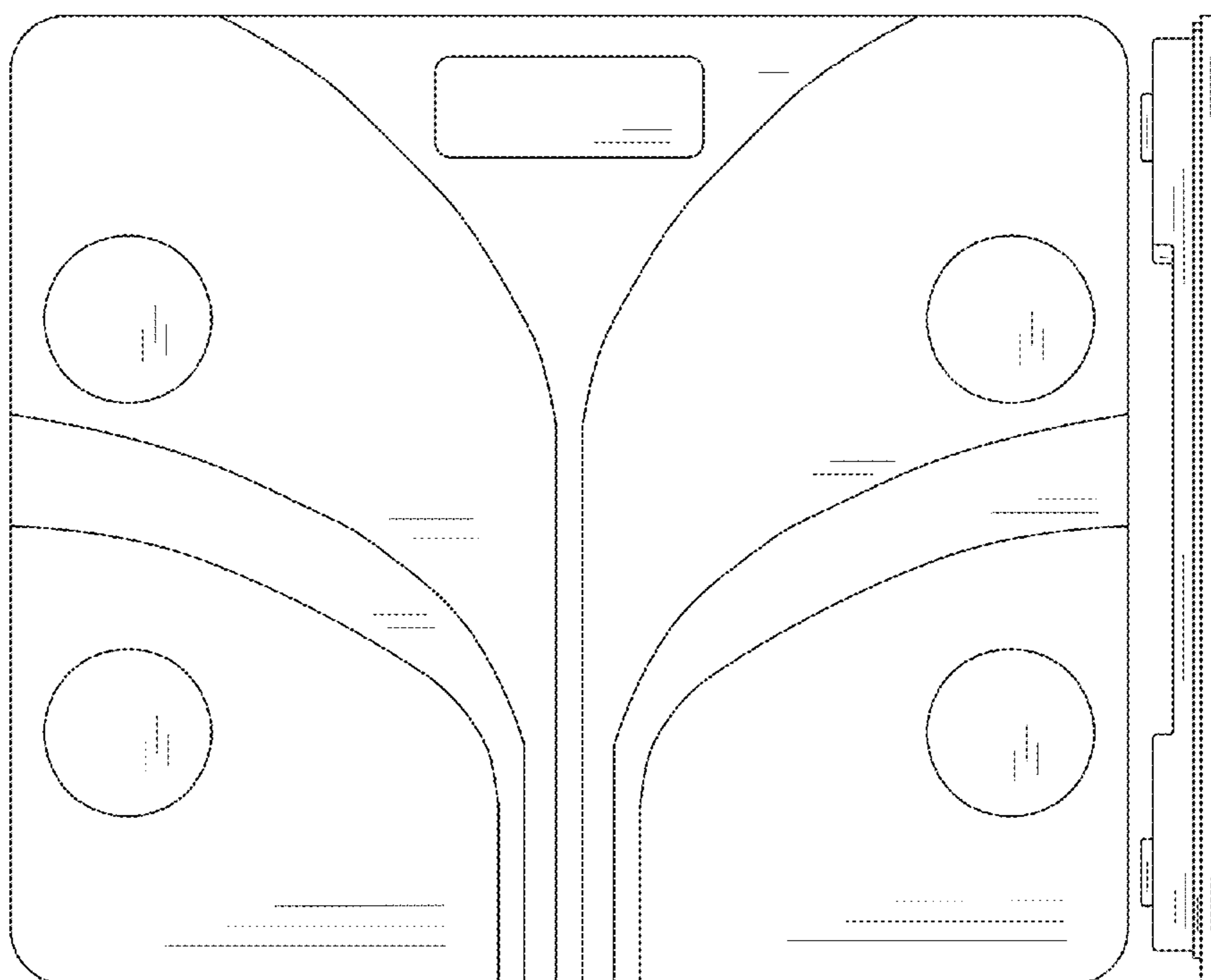
(57) **CLAIM**

The ornamental design for a weight scale, as shown and described.

DESCRIPTION

FIG. 1 is a front elevation view of a weight scale according to the present invention;
FIG. 2 is a rear elevation view thereof;
FIG. 3 is a left side view thereof, the right side view being mirror image thereof;
FIG. 4 is a top side view thereof;
FIG. 5 is a bottom side view thereof;
FIG. 6 is a fragmentary cross-sectional view taken along lines 6-6 of FIG. 2;
FIG. 7 is a fragmentary cross-sectional view taken along lines 7-7 of FIG. 2;
FIG. 8 is an enlarged fragmentary cross-sectional view of a feature thereof shown in FIG. 6;
FIG. 9 is an enlarged fragmentary cross-sectional view of a feature thereof shown in FIG. 6;
FIG. 10 is an enlarged fragmentary cross-sectional view of a feature thereof shown in FIG. 7; and,
FIG. 11 is an enlarged fragmentary cross-sectional view of a feature thereof shown in FIG. 7.

1 Claim, 9 Drawing Sheets



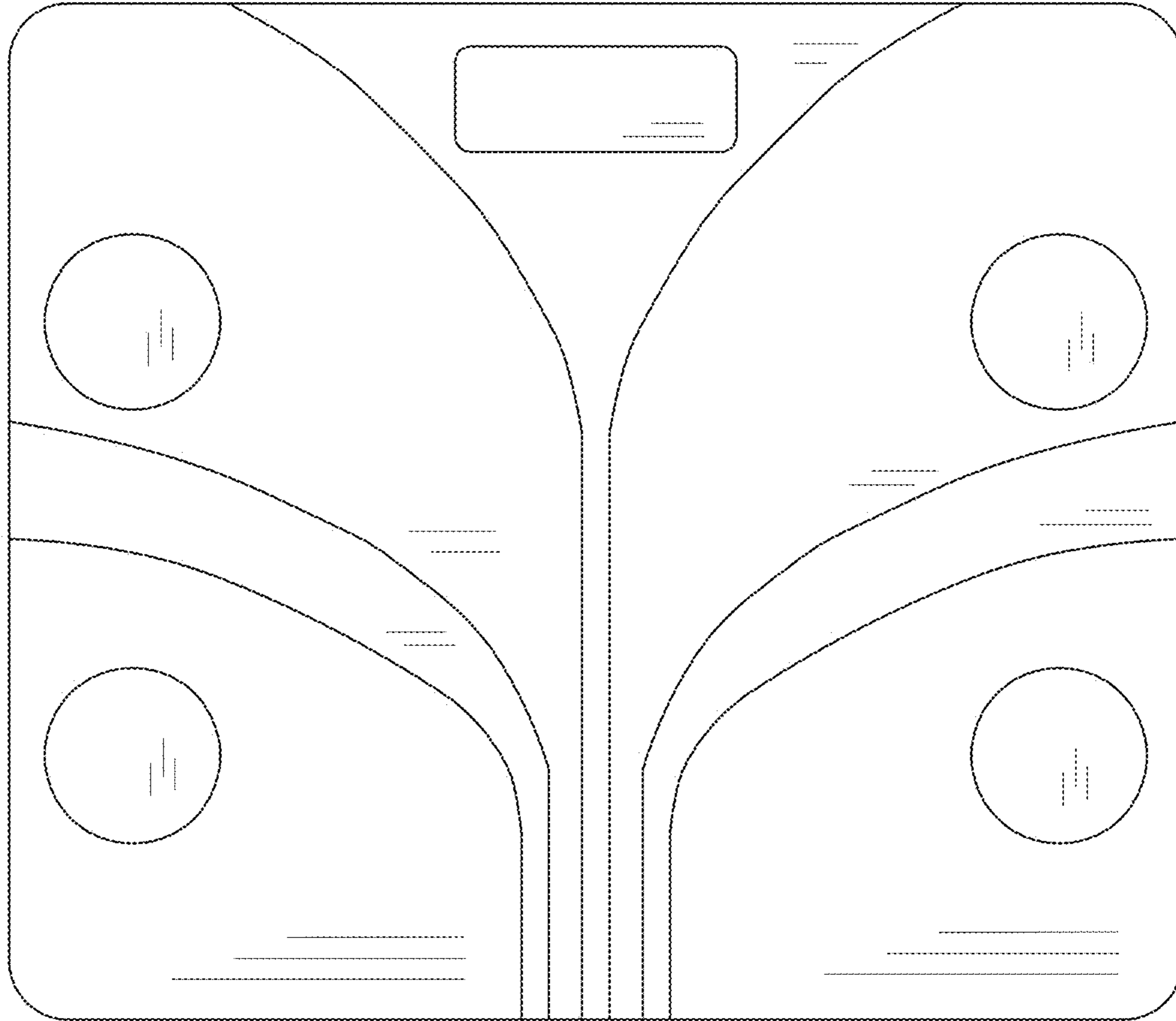


FIG. 1

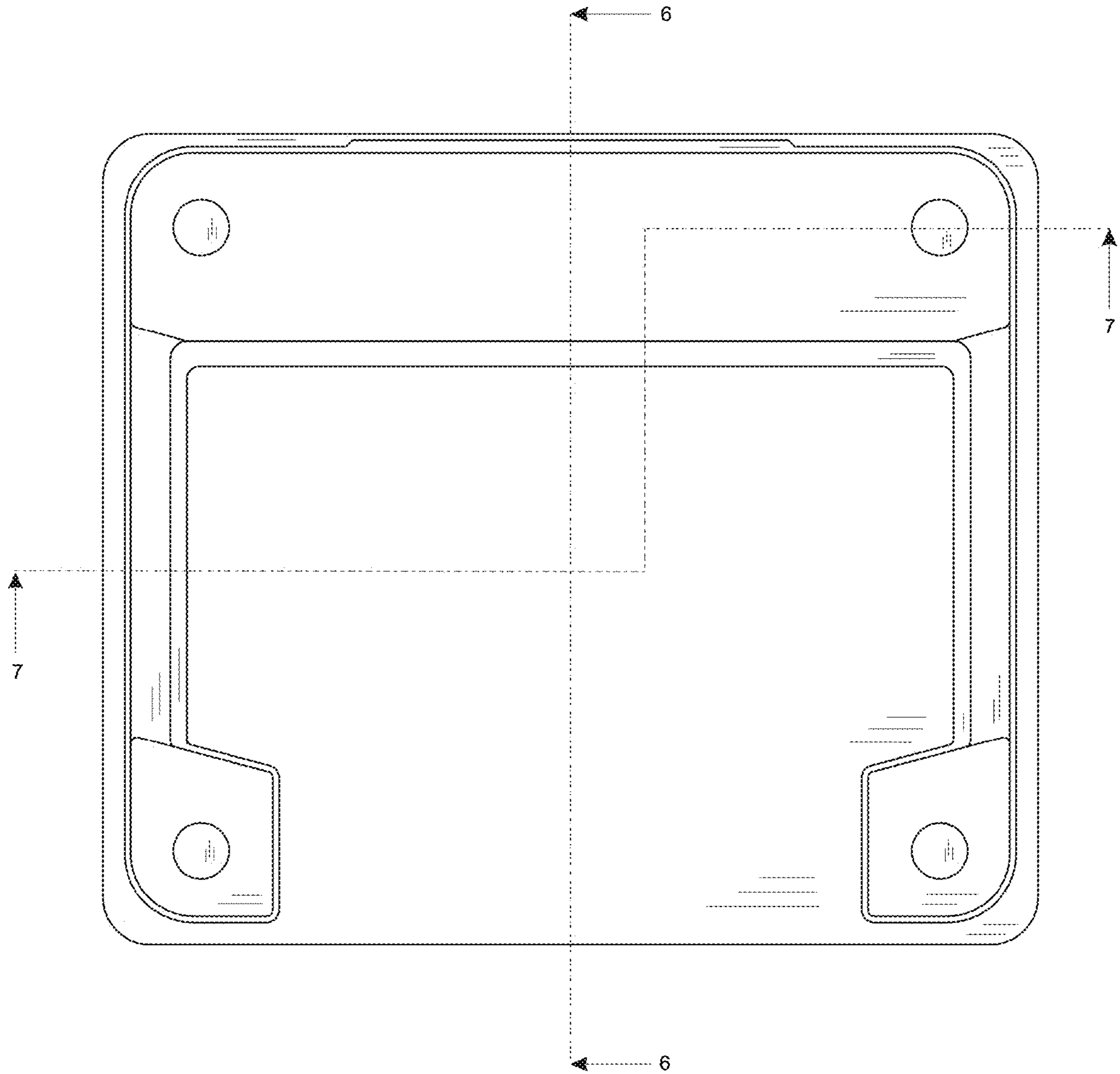


FIG. 2



FIG. 3

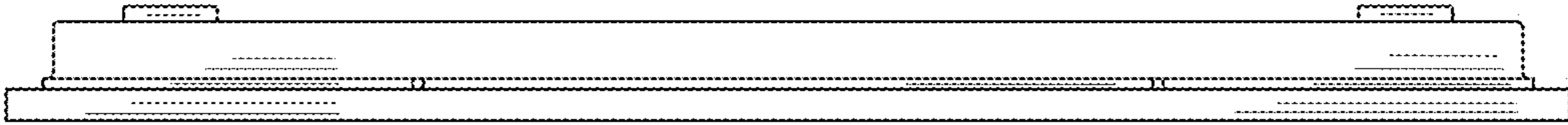


FIG. 4

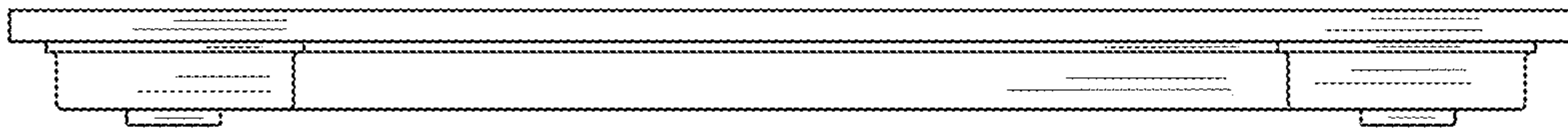


FIG. 5

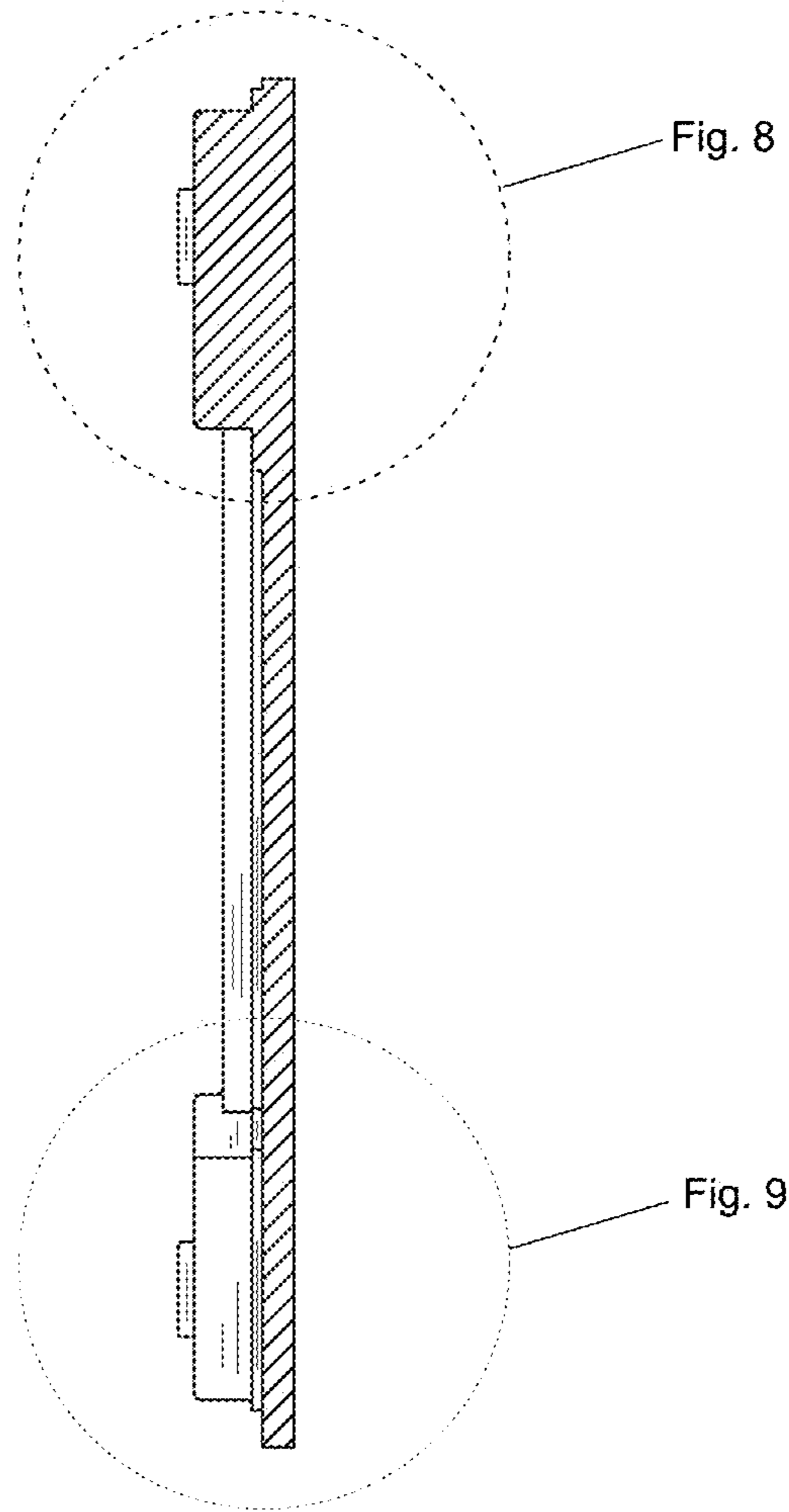


FIG. 6

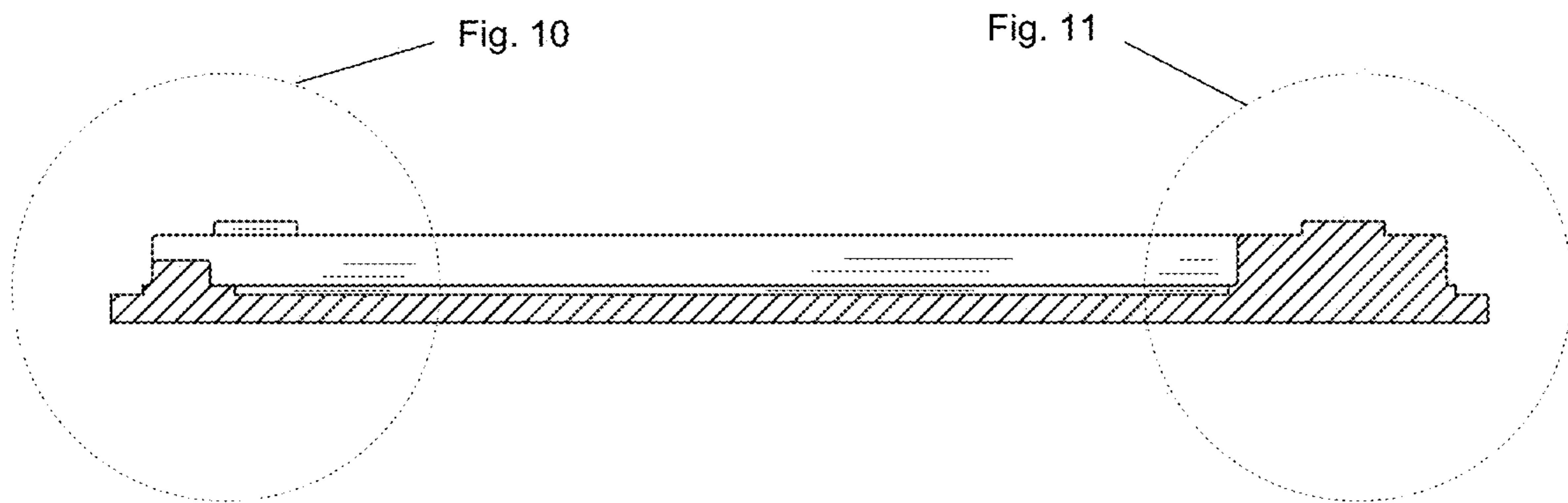


FIG. 7

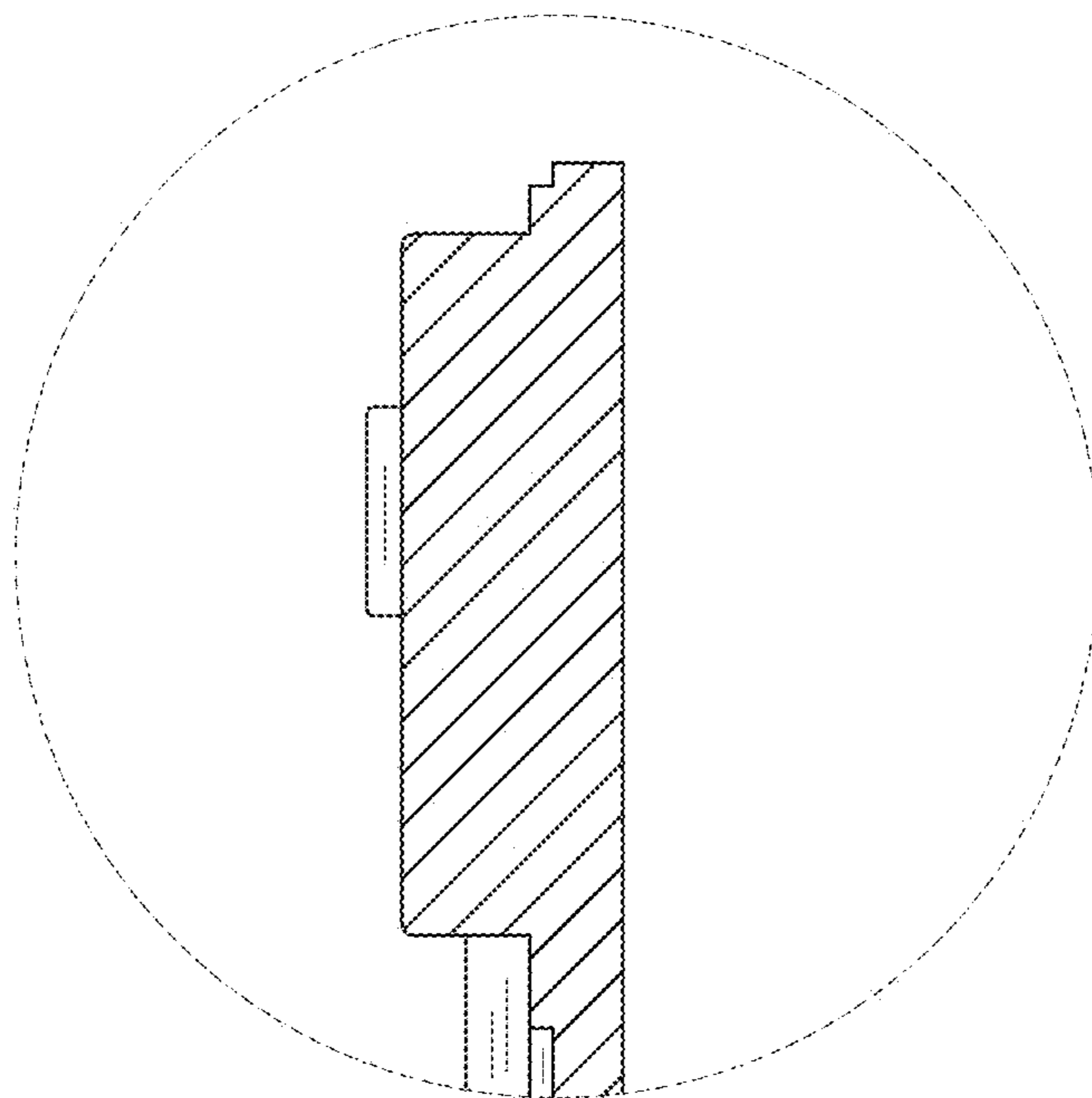


FIG. 8

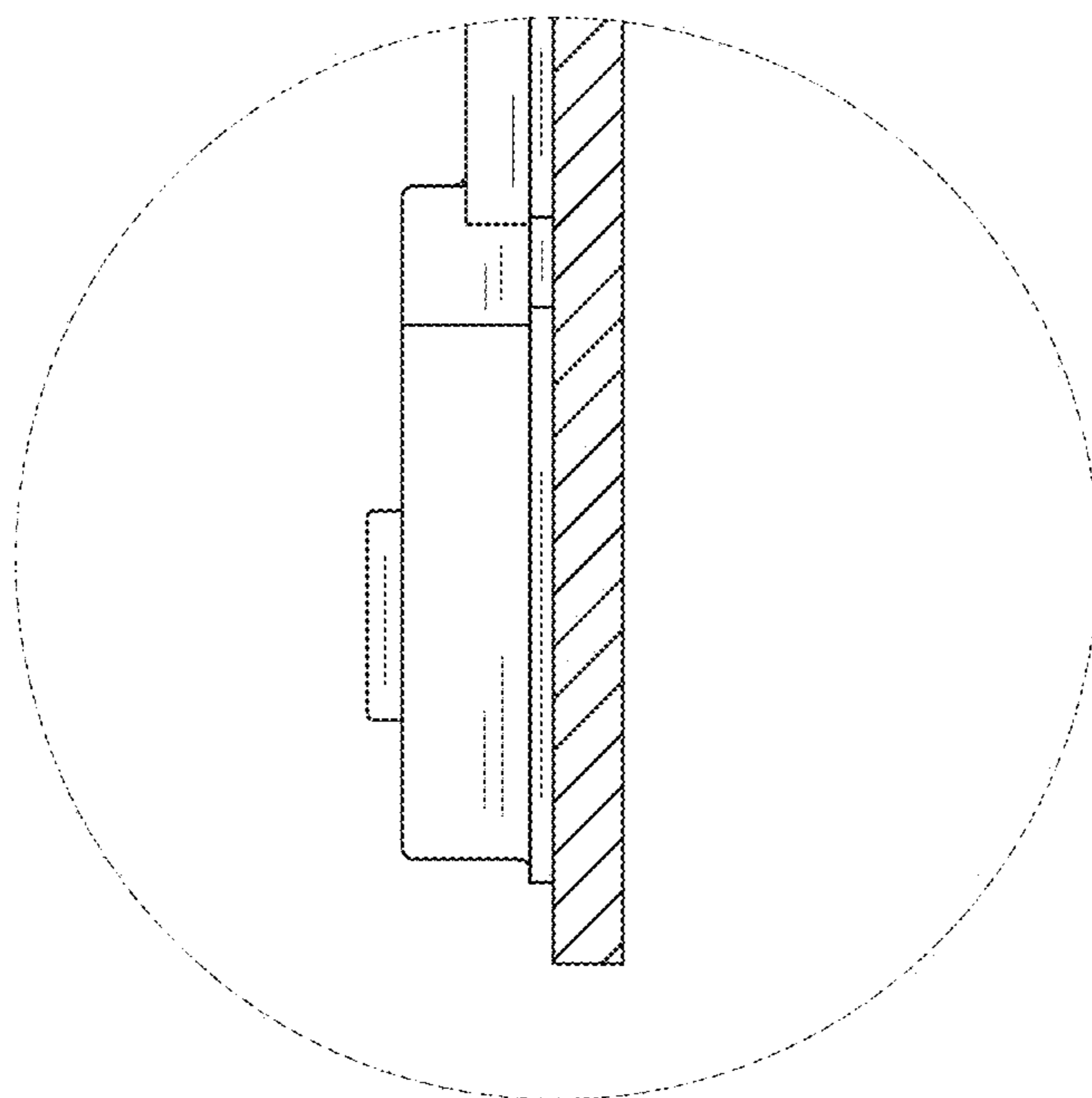


FIG. 9

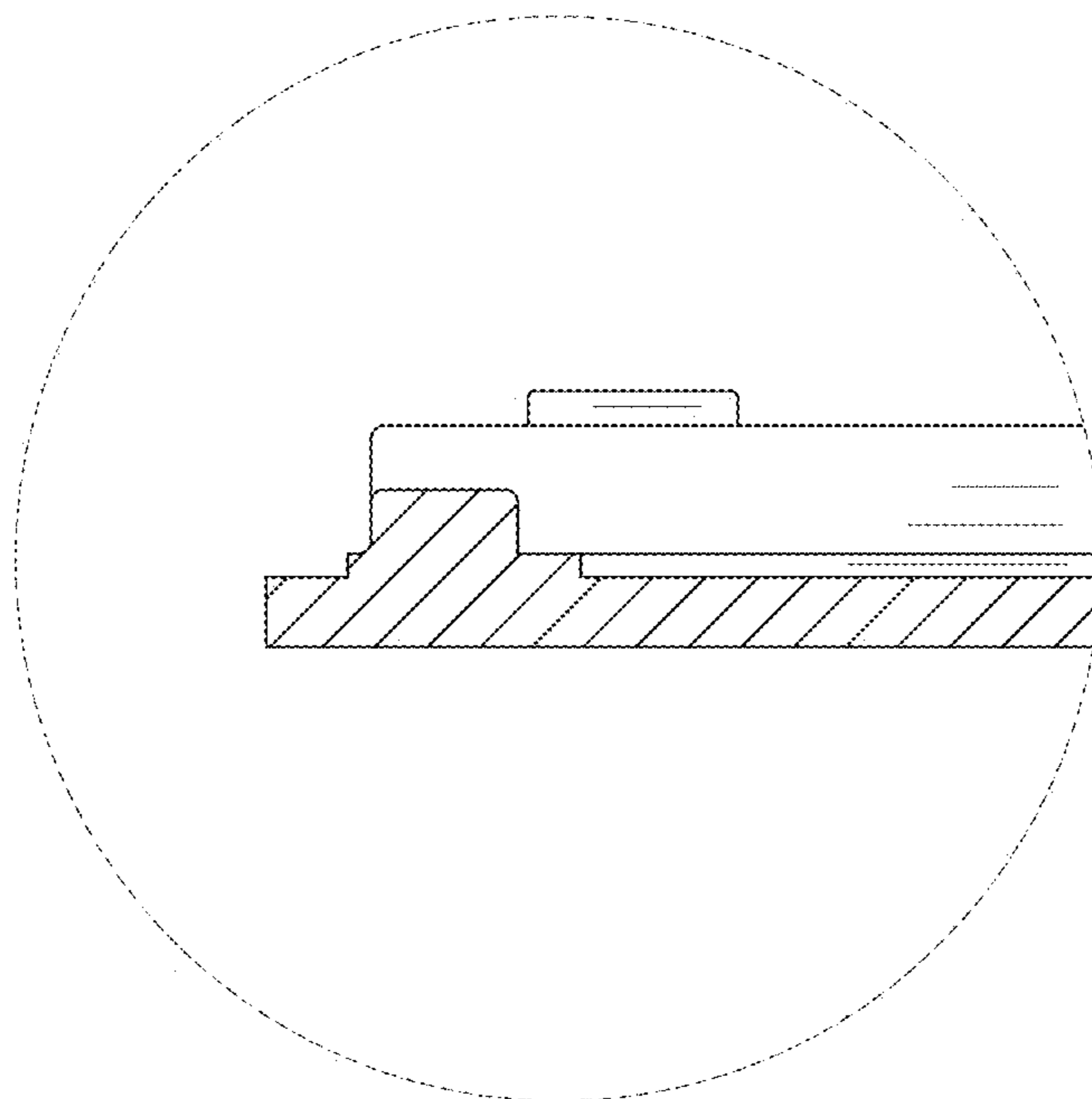


FIG. 10

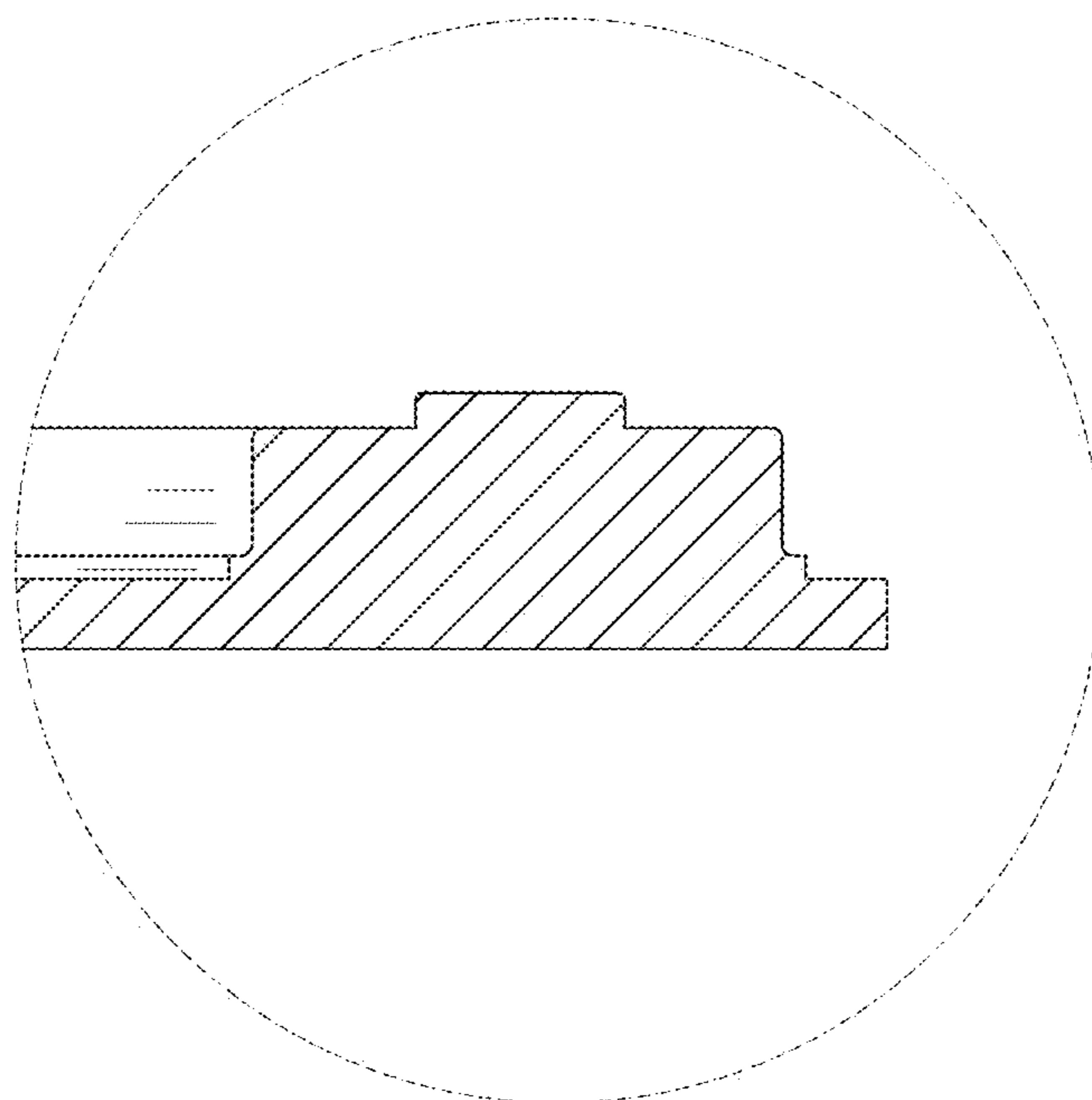


FIG. 11