



US00D932327S

(12) **United States Design Patent**
Lee et al.

(10) **Patent No.:** **US D932,327 S**
(45) **Date of Patent:** **** Oct. 5, 2021**

(54) **SCALE**

(71) Applicant: **KAKAO COMMERCE CORP.**,
Seongnam (KR)
(72) Inventors: **Jong Hyub Lee**, Seoul (KR); **Sato Oki**,
Tokyo (JP)
(73) Assignee: **Kakao Commerce Corp.**, Seongnam
(KR)
(**) Term: **15 Years**
(21) Appl. No.: **29/703,691**
(22) Filed: **Aug. 29, 2019**

(30) **Foreign Application Priority Data**

Aug. 23, 2019 (KR) 30-2019-0040532

(51) **LOC (13) Cl.** **10-04**

(52) **U.S. Cl.**
USPC **D10/91; D10/87**

(58) **Field of Classification Search**
USPC D10/87, 88, 91
CPC G01G 19/40; G01G 19/41; G01G 19/413;
G01G 19/414; G01G 19/4144; G01G
19/42; G01G 23/3728; G01G 23/3735;
G01G 21/28; G01G 21/283; G01G
21/286; G01G 21/30; G06Q 20/208
See application file for complete search history.

(56) **References Cited**

U.S. PATENT DOCUMENTS

D329,025 S * 9/1992 Storsberg D10/91
D379,772 S * 6/1997 Fabian D10/91

* cited by examiner

Primary Examiner — Antoine Duval Davis
(74) *Attorney, Agent, or Firm* — John H. Choi &
Associates

(57) **CLAIM**

The ornamental design for a scale, as shown and described.

DESCRIPTION

FIG. 1 is a top front side perspective view of the scale of the present invention.

FIG. 2 is a front view of the scale shown in FIG. 1.

FIG. 3 is a rear view of the scale shown in FIG. 1.

FIG. 4 is a right side view of the scale shown in FIG. 1.

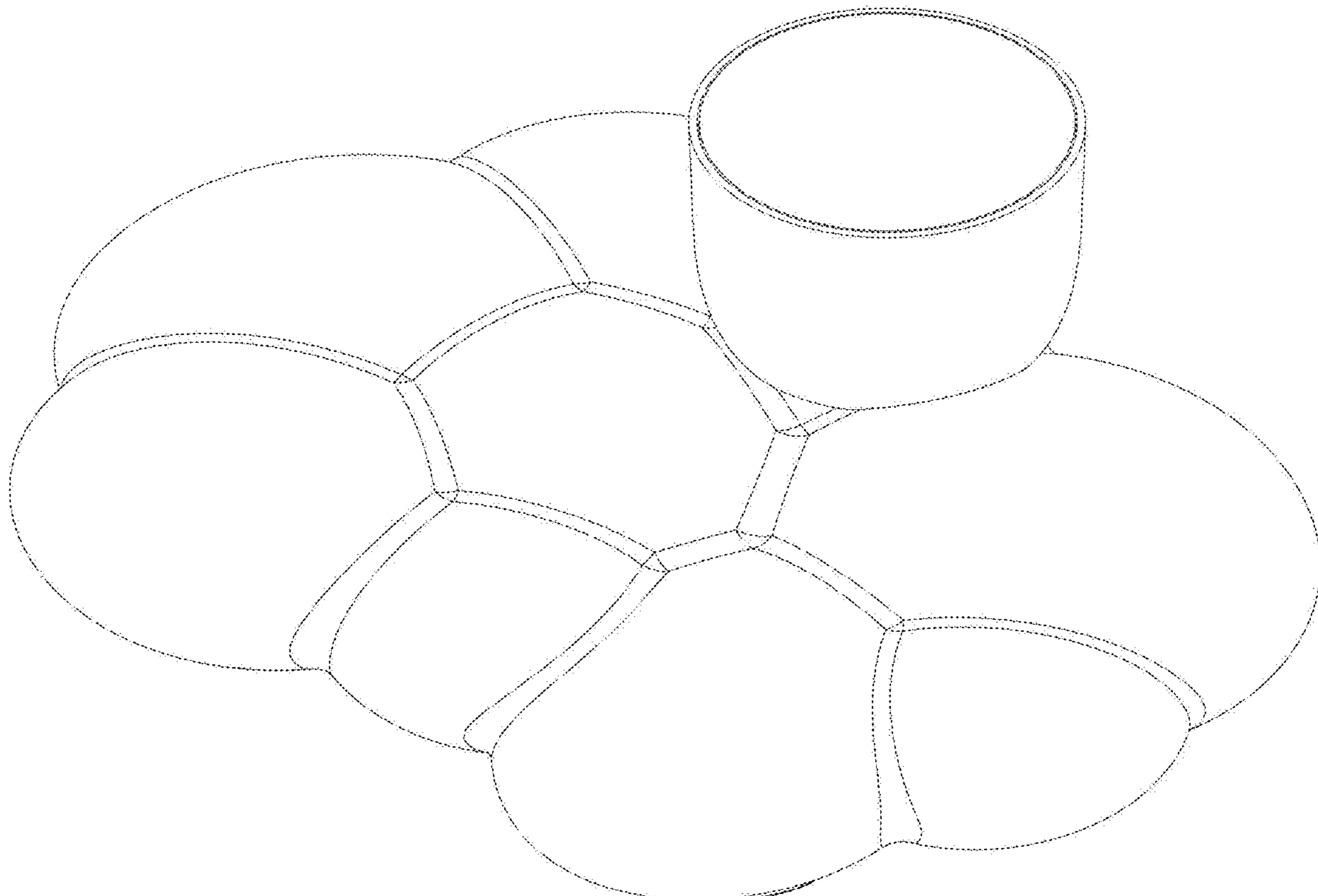
FIG. 5 is a left side view of the scale shown in FIG. 1.

FIG. 6 is a top view of the scale shown in FIG. 1.

FIG. 7 is a bottom view of the scale shown in FIG. 1; and,

FIG. 8 is an alternative embodiment of the top view of the scale shown in FIG. 6, showing a digital display for illustrative purposes.

1 Claim, 8 Drawing Sheets



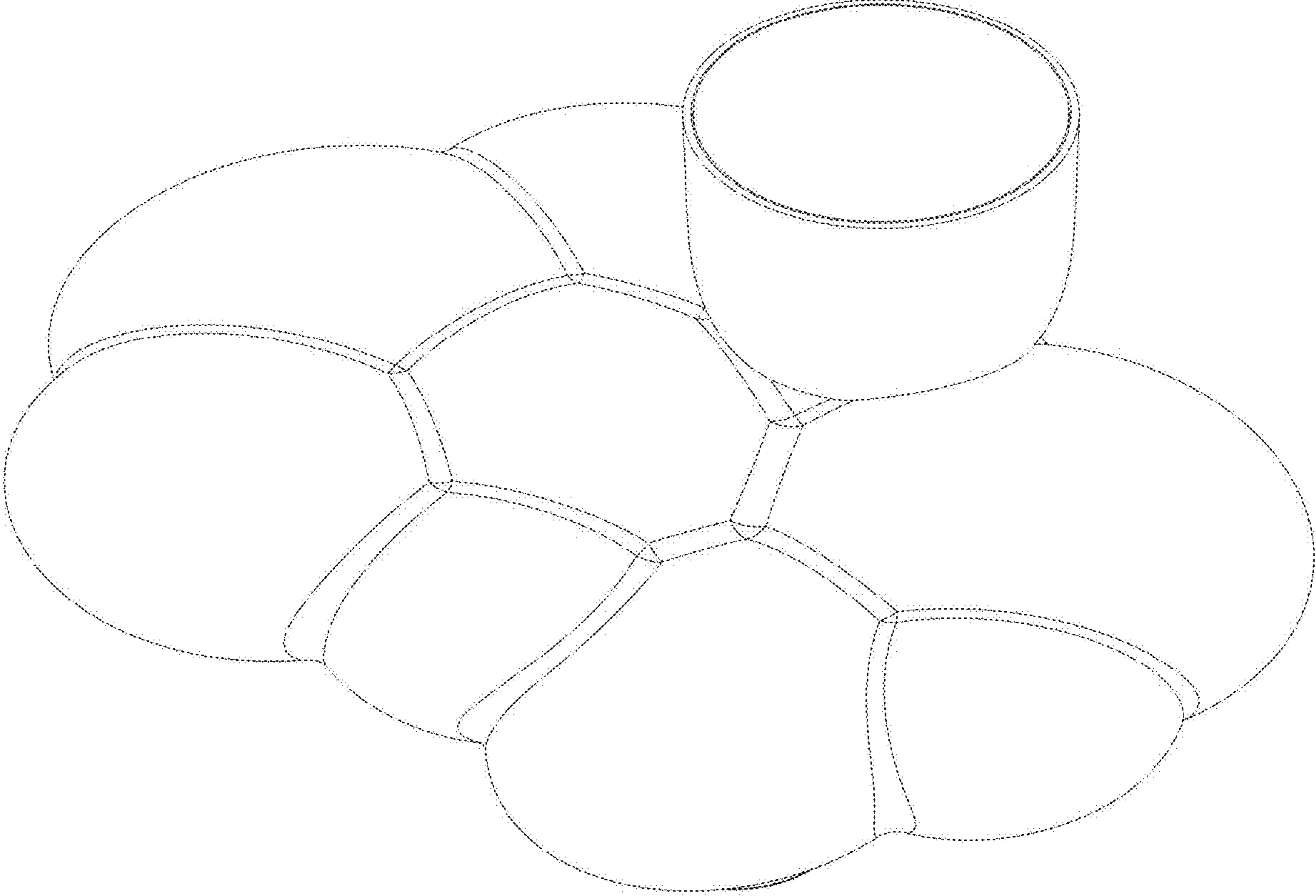


FIG. 1

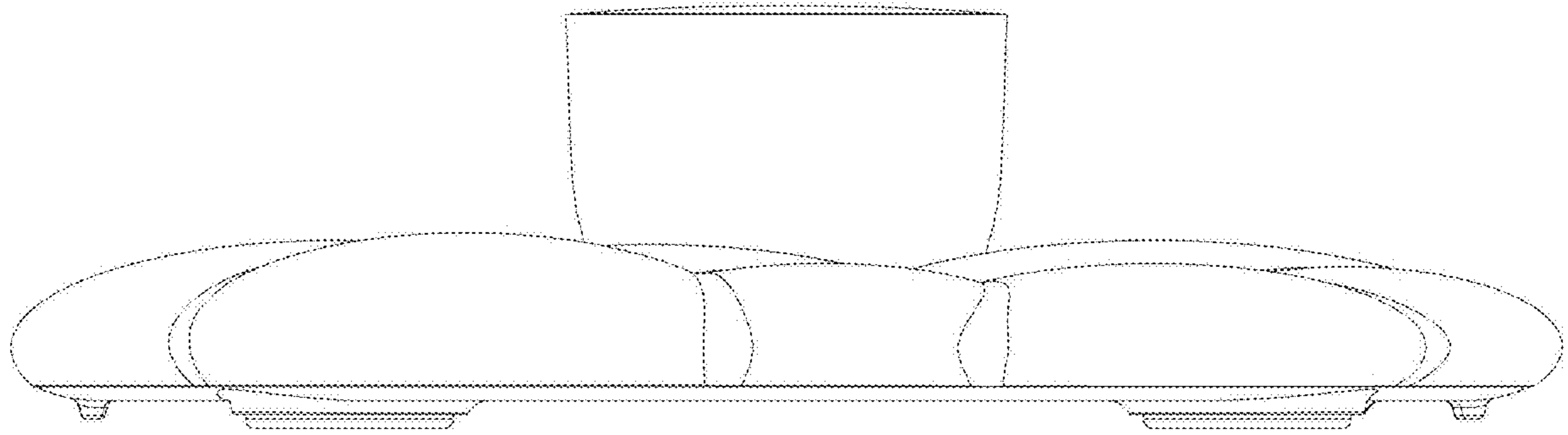


FIG. 2

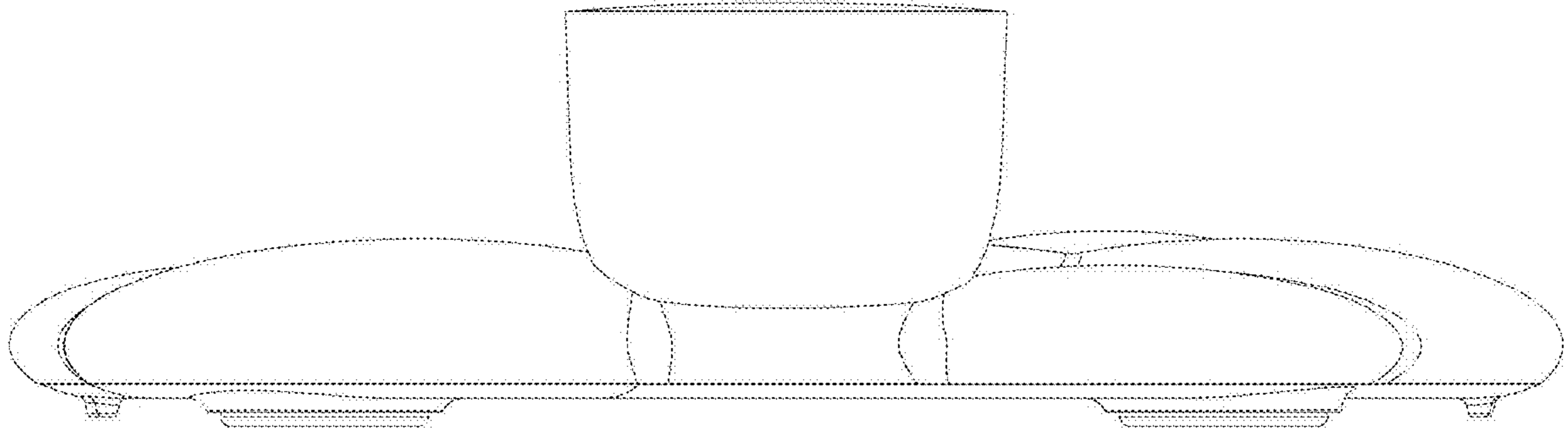


FIG. 3

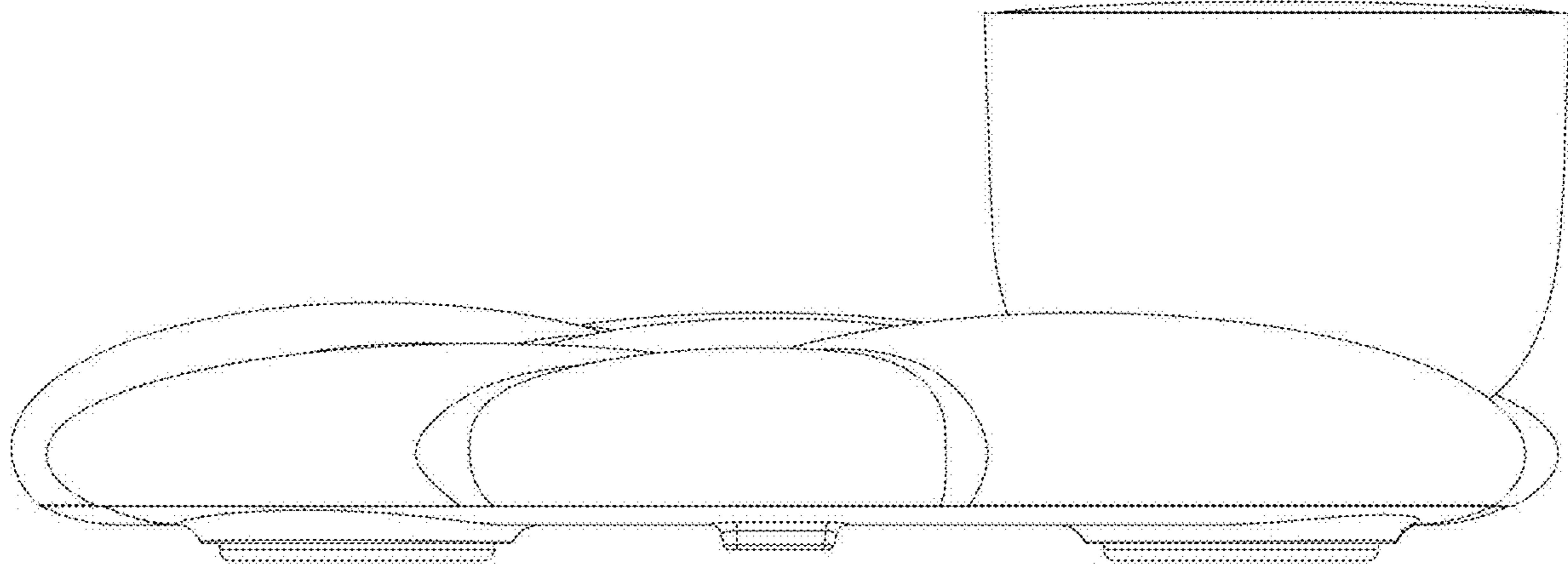


FIG. 4

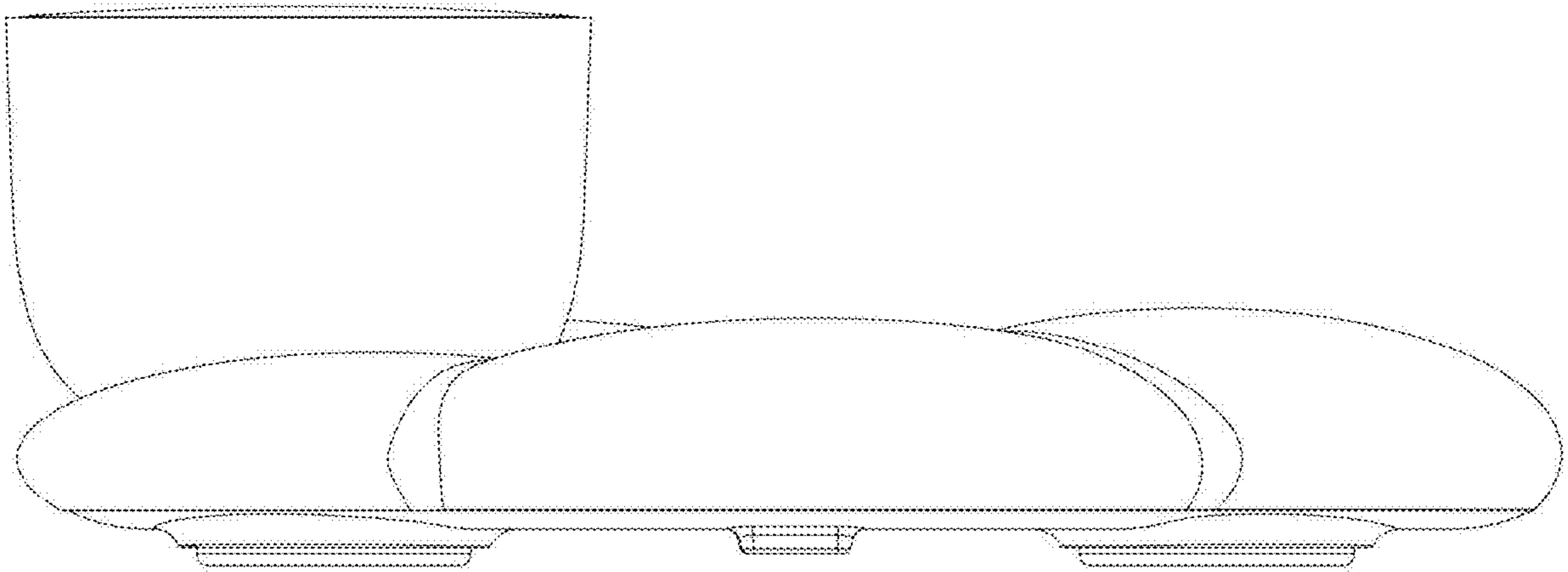


FIG. 5

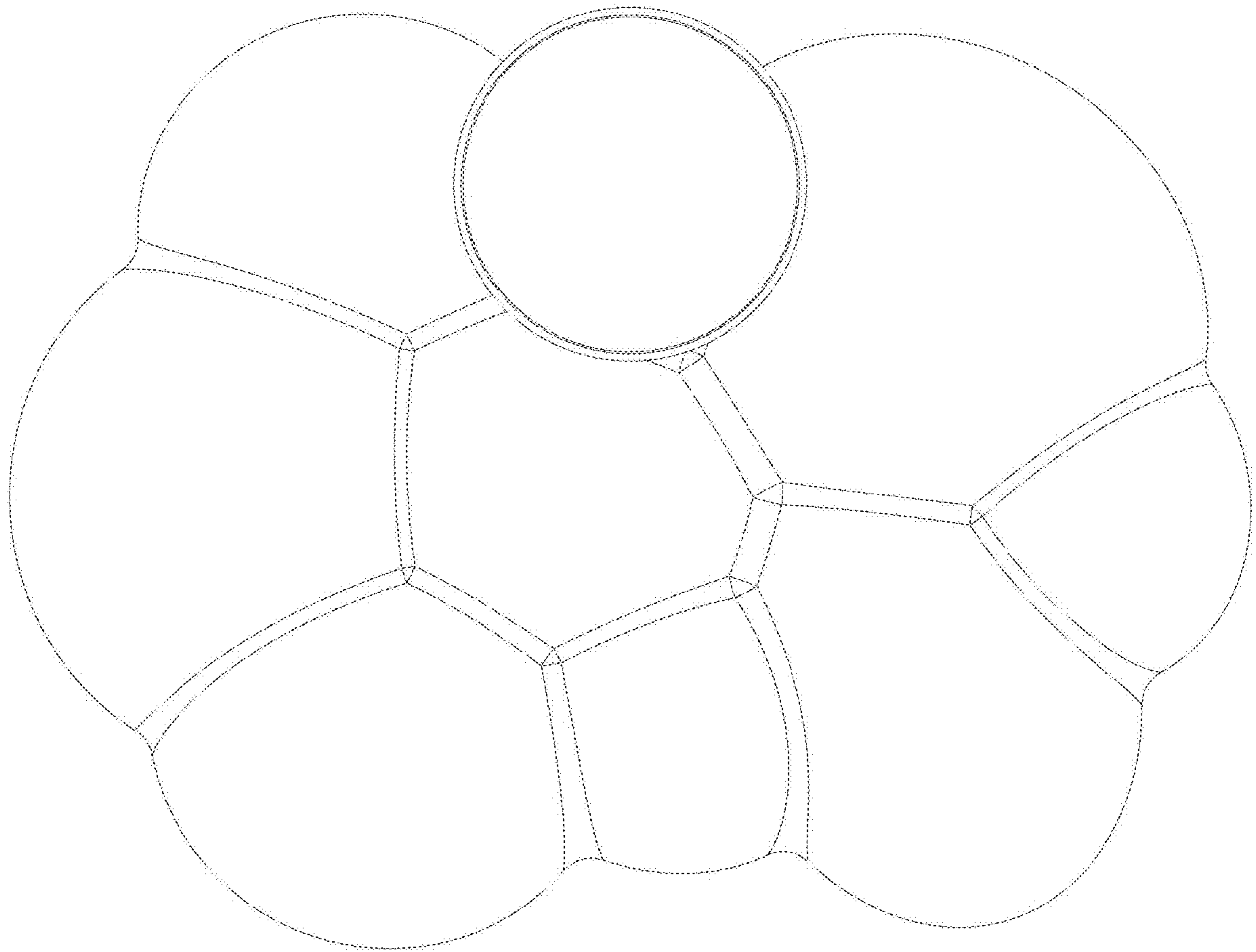


FIG. 6

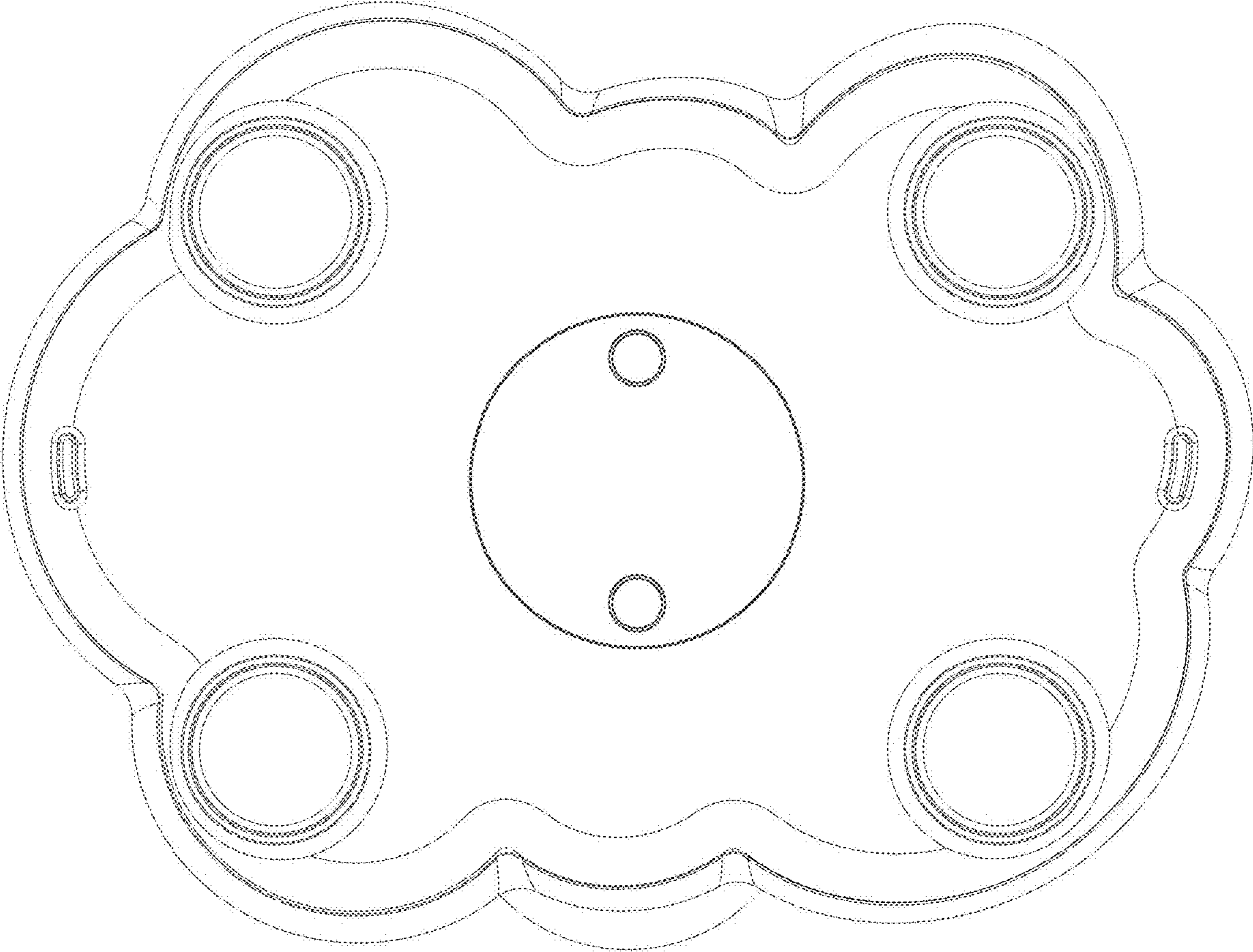


FIG. 7

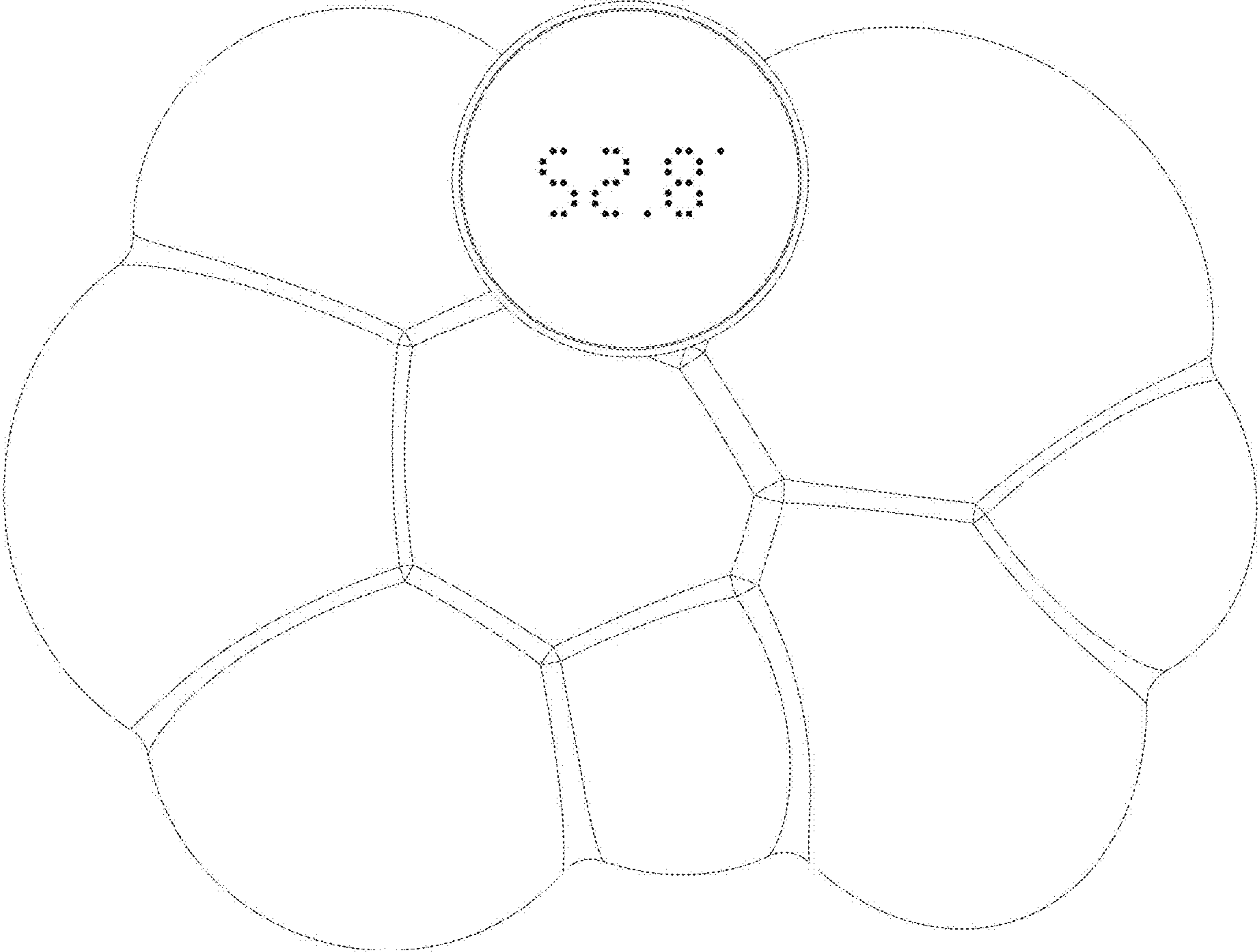


FIG. 8