



US00D932326S

(12) **United States Design Patent**  
**Roehm et al.**

(10) **Patent No.:** **US D932,326 S**  
(45) **Date of Patent:** **\*\* Oct. 5, 2021**

(54) **INSTRUMENT**

(71) Applicant: **Robert Bosch GmbH**, Stuttgart (DE)

(72) Inventors: **Tobias Roehm**, Wildberg-Sulz (DE);  
**Vincent Hasenmayer**,  
Stuttgart-Möhringen (DE); **Nedim**  
**Vrtagic**, Des Plaines, IL (US); **Paolo**  
**Corcagnani**, Esslingen am Neckar (DE)

(73) Assignee: **Robert Bosch GmbH**, Stuttgart (DE)

(\*\*) Term: **15 Years**

(21) Appl. No.: **29/717,226**

(22) Filed: **Dec. 16, 2019**

(30) **Foreign Application Priority Data**

Jun. 18, 2019 (EM) ..... 006584892

(51) **LOC (13) Cl.** ..... **10-04**

(52) **U.S. Cl.**  
USPC ..... **D10/65**

(58) **Field of Classification Search**  
USPC ..... D10/65, 66, 69, 70  
CPC ... G01C 9/00; G01C 9/02; G01C 9/04; G01C  
9/06; G01C 15/00; G01C 15/002; G01C  
15/004; G01C 15/006; G01B 11/26  
See application file for complete search history.

(56) **References Cited**

**U.S. PATENT DOCUMENTS**

9,188,441 B2 \* 11/2015 Munroe ..... G01J 1/44  
D777,588 S \* 1/2017 Aoki ..... D10/66

D834,970 S \* 12/2018 Aoki ..... D10/66  
D845,156 S \* 4/2019 Gulunov ..... D10/69  
D852,070 S \* 6/2019 Lu ..... D10/65  
D881,043 S \* 4/2020 Shao ..... D10/69  
D882,427 S \* 4/2020 Shao ..... D10/69

\* cited by examiner

*Primary Examiner* — Leanne Was-Englehart  
(74) *Attorney, Agent, or Firm* — Maginot, Moore & Beck  
LLP

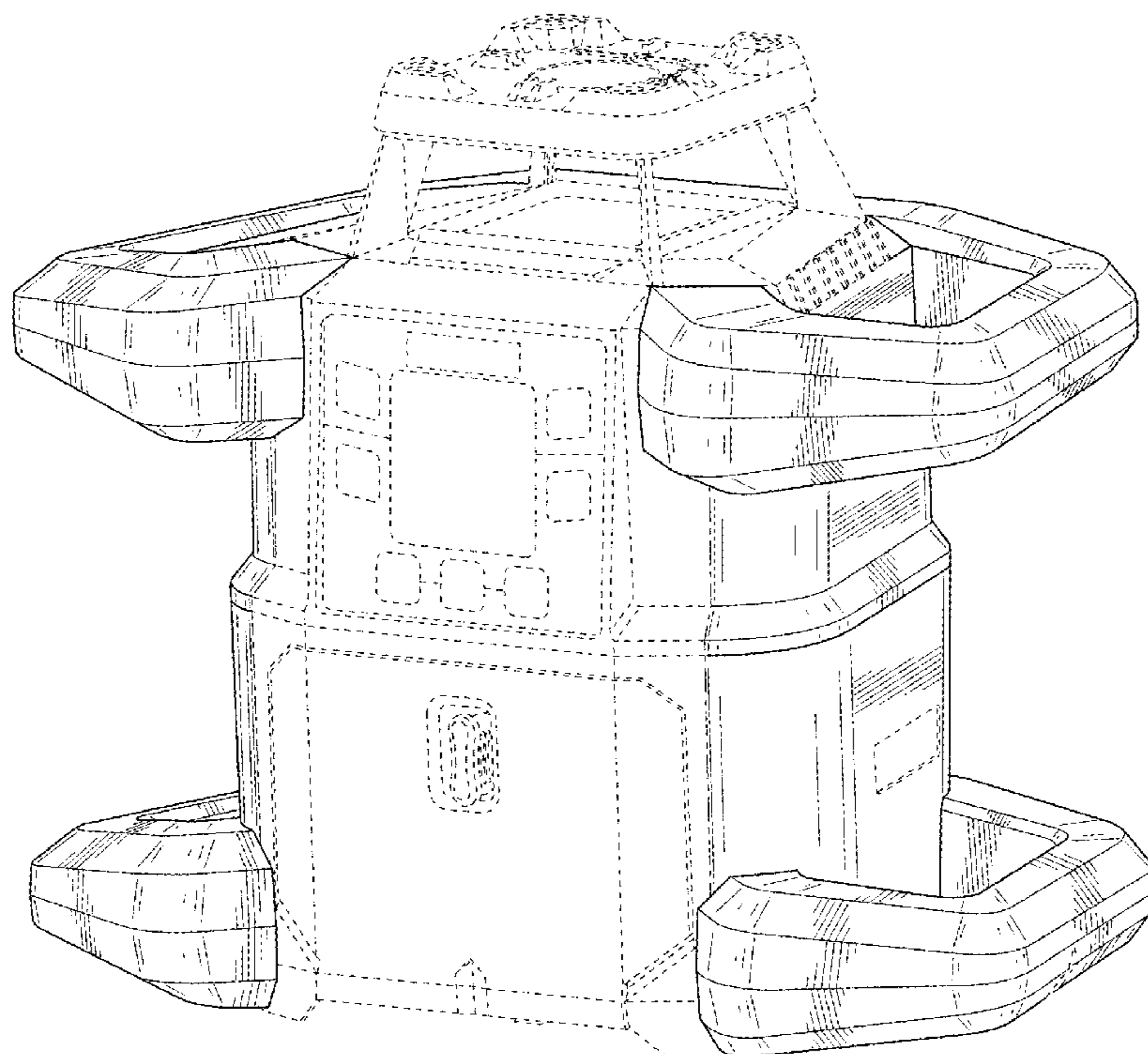
(57) **CLAIM**

The ornamental design for an instrument, as shown and  
described.

**DESCRIPTION**

FIG. 1 is a perspective view of an instrument showing our  
new design;  
FIG. 2 is a front side elevational view of the instrument of  
FIG. 1;  
FIG. 3 is a rear side elevational view of the instrument of  
FIG. 1;  
FIG. 4 is a right side elevational view of the instrument of  
FIG. 1;  
FIG. 5 is a left side elevational view of the instrument of  
FIG. 1;  
FIG. 6 is a top plan view of the instrument of FIG. 1; and,  
FIG. 7 is a bottom plan view of the instrument of FIG. 1.  
The broken lines shown in the drawings illustrate portions of  
the instrument that form no part of the claimed design. The  
short-long dashed lines represent boundaries of the claimed  
design and form no part of the claimed design.

**1 Claim, 7 Drawing Sheets**



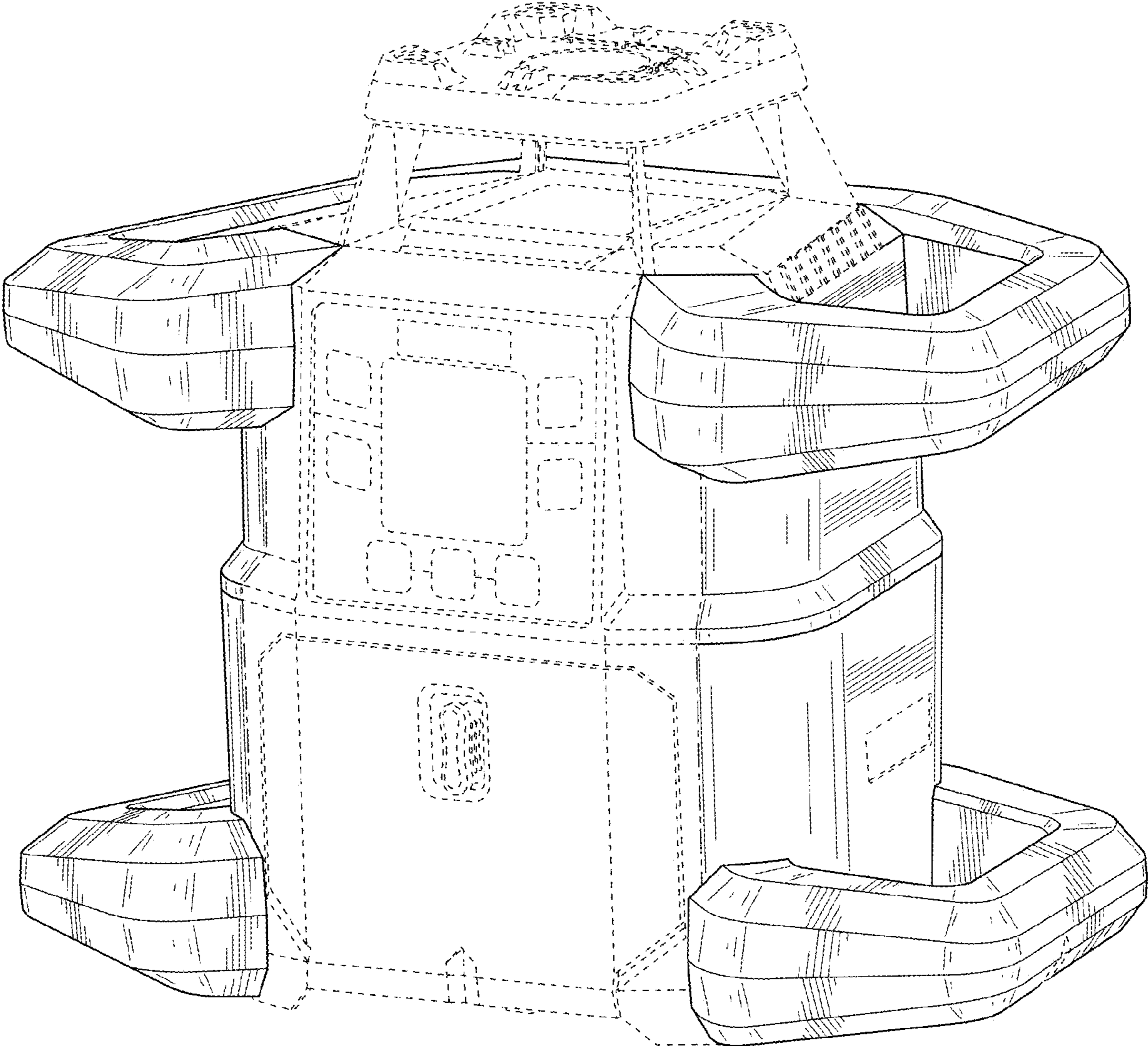


FIG. 1

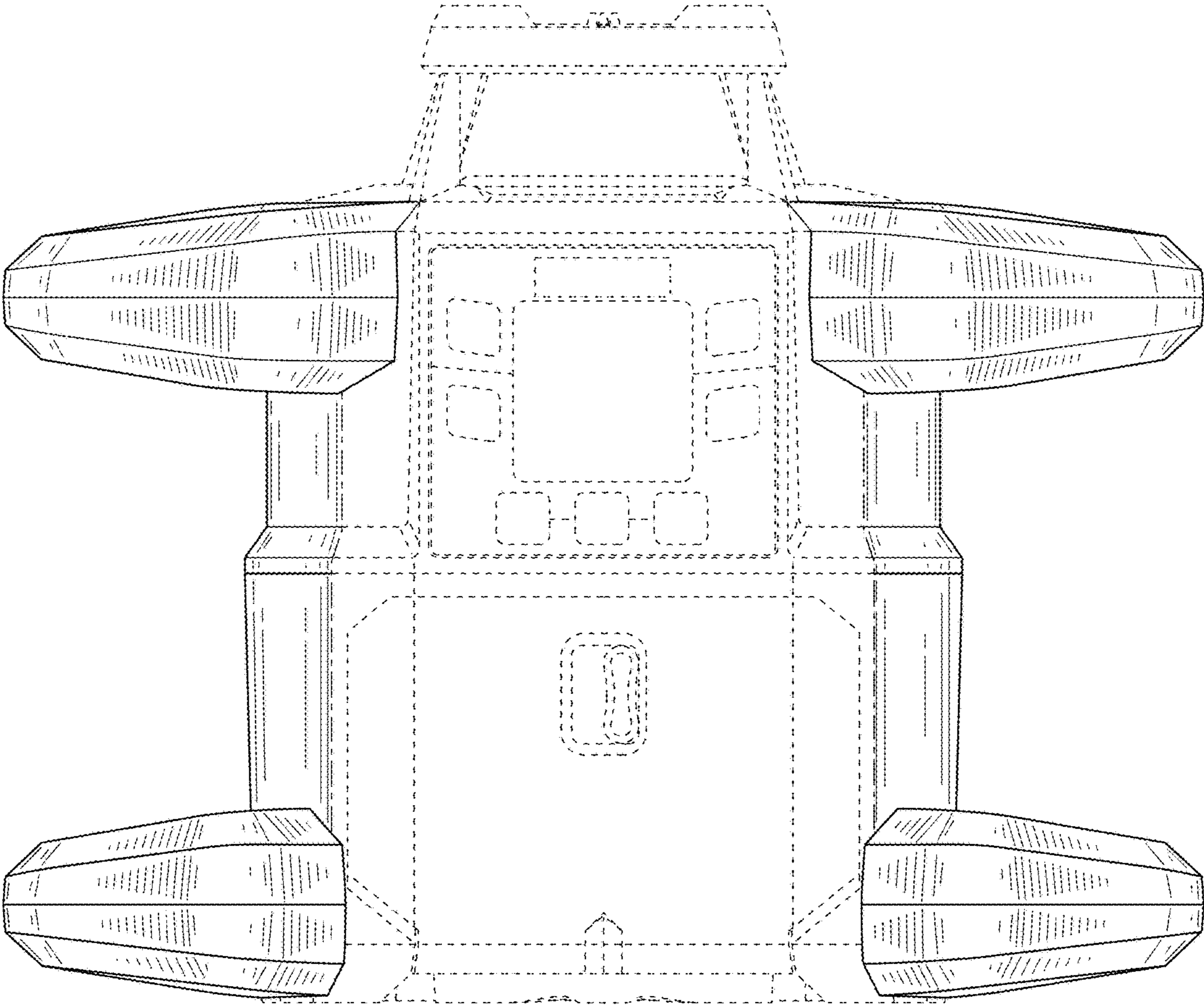


FIG. 2



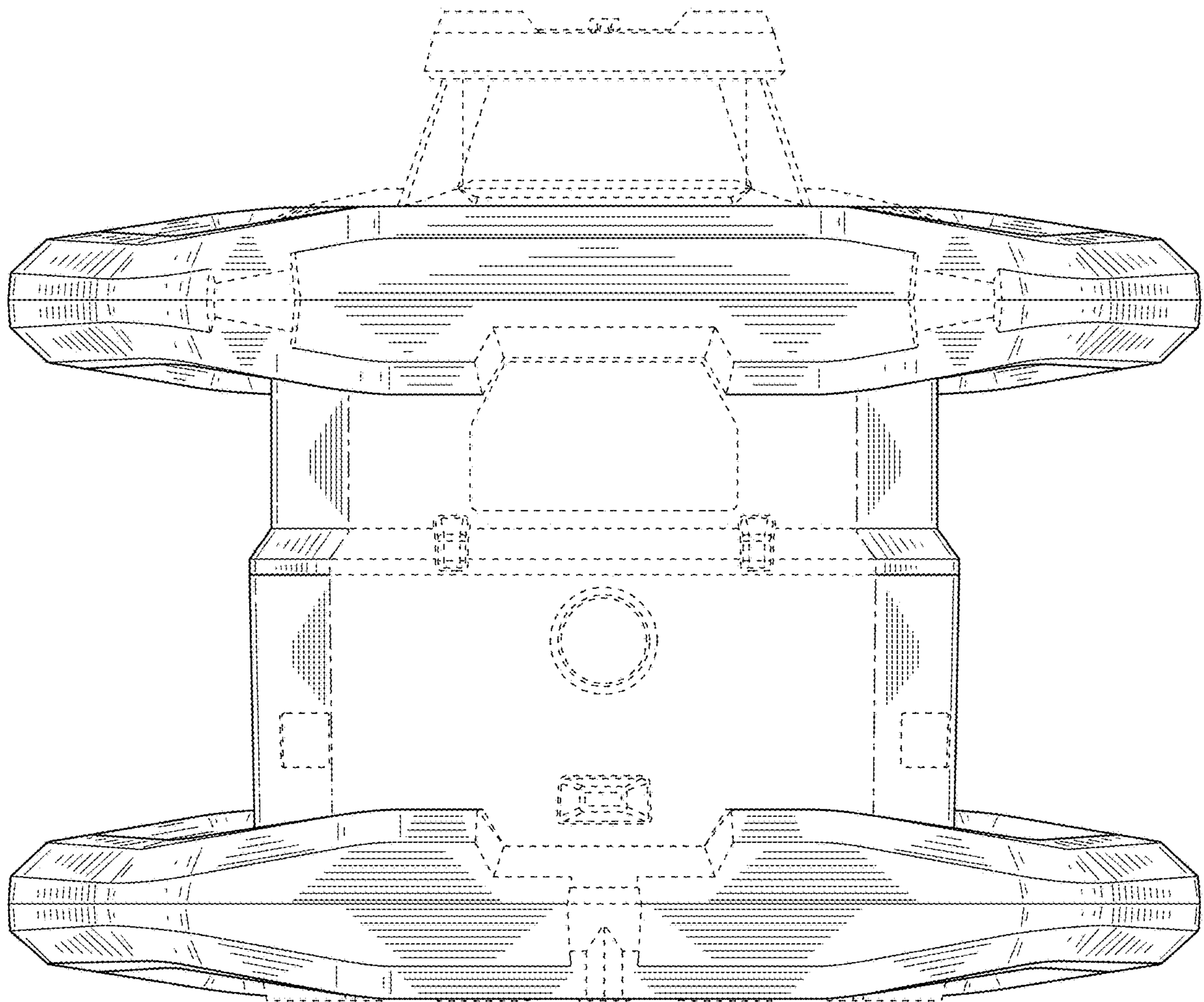


FIG. 3

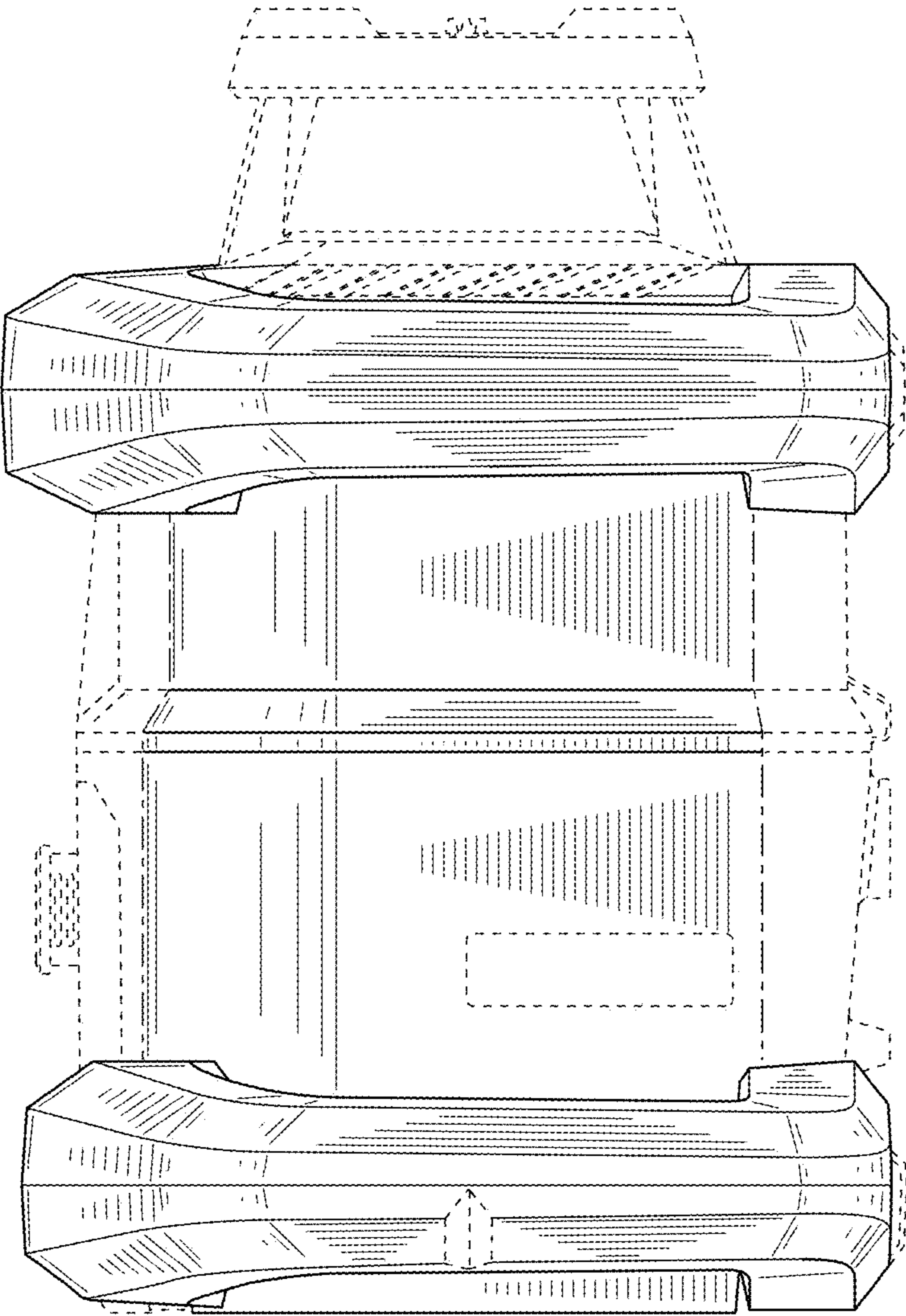


FIG. 4

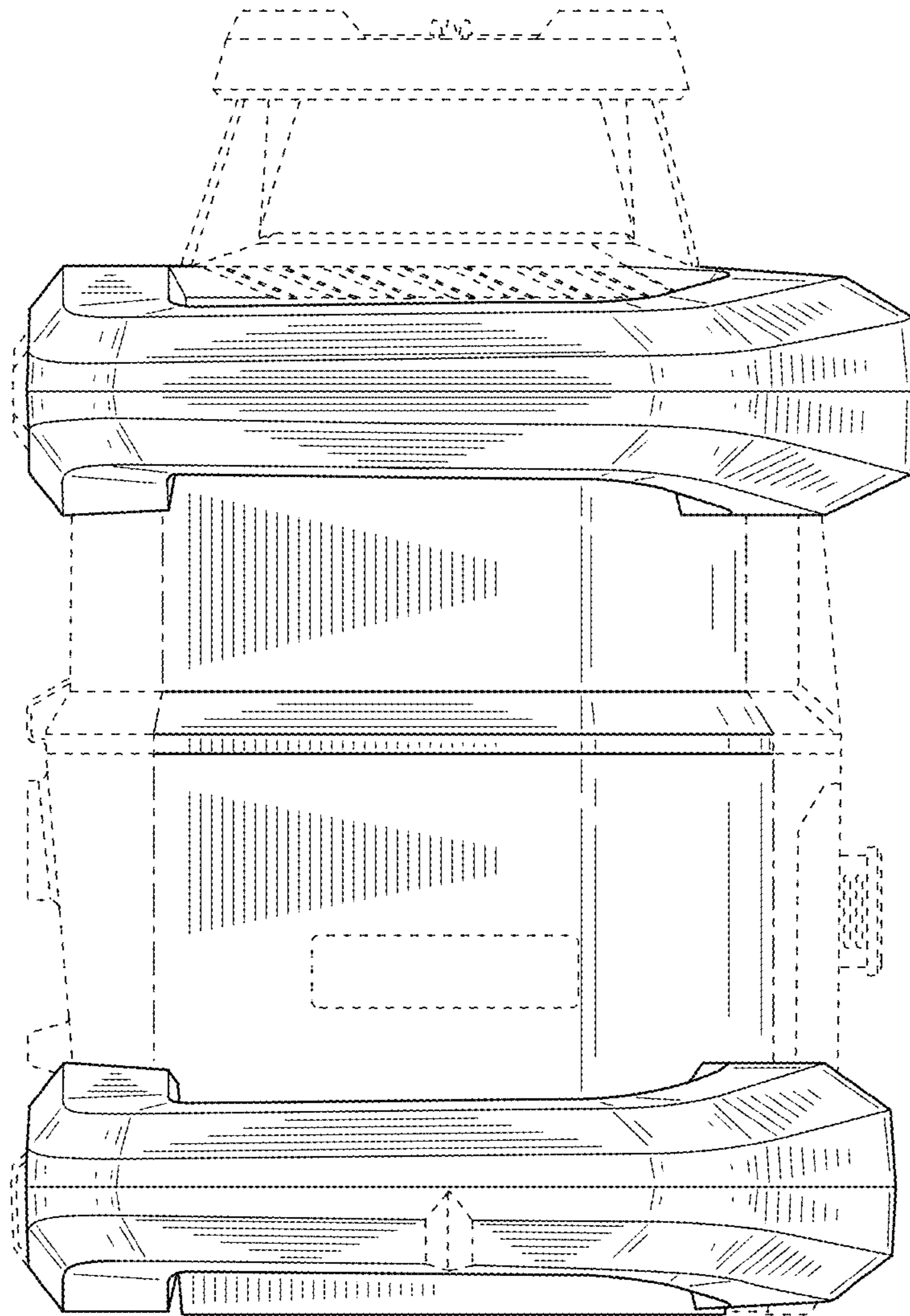


FIG. 5

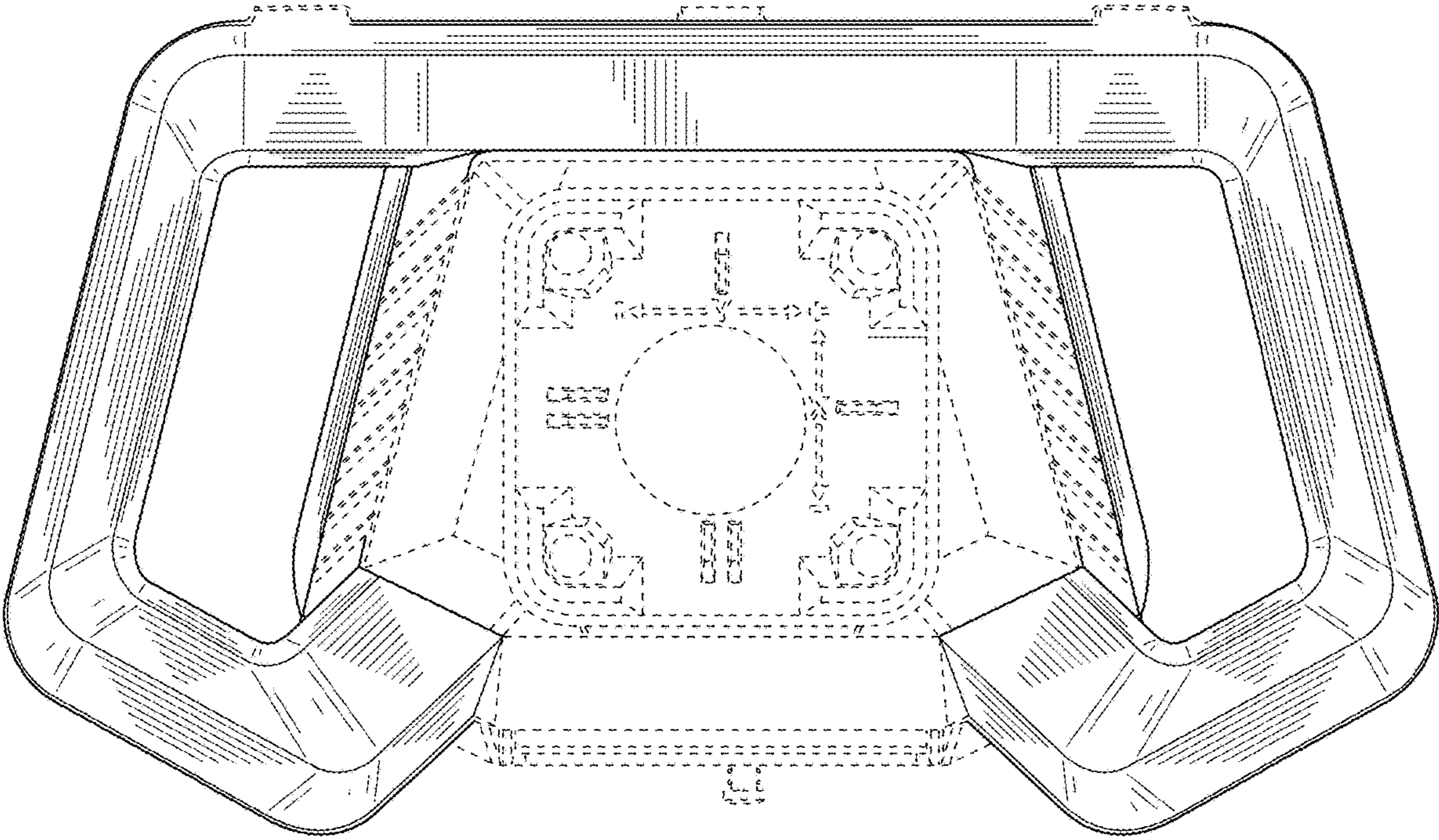


FIG. 6



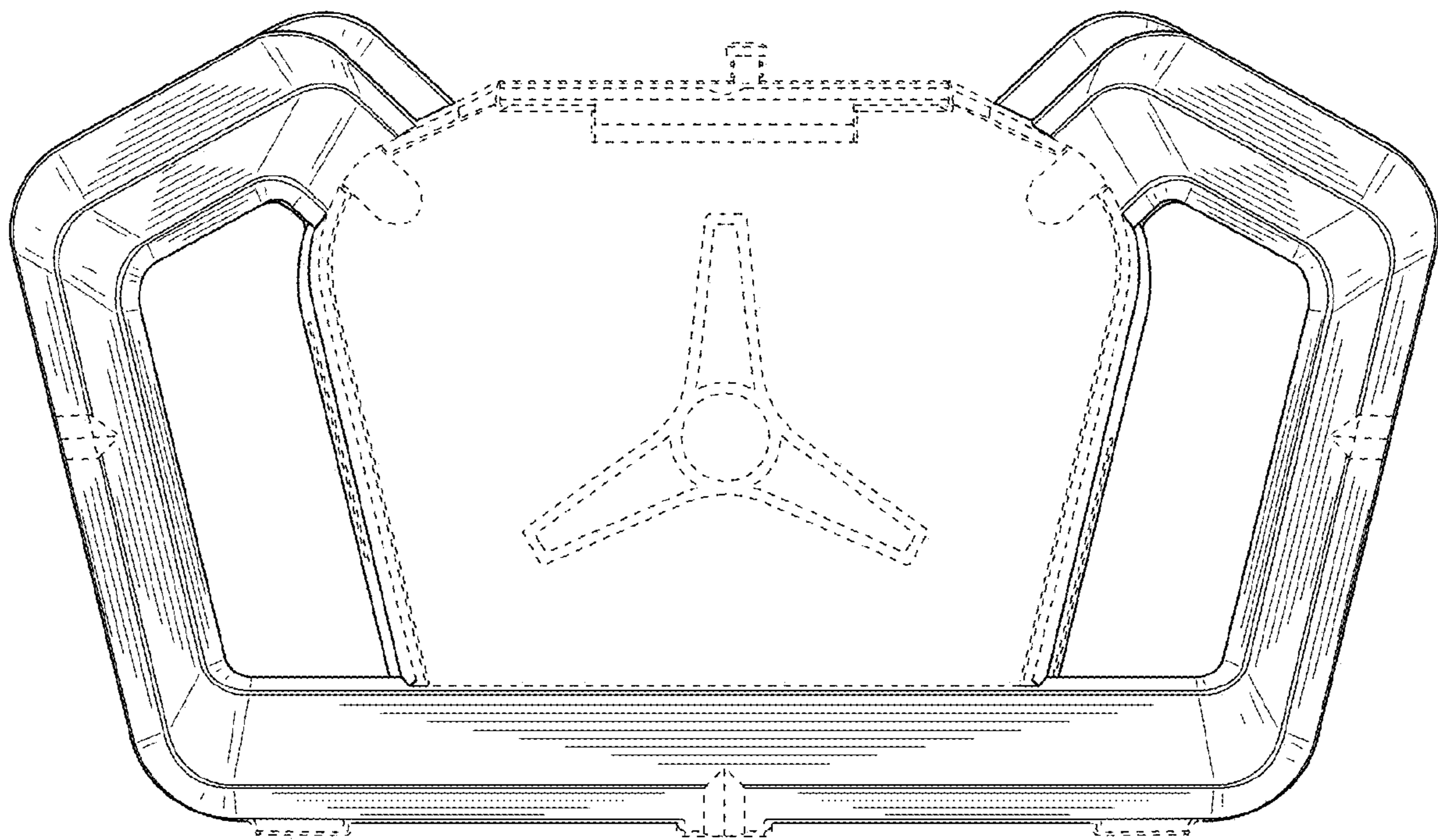


FIG. 7