



US00D932321S

(12) **United States Design Patent**
Jung

(10) **Patent No.:** **US D932,321 S**
(45) **Date of Patent:** **** Oct. 5, 2021**

(54) **COMBINED CASE AND BAND FOR SMART WATCH**

8,523,124 B2 9/2013 Yuan
D693,709 S 11/2013 Lee
D703,649 S 4/2014 Wikel

(71) Applicant: **SPIGEN KOREA CO., LTD.**, Seoul (KR)

(Continued)

(72) Inventor: **Soo Ha Jung**, Seoul (KR)

(73) Assignee: **SPIGEN KOREA CO., LTD.**, Seoul (KR)

(**) Term: **15 Years**

(21) Appl. No.: **29/661,538**

(22) Filed: **Aug. 28, 2018**

(51) **LOC (13) Cl.** **10-02**

(52) **U.S. Cl.**
USPC **D10/32; D14/440; D11/3**

(58) **Field of Classification Search**
USPC D10/30-39, 122-124, 126, 132; D11/3, D11/5; D8/307, 312

See application file for complete search history.

(56) **References Cited**

U.S. PATENT DOCUMENTS

D408,314 S *	4/1999	Kojima	D11/3
D522,900 S *	6/2006	Yamamoto	D11/3
D602,386 S *	10/2009	Ueda	D10/32
D608,222 S *	1/2010	Kimura	D10/32
D638,324 S	5/2011	Tang		
7,946,758 B2	5/2011	Mooring		
D647,107 S	10/2011	Akana		
D654,814 S *	2/2012	Kumano	D10/32
D656,135 S	3/2012	Swartz		
8,256,612 B1	9/2012	Wang		
D671,930 S	12/2012	Akana		
D674,789 S	1/2013	Wen		
D678,262 S	3/2013	Prato		
D681,483 S	5/2013	Biegert		
D688,582 S	8/2013	Wilson		
D688,967 S	9/2013	Wilson		

OTHER PUBLICATIONS

Spigen Rugged Armor Pro Apple Watch Series 3 | Review posted Aug. 1, 2018 by Jones at amazon.com [online]. © 1996-2019, Amazon.com, Inc. [retrieved Jan. 10, 2019] from Internet: <https://www.amazon.com/Spigen-Rugged-Armor-Designed-Original/dp/B075FJCM4G#customerReviews> (Year: 2018).*

(Continued)

Primary Examiner — Katherine Glennon

(74) *Attorney, Agent, or Firm* — Heedong Chae; Lucem, PC

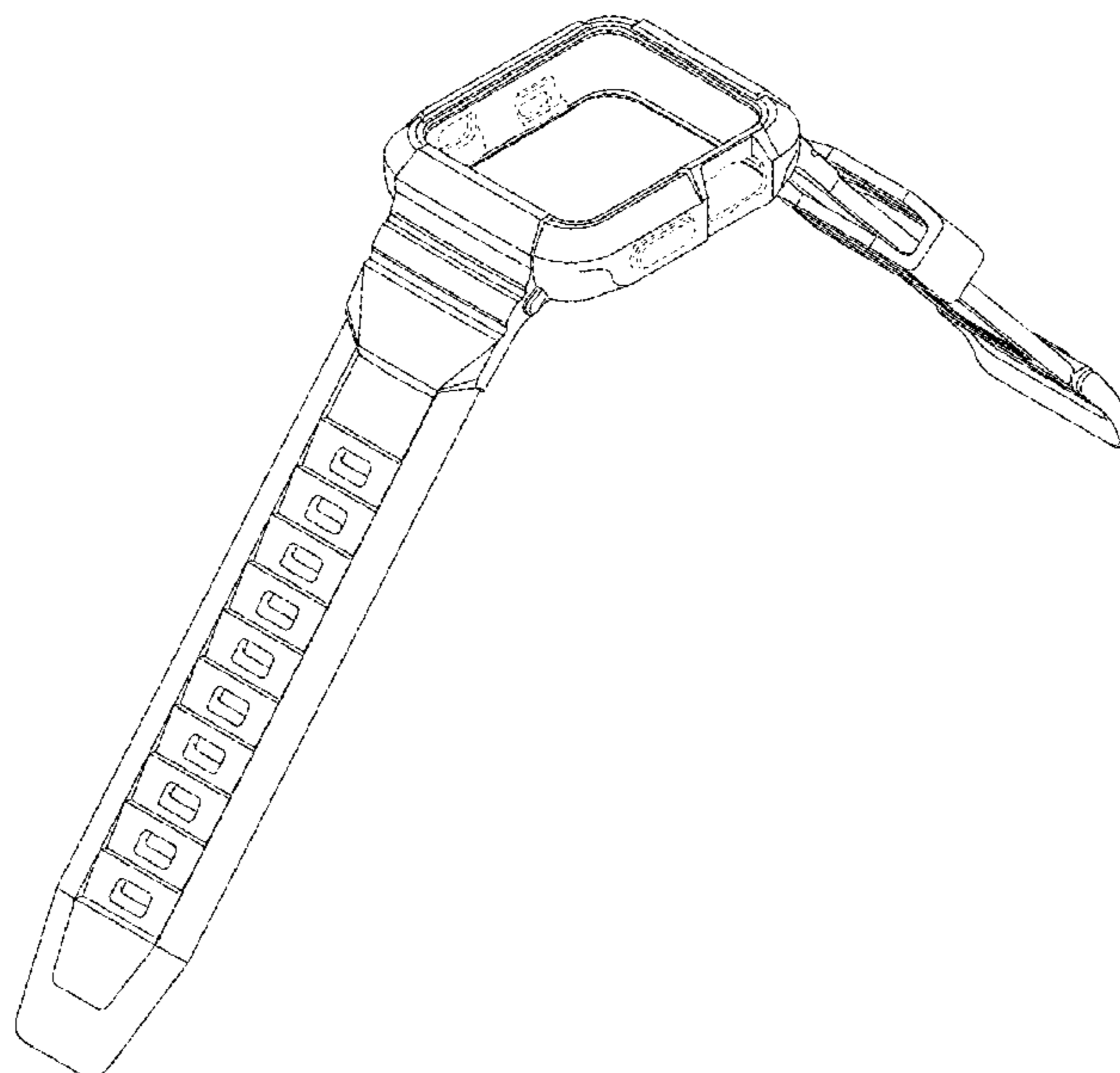
(57) **CLAIM**

The ornamental design for a combined case and band for smart watch, as shown and described.

DESCRIPTION

FIG. 1 is a front perspective view of a combined case and band for smart watch showing my new design; FIG. 2 is another front perspective view thereof; FIG. 3 is a front elevational view thereof; FIG. 4 is a rear elevational view thereof; FIG. 5 is a left side elevational view thereof; FIG. 6 is a right side elevational view thereof; FIG. 7 is a top plan view thereof; FIG. 8 is a bottom plan view thereof; FIG. 9 is a rear perspective view thereof; and, FIG. 10 is another rear perspective view thereof. The broken lines in the drawing figures depict portions of the combined case and band for smart watch that form no part of the claimed design.

1 Claim, 10 Drawing Sheets



(56)

References Cited

OTHER PUBLICATIONS

U.S. PATENT DOCUMENTS

8,770,831	B1 *	7/2014	Lalo	A44C 5/14 224/177
D710,736	S *	8/2014	Goto	D10/32
D714,295	S	9/2014	Fujioka		
D716,312	S *	10/2014	Fujioka	D14/440
D723,016	S	2/2015	Lee		
D725,495	S *	3/2015	Buonamassa	D10/124
8,967,437	B2	3/2015	Wilson		
D728,549	S	5/2015	Su		
D730,225	S	5/2015	Behar		
D732,414	S *	6/2015	Cerrato	D11/3
D735,198	S	7/2015	Song		
D735,199	S	7/2015	Song		
D735,200	S	7/2015	Song		
D735,586	S	8/2015	Stegmann		
D736,103	S	8/2015	Behling		
D752,044	S *	3/2016	Akana	D14/344
D752,579	S	3/2016	Lee		
D752,996	S	4/2016	Ebersold		
D754,133	S	4/2016	Chen		
D755,393	S *	5/2016	Amsler	D24/167
D757,590	S	5/2016	Akana		
D758,234	S *	6/2016	Riddiford	D11/3
D760,107	S	6/2016	Akana		
D766,752	S	9/2016	Akana		
D766,904	S *	9/2016	Jung	D14/440
D768,529	S	10/2016	Jung		
D771,504	S	11/2016	Lai		
D775,126	S *	12/2016	Montero Odasso	D10/38
D779,356	S *	2/2017	Thumm	D11/3
D779,993	S	2/2017	Akana		
D781,171	S *	3/2017	Akana	D11/3
D784,345	S	4/2017	Kwon		
D785,482	S *	5/2017	Schwamkrug	D11/3
D792,795	S *	7/2017	Cerrato	D11/3
D793,271	S *	8/2017	Cerrato	D11/3
D794,492	S	8/2017	Arrow		
D795,089	S *	8/2017	Wright	D10/32
D795,121	S	8/2017	Akana		
D798,744	S *	10/2017	Wright	A45C 13/008 D10/30
D798,760	S	10/2017	Akana		
D799,344	S *	10/2017	Wright	D10/30
D808,962	S *	1/2018	Wu	D14/344
D813,705	S	3/2018	Ferguson		
D820,140	S	6/2018	Register		
D822,525	S	7/2018	Akana		
D826,934	S *	8/2018	Lee	D14/344
D828,352	S *	9/2018	Akana	D14/344
D828,835	S	9/2018	Akana		
10,093,377	B2 *	10/2018	Whitten	G06F 1/1656
D834,439	S *	11/2018	Monachon	D11/3
D836,478	S *	12/2018	Wright	D11/3
2010/0061191	A1	3/2010	Chen		
2011/0309116	A1 *	12/2011	Shindo	A44B 11/006 224/164
2012/0257340	A1	10/2012	Kim		
2013/0222139	A1	8/2013	Gouge		
2015/0002947	A1 *	1/2015	Krajewska	G02B 25/002 359/817

Spigen Rugged Armor Pro Apple Watch Case | Review posted by David on Jul. 1, 2018 at amazon.com [online]. © 1996-2019 Amazon.com, Inc.[retrieved Jan. 24, 2019] from Internet:<<https://www.amazon.com/Spigen-Rugged-Armor-Designed-Original/dp/B075FJCM4G#customerReviews>> (Year: 2018).*

Spigen Rugged Band | posted by How To and Reviews at youtube.com Dec. 2015 [online] [retrieved Jan. 24, 2019] from Internet:<<https://www.youtube.com/watch?v=HYxGXIQNWak>> (Year: 2015).*

“Waterproof Case for Apple Watch,IP68 Waterproof Dust-Proof Shockproof Case with Watchband for Apple Watch Black (38mm Apple Watch Waterproof Case)”, <https://www.amazon.com/dp/B07MDYCPZB/>, Earliest review date of May 20, 2015, Downloaded on May 26, 2020.

“LaBold Waterproof Case for Apple Watch 4,IP68 Waterproof Dust-Proof Shockproof Case with Watchband for Apple Watch Black (40mm Waterproof case for Apple 2019—Blue)”, <https://www.amazon.com/dp/B01C6Q9VXW>, Earliest review date of May 4, 2016, Downloaded on May 26, 2020.

“SUPCASE [Unicom Beetle Pro] Case for Apple Watch 3, Rugged Protective Case with Strap Bands for Apple Watch Series 3 2017 Edition [42mm,Compatible with Apple Watch 42mm 2015 2016] (Blue)”, <https://www.amazon.com/dp/B079L6C98B>, Earliest review date of Nov. 21, 2017, Downloaded on May 26, 2020.

“Catalyst 330ft Waterproof Case for Apple Watch 38mm Series 3 & 2 Rugged iWatch Protective Case, Drop Proof Shock Proof Impact Resistant for Apple Watch, Stealth Black”, <https://www.amazon.com/dp/B075R4NNPH/>, Earliest review date of Jan. 26, 2018, Downloaded on May 26, 2020.

“SUPCASE [Unicom Beetle Pro] Case for Apple Watch 3, Rugged Protective Case with Strap Bands for Apple Watch Series 3 2017 Edition [42mm, Compatible with Apple Watch 42mm 2015 2016] (Black) Visit the SupCase”, <https://www.amazon.com/dp/B077D118JY>, Earliest review date of Aug. 20, 2018, Downloaded on May 26, 2020.

“Spigen Tough Armor Designed for Apple Watch Case for 42mm Series 3 / Series 2/1 / Original (2015) / Nike+ Sport Edition and Built in Screen Protector—Gunmetal”, <https://www.amazon.com/dp/B01N74P26H>, Earliest review date of Jan. 4, 2017, Downloaded on May 26, 2020.

“Rugged Armor Designed for Apple Watch Case for 42mm Series 3/Series 2/1/Original (2015)—Black”, <https://www.amazon.com/dp/B00UVSNQPM>, Earliest review date of Apr. 30, 2015, Downloaded on Jan. 15, 2019.

“Spigen Tough Armor Designed for Apple Watch Case and Built in Screen Protector for 42mm (2015)—Gunmetal”, <https://www.amazon.com/dp/B00UVSOWBY>, Earliest review date of May 7, 2015, Downloaded on Jan. 15, 2019.

“Spigen Rugged Armor Designed for Apple Watch Case for 38mmSeries 3/Series 2/1/Original(2014)—Black”, <https://www.amazon.com/dp/B00UVSO3S6>, Earliest review date of May 22, 2015, Downloaded on Sep. 5, 2018.

* cited by examiner

FIG. 1

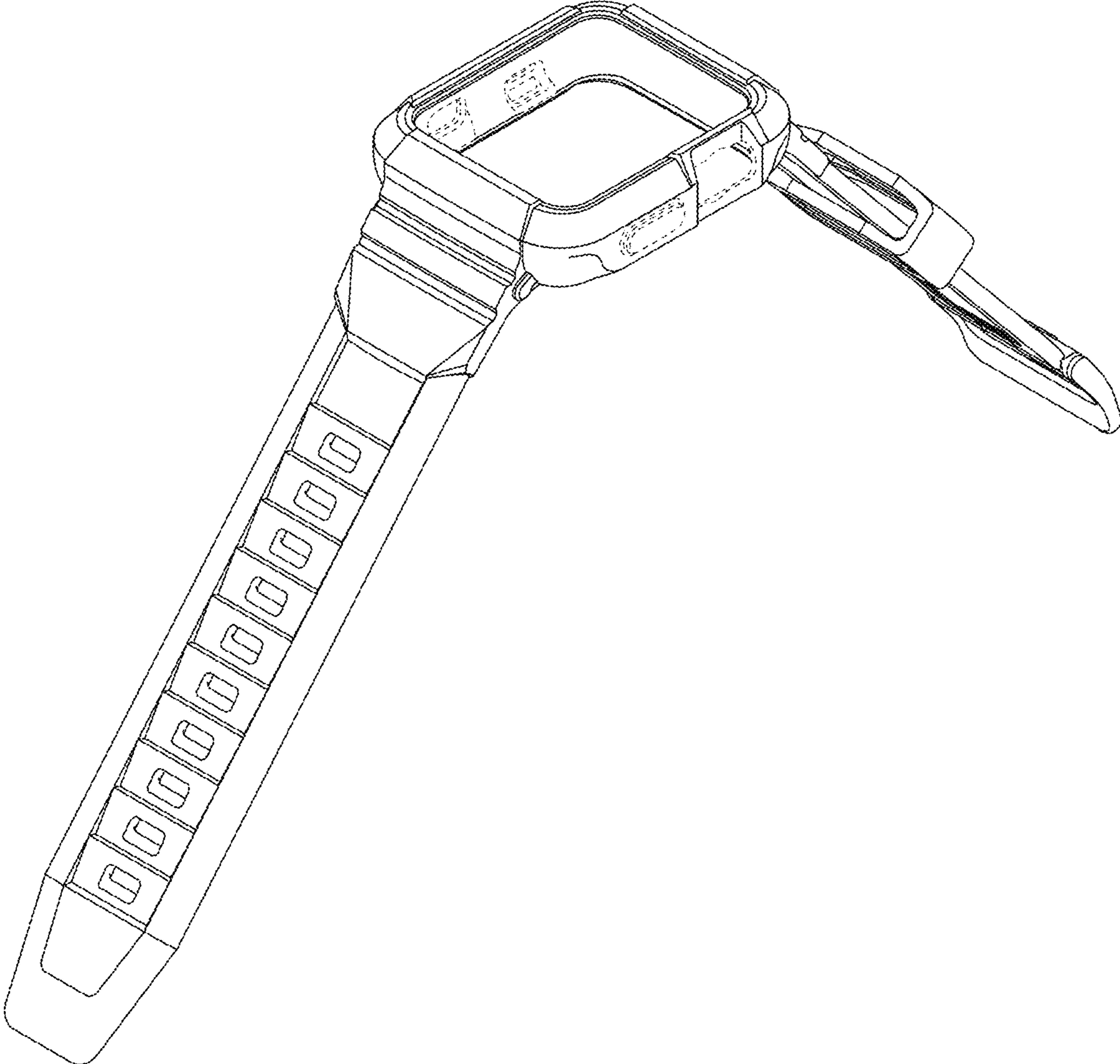


FIG. 2

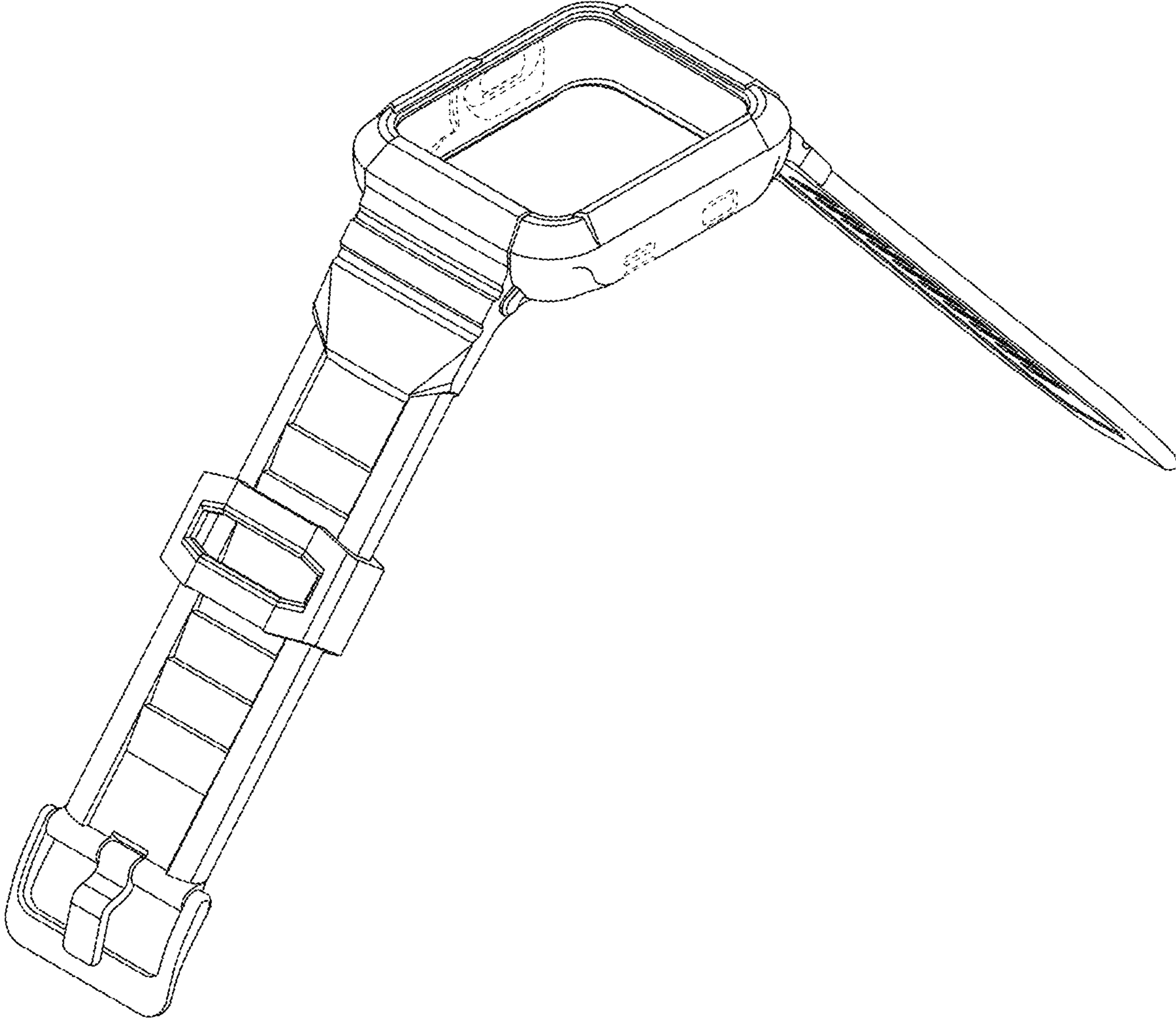


FIG. 3

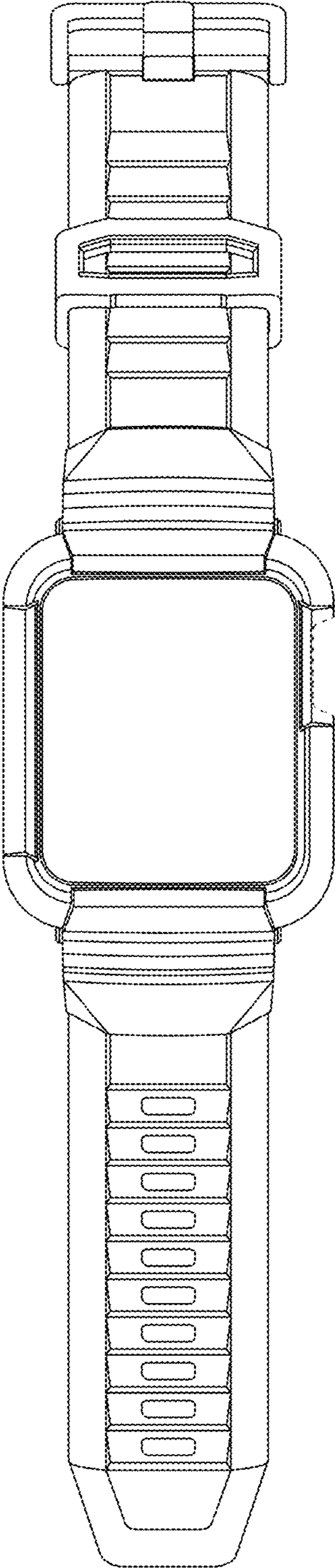


FIG. 4

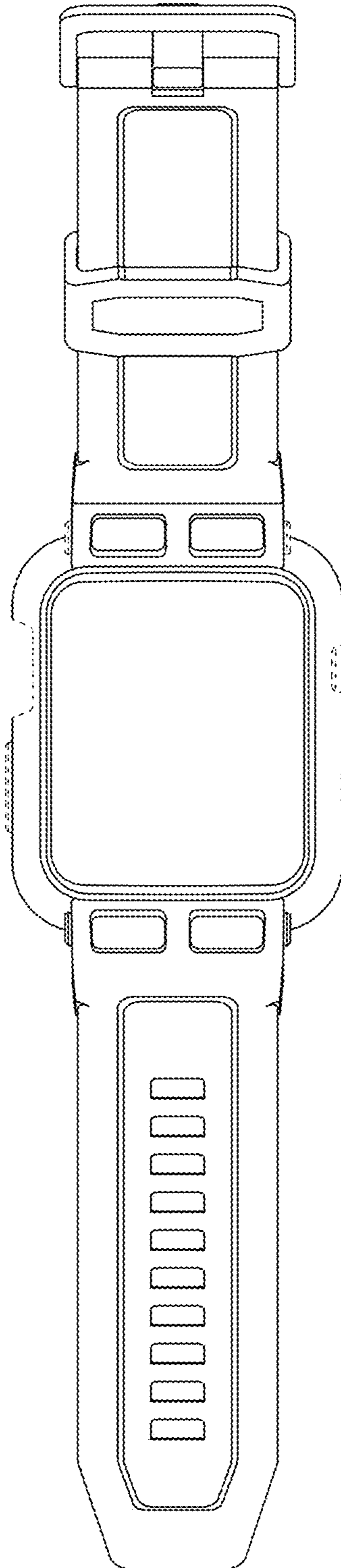


FIG. 5

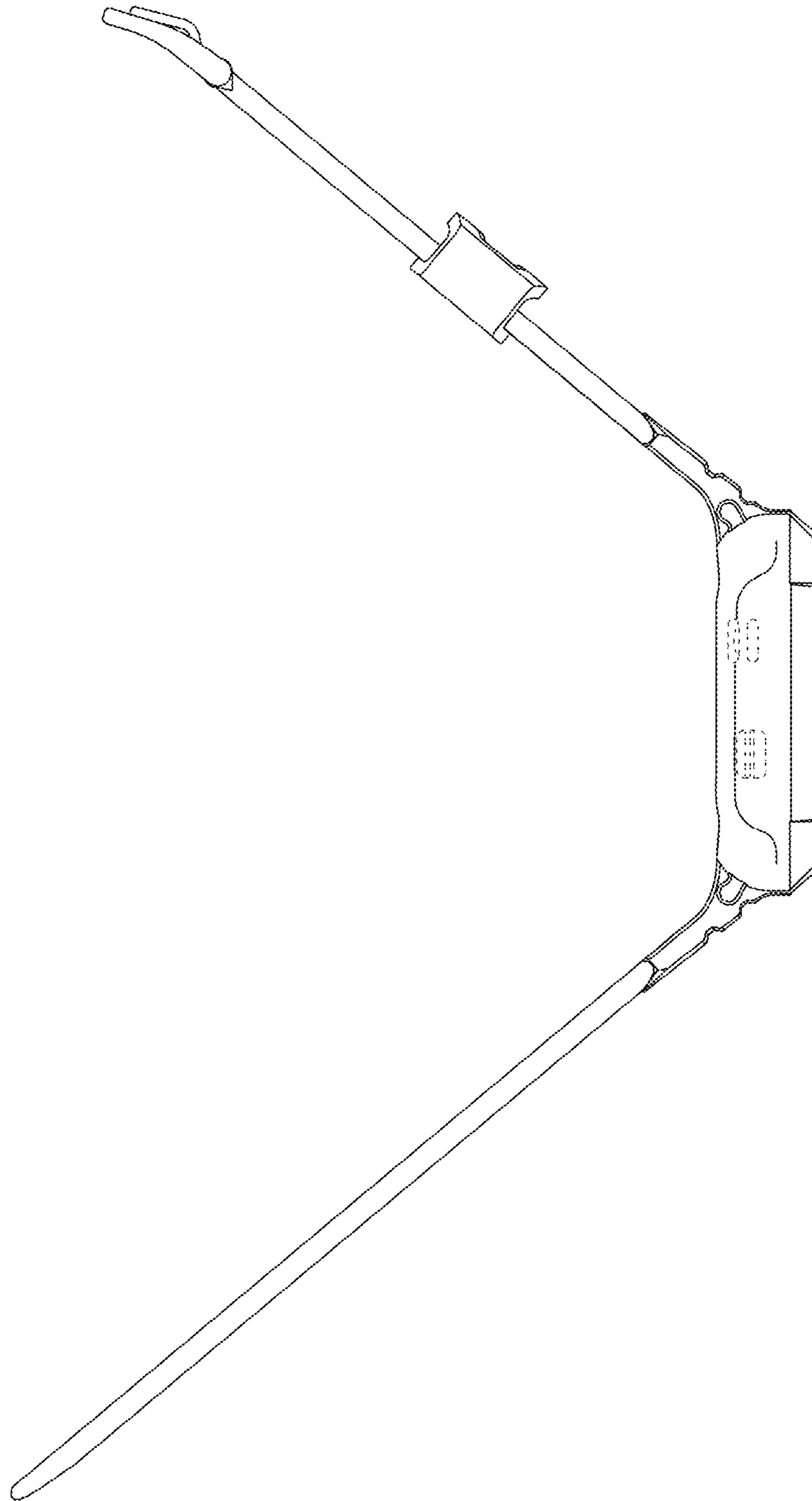


FIG. 6

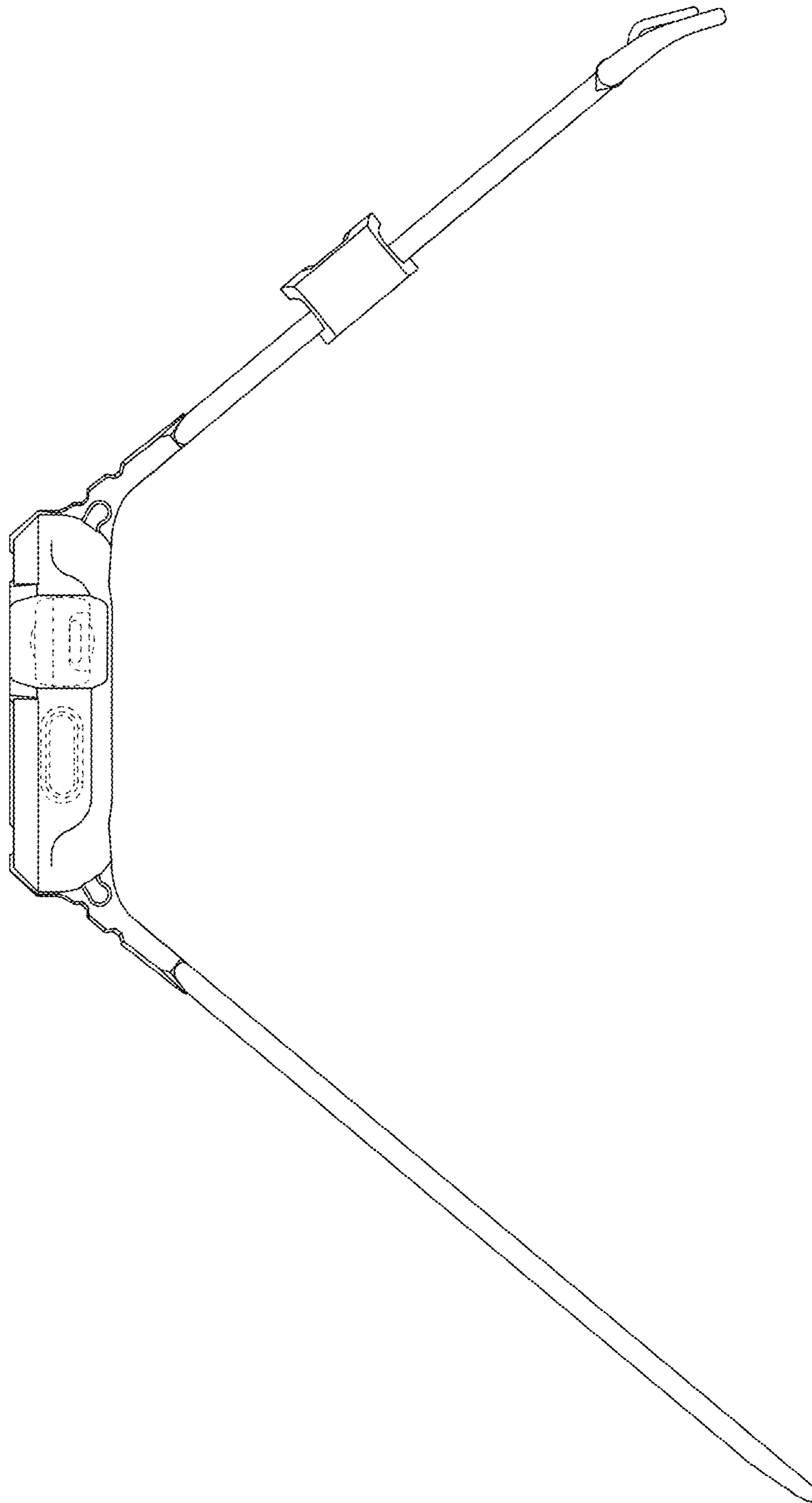


FIG. 7

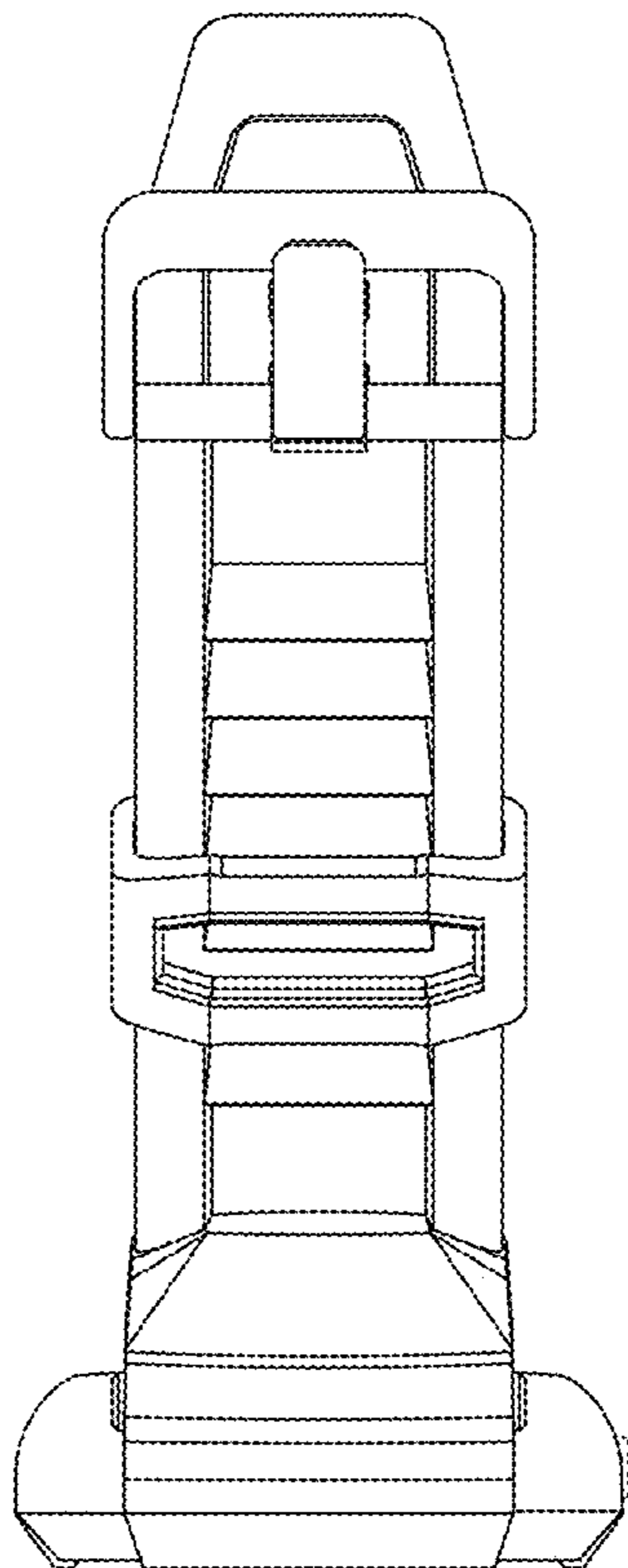


FIG. 8

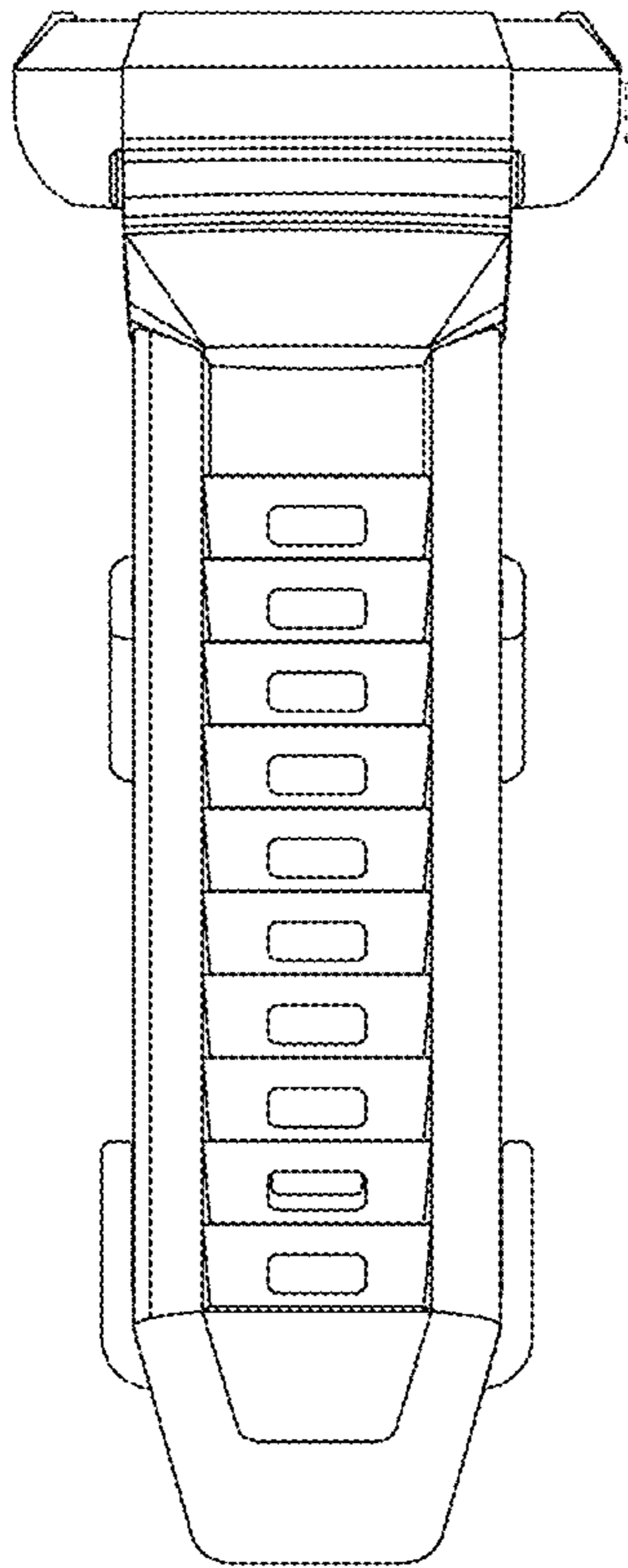


FIG. 9

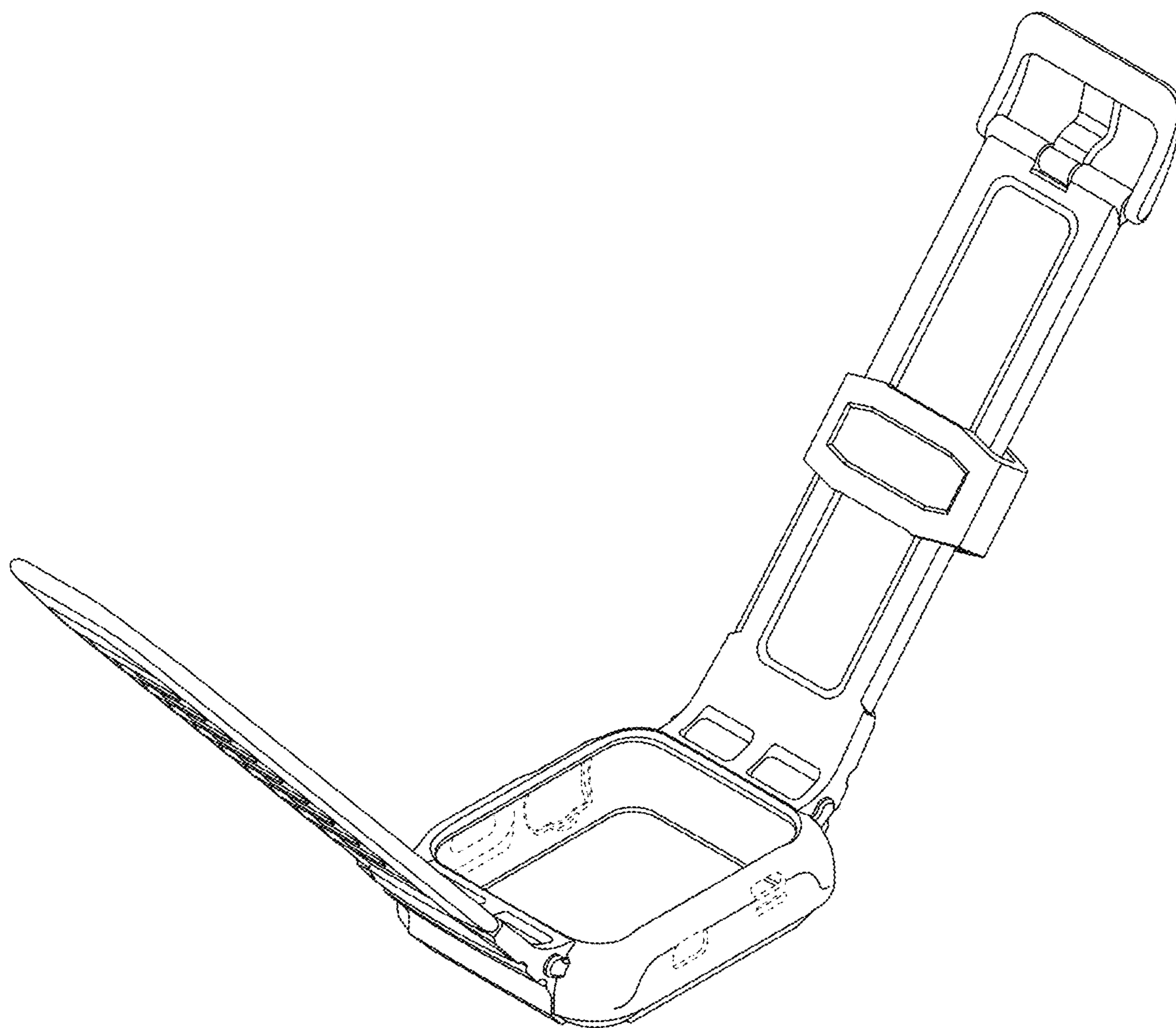


FIG. 10

