

US00D932319S

(12) **United States Design Patent** (10) **Patent No.:** **US D932,319 S**
Fulton et al. (45) **Date of Patent:** **** Oct. 5, 2021**

(54) **APPLICATOR**

(71) Applicant: **David L. Osment**, Naples, FL (US)
(72) Inventors: **C. Dwayne Fulton**, Osage Beach, MO (US); **Tomas Sovcik**, Linn Creek, MO (US)
(73) Assignee: **David L. Osment**, Naples, FL (US)
(**) Term: **15 Years**

Primary Examiner — Janice Patyk
(74) *Attorney, Agent, or Firm* — Stinson LLP

(21) Appl. No.: **29/656,086**

(22) Filed: **Jul. 10, 2018**

(51) **LOC (13) Cl.** **09-01**

(52) **U.S. Cl.**
USPC **D9/723**

(58) **Field of Classification Search**
USPC D9/442, 503, 695–699, 702–714,
D9/723–729; D24/199; D28/7; D7/667
CPC A45D 34/00; A45D 40/00; B65D 81/3272
See application file for complete search history.

(56) **References Cited**

U.S. PATENT DOCUMENTS

6,053,650	A *	4/2000	Bennett	B05C 17/0325
					401/208
D592,527	S *	5/2009	Serio	D9/529
D611,824	S *	3/2010	Akkermans	D9/529
D617,657	S *	6/2010	Schriner	D9/723
D641,469	S *	7/2011	Ruiz, Sr.	D24/133
D662,789	S *	7/2012	Rowan	D7/667
D744,856	S *	12/2015	Stabinsky	D9/723
D771,389	S *	11/2016	Since	D4/102
D786,630	S *	5/2017	Walsh	D7/667

OTHER PUBLICATIONS

RaildigStore, The Grassinator™ Static Grass Applicator, <http://www.raildig.com/store/grassinator>, Jul. 20, 2018.
Noch, Gras-Master 2.0, <https://www.noch.com/en/gras-master-2-0-60135.html>, Jul. 20, 2018.

* cited by examiner

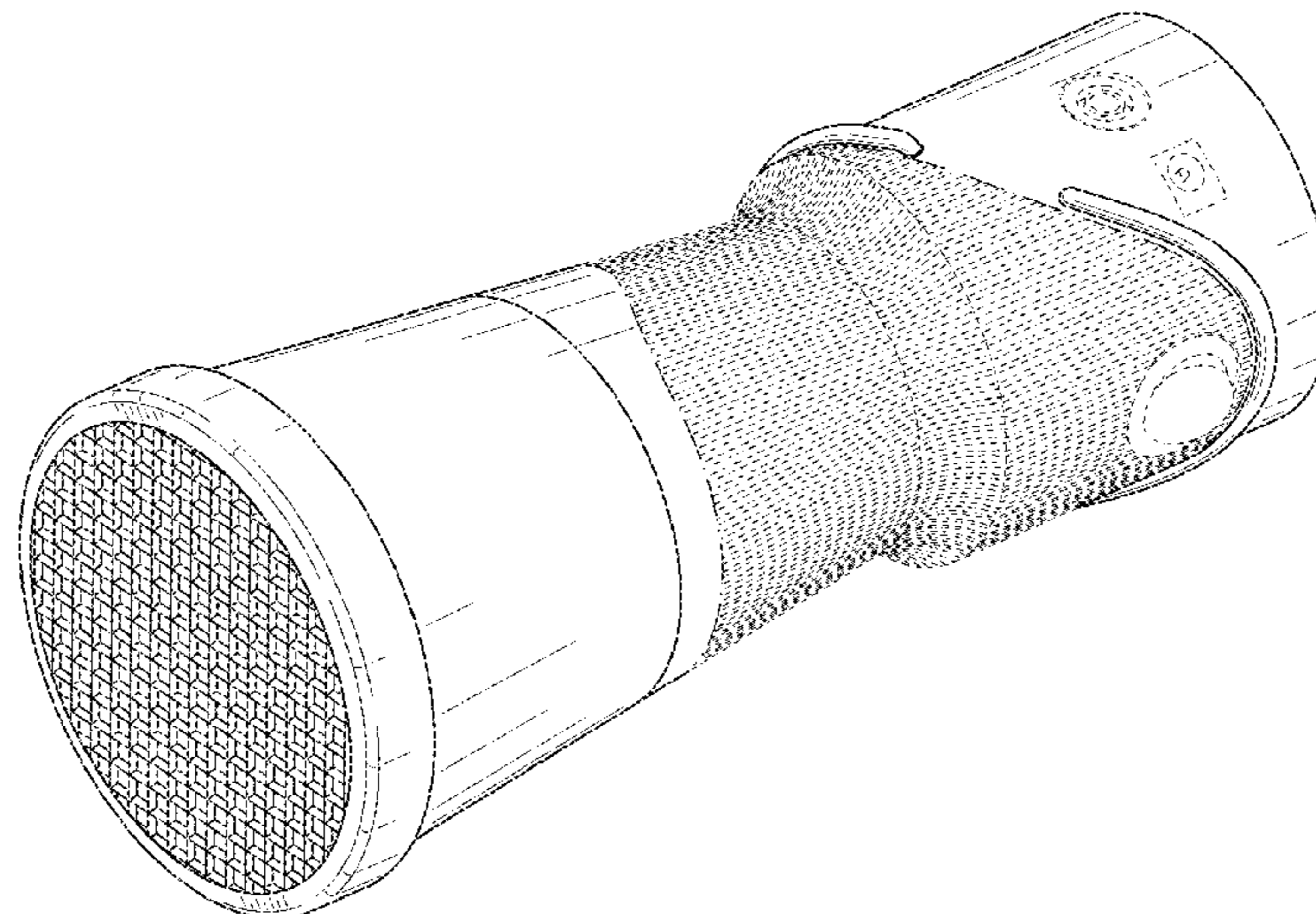
(57) **CLAIM**

The ornamental design for an applicator, as shown and described.

DESCRIPTION

FIG. 1 is a perspective view of embodiment one, of an applicator, showing our new design; FIG. 2 is a bottom plan view thereof; FIG. 3 is a top plan view thereof; FIG. 4 is a front elevation view thereof; FIG. 5 is a rear elevation view thereof; FIG. 6 is a left side elevation view thereof; FIG. 7 is a right side elevation view thereof; FIG. 8 is a perspective view of embodiment two, of an applicator, showing our new design; FIG. 9 is a bottom plan view thereof; FIG. 10 is a top plan view thereof; FIG. 11 is a front elevation view thereof; FIG. 12 is a rear elevation view thereof; FIG. 13 is a left side elevation view thereof; FIG. 14 is a right side elevation view thereof; FIG. 15 is a perspective view of embodiment three, of an applicator, showing our new design; FIG. 16 is a bottom plan view thereof; FIG. 17 is a top plan view thereof; FIG. 18 is a front elevation view thereof; FIG. 19 is a rear elevation view thereof; FIG. 20 is a left side elevation view thereof; and, FIG. 21 is a right side elevation view thereof. The dot-dash broken lines immediately adjacent to the claimed areas in the views represent the boundaries of the design and form no part thereof. None of the broken lines form any part of the claimed design.

1 Claim, 12 Drawing Sheets



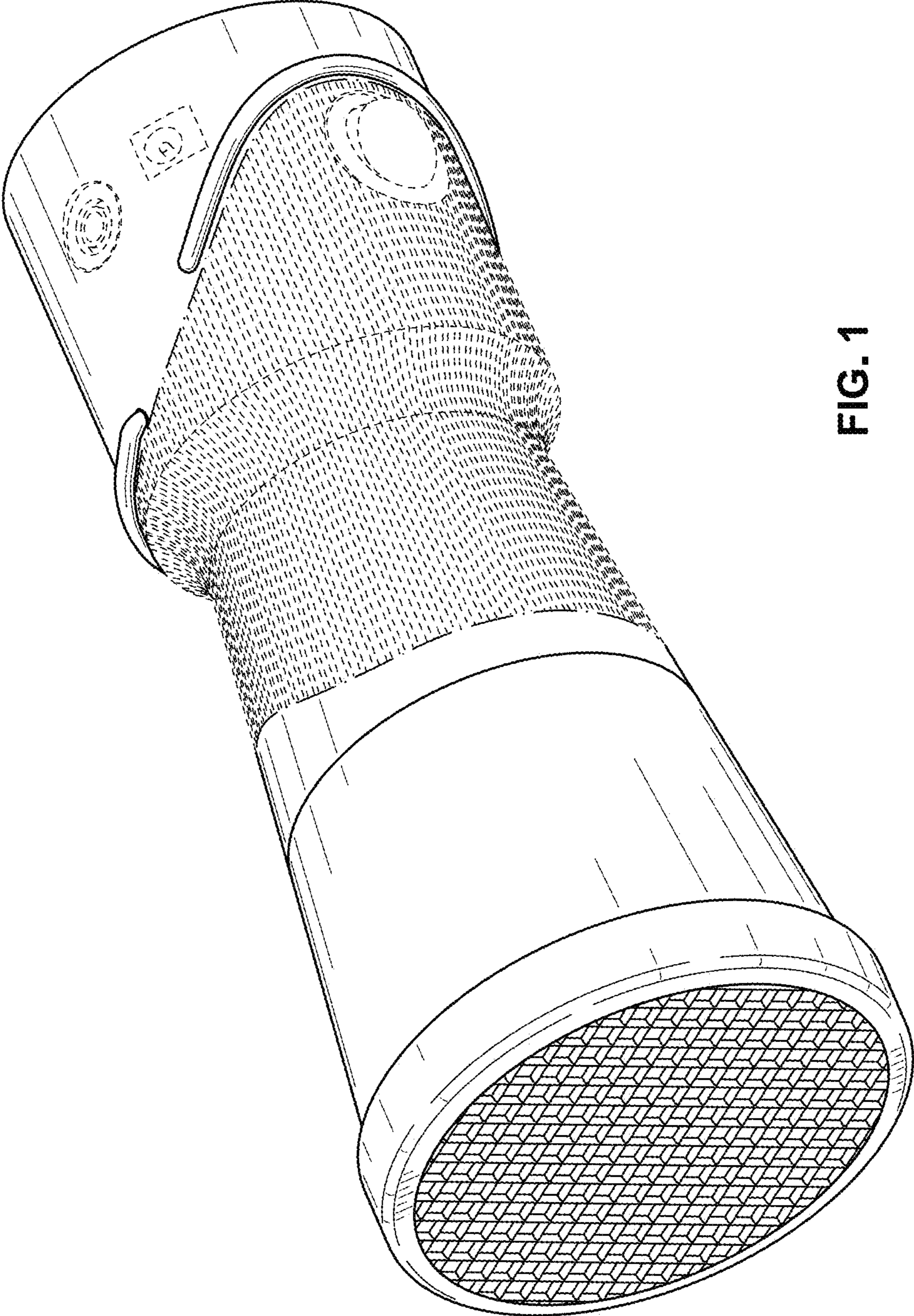


FIG. 1

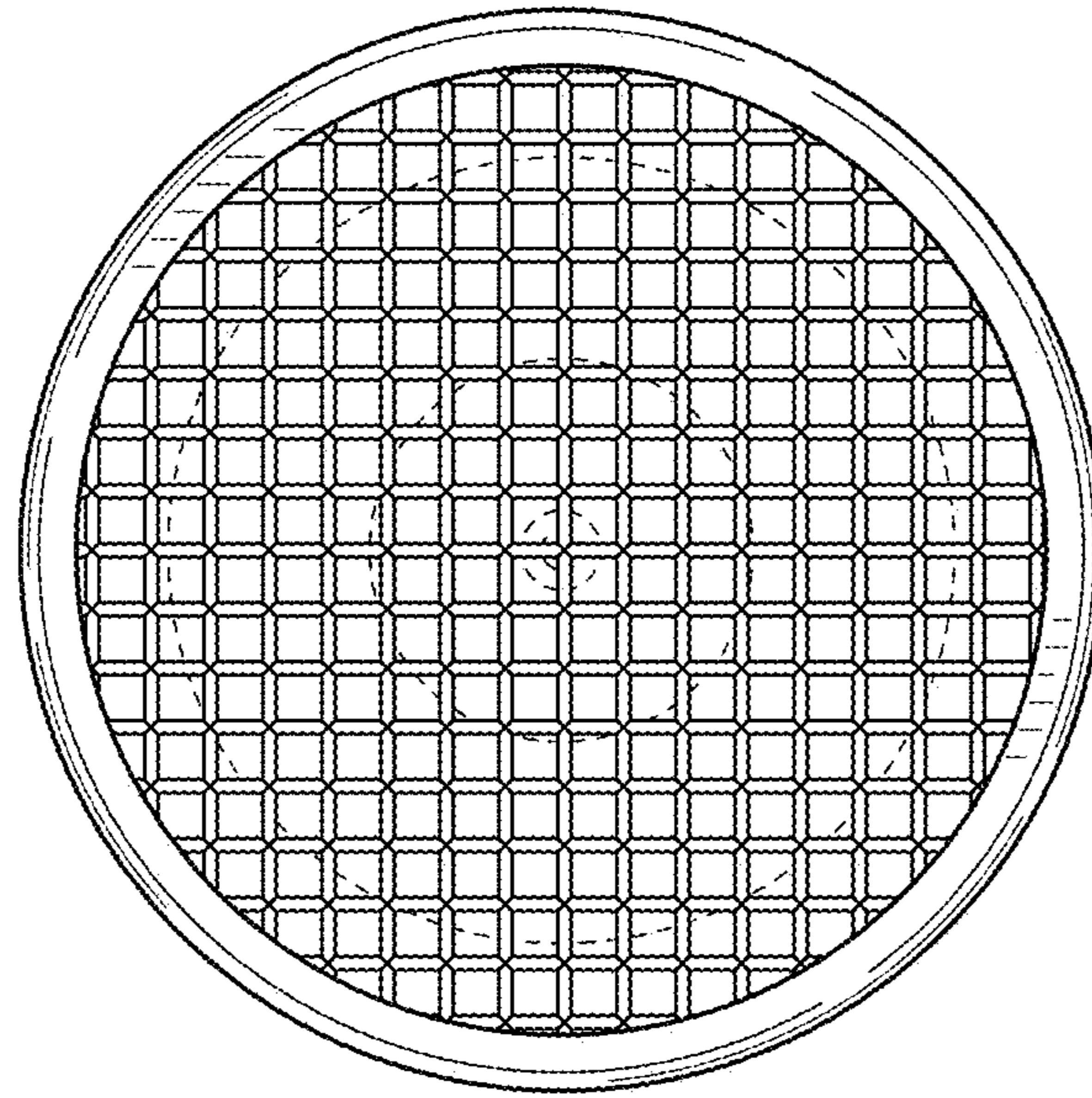


FIG. 2

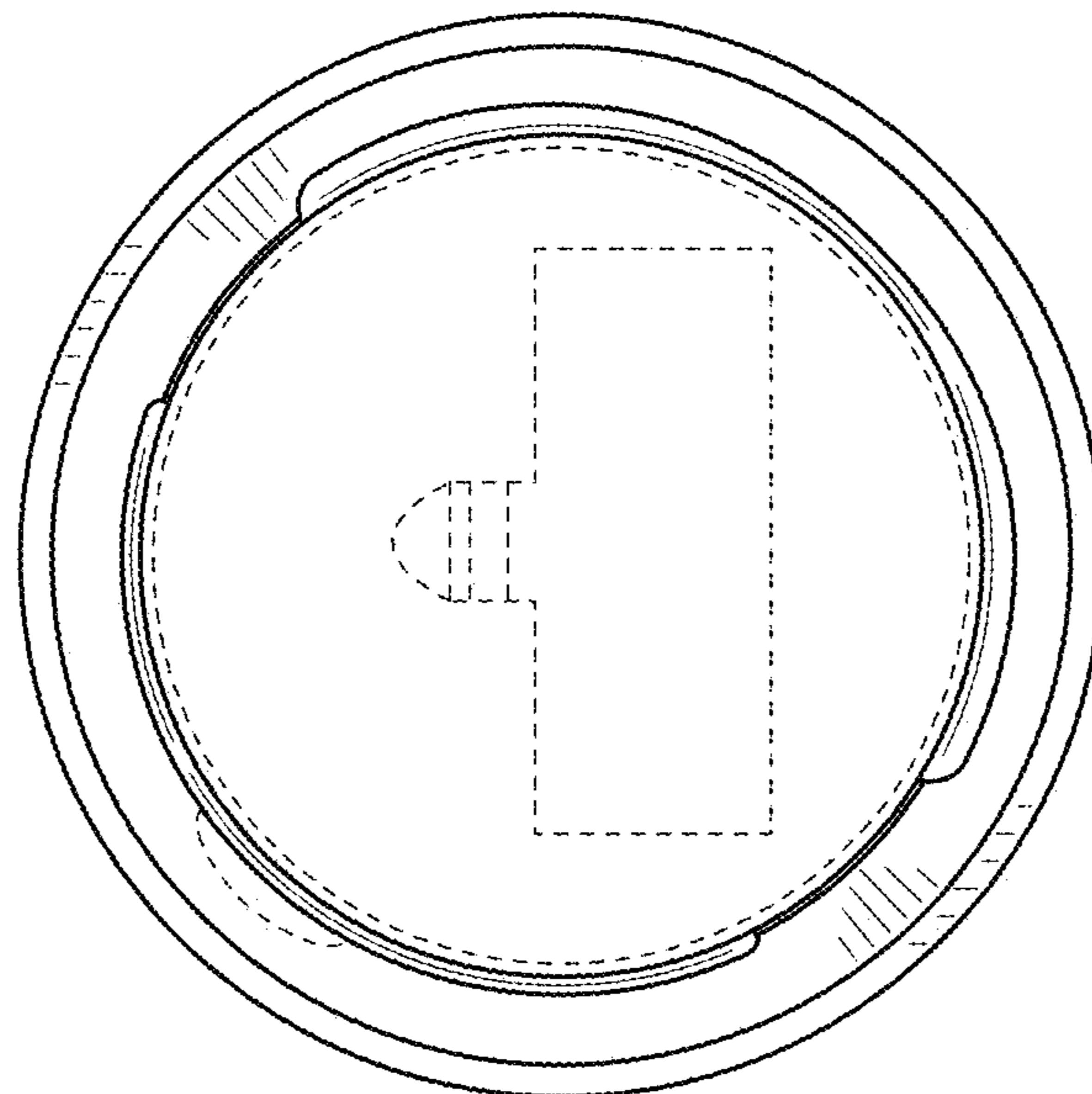


FIG. 3

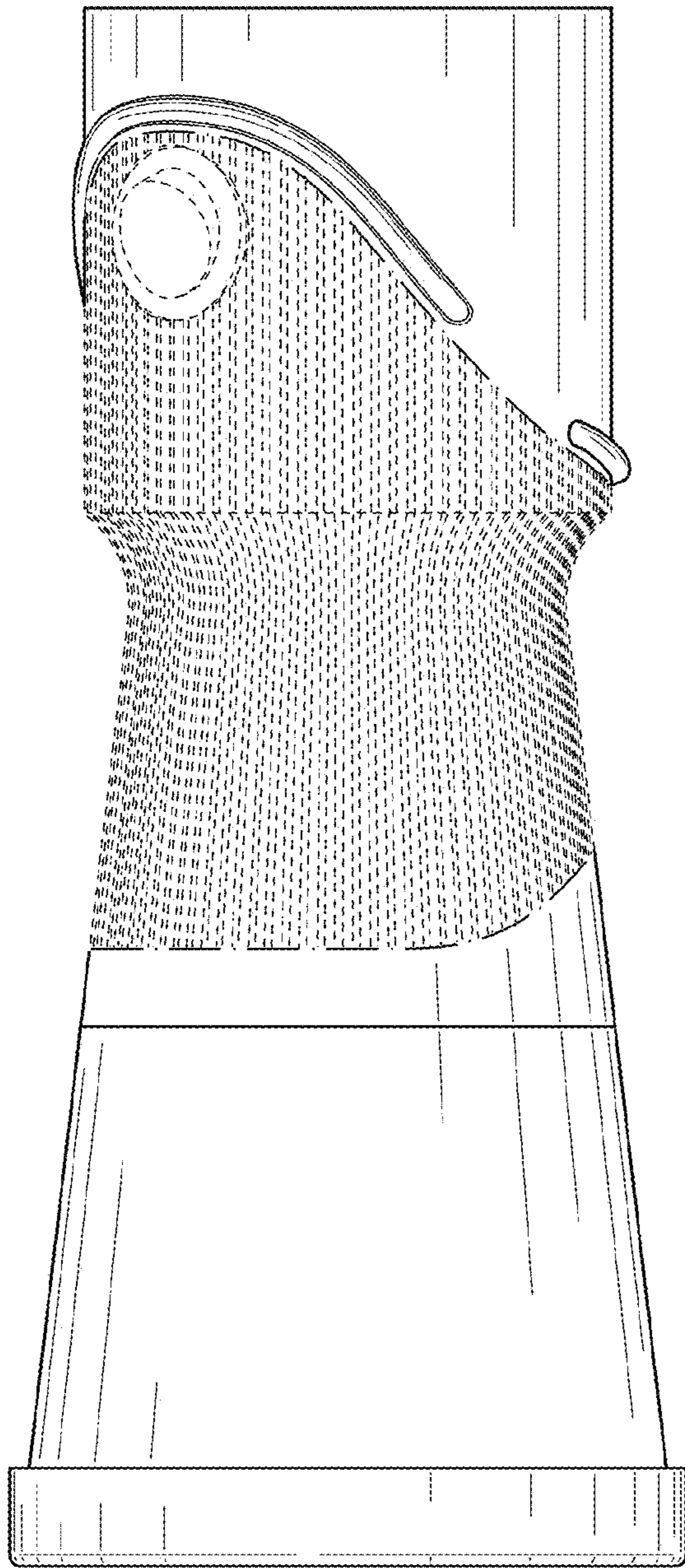


FIG. 4

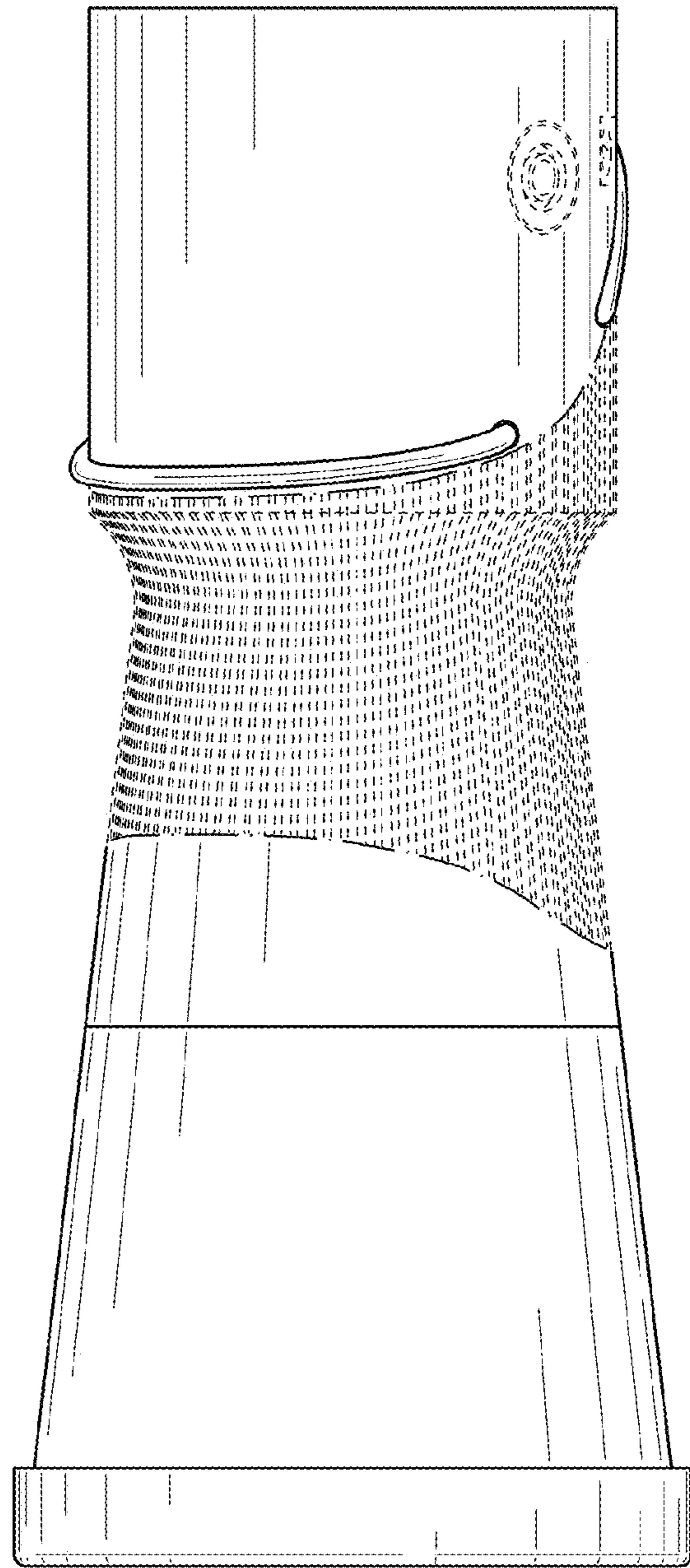


FIG. 5

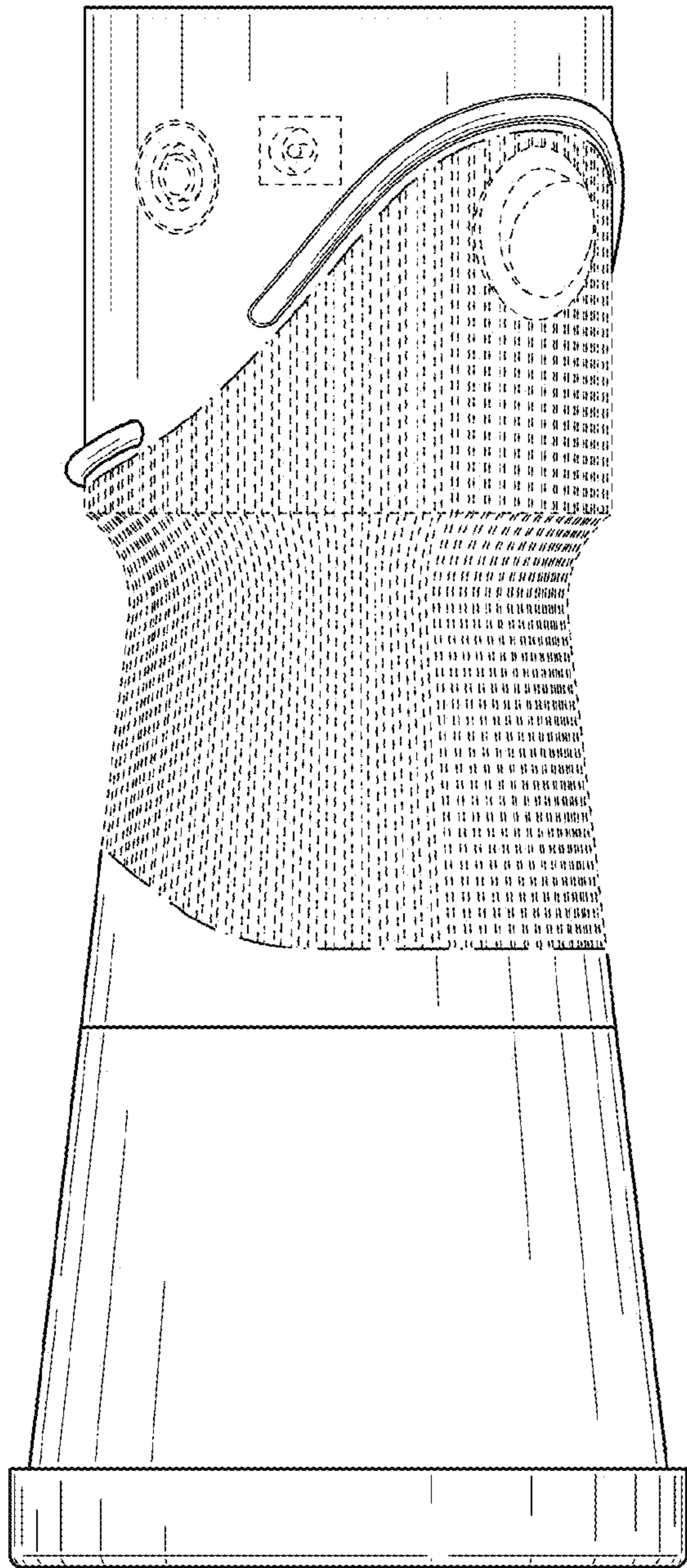


FIG. 6

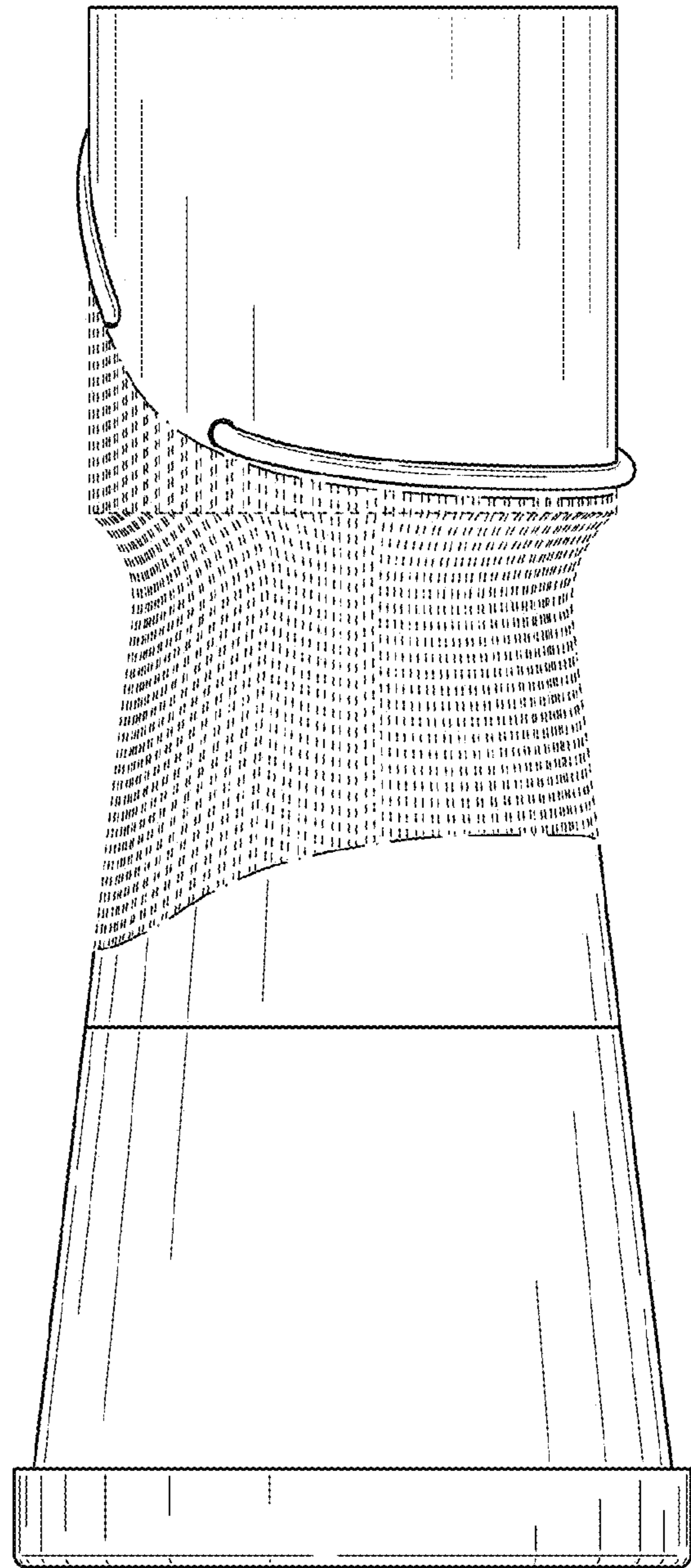


FIG. 7

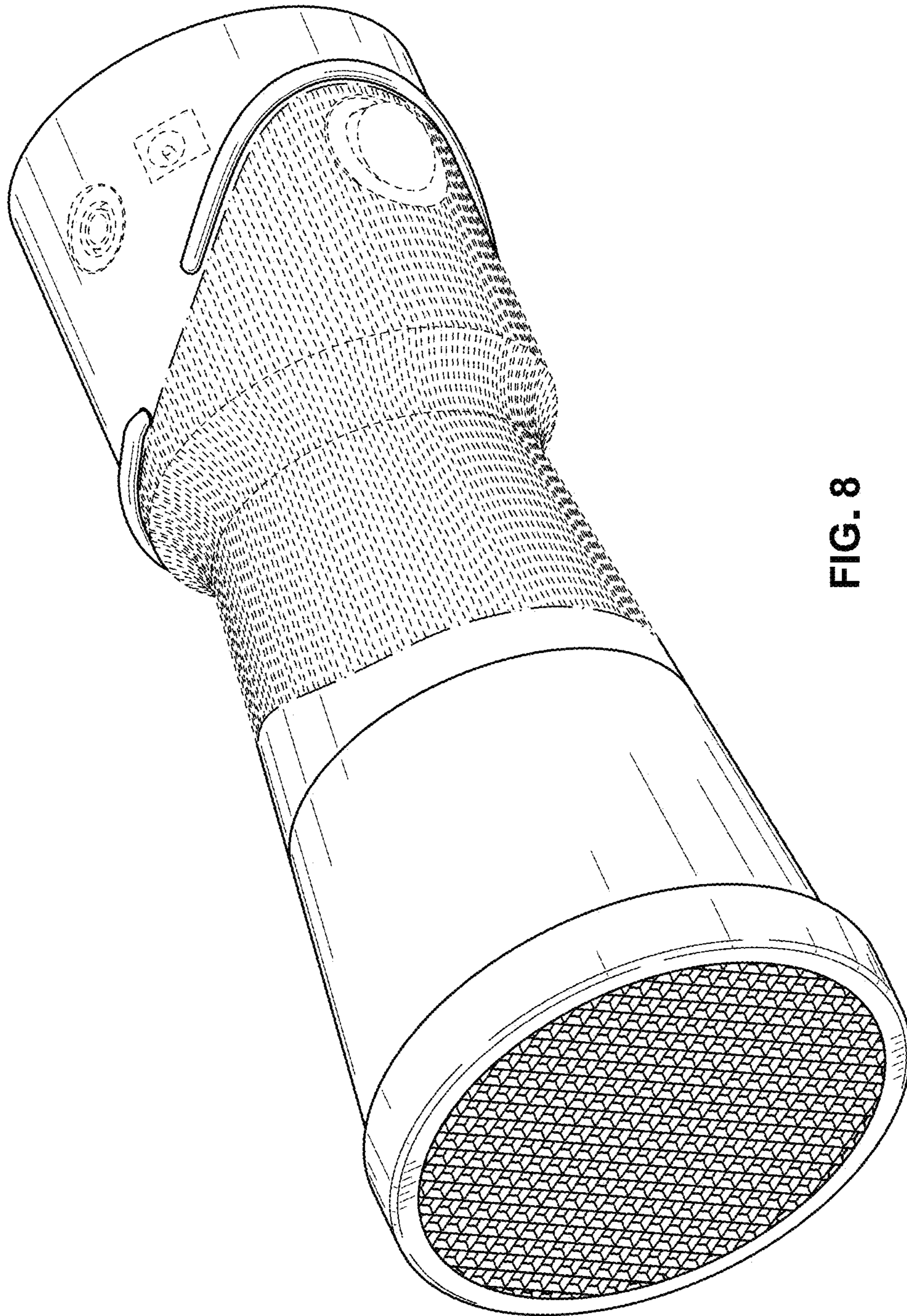


FIG. 8

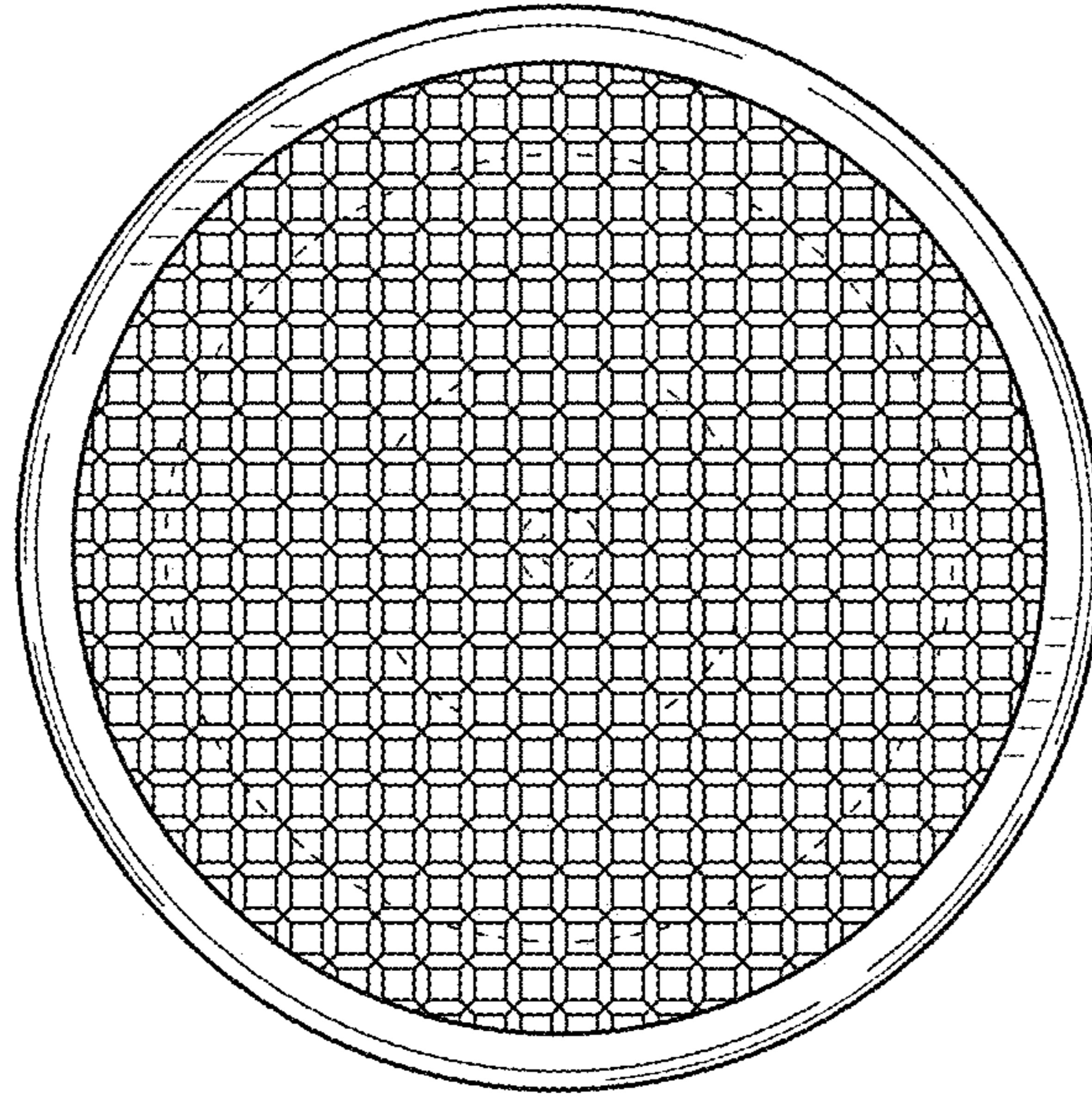


FIG. 9

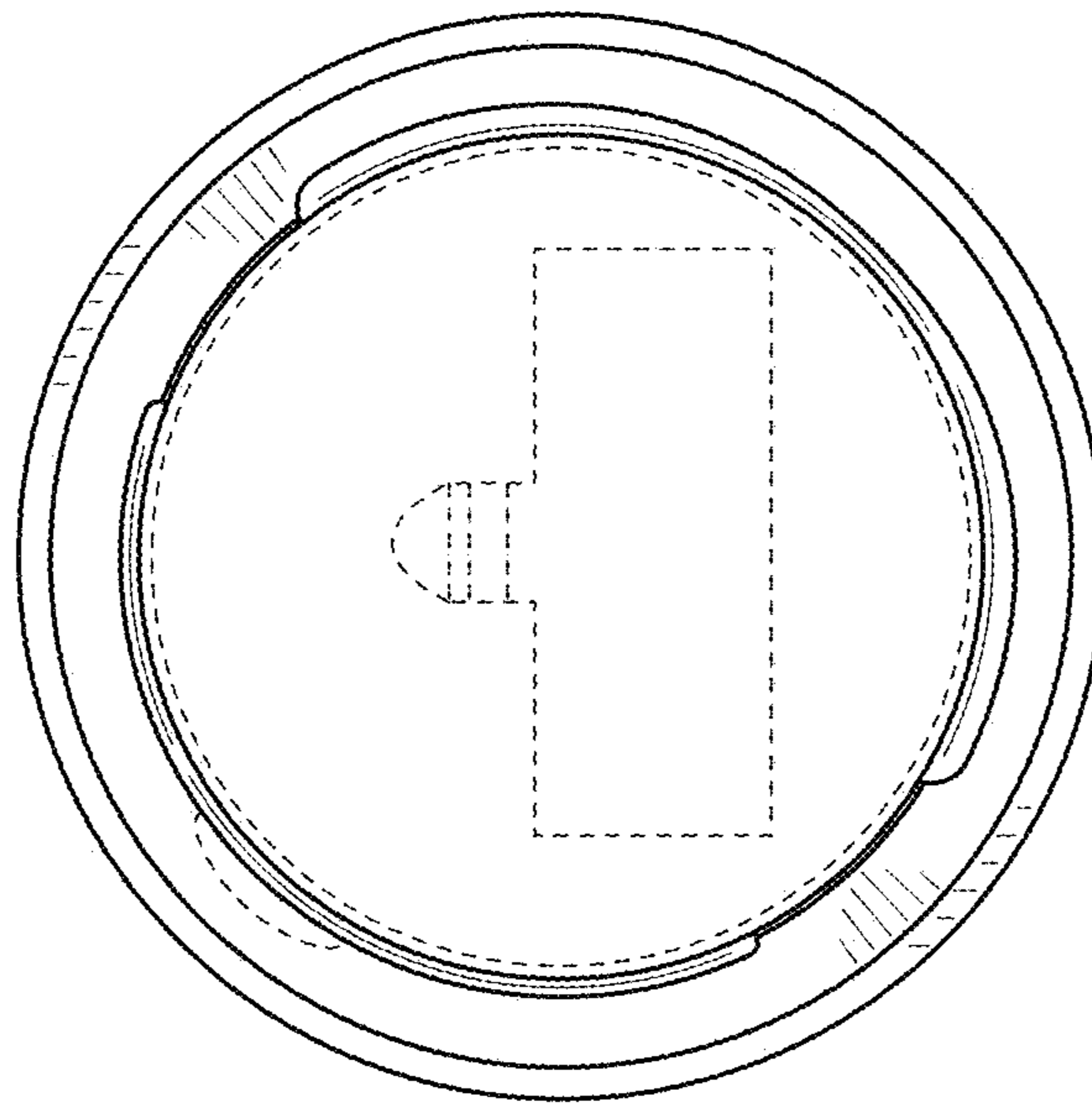


FIG. 10

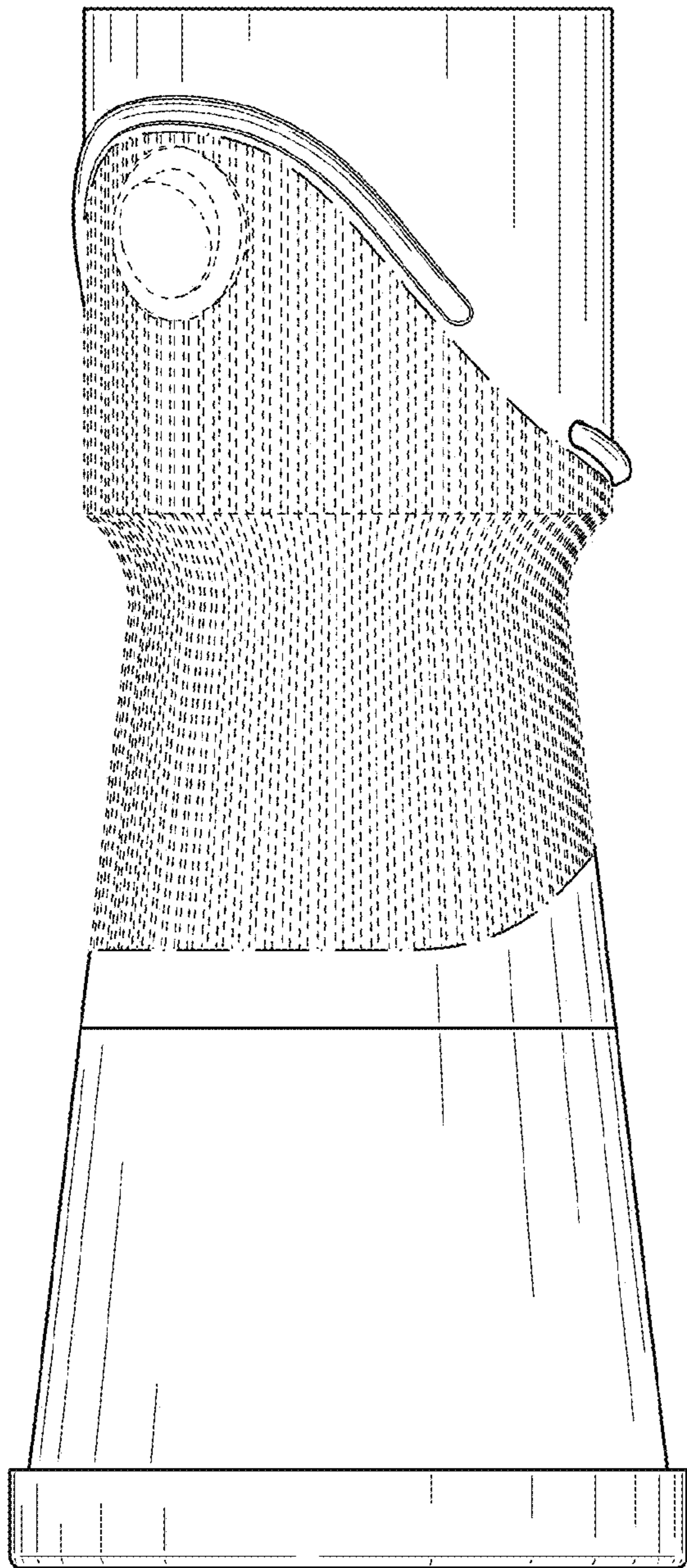


FIG. 11

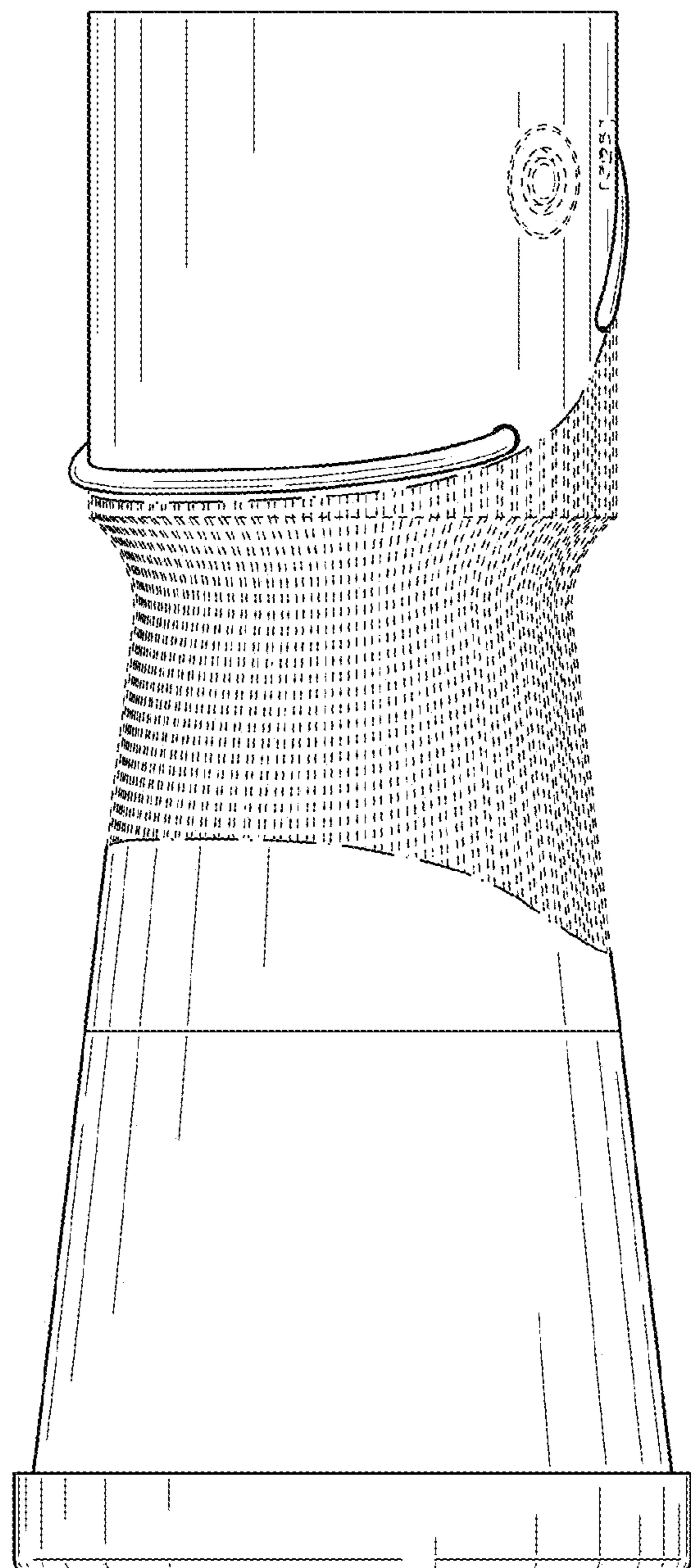


FIG. 12

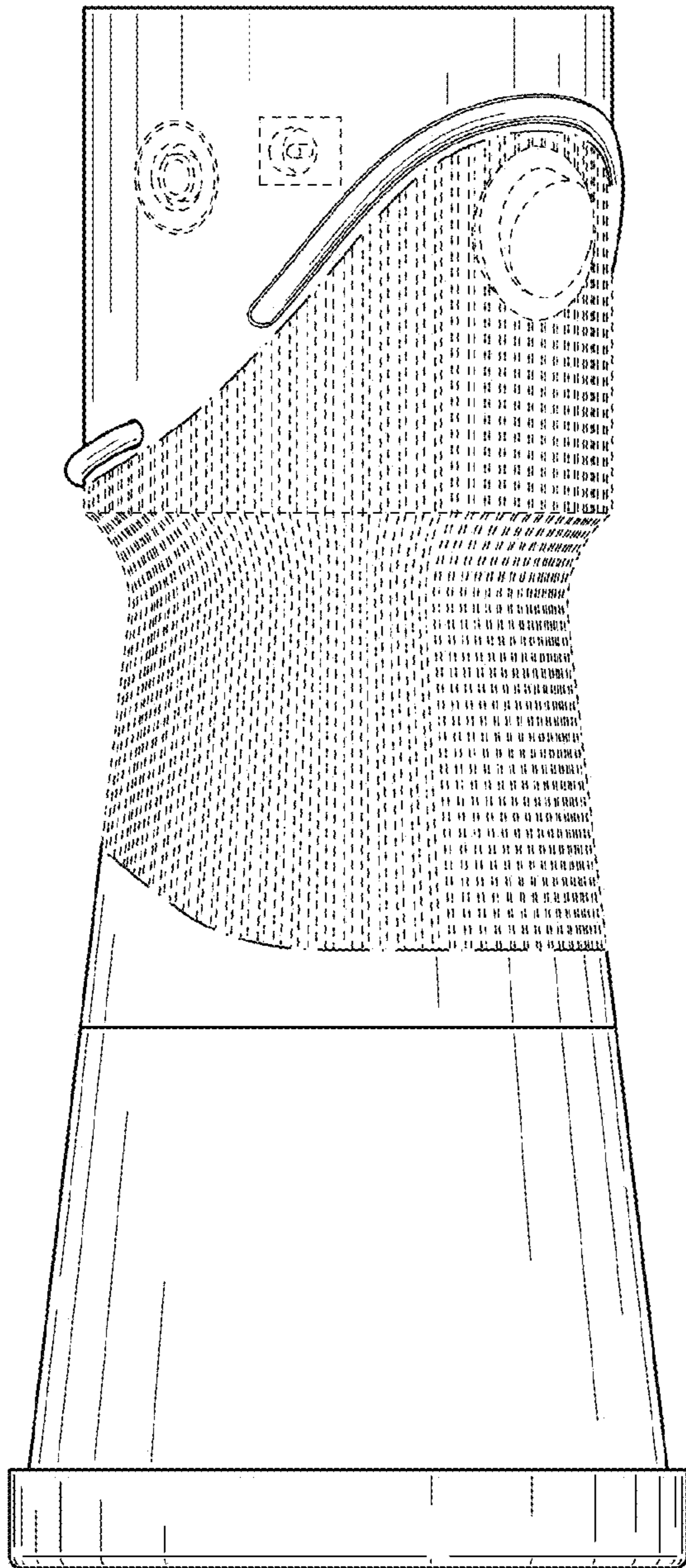


FIG. 13

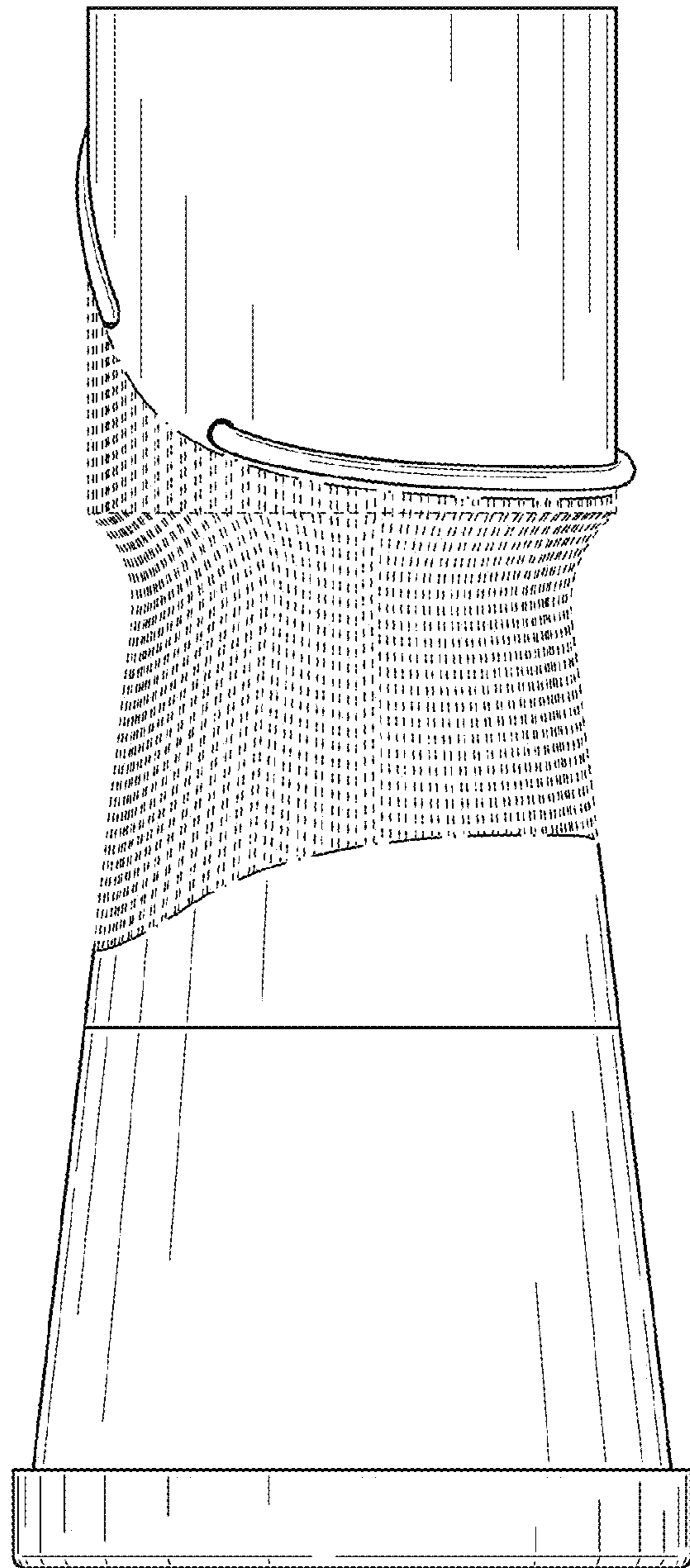


FIG. 14

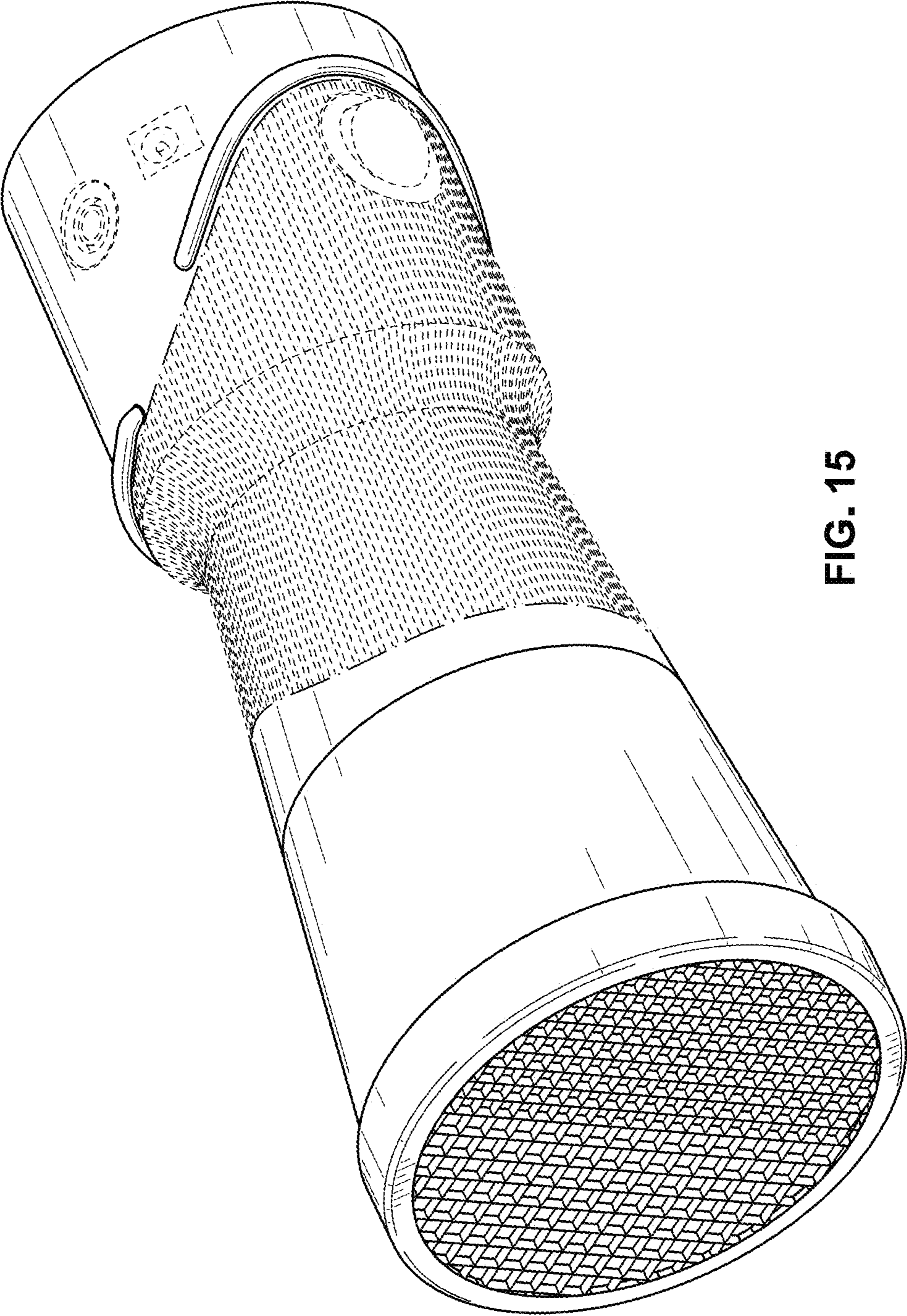


FIG. 15

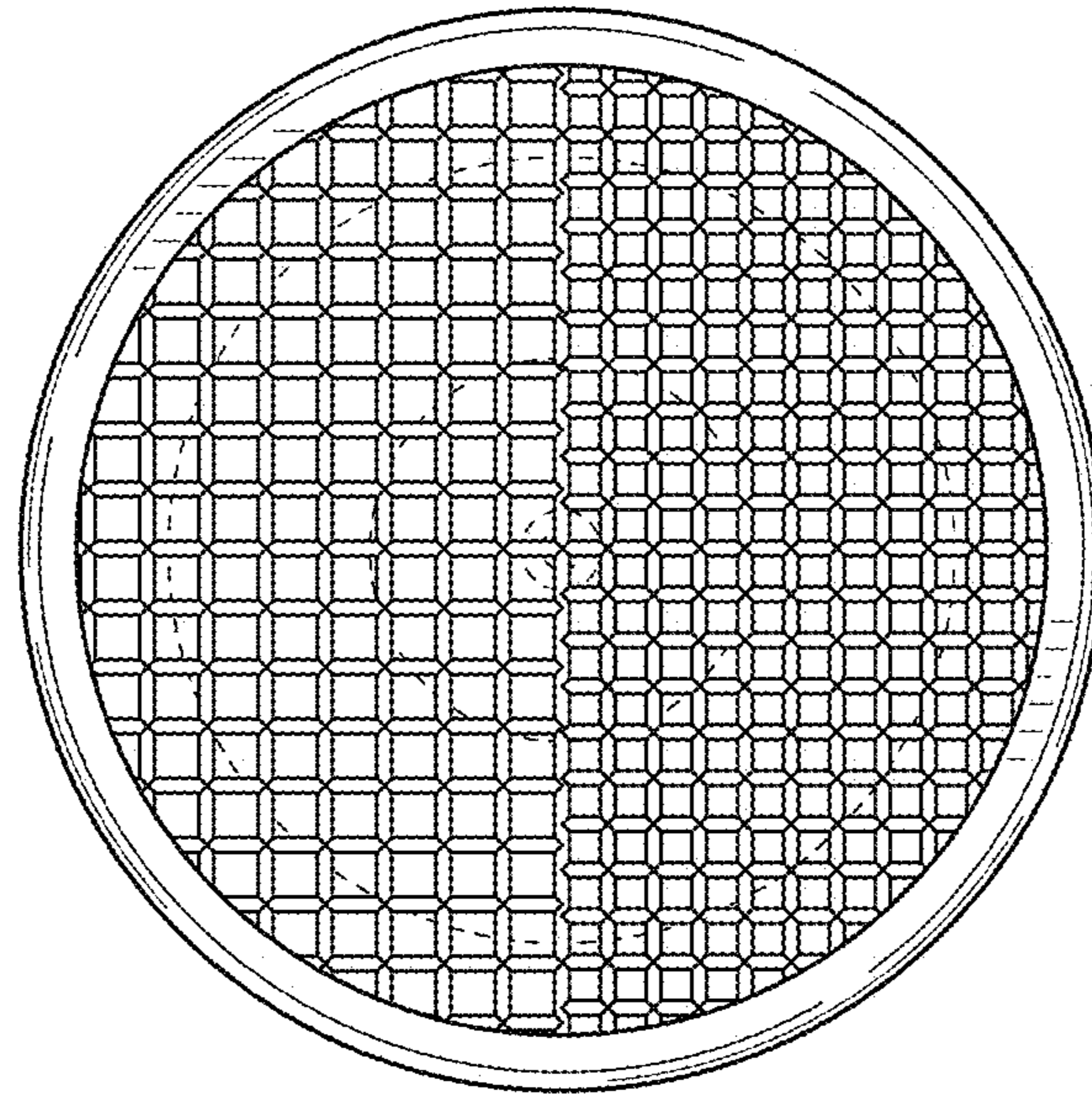


FIG. 16

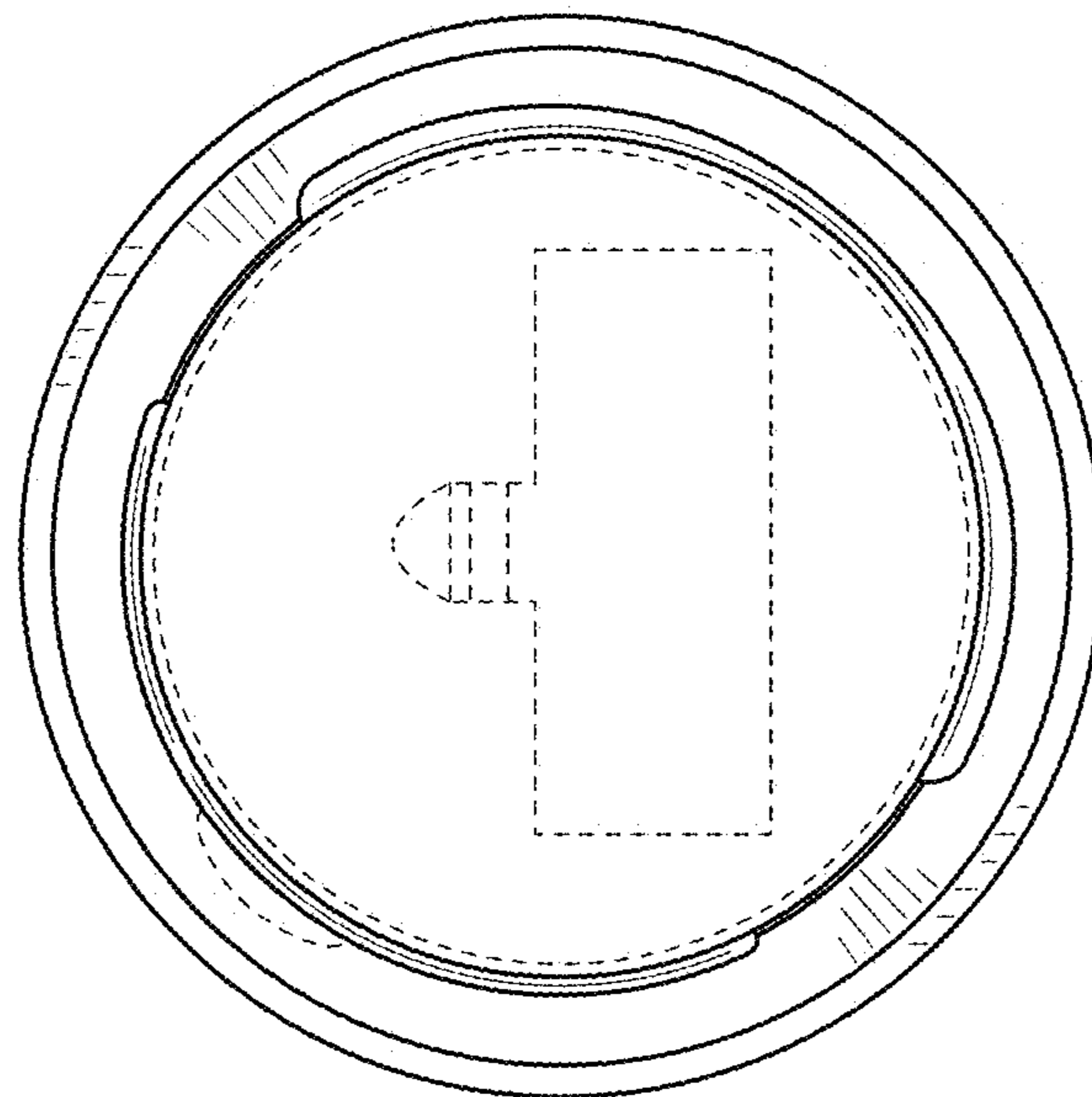


FIG. 17

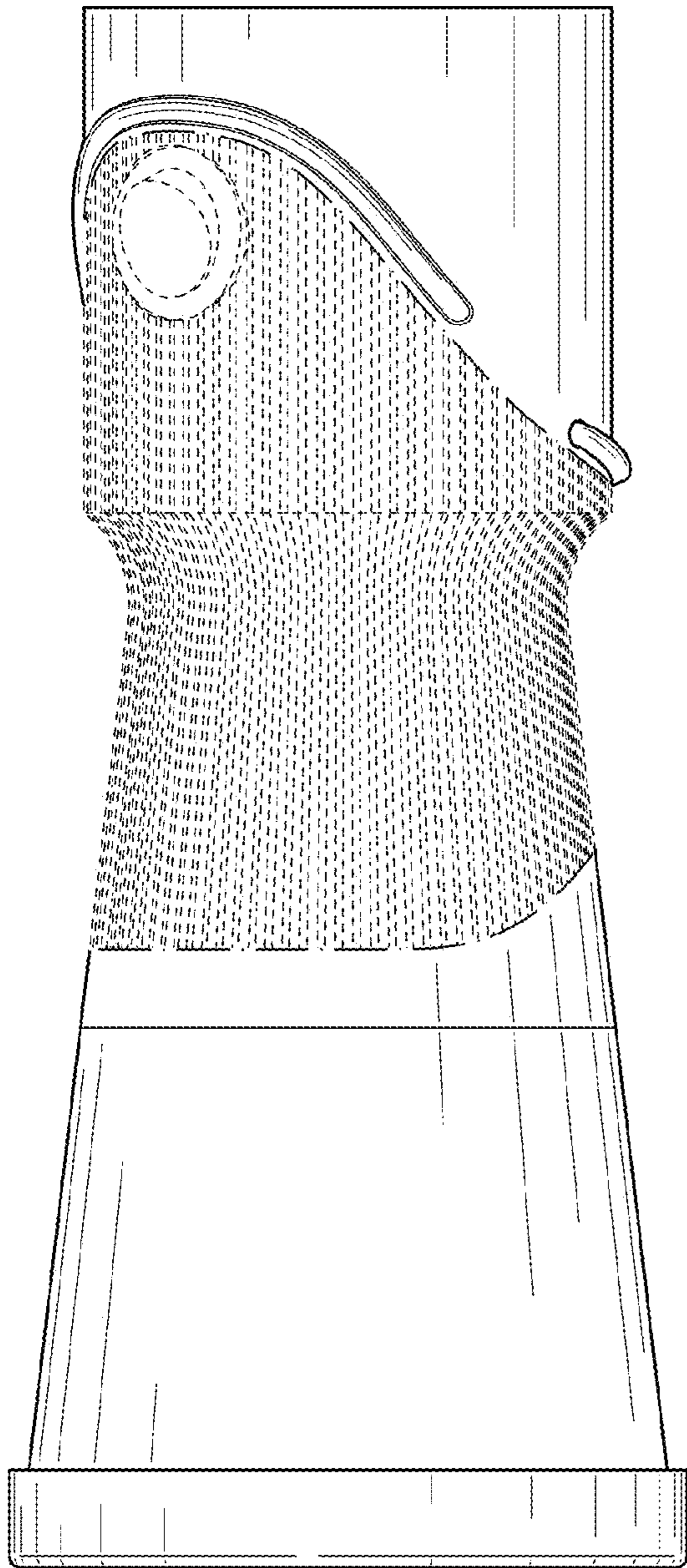


FIG. 18

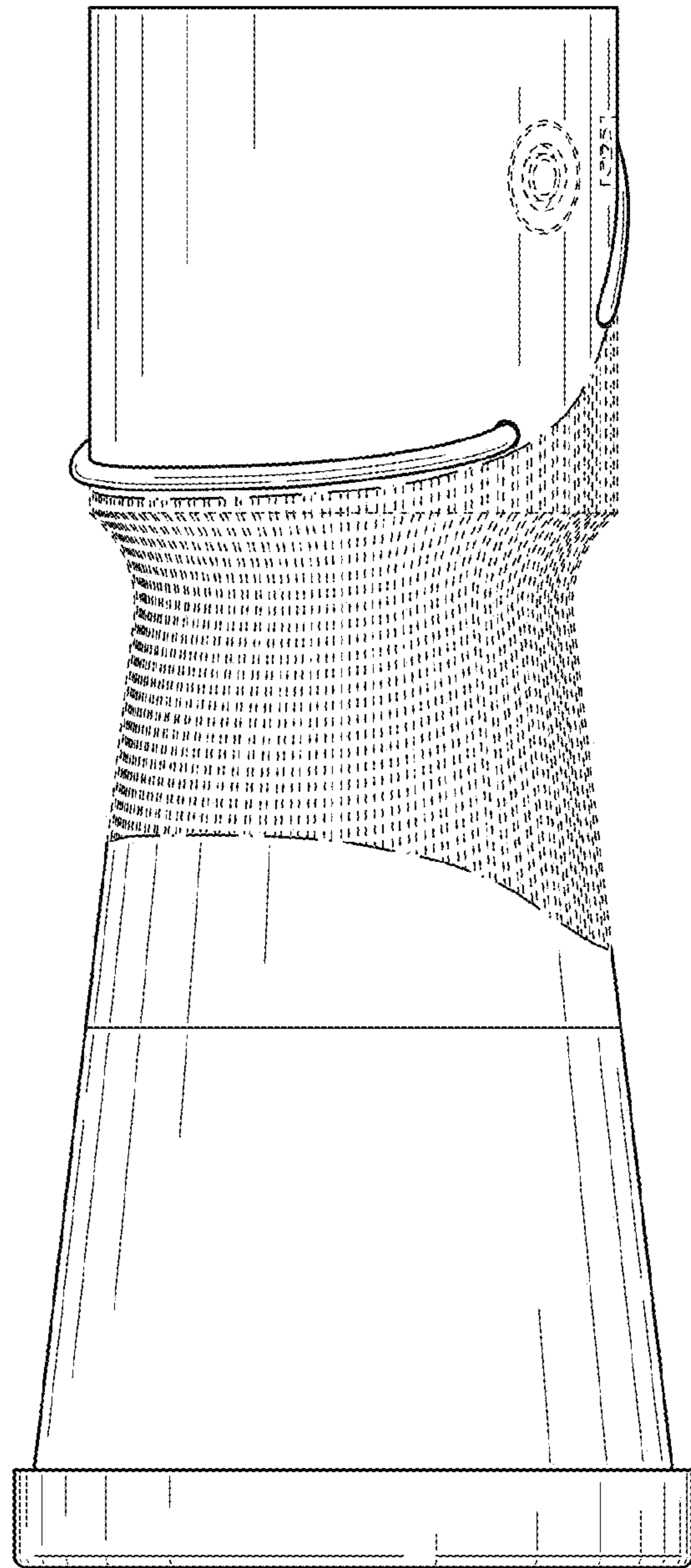


FIG. 19

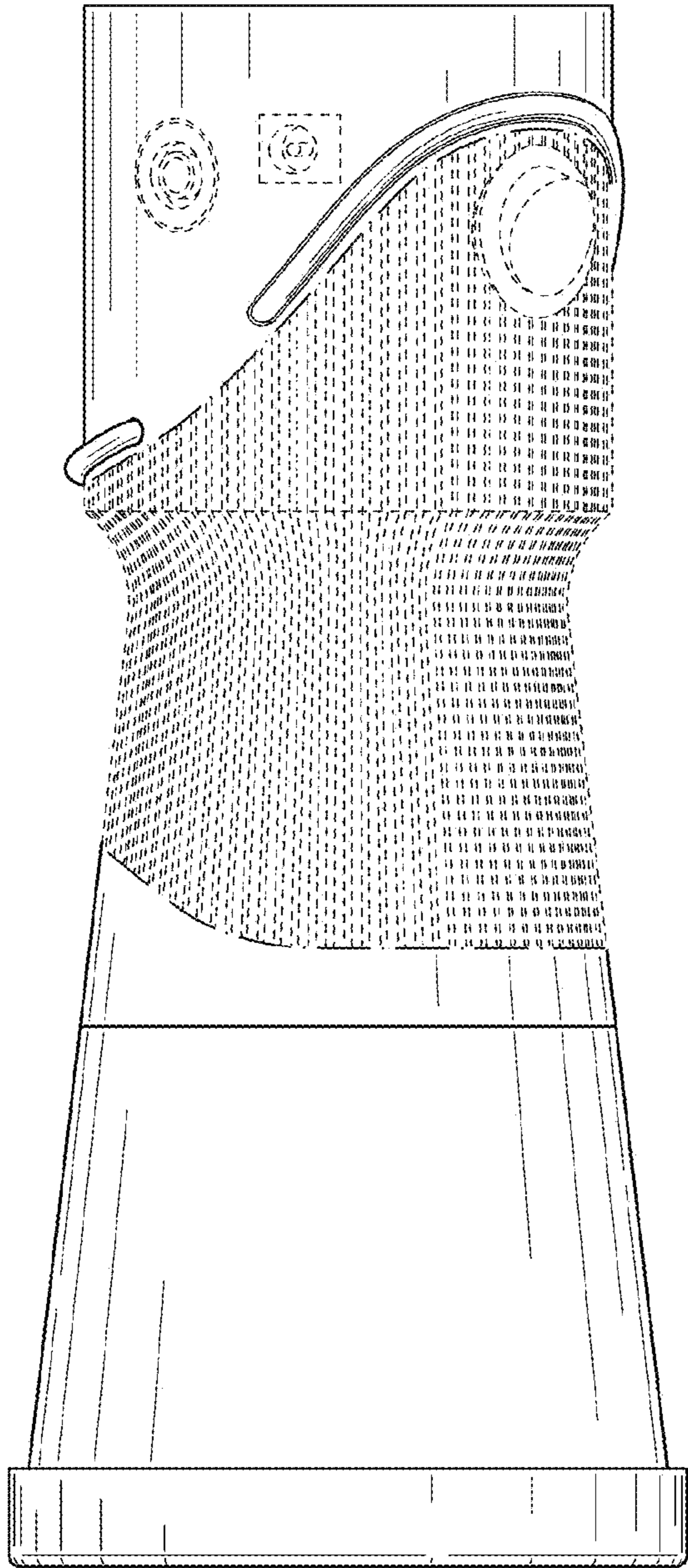


FIG. 20

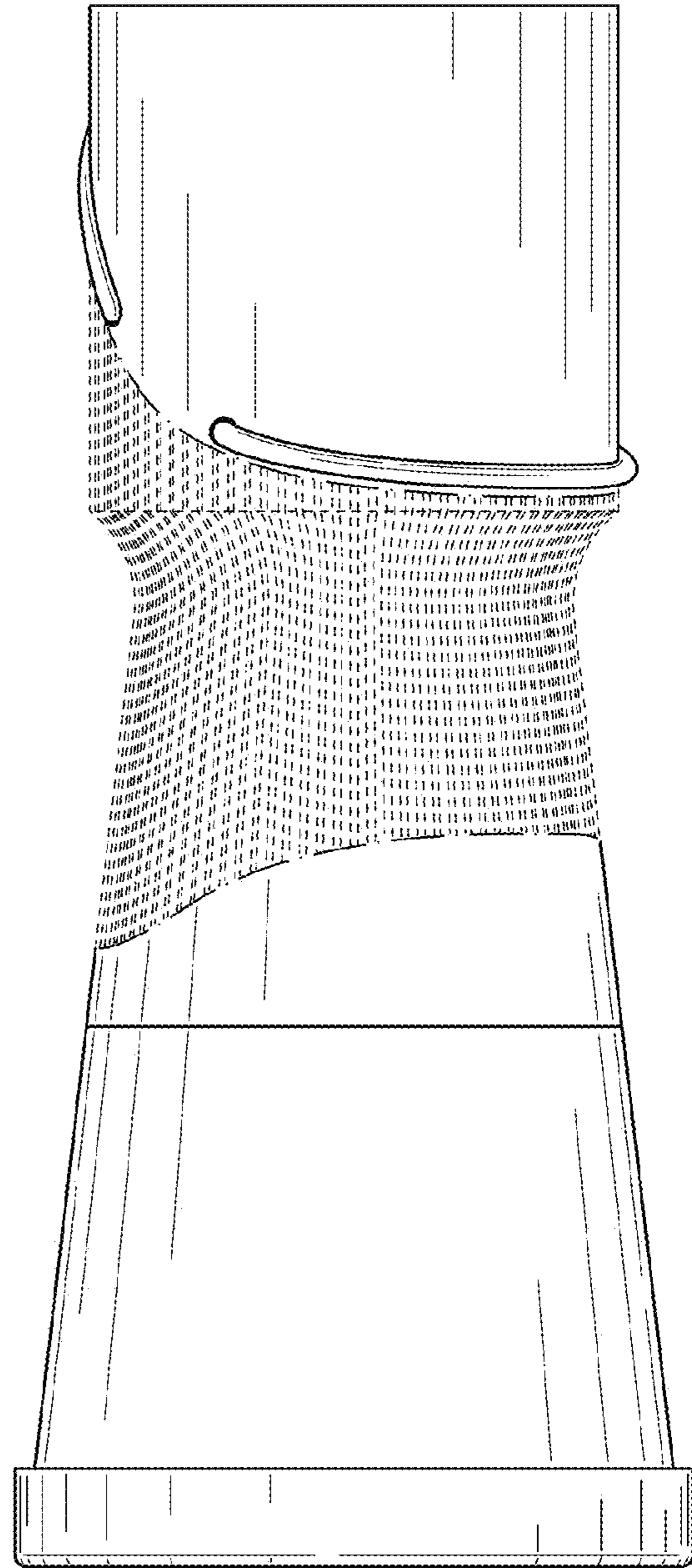


FIG. 21