



US00D932318S

(12) **United States Design Patent** (10) **Patent No.:** **US D932,318 S**  
**Chen** (45) **Date of Patent:** **\*\* Oct. 5, 2021**

(54) **BOTTLE SLEEVE** 23/0266; A47B 55/00; A47B 55/02; A47B 73/00; A47B 73/006; A47B 73/008; A47B 69/00  
(71) Applicant: **ORIENTAL PANDA PTY LTD.,** See application file for complete search history.  
Melbourne (AU)

(72) Inventor: **Dong Chen,** Melbourne (AU)

(73) Assignee: **ORIENTAL PANDA PTY LTD.,**  
Melbourne (AU)

(\*\*) Term: **15 Years**

(21) Appl. No.: **29/765,124**

(22) Filed: **Jan. 6, 2021**

(51) **LOC (13) Cl.** ..... **09-05**

(52) **U.S. Cl.**  
USPC ..... **D9/711**

(58) **Field of Classification Search**  
USPC ..... D9/702-714, 695-699, 435, 440, 521, D9/454, 544, 723-724, 499, 449, D9/727-728, 442, 447, 504; 222/92, 96, 222/107, 527-529, 215, 491, 206, 222/212-213, 251, 95, 536; 206/438, 206/822, 527; 220/DIG. 7, 669; 215/321, 382, 316, 380; 141/114-115; D28/91.1, 76-78, 82, 88; D24/114; D3/202, 205, 203.2, 270, 271.1-271.4; D7/510, 514-520, 599, 601-602, D7/612-615, 619.2, 628-629  
CPC ... F25D 3/08; F25D 3/02; A45C 11/20; A45F 3/18; B65D 1/0223; B65D 1/02; B65D 1/10; B65D 1/46; B65D 23/00; B65D 2585/00; B65D 2585/08; B65D 81/60; B65D 81/365; B65D 81/366; B65D 81/368; B65D 81/18; B65D 81/3876; B65D 81/3886; A47G 23/0241; A47G

(56) **References Cited**

U.S. PATENT DOCUMENTS

D343,094 S *	1/1994	Varney	.....	D7/622
D785,807 S	5/2017	Saadia		
D830,786 S	10/2018	Miller		
D853,798 S *	7/2019	Park	.....	D7/622
D885,148 S *	5/2020	Wang	.....	D7/701
D923,427 S *	6/2021	Malinky	.....	D7/624.2

\* cited by examiner

*Primary Examiner* — Abraham Bahta

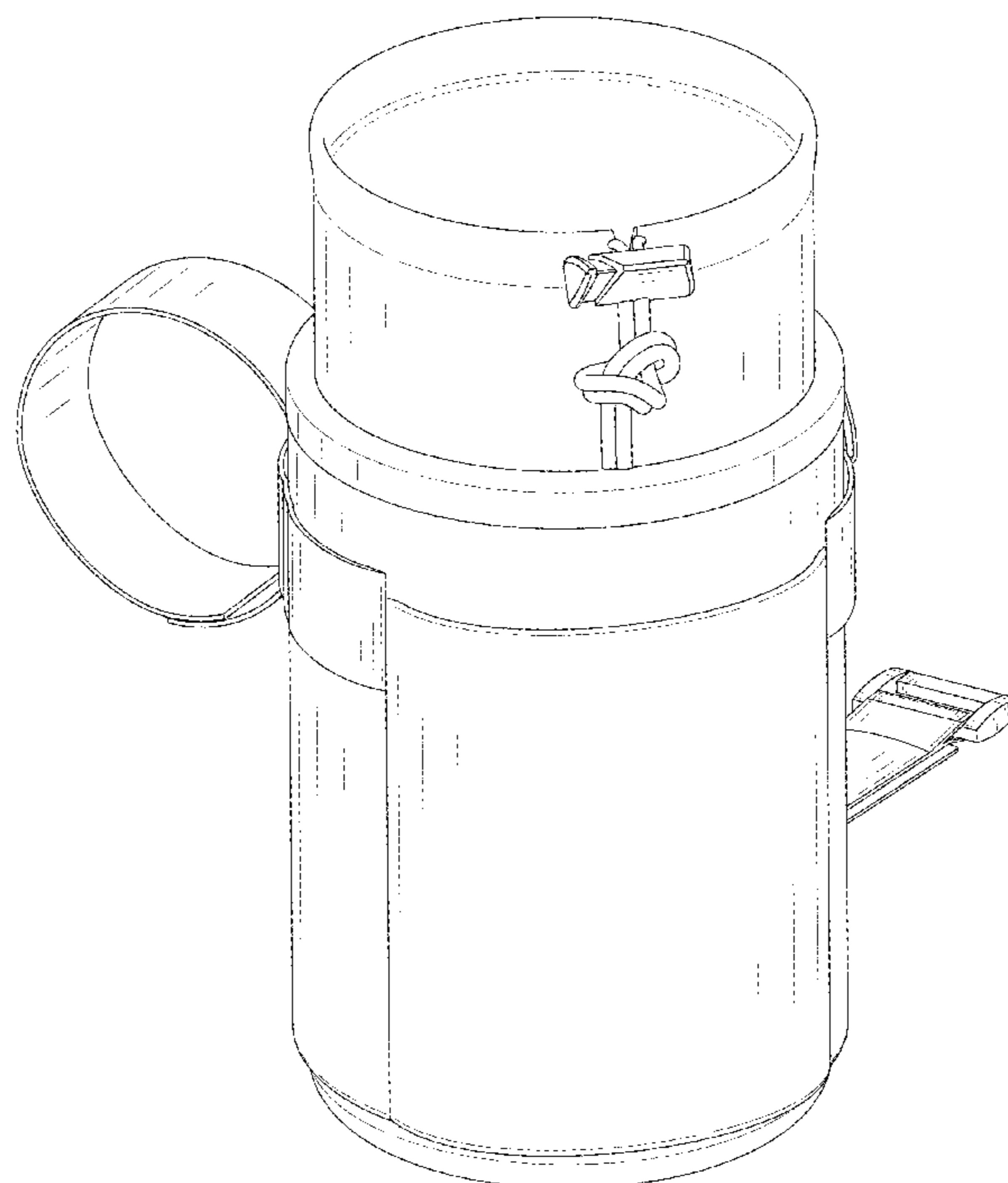
(57) **CLAIM**

The ornamental design for a bottle sleeve, as shown and described.

**DESCRIPTION**

FIG. 1 is a perspective view of a bottle sleeve showing my new design;  
FIG. 2 is another perspective view thereof;  
FIG. 3 is a front elevational view thereof;  
FIG. 4 is a rear elevational view thereof;  
FIG. 5 is a left side elevational view thereof;  
FIG. 6 is a right side elevational view thereof;  
FIG. 7 is a top plan view thereof; and,  
FIG. 8 is a bottom plan view thereof.  
The broken lines in the drawings depict portions of the bottle sleeve that form no part of the claimed design.

**1 Claim, 8 Drawing Sheets**



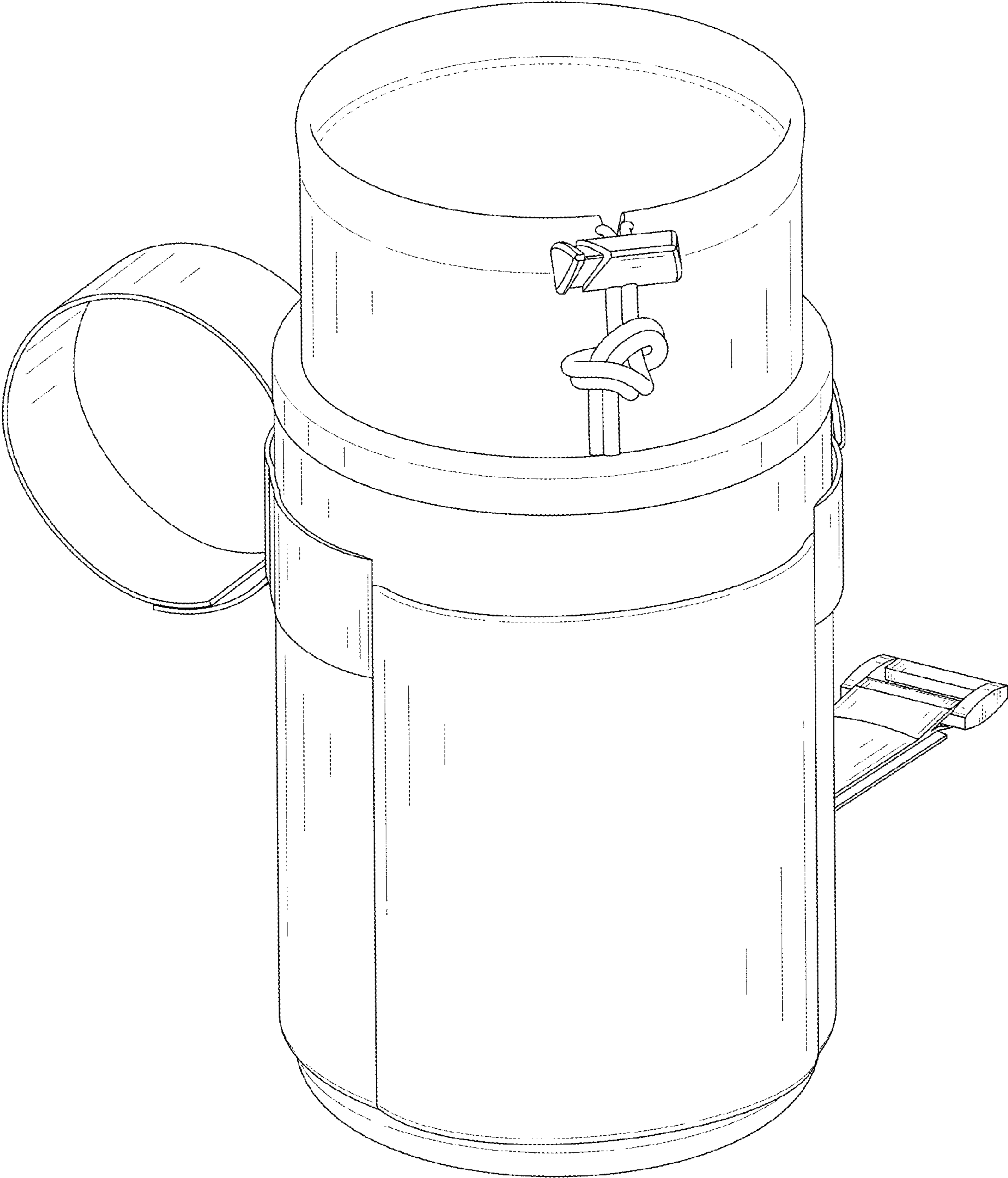


FIG. 1

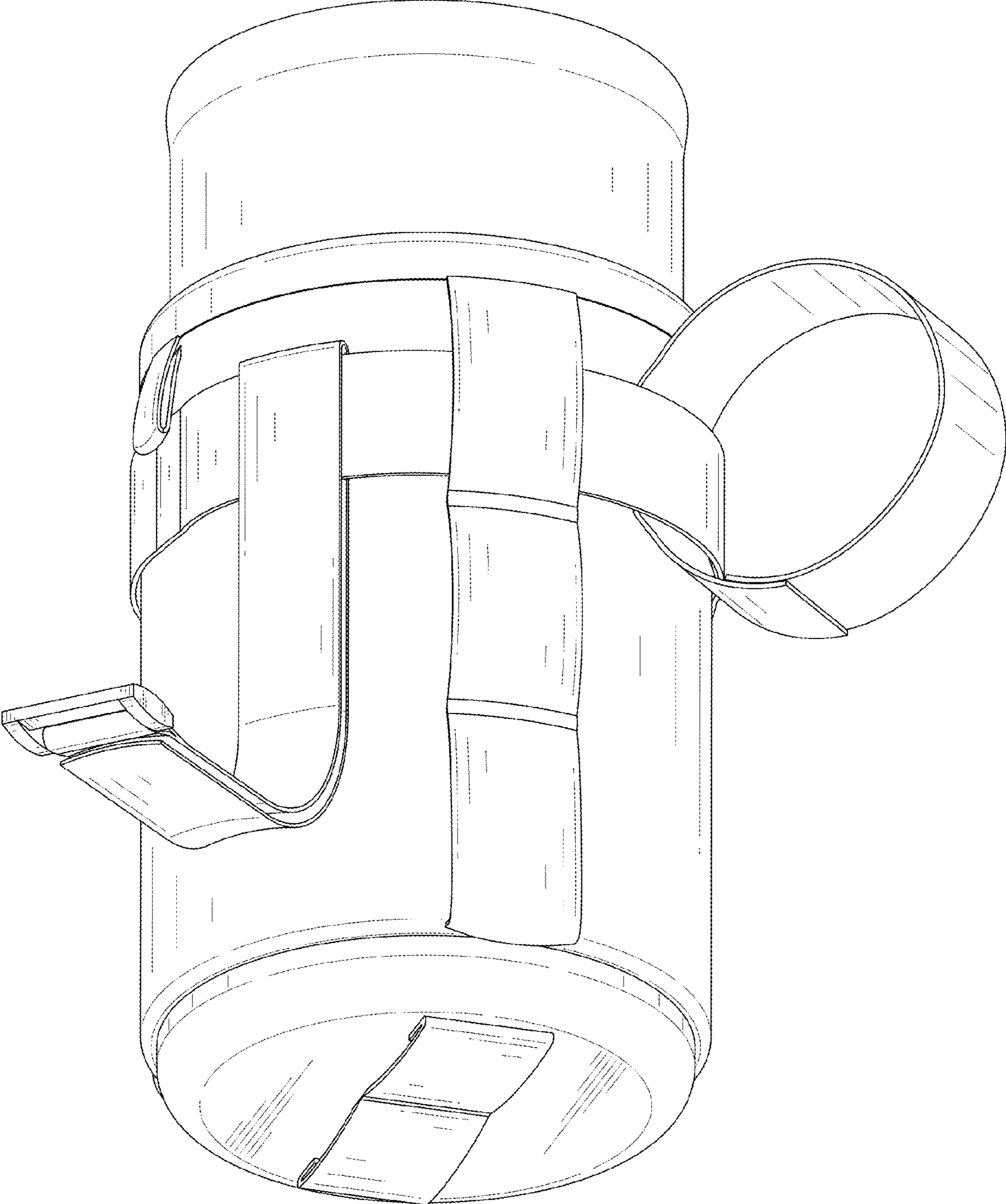


FIG. 2

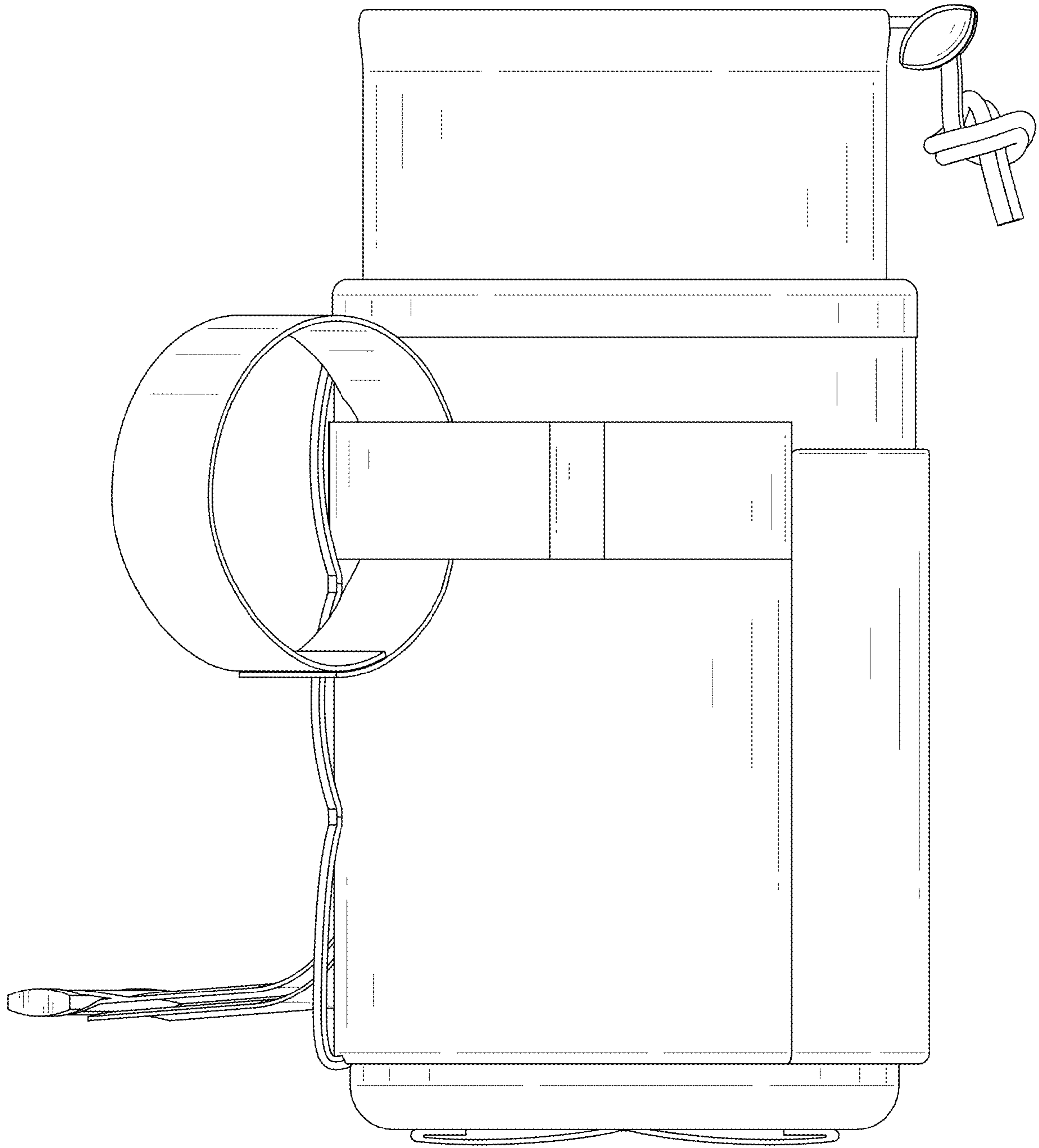


FIG. 3

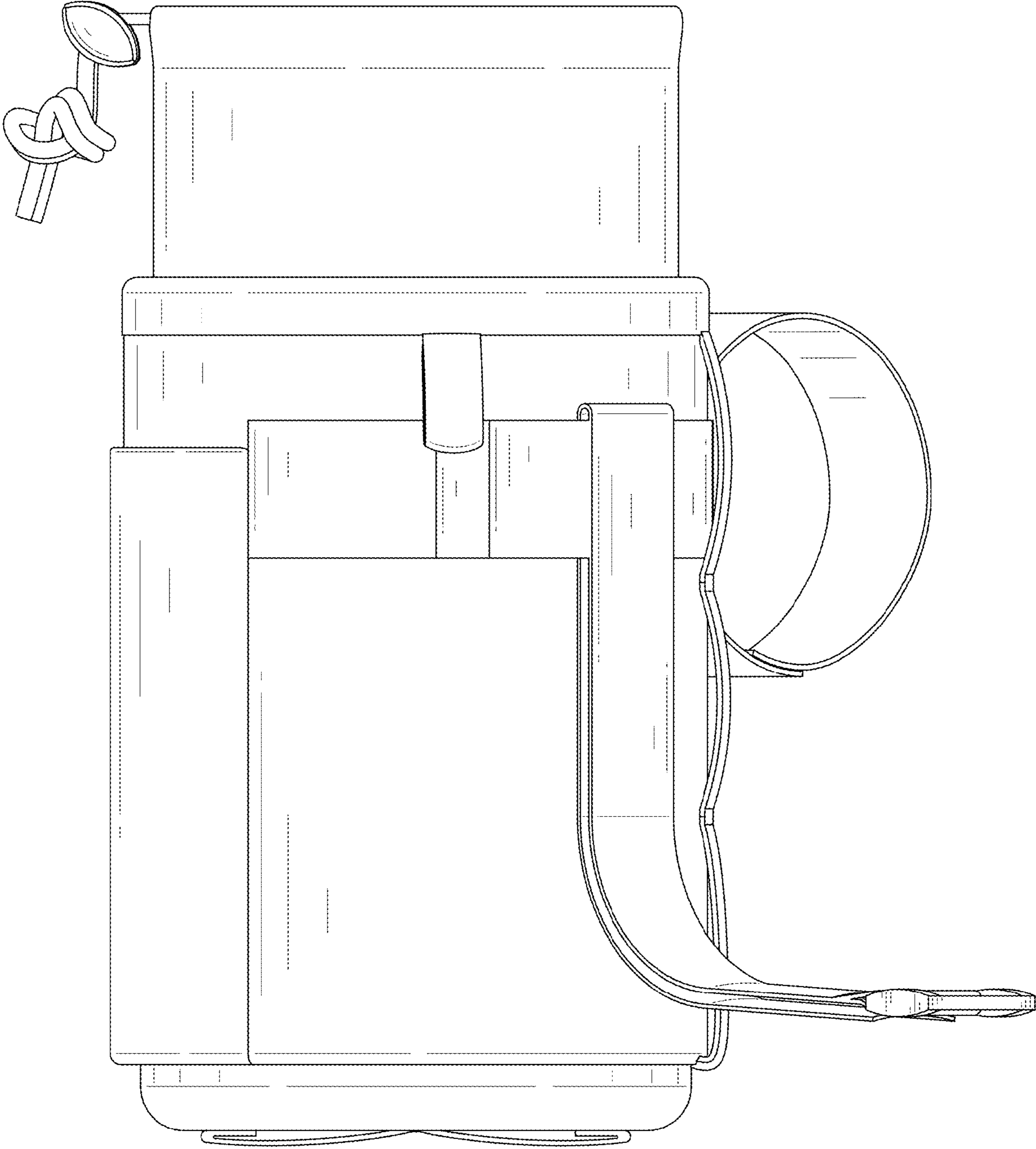


FIG. 4



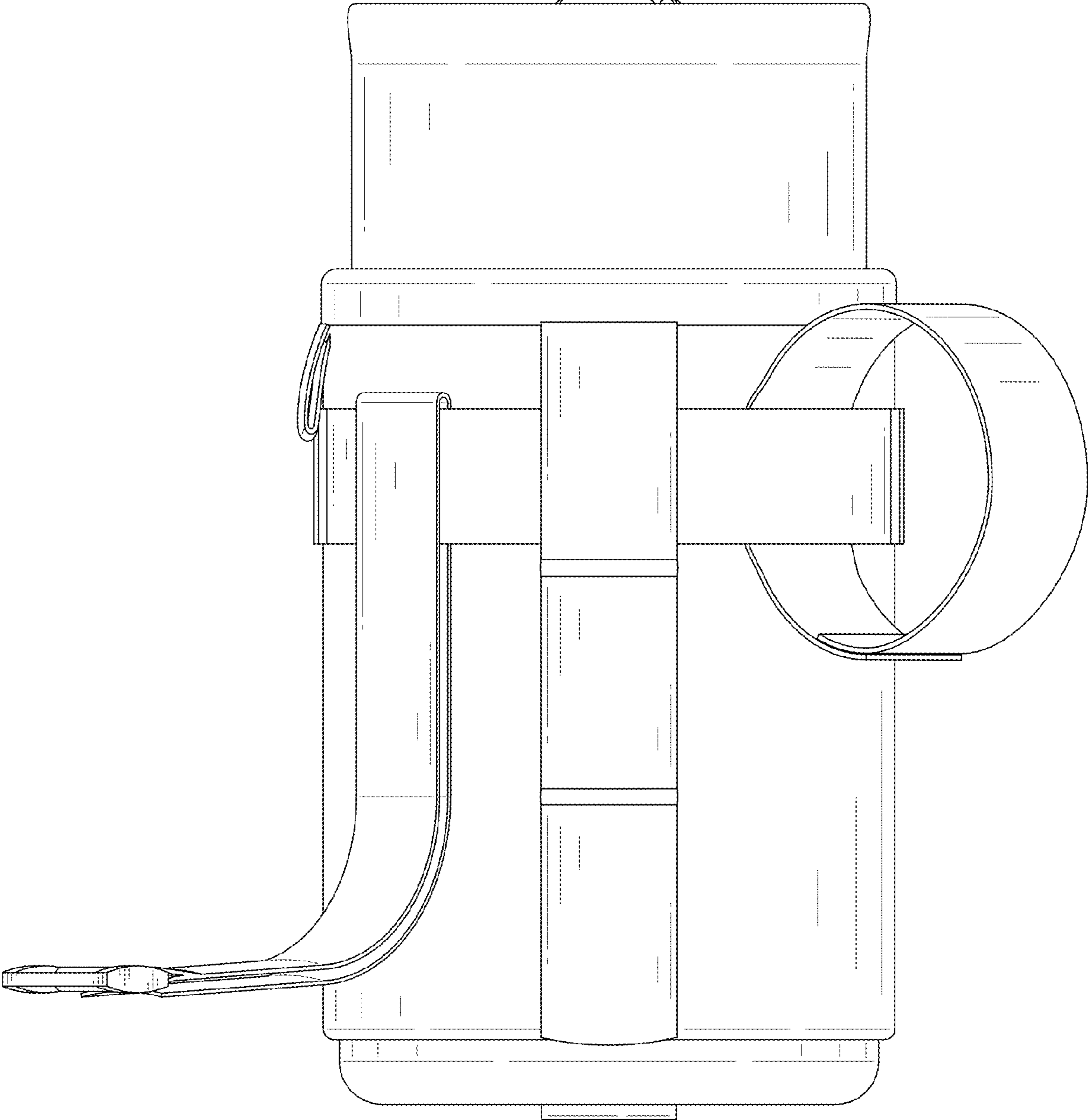


FIG. 5

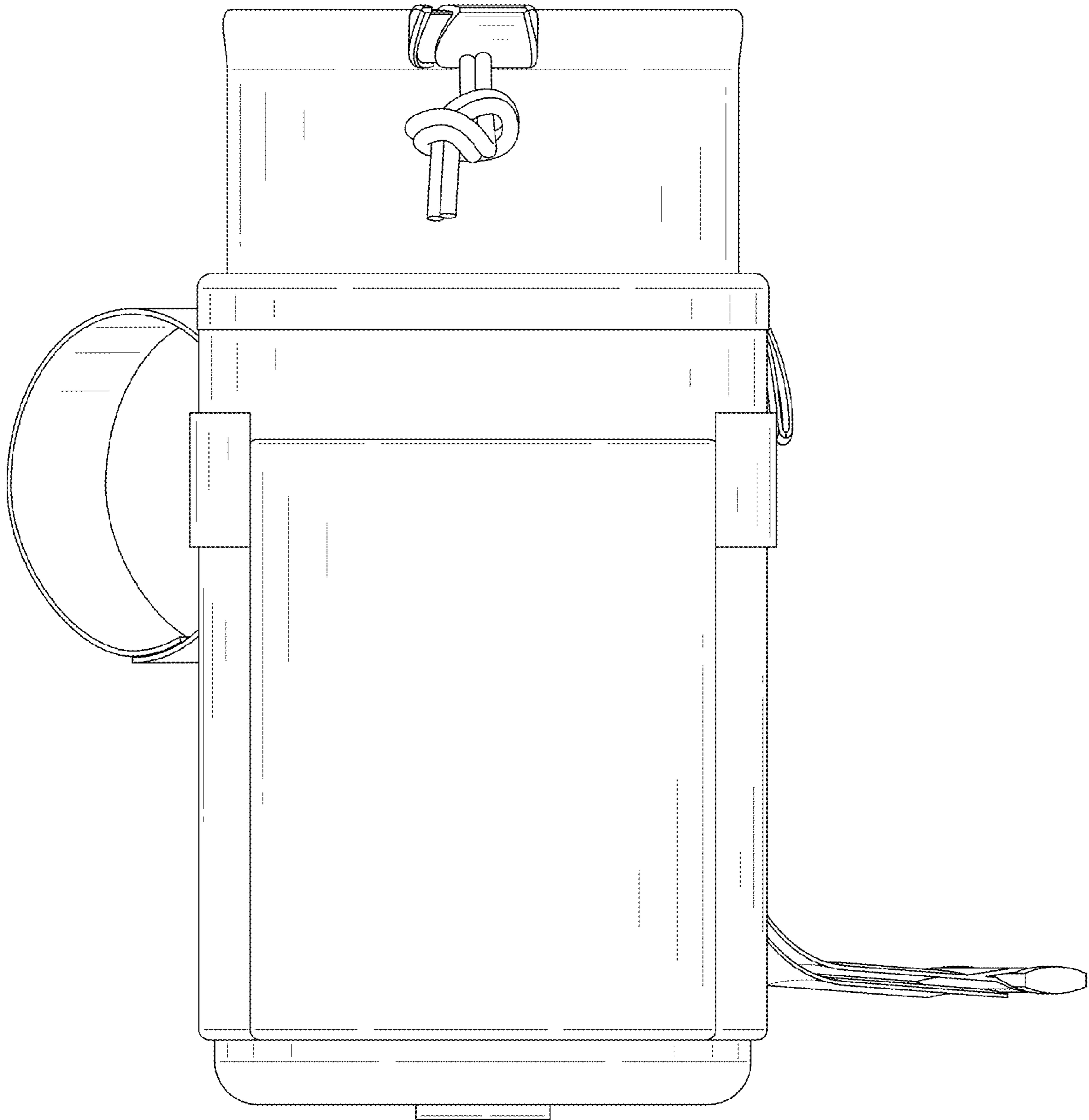


FIG. 6

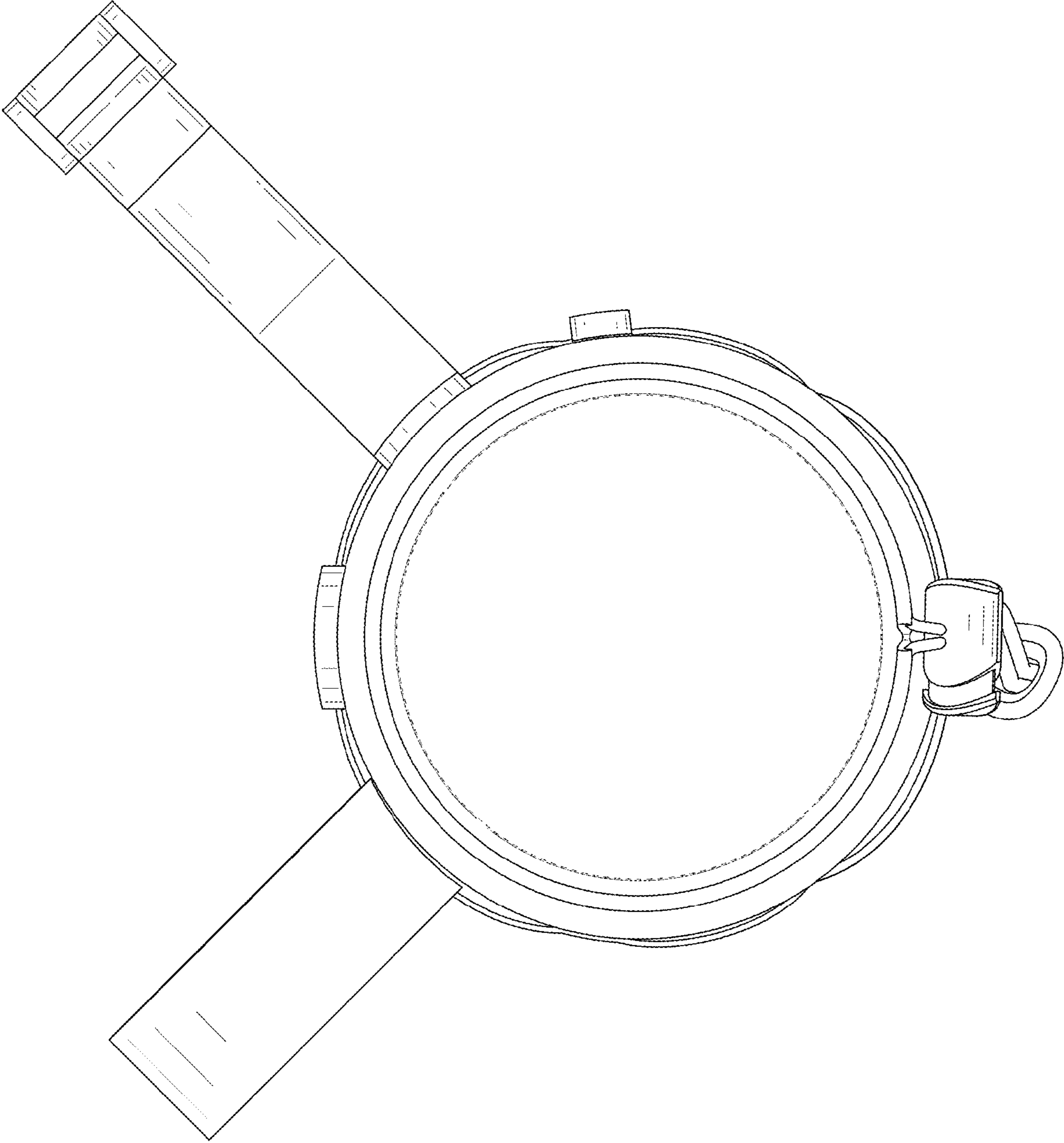


FIG. 7



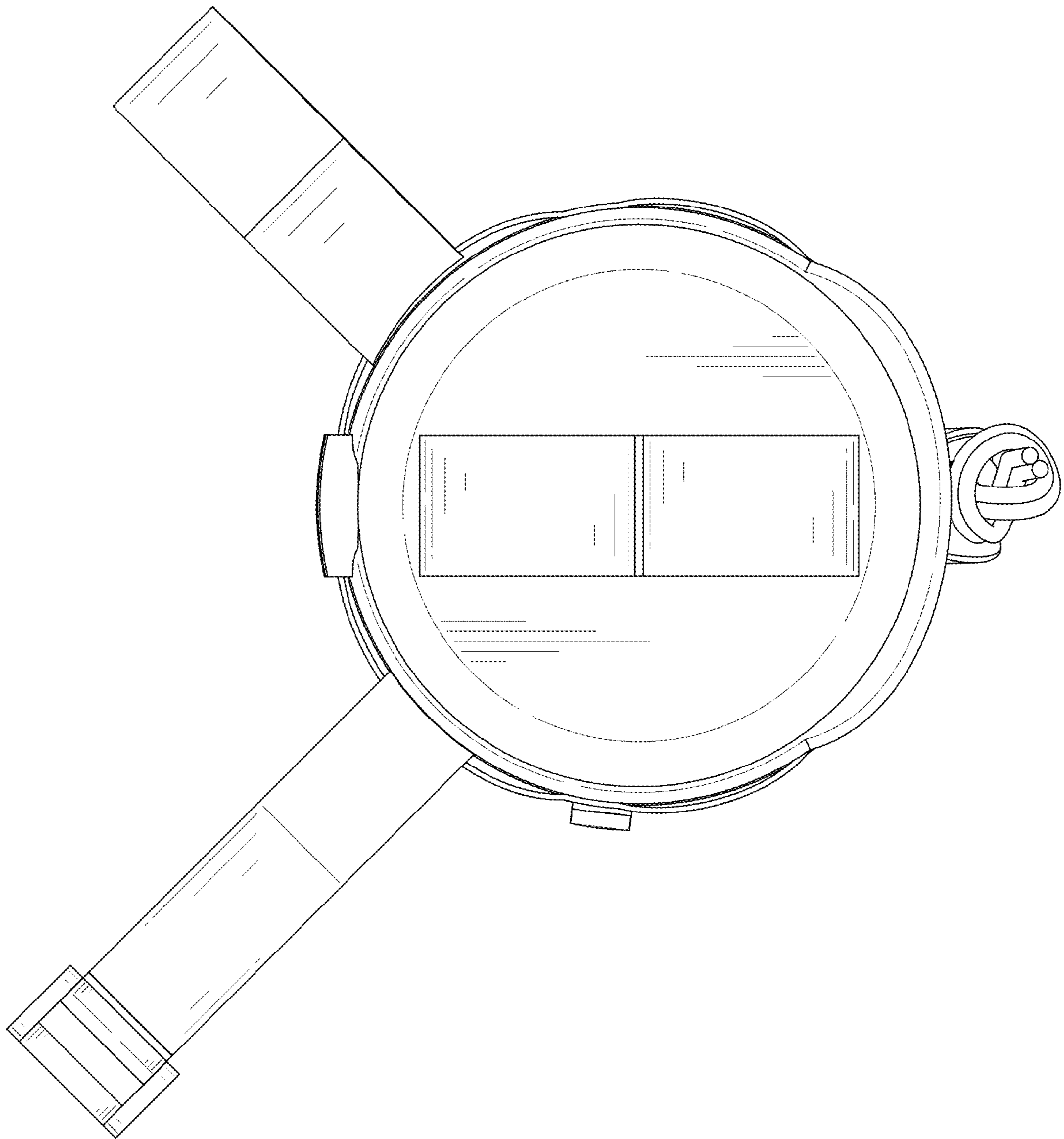


FIG. 8