



US00D932312S

(12) **United States Design Patent** (10) **Patent No.:** **US D932,312 S**  
**Giuli** (45) **Date of Patent:** **\*\* Oct. 5, 2021**

(54) **BOTTLE WITH CAP HOLDER**  
(71) Applicant: **CapStash, LLC**, Walnut Creek, CA  
(US)  
(72) Inventor: **Alexander Giuli**, Walnut Creek, CA  
(US)  
(\*\*) Term: **15 Years**  
(21) Appl. No.: **29/665,585**

D389,412 S 1/1998 Klima, Jr. .... D9/523  
D396,641 S 8/1998 Klima, Jr. .... D9/523  
D399,751 S 10/1998 Klima, Jr. .... D9/524  
5,897,010 A \* 4/1999 Soyka, Jr. .... B65D 21/0237  
215/390  
D411,748 S 6/1999 Klima, Jr. .... D9/524  
6,131,755 A \* 10/2000 Soyka, Jr. .... B65D 21/0237  
215/382  
D456,075 S 4/2002 Clements ..... D9/524  
D542,139 S 5/2007 Welter ..... D9/520  
D584,958 S \* 1/2009 Schiesser ..... D9/503  
(Continued)

(22) Filed: **Oct. 4, 2018**  
(51) **LOC (13) Cl.** ..... **09-01**  
(52) **U.S. Cl.**  
USPC ..... **D9/558**; D9/520  
(58) **Field of Classification Search**  
USPC ..... D9/434-435, 454, 500, 503-504, 516,  
D9/520, 524, 549, 558, 715, 719;  
D23/205, 211.1; D24/197, 199  
CPC ..... B65D 1/00; B65D 1/02; B65D 1/0223;  
B65D 1/0261; B65D 1/0284; B65D 1/06;  
B65D 23/00; B65D 23/12; B65D  
2501/00; B65D 2501/0009  
See application file for complete search history.

FOREIGN PATENT DOCUMENTS

CN 201240577 Y 5/2009  
*Primary Examiner* — Dana Meyrow  
(74) *Attorney, Agent, or Firm* — Adibi IP Group, PC;  
Amir V. Adibi; Andrew C. Palmer

(57) **CLAIM**

The ornamental design for a bottle with cap holder, as shown and described.

**DESCRIPTION**

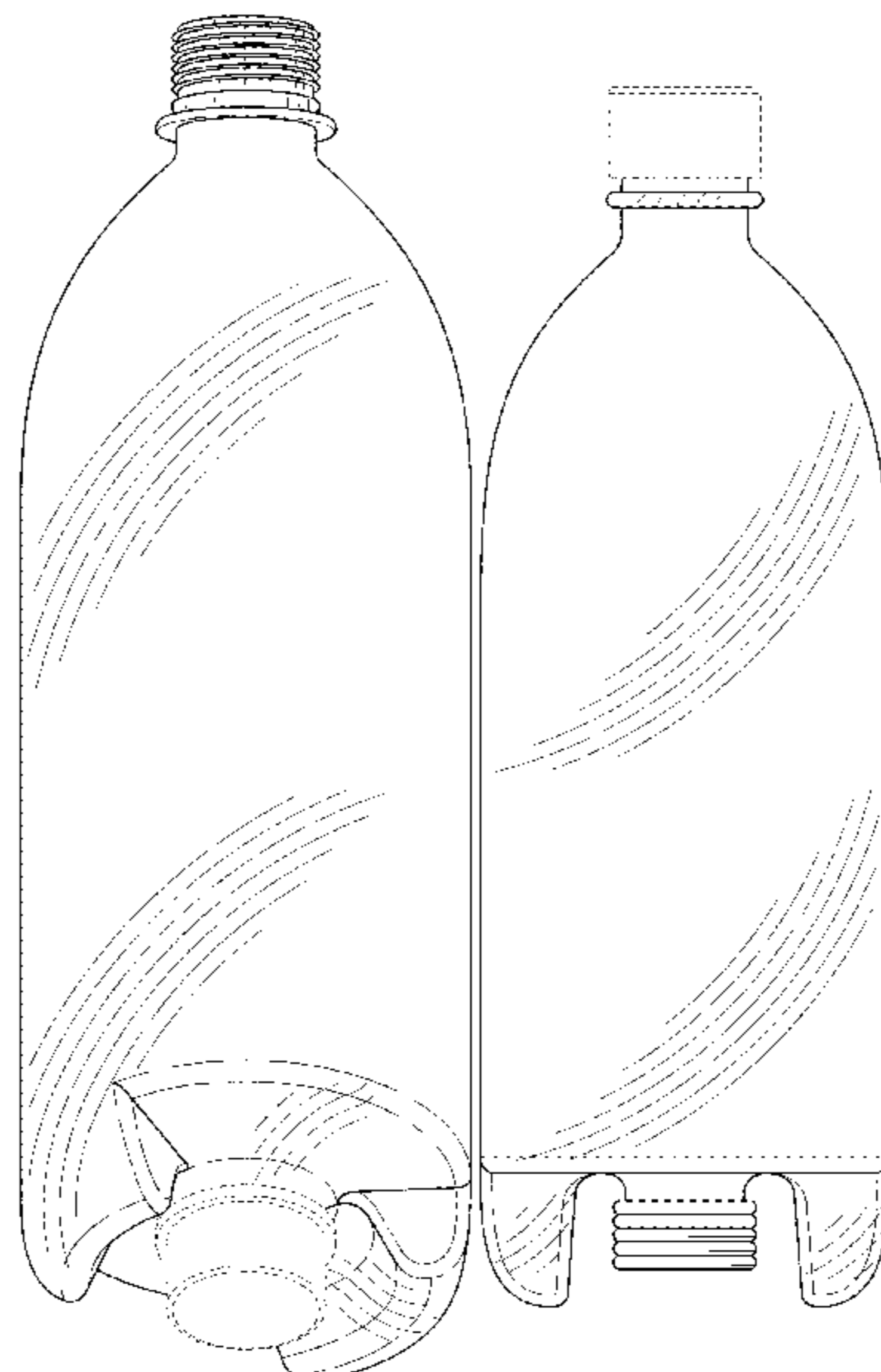
FIG. 1 is a bottom perspective view of a bottle with cap holder showing my new design, shown with the cap applied to the holder;  
FIG. 2 is a bottom perspective view thereof, with the bottle shown in the closed position;  
FIG. 3 is a left side elevation view of the configuration shown in FIG. 1;  
FIG. 4 is a right side elevation view thereof;  
FIG. 5 is a front elevation view thereof;  
FIG. 6 is a rear elevation view thereof;  
FIG. 7 is a top plan view thereof; and,  
FIG. 8 is a bottom plan view thereof.  
The broken lines in the drawings illustrate the portions of the bottle with cap holder that form no part of the claimed design.

(56) **References Cited**

U.S. PATENT DOCUMENTS

1,451,822 A \* 4/1923 Hagerty ..... A61J 9/00  
215/11.1  
1,759,866 A 5/1930 Rabb  
2,738,091 A 3/1956 Mattox  
3,537,606 A 11/1970 Soloway  
D263,930 S 4/1982 Pardo ..... D9/524  
D306,639 S \* 3/1990 Wills ..... D23/205  
5,211,299 A \* 5/1993 Manfredonia ..... A61J 9/00  
206/515  
5,244,106 A \* 9/1993 Takacs ..... B65D 23/12  
215/12.1  
D348,315 S 6/1994 Hanifl ..... D24/117  
5,467,877 A 11/1995 Smith  
D367,815 S 3/1996 Mason, Jr. .... D9/524

**1 Claim, 4 Drawing Sheets**



(56)

**References Cited**

U.S. PATENT DOCUMENTS

D597,408 S	8/2009	Chang .....	D9/524
7,870,968 B2	1/2011	Hanson .....	B65D 23/12
			215/306
D643,292 S	8/2011	Cordero .....	D9/516
8,544,664 B2	10/2013	Dejonge	
D746,942 S *	1/2016	Koppert .....	D23/202
10,688,513 B2 *	6/2020	Biyani .....	B05B 11/0037
D908,008 S *	1/2021	Reisig .....	D9/500
2006/0010903 A1	1/2006	Porter	
2019/0092527 A1 *	3/2019	Giuli .....	B65D 55/16

\* cited by examiner

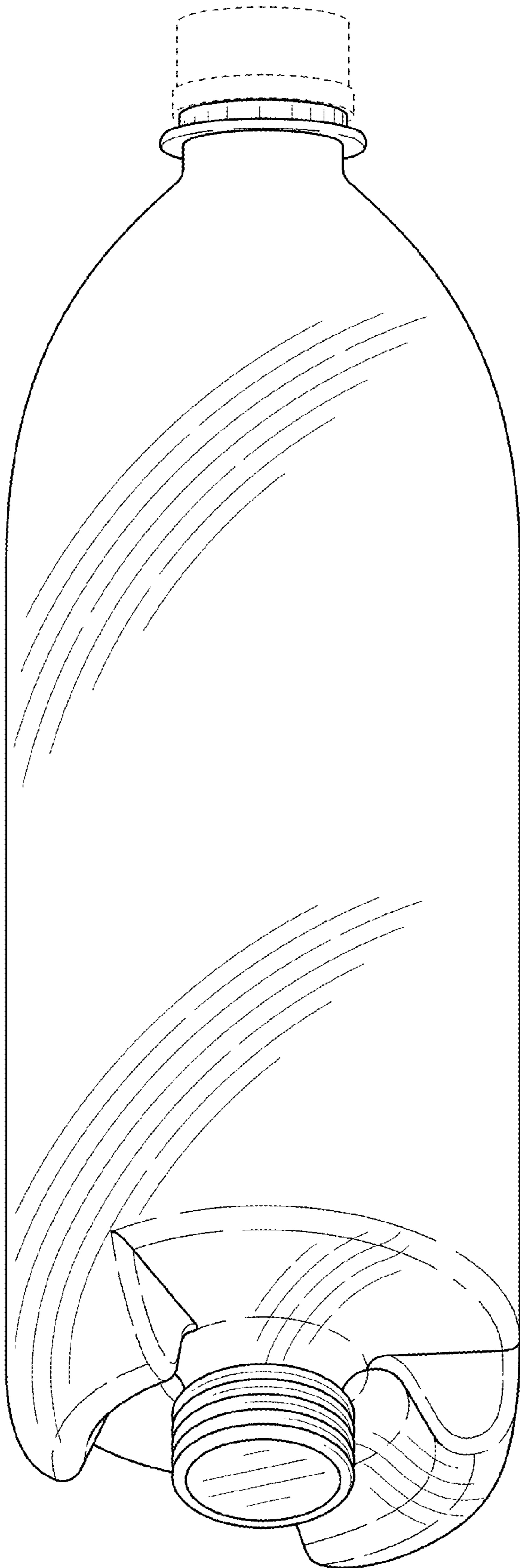


FIG. 1

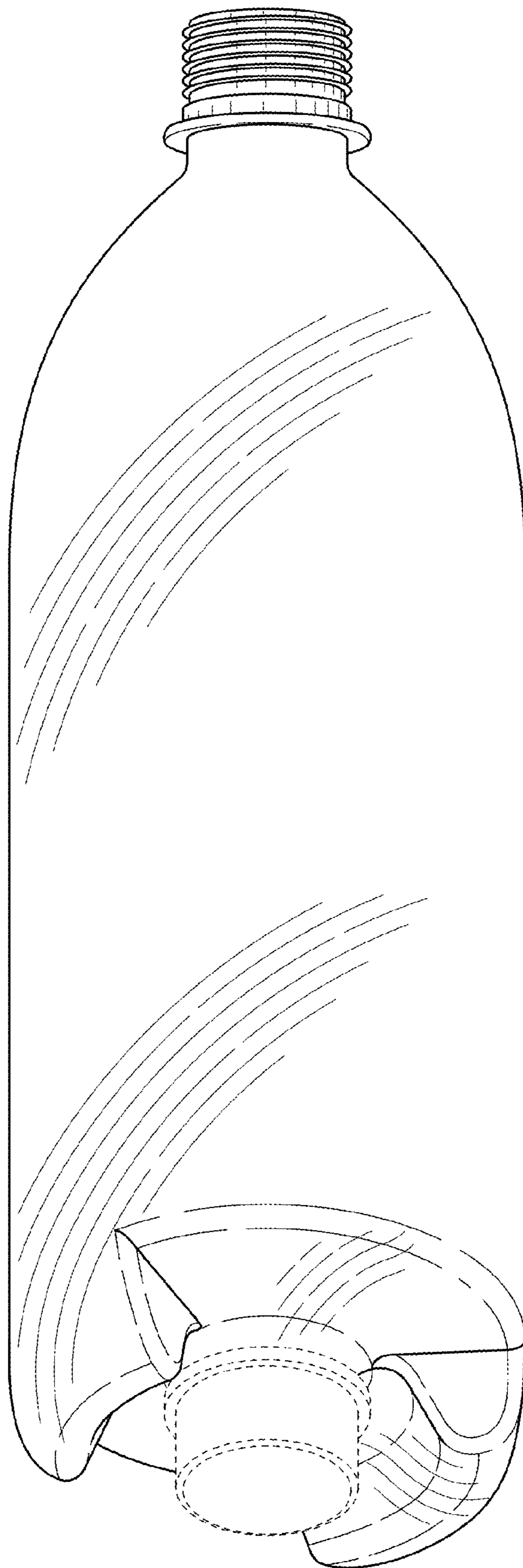


FIG. 2

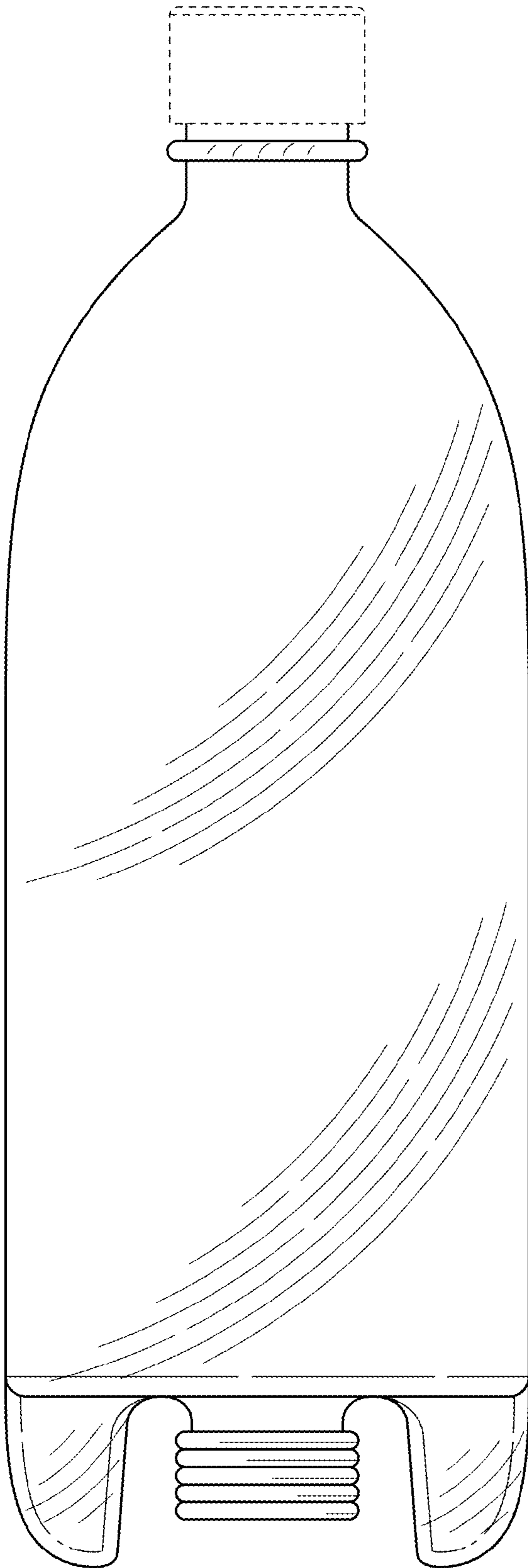


FIG. 3

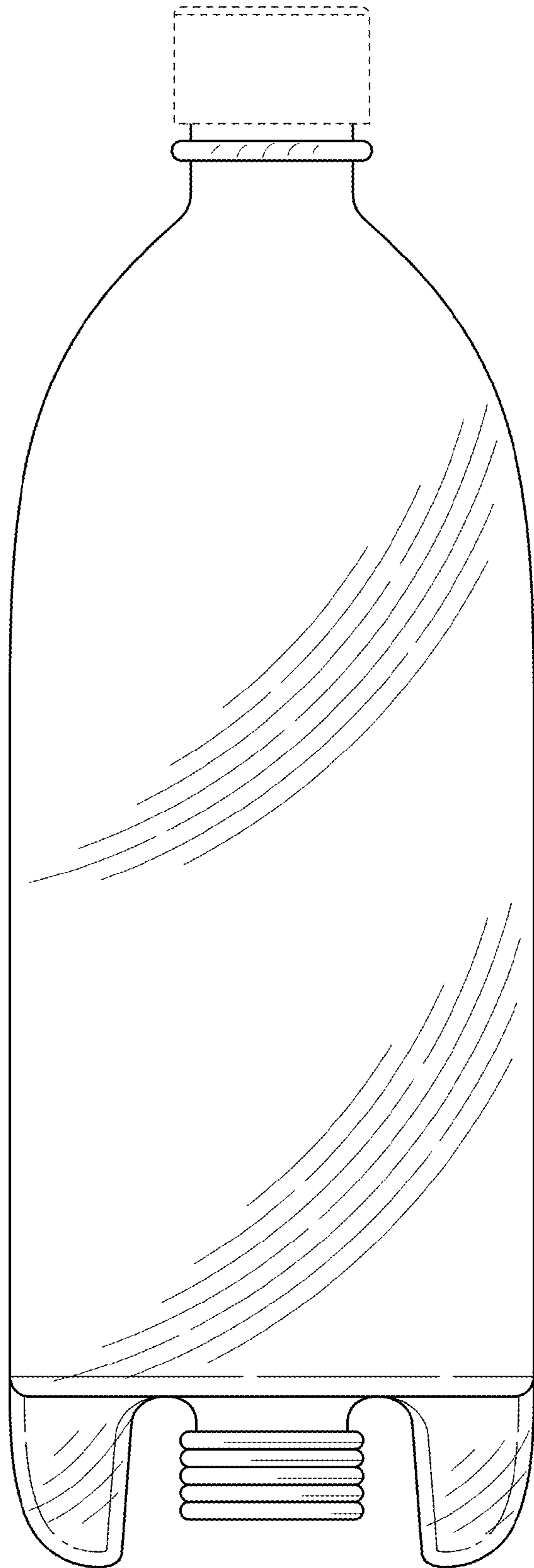


FIG. 4

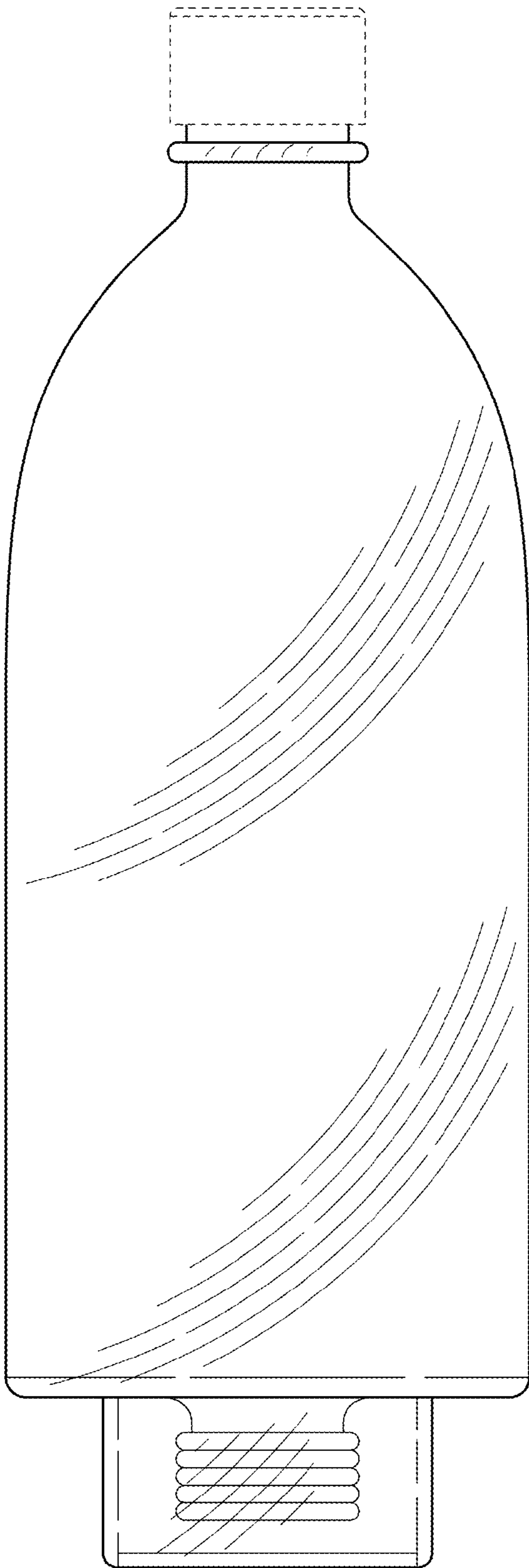


FIG. 5

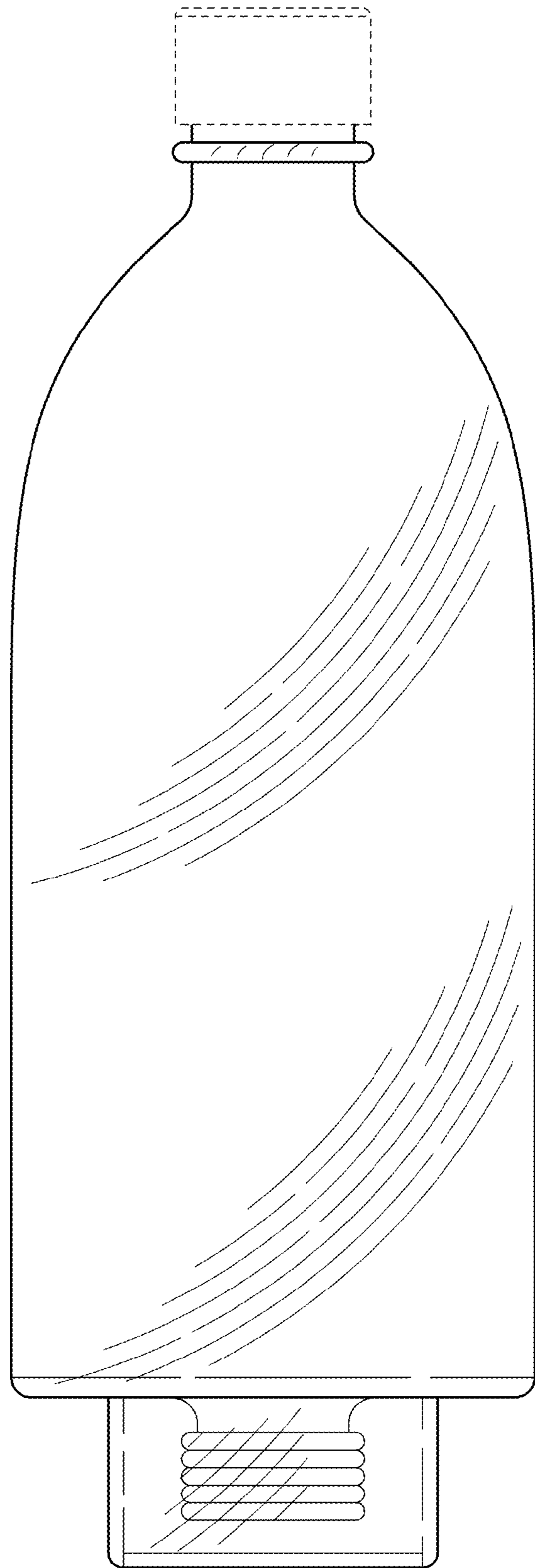


FIG. 6

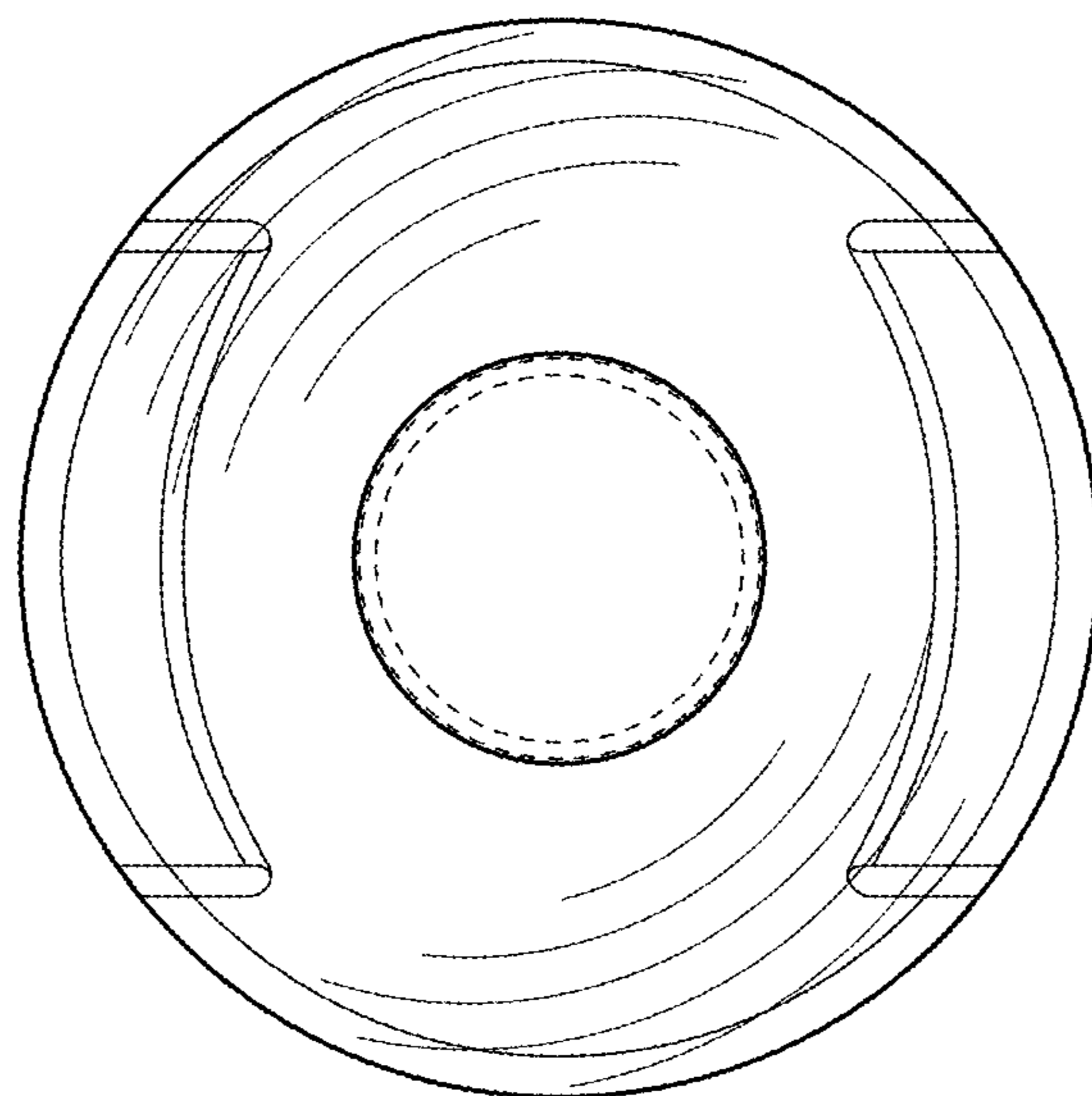


FIG. 7

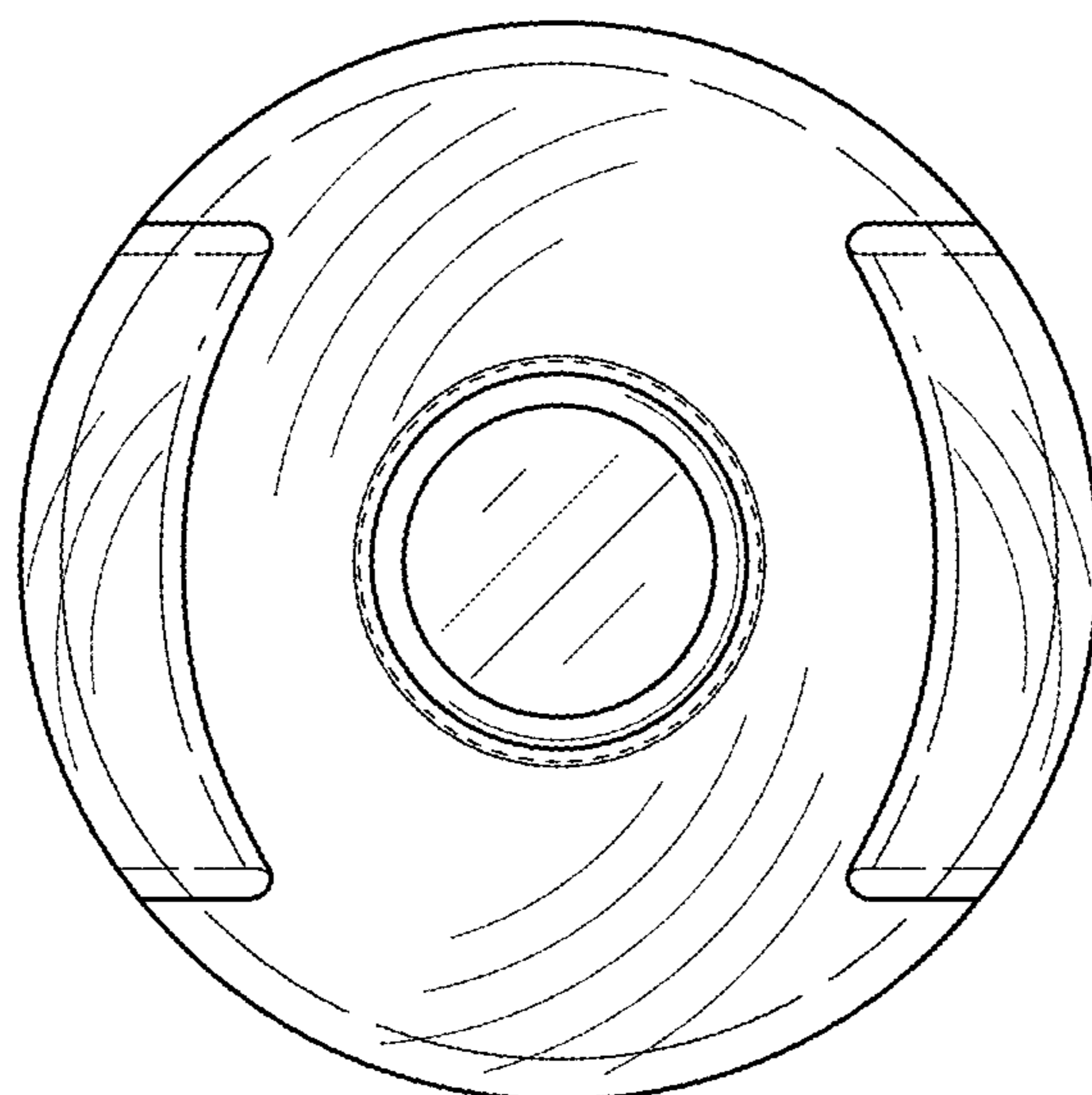


FIG. 8