



US00D932308S

(12) **United States Design Patent**  
**Franco**

(10) **Patent No.:** **US D932,308 S**

(45) **Date of Patent:** **\*\* Oct. 5, 2021**

(54) **BOTTLE**

(71) Applicant: **Abraham Franco**, North Miami Beach, FL (US)

(72) Inventor: **Abraham Franco**, North Miami Beach, FL (US)

(\*\*) Term: **15 Years**

(21) Appl. No.: **29/709,669**

(22) Filed: **Oct. 16, 2019**

(51) **LOC (13) Cl.** ..... **09-01**

(52) **U.S. Cl.**  
USPC ..... **D9/544**

(58) **Field of Classification Search**  
USPC ..... D9/521, 523, 528, 529, 544, 550, 574, D9/500, 531, 543, 560, 563, 575, 905, D9/907, 649, 562; D7/300, 300.1, 510, D7/598; D23/211.1, 211.2; 215/398, 215/381; D34/39; D11/62  
CPC ..... B65D 1/0223; B65D 23/10; B65D 2501/0081; B65D 21/0231; B65D 1/0284; A47J 43/27; A47J 41/0077; A47J 19/023  
See application file for complete search history.

(56) **References Cited**

U.S. PATENT DOCUMENTS

D62,804 S *	7/1923	Quan	.....	D9/544
D119,304 S *	3/1940	Higgins	.....	D9/544
D240,391 S *	7/1976	Koelnberg	.....	D9/523
D253,033 S *	10/1979	Meyer	.....	D9/544
D276,699 S *	12/1984	Mansau	.....	D9/544
D276,792 S *	12/1984	Mansau	.....	D9/544
D303,213 S *	9/1989	Mansau	.....	D9/544
D407,320 S *	3/1999	Costen	.....	D9/544
D426,465 S *	6/2000	Harkness	.....	D9/562
D517,414 S *	3/2006	Abadinsky	.....	D9/544
D537,725 S *	3/2007	Varlet	.....	D9/544

D573,479 S *	7/2008	Varlet	.....	D9/544
D597,848 S *	8/2009	Petzold	.....	D9/544
D601,032 S *	9/2009	Rica	.....	D9/544
D601,033 S *	9/2009	Rica	.....	D9/544
D605,524 S *	12/2009	Manocheo	.....	D9/523
D649,063 S *	11/2011	Bakalis	.....	D9/574
D654,798 S *	2/2012	Cota Castillo	.....	D9/544
D678,776 S *	3/2013	Lecetre	.....	D9/574
D742,240 S *	11/2015	Santos	.....	D9/574
D751,910 S *	3/2016	Saboia	.....	D9/521
D792,230 S *	7/2017	Santos	.....	D9/574
D795,076 S *	8/2017	Andran	.....	D9/546
D797,564 S *	9/2017	Penn	.....	D9/544
D797,565 S *	9/2017	Guyonnet	.....	D9/544
D797,567 S *	9/2017	Santos	.....	D9/574
D804,316 S *	12/2017	Hainaut	.....	D9/544
D834,421 S *	11/2018	Aebi	.....	D9/544
D864,733 S *	10/2019	Franco	.....	D9/544
D864,734 S *	10/2019	Franco	.....	D9/544
D864,735 S *	10/2019	Franco	.....	D9/544
D864,736 S *	10/2019	Franco	.....	D9/544

(Continued)

Primary Examiner — Brett Miller

Assistant Examiner — Rani J Abdallah

(74) Attorney, Agent, or Firm — Dunlap Bennett & Ludwig, PLLC; Brendan E. Squire

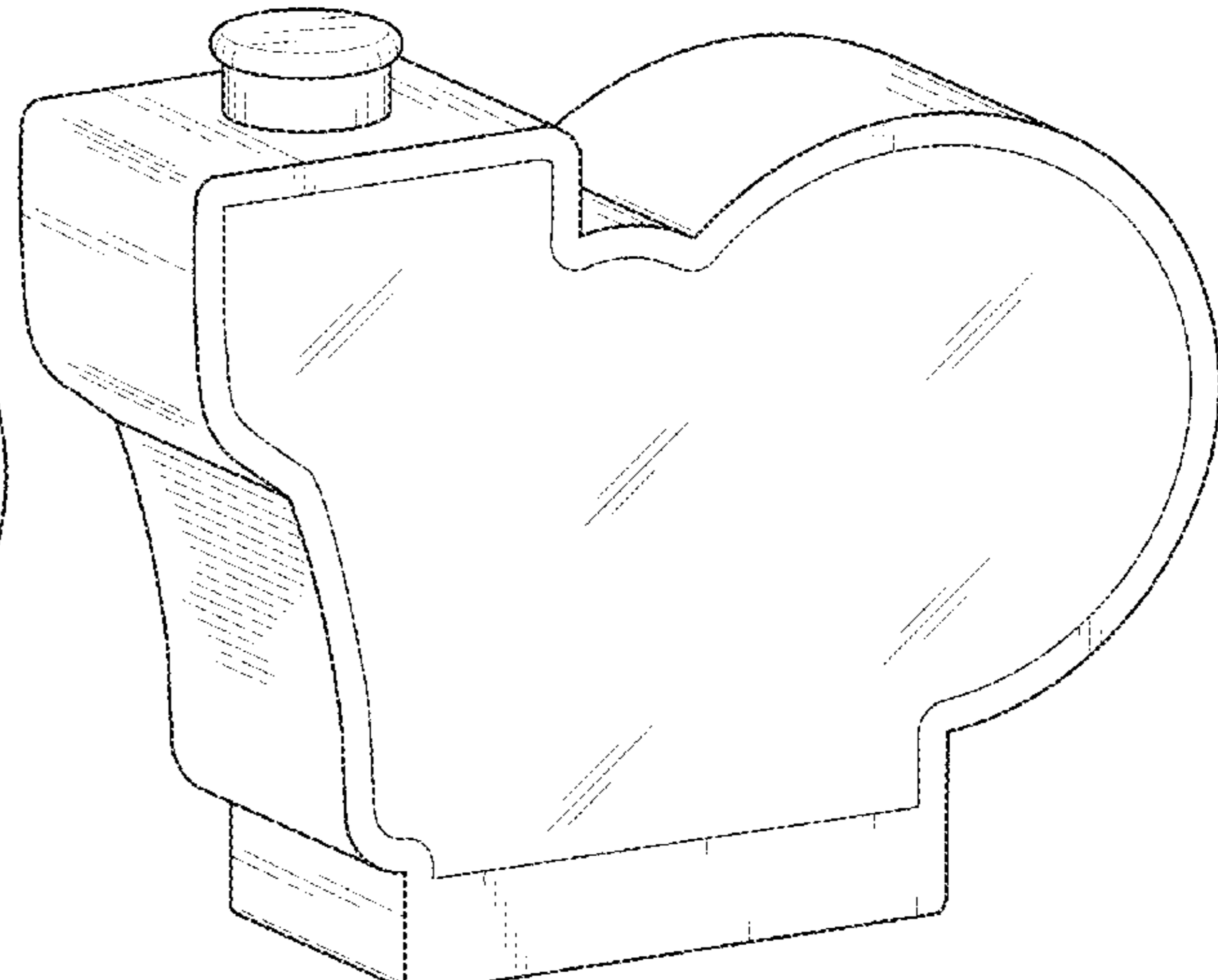
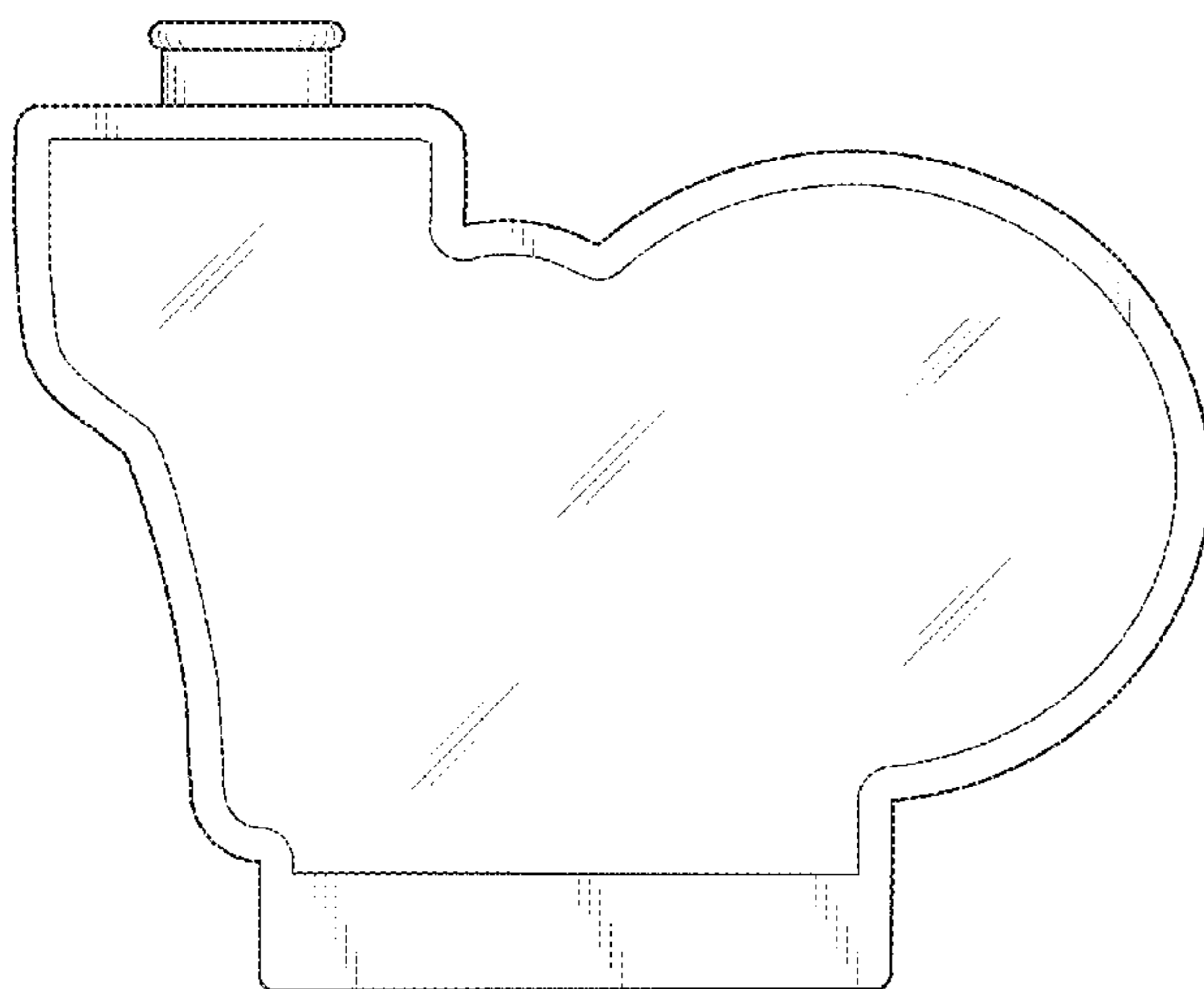
(57) **CLAIM**

The ornamental design for a bottle, as shown and described.

**DESCRIPTION**

FIG. 1 is a front elevation view of a bottle showing my new design;  
FIG. 2 is a front perspective view thereof;  
FIG. 3 is a rear elevation view thereof;  
FIG. 4 is a 3/4 perspective view thereof;  
FIG. 5 is a top plan view thereof;  
FIG. 6 is a bottom plan view thereof;  
FIG. 7 is a left side elevation view thereof; and,  
FIG. 8 is a right side elevation view thereof.

**1 Claim, 8 Drawing Sheets**



(56)

**References Cited**

U.S. PATENT DOCUMENTS

D864,737 S	*	10/2019	Franco	.....	D9/544
D864,738 S	*	10/2019	Franco	.....	D9/574
D864,739 S	*	10/2019	Franco	.....	D9/544
D864,740 S	*	10/2019	Franco	.....	D9/544
D864,741 S	*	10/2019	Franco	.....	D9/544
D864,742 S	*	10/2019	Franco	.....	D9/544
D864,743 S	*	10/2019	Franco	.....	D9/544
D865,532 S	*	11/2019	Franco	.....	D9/544
D865,533 S	*	11/2019	Franco	.....	D9/544
D882,408 S	*	4/2020	Franco	.....	D9/600
D895,431 S	*	9/2020	Franco	.....	D9/544
D906,828 S	*	1/2021	Franco	.....	D9/649

\* cited by examiner

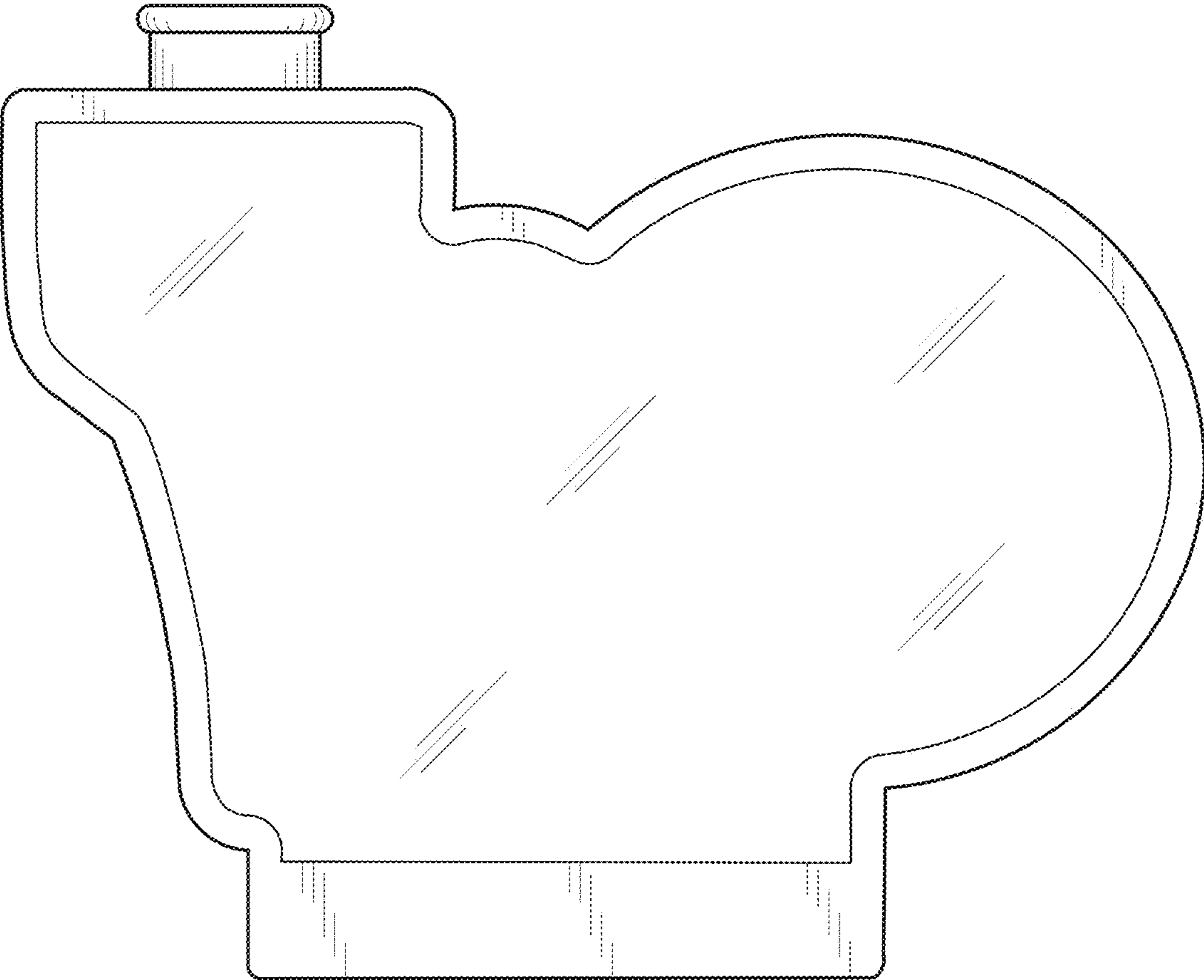


FIG. 1

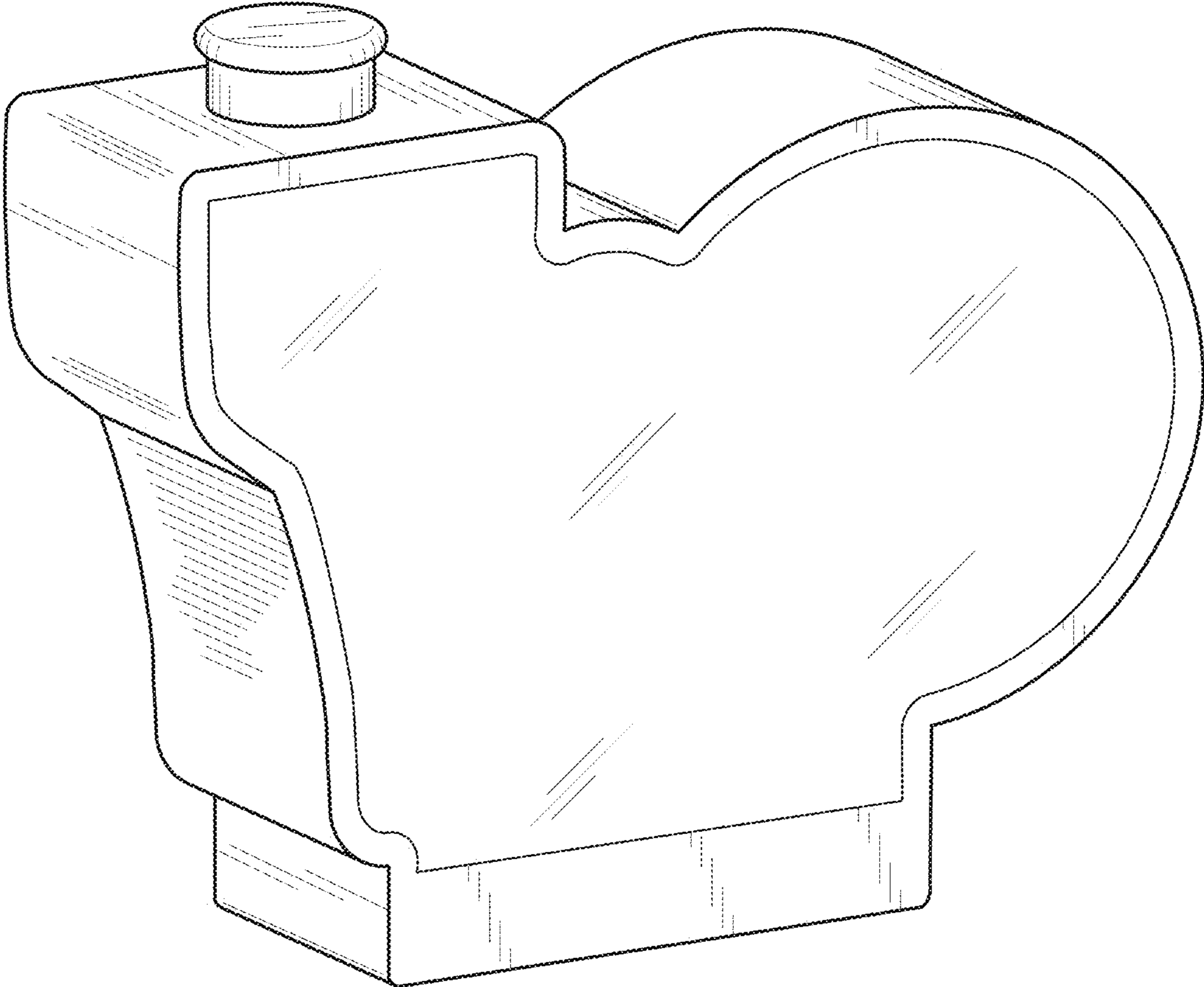


FIG.2

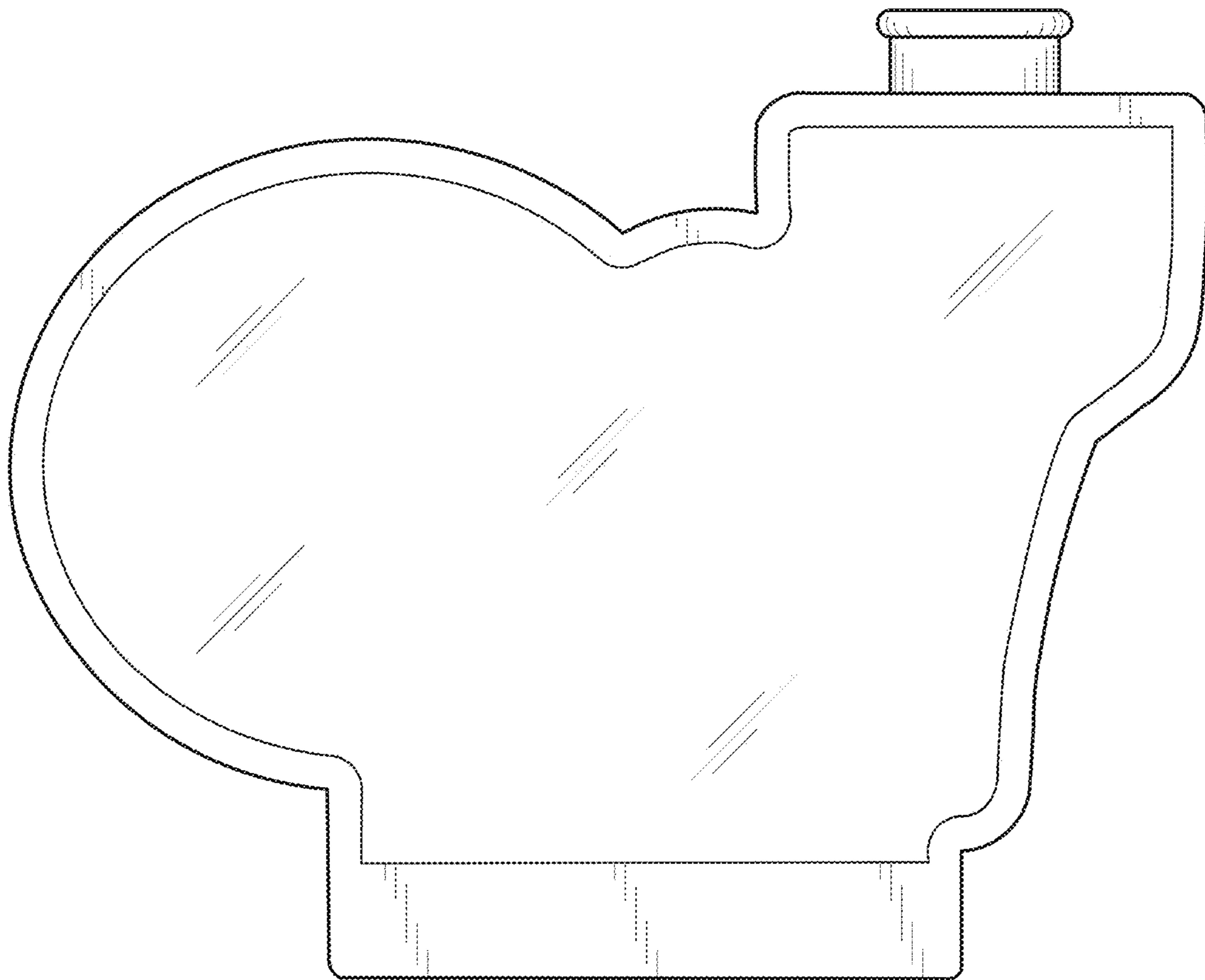


FIG. 3

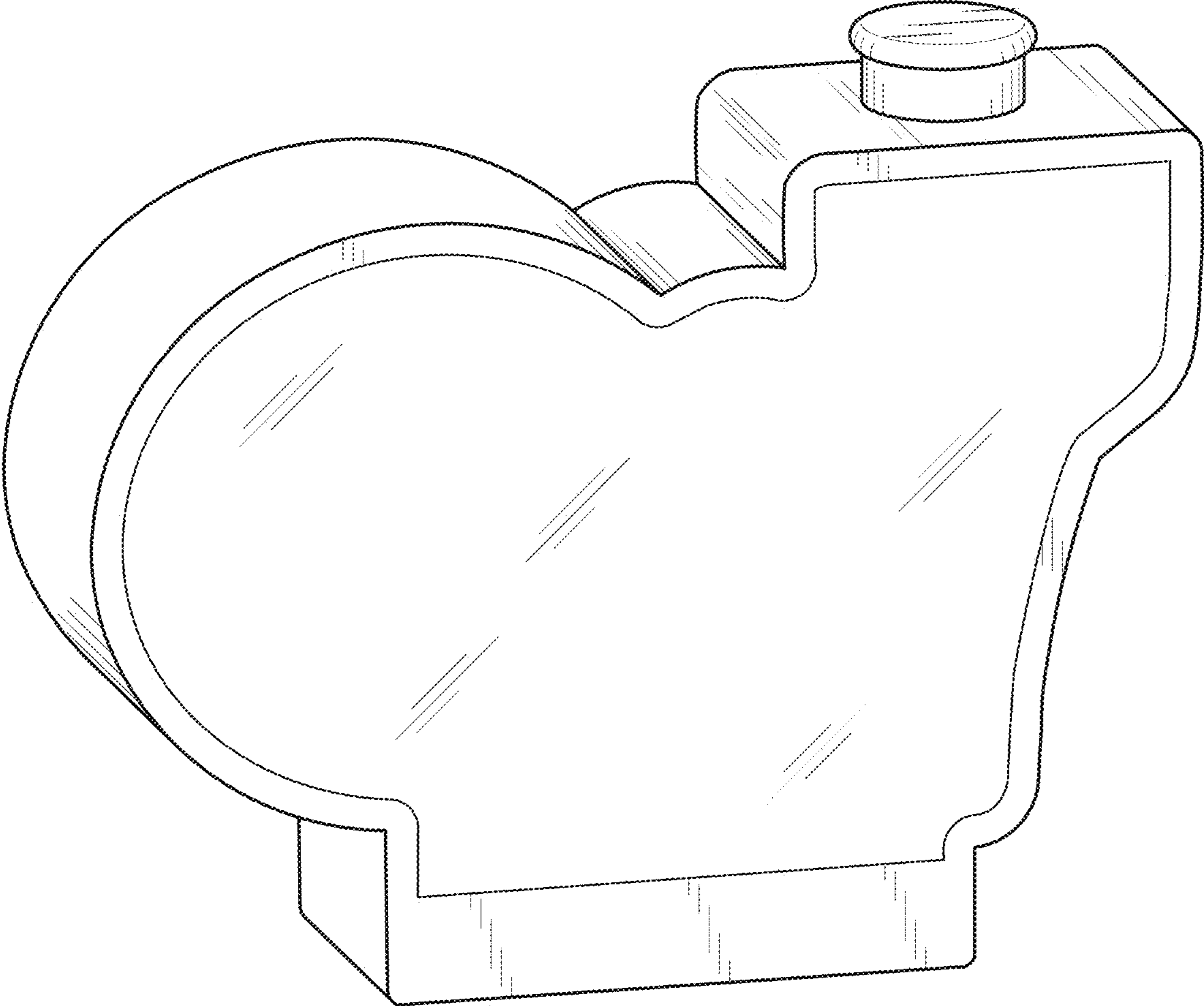


FIG. 4

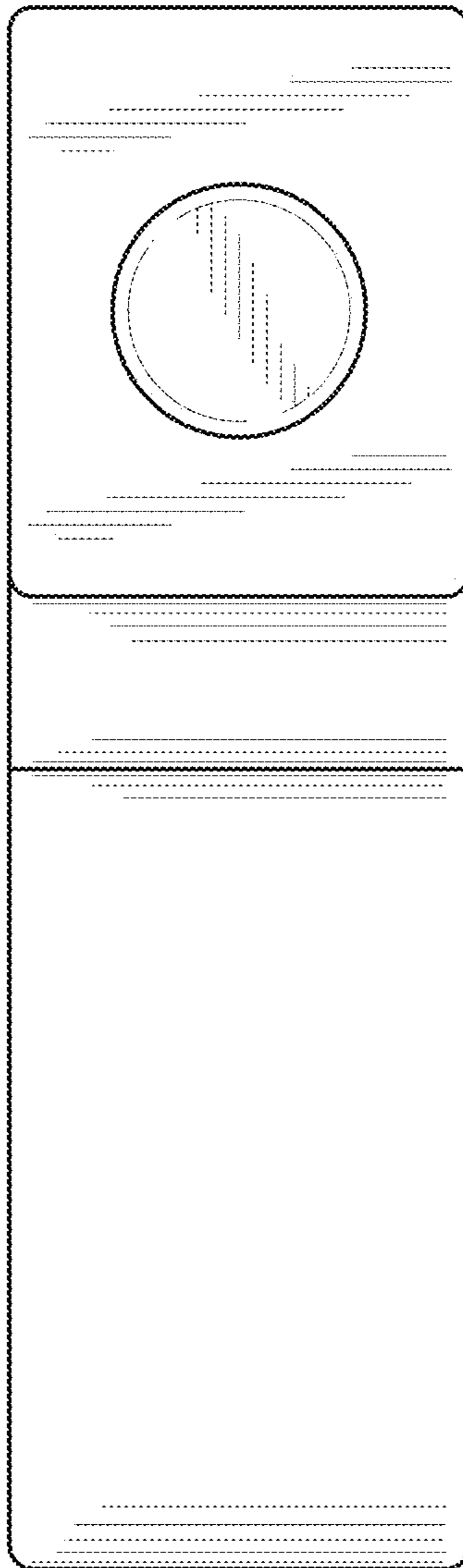


FIG. 5

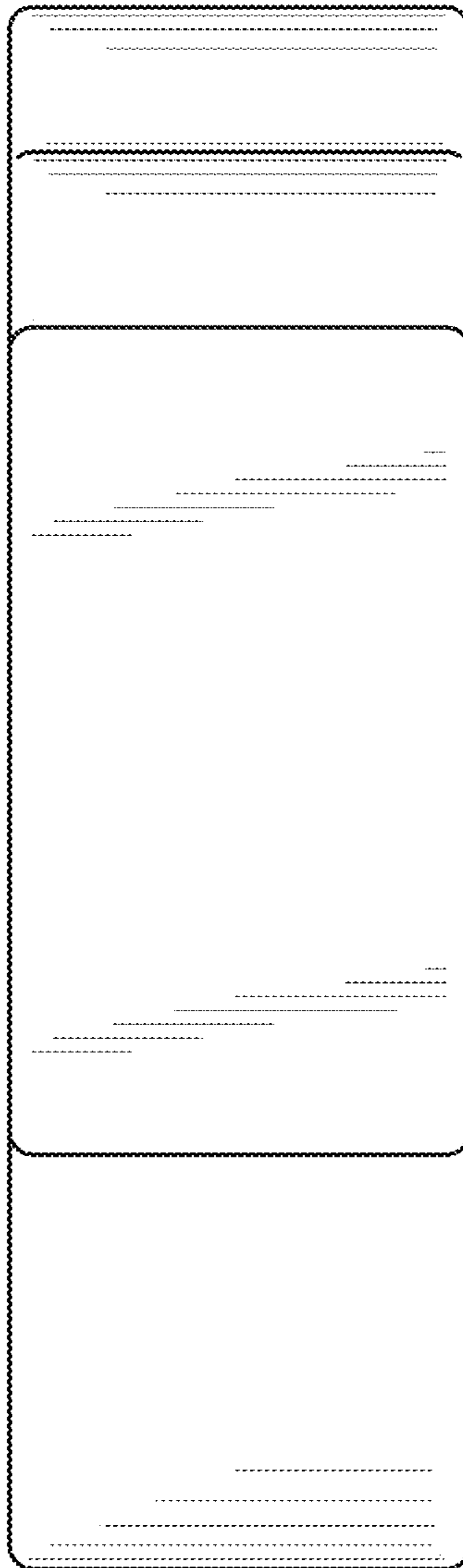


FIG. 6



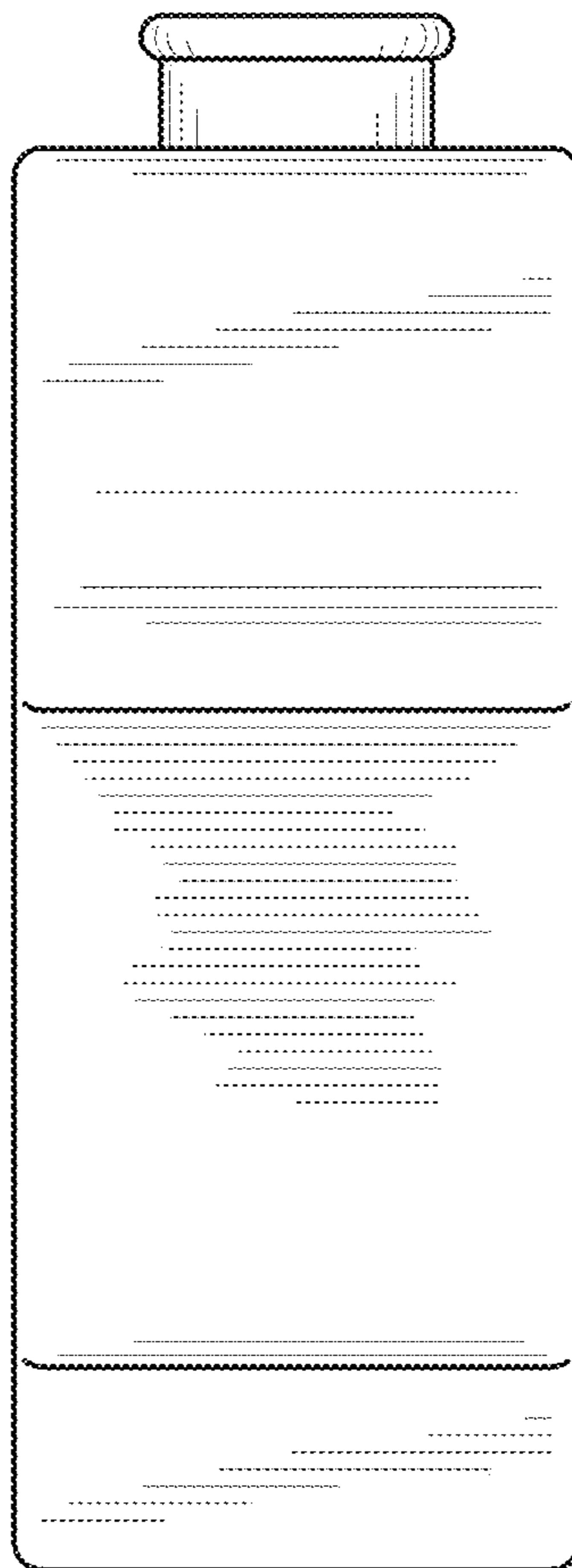


FIG. 7

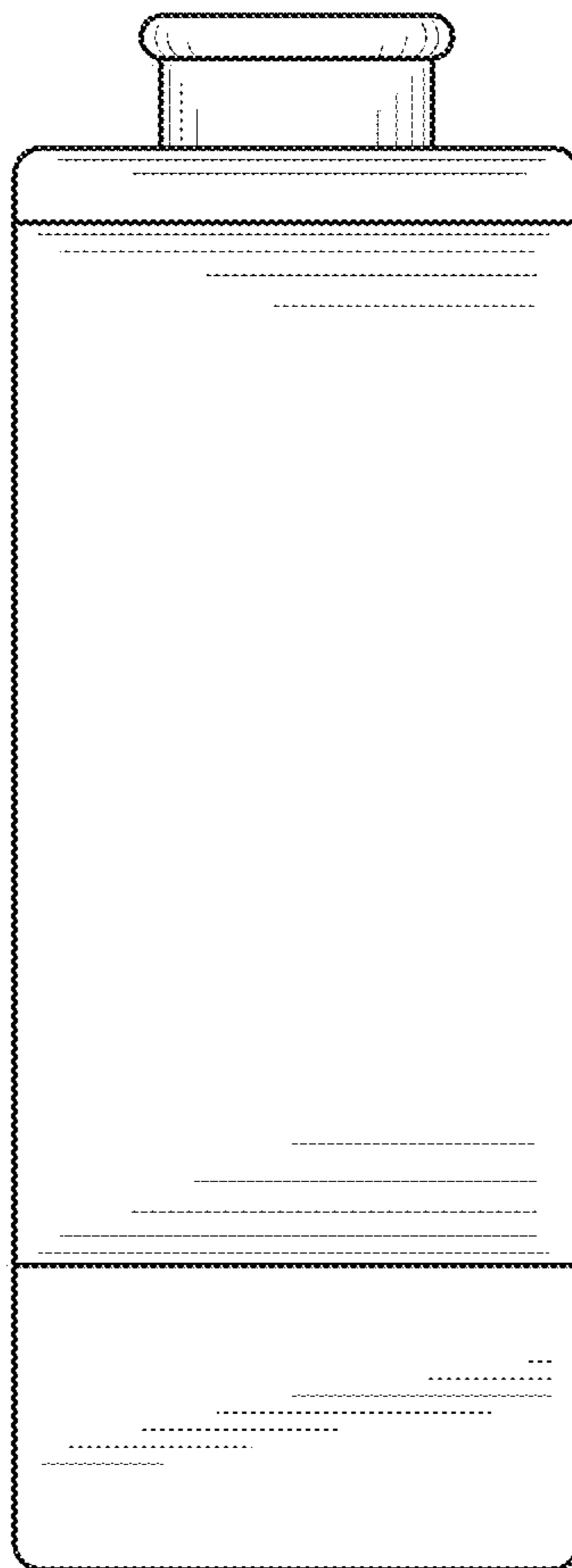


FIG. 8