



US00D932307S

(12) **United States Design Patent**  
**Gedanke et al.**

(10) **Patent No.:** **US D932,307 S**

(45) **Date of Patent:** **\*\* Oct. 5, 2021**

(54) **BOTTLE**

(71) Applicant: **Church & Dwight Co., Inc.**, Princeton, NJ (US)

(72) Inventors: **Sergio Gedanke**, Brooklyn, NY (US);  
**Frank Edward Lindsay**, Hamilton, NJ (US)

(73) Assignee: **Church & Dwight Co., Inc.**, Princeton, NJ (US)

(\*\*) Term: **15 Years**

(21) Appl. No.: **29/709,209**

(22) Filed: **Oct. 11, 2019**

(51) **LOC (13) Cl.** ..... **09-01**

(52) **U.S. Cl.**

USPC ..... **D9/542**; D9/530

(58) **Field of Classification Search**

USPC ..... D9/440, 443, 447, 516, 520, 523–528,  
D9/530–543, 550, 551, 552, 554, 556,  
D9/558, 563, 428, 573–575, 564, 522,  
D9/529; D7/396.2, 507, 509, 510, 511,  
D7/532, 533, 608, 631–634; D3/202;  
D6/518, 523, 734

CPC ..... B65D 1/0223; B65D 2543/00296; B65D  
2543/00092; B65D 2543/00537; B65D  
2501/0081; B65D 23/10; B65D 23/102;  
A47J 43/27

See application file for complete search history.

(56) **References Cited**

**U.S. PATENT DOCUMENTS**

D303,762 S \* 10/1989 Cardinal ..... D9/542  
D444,067 S \* 6/2001 Goettner ..... D9/525  
D470,774 S \* 2/2003 Zaksenberg ..... D9/542  
D505,331 S \* 5/2005 Lane ..... D9/542  
D533,455 S \* 12/2006 Leck ..... D9/516

D560,440 S \* 1/2008 George ..... D9/531  
D607,738 S \* 1/2010 Kuzma ..... D9/542  
D623,064 S \* 9/2010 Salmon ..... D9/524  
D640,926 S \* 7/2011 Turchi ..... D9/539  
D646,577 S \* 10/2011 Turchi ..... D9/539  
D706,637 S \* 6/2014 James ..... D9/542  
D707,563 S \* 6/2014 James ..... D9/542  
D708,066 S \* 7/2014 Peacock ..... D9/542  
D710,204 S \* 8/2014 James ..... D9/542  
D767,994 S \* 10/2016 Goswell ..... D9/542  
9,505,534 B2 \* 11/2016 Mercado ..... B65D 51/246  
9,511,890 B2 \* 12/2016 Gill ..... B65D 1/10  
D781,153 S \* 3/2017 Blake ..... D9/551  
D788,592 S \* 6/2017 Shaver ..... D9/542

(Continued)

**FOREIGN PATENT DOCUMENTS**

EM 000368352-0001 7/2005

*Primary Examiner* — Brett Miller

*Assistant Examiner* — Rani J Abdallah

(74) *Attorney, Agent, or Firm* — Church & Dwight Co., Inc.

(57) **CLAIM**

The ornamental design for a bottle, as shown and described.

**DESCRIPTION**

FIG. 1 is top perspective view of the bottle showing the new design;

FIG. 2 is bottom perspective view of the bottle;

FIG. 3 is an elevational view of a front of the bottle;

FIG. 4 is an elevational view of a rear of the bottle;

FIG. 5 is an elevational view of a first side of the bottle;

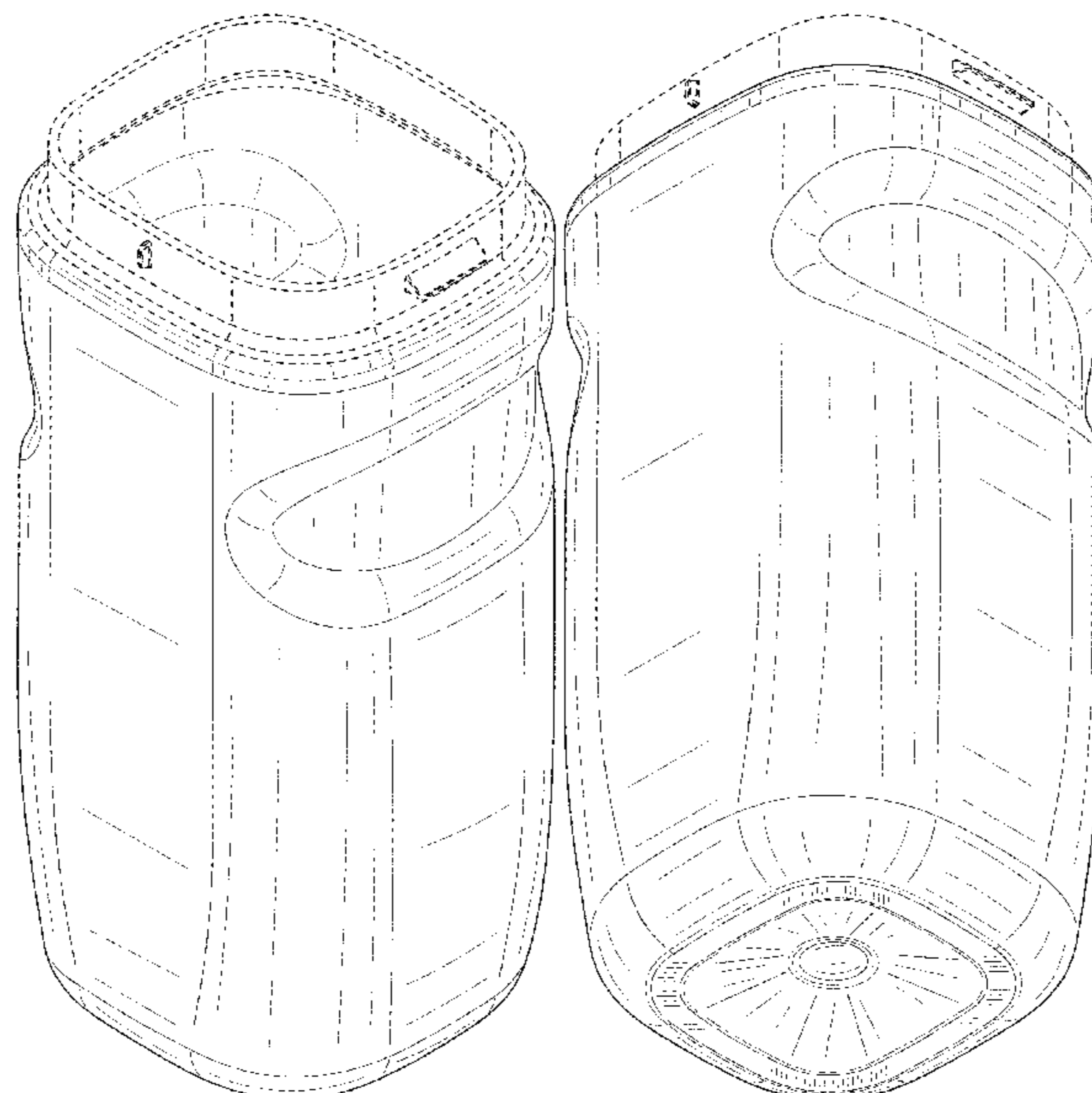
FIG. 6 is an elevational view of a second, opposing side of the bottle;

FIG. 7 is a top plan view of the bottle; and,

FIG. 8 is a bottom plan view of the bottle.

The broken lines shown herein depict environmental subject matter only and form no part of the claimed design.

**1 Claim, 7 Drawing Sheets**



(56)

**References Cited**

U.S. PATENT DOCUMENTS

D789,796 S \* 6/2017 McSweeney ..... D9/542  
D800,501 S \* 10/2017 Rummel ..... D7/509  
D803,692 S \* 11/2017 Enxing ..... D9/551  
2004/0238553 A1\* 12/2004 Lane ..... B65D 43/169  
220/835  
2011/0006066 A1\* 1/2011 Vandamme ..... B65D 43/22  
220/315

\* cited by examiner

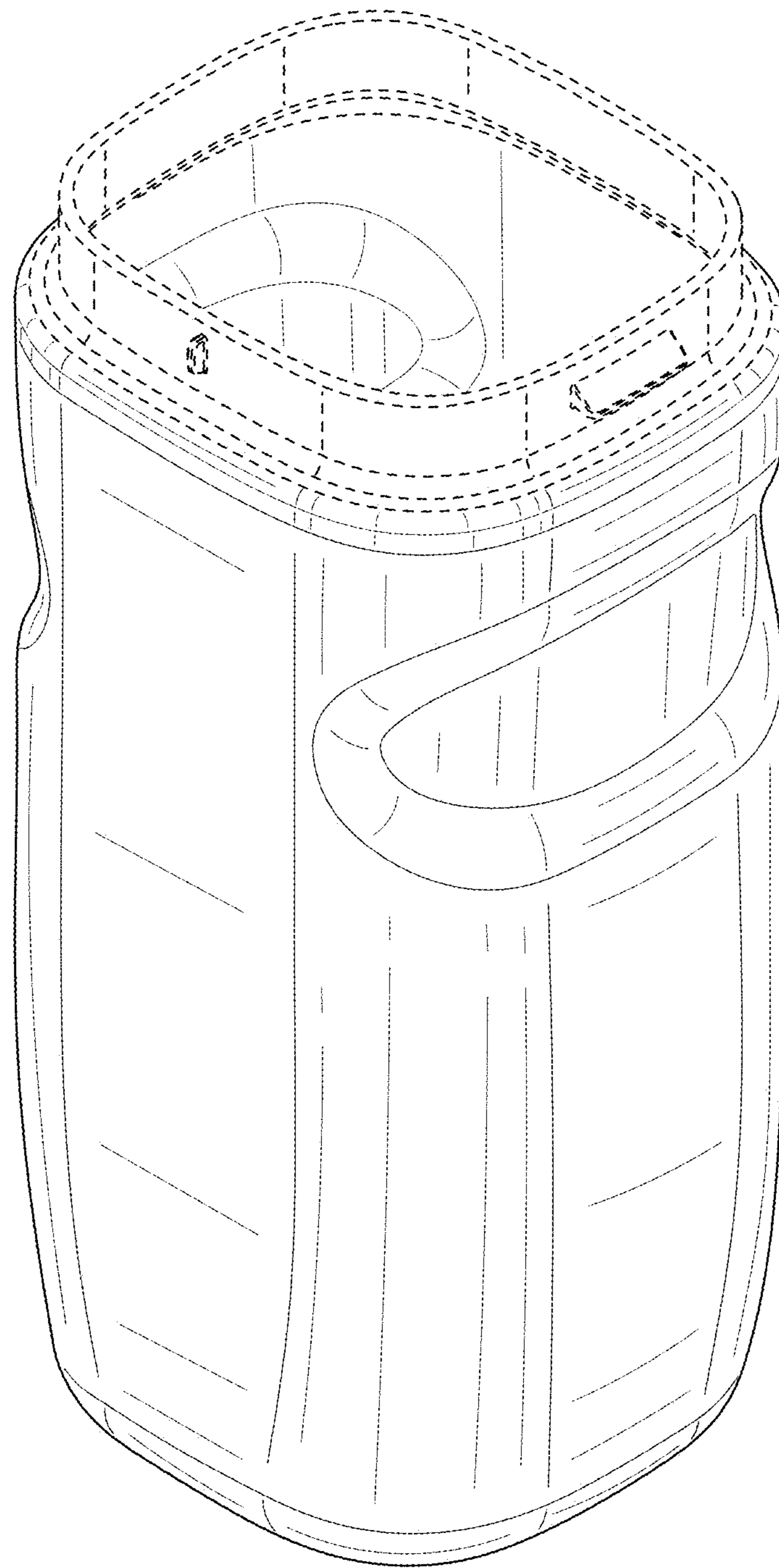


FIG. 1

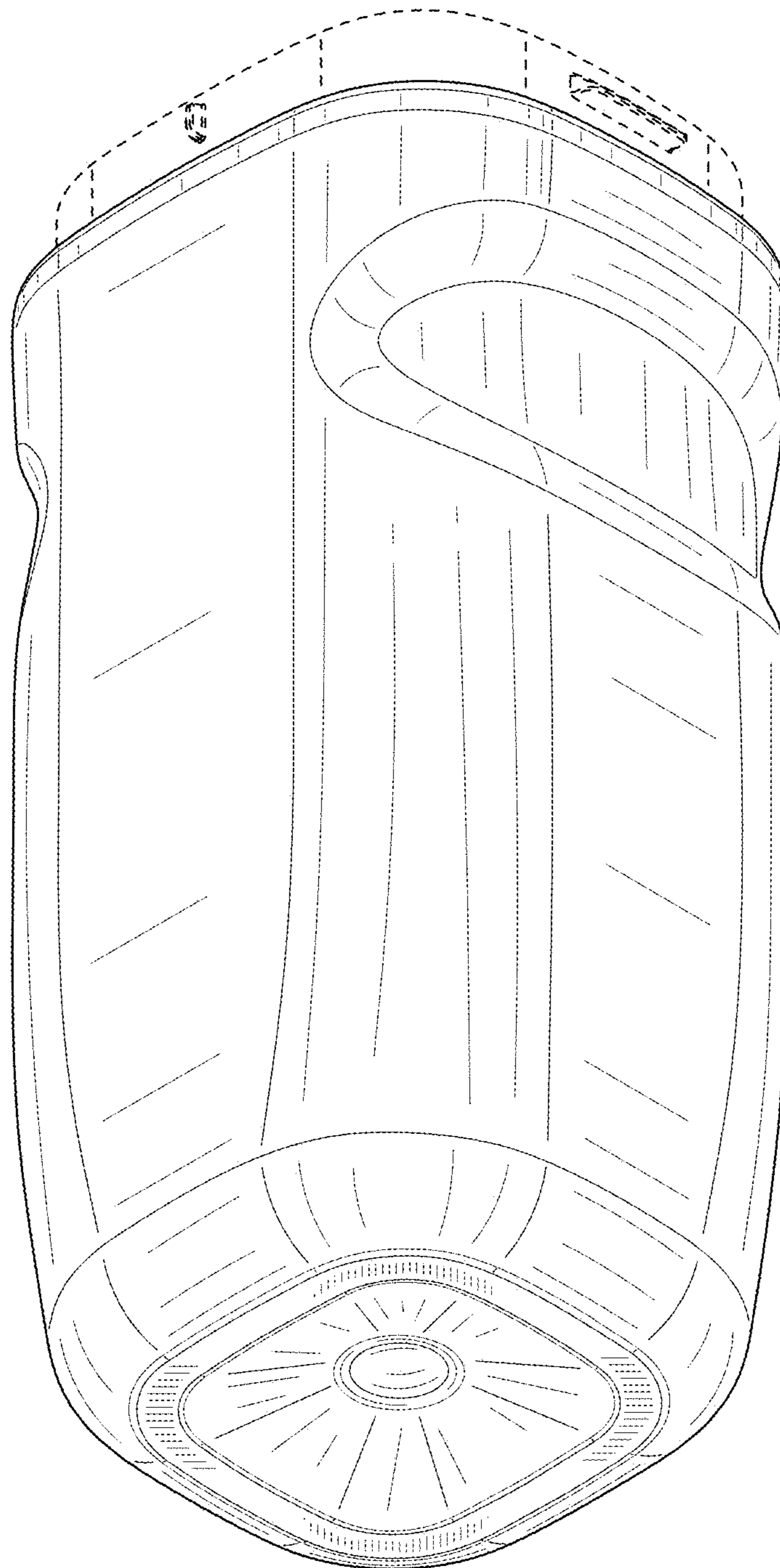


FIG. 2

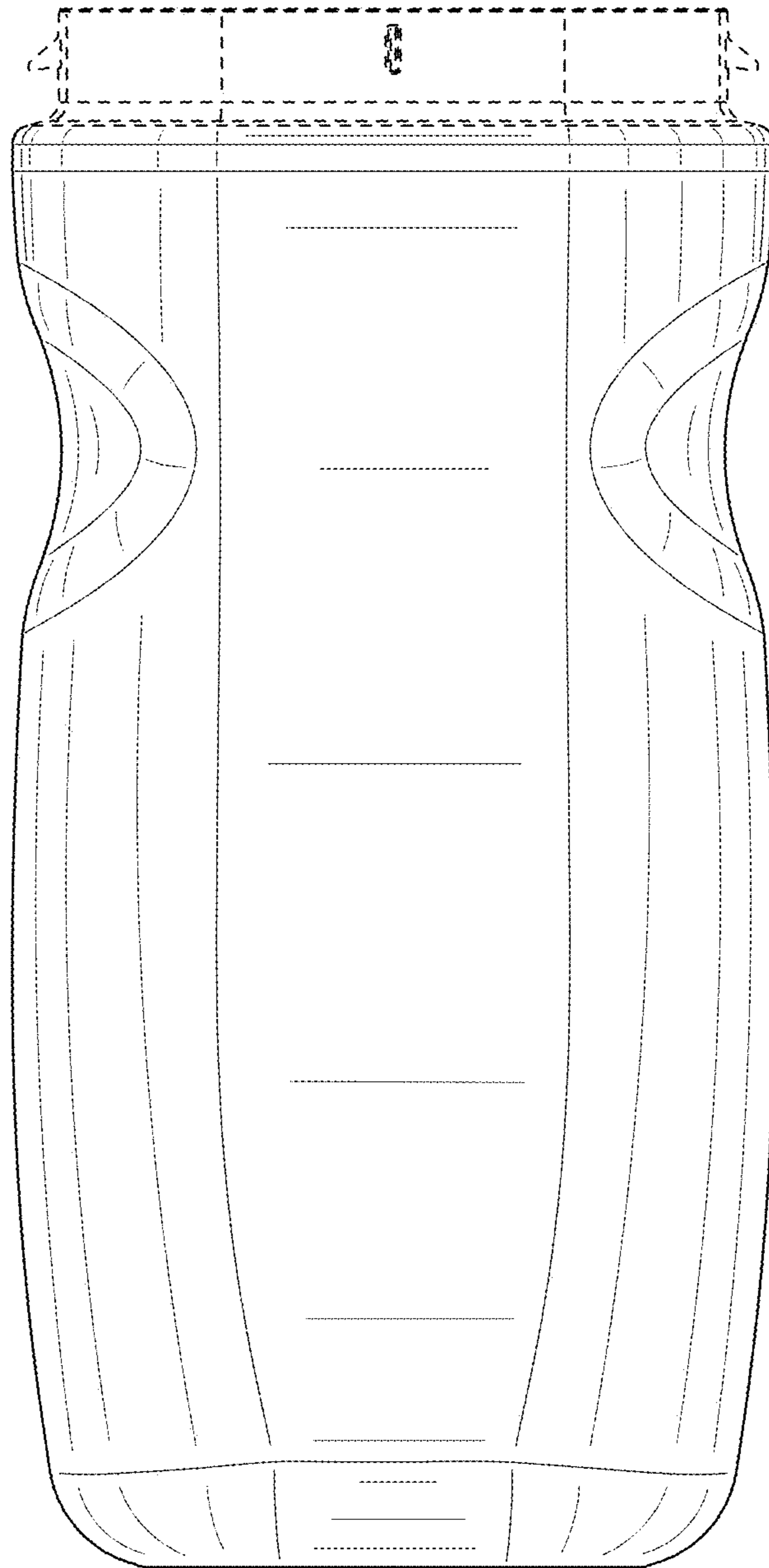


FIG. 3

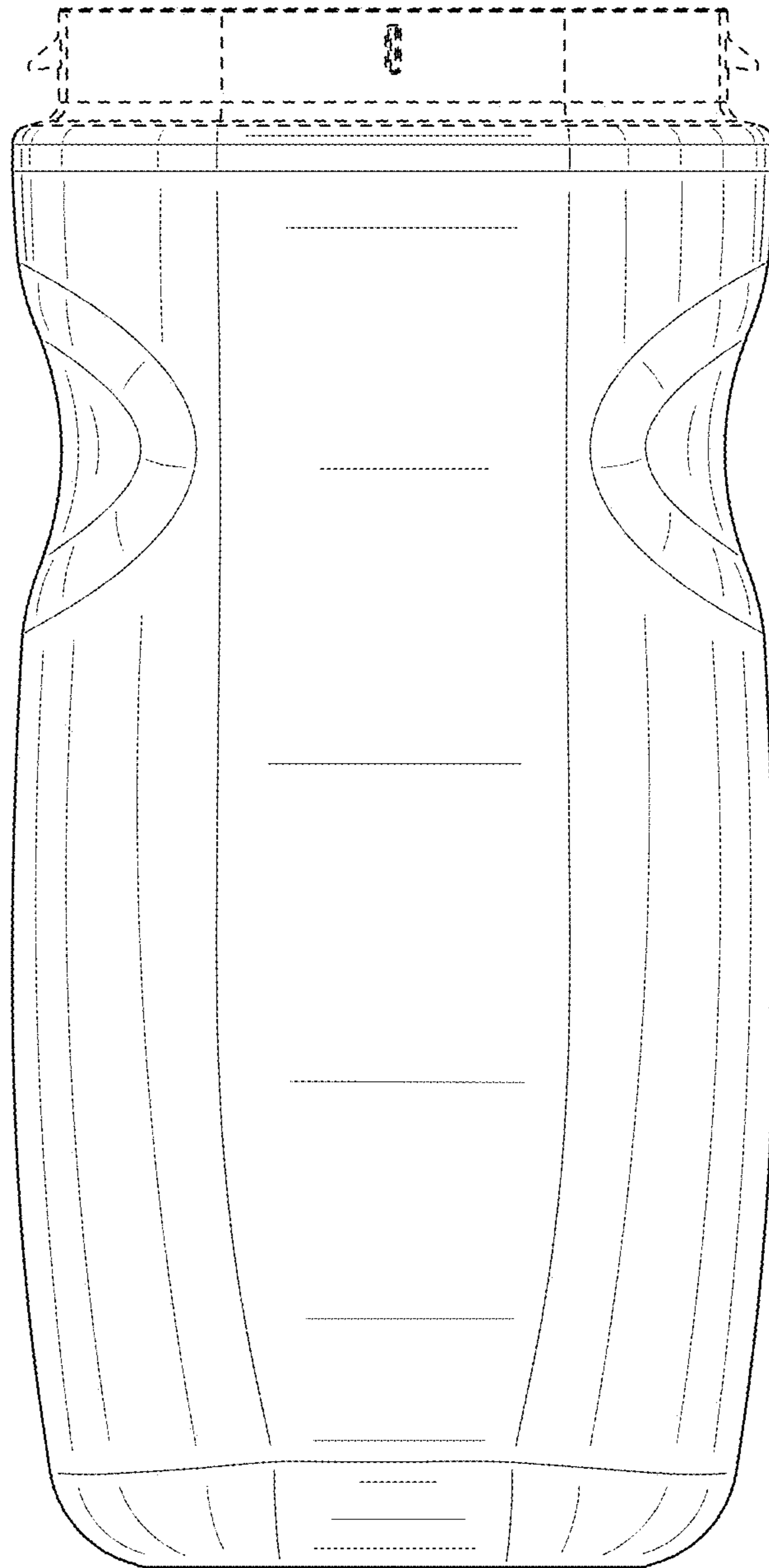


FIG. 4

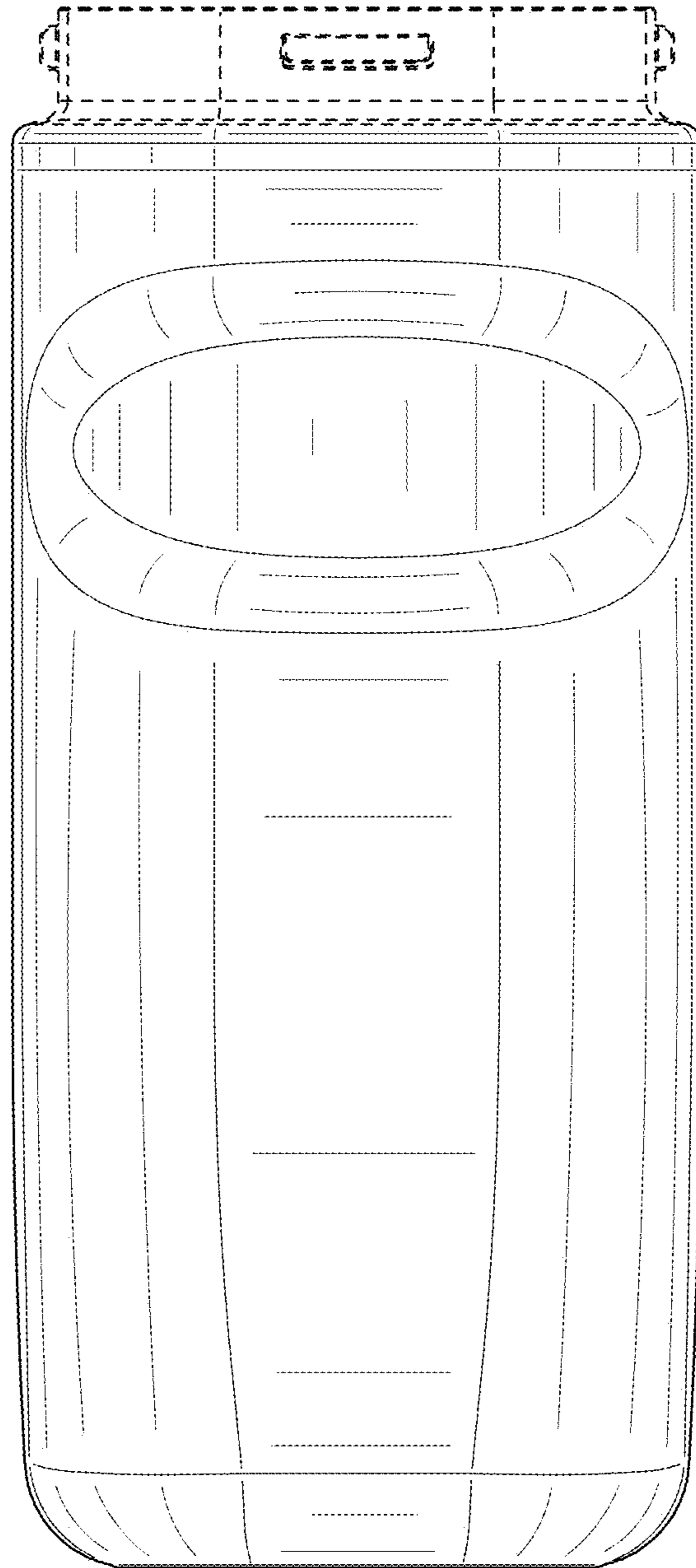


FIG. 5

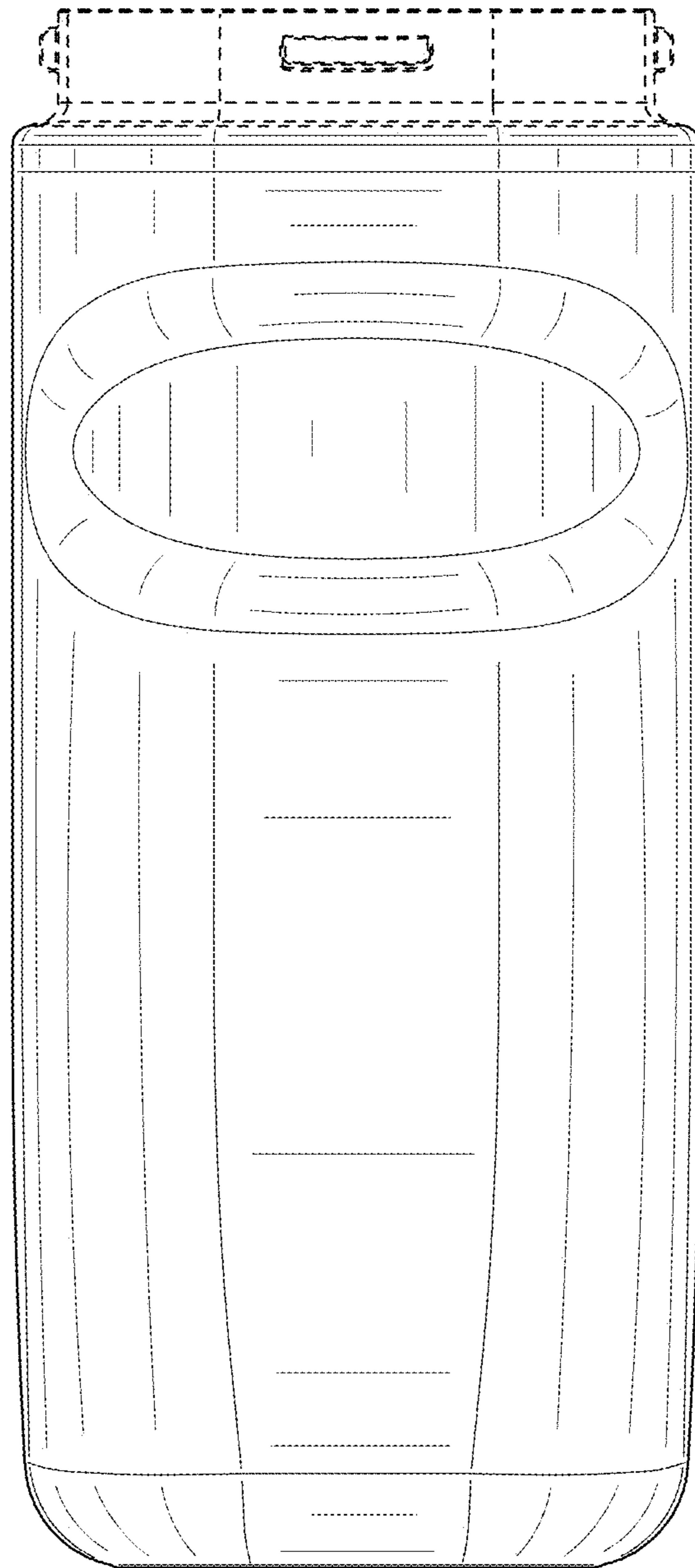


FIG. 6



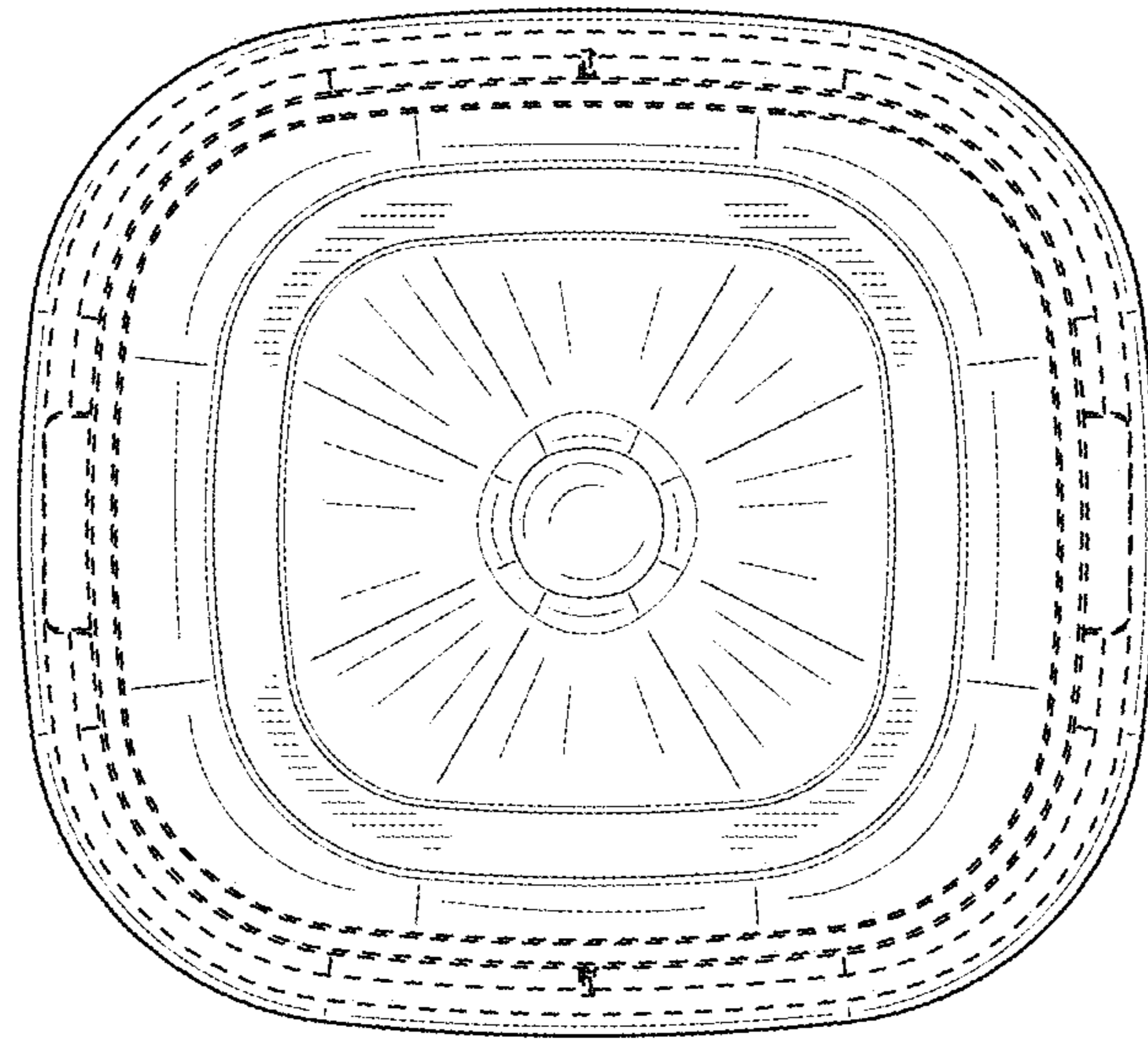


FIG. 7

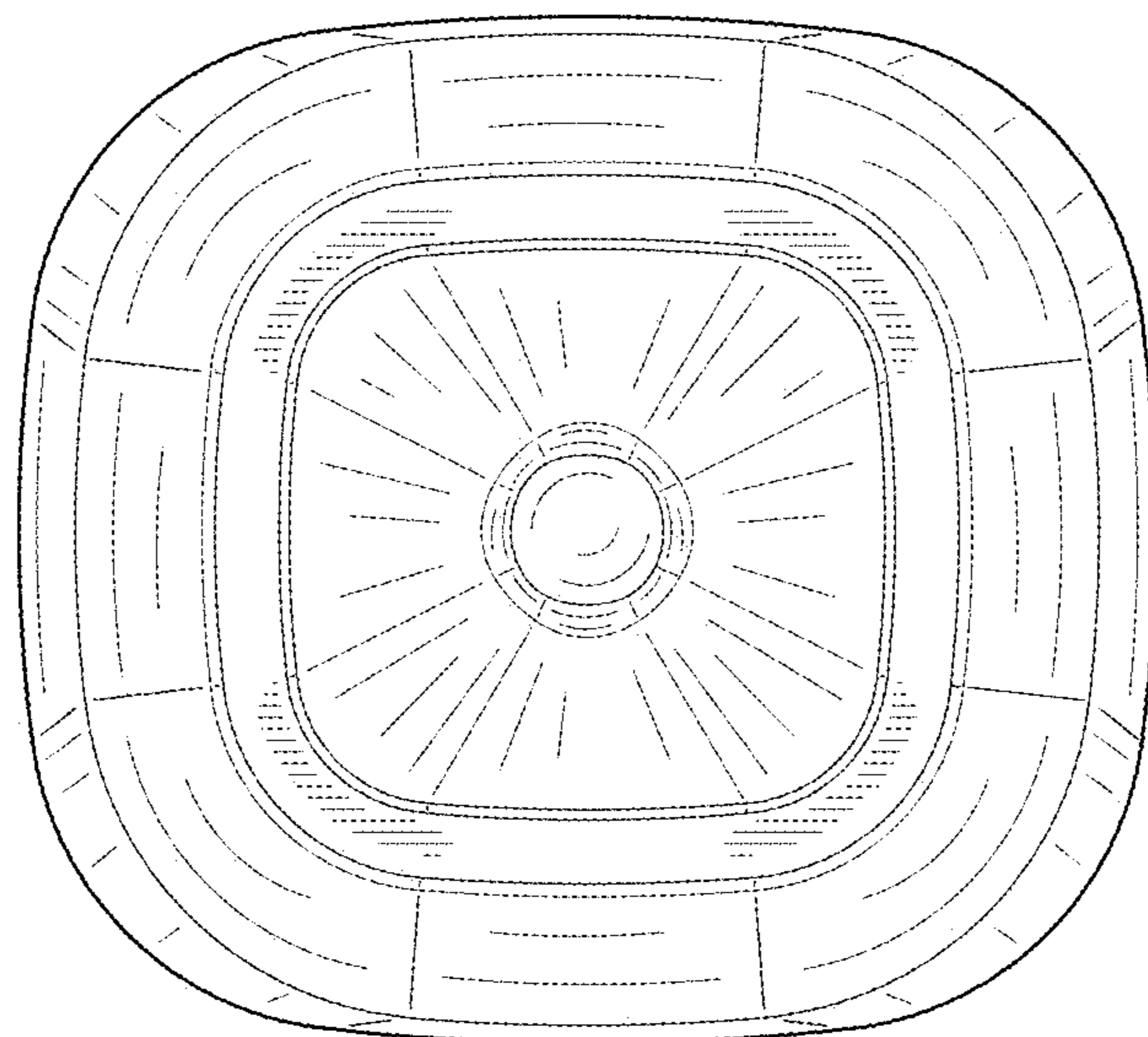


FIG. 8