



US00D932306S

(12) **United States Design Patent**
Hwang

(10) **Patent No.:** **US D932,306 S**

(45) **Date of Patent:** **** Oct. 5, 2021**

(54) **BOTTLE**

(71) Applicant: **KOLETO INNOVATIONS, LLC**,
Garden Grove, CA (US)

(72) Inventor: **Steven Hwang**, Garden Grove, CA
(US)

(73) Assignee: **Koleto Innovations, LLC**, Cypress, CA
(US)

(**) Term: **15 Years**

(21) Appl. No.: **29/697,628**

(22) Filed: **Jul. 10, 2019**

(51) **LOC (13) Cl.** **09-01**

(52) **U.S. Cl.**
USPC **D9/529; D9/520**

(58) **Field of Classification Search**
USPC D9/500–505, 516, 519, 523, 529, 549,
D9/550, 556, 558, 563, 575, 547, 548,
D9/520
CPC B65D 1/0246; B65D 41/04; B65D 1/0223;
B65D 2543/00092; Y10S 220/906
See application file for complete search history.

(56) **References Cited**

U.S. PATENT DOCUMENTS

D230,470 S *	2/1974	Frohn	D9/520
D267,149 S *	12/1982	Whorton, III	D9/520
D267,233 S *	12/1982	Aoki	D9/520
D269,066 S *	5/1983	Gaunt	215/375
D269,761 S *	7/1983	Gaunt	D9/558
D270,332 S *	8/1983	Gaunt	D9/558
D298,740 S *	11/1988	Warrell	D9/558
5,052,592 A *	10/1991	Wilken	B65D 83/0033 222/212
D322,753 S *	12/1991	Sussman	D9/504
5,427,258 A *	6/1995	Krishnakumar	B65D 1/0284 215/400

D369,499 S *	5/1996	Scott	D9/520
D381,259 S *	7/1997	Hayes	D9/503
D391,482 S *	3/1998	Wiemann	D9/516
D533,783 S *	12/2006	Kliger	D9/519
D534,803 S *	1/2007	Tsai	D9/519
D541,658 S *	5/2007	Tsai	D9/519
D587,119 S *	2/2009	Meillerais	D9/520
D587,120 S *	2/2009	Meillerais	D9/520
D612,240 S *	3/2010	Cresswell	D9/504
D643,734 S *	8/2011	Perez	D9/520
D659,539 S *	5/2012	Bakic	D9/503
D722,503 S *	2/2015	Smith	D9/516
D722,892 S *	2/2015	Baddour	D9/520
D765,512 S *	9/2016	Joulia	D9/504
D814,860 S *	4/2018	Ksiazek	D9/520
D828,113 S *	9/2018	Fleischhut	D9/503
D844,438 S *	4/2019	Deylamian	D9/503
D847,645 S *	5/2019	Lee	D9/504
D871,844 S *	1/2020	Adams, Jr.	D7/510
D909,207 S *	2/2021	Blomberg	D9/504
D909,877 S *	2/2021	Hwang	D9/503

(Continued)

Primary Examiner — Brett Miller

Assistant Examiner — Rani J Abdallah

(74) *Attorney, Agent, or Firm* — Ryan Dean; Umberg
Zipser LLP

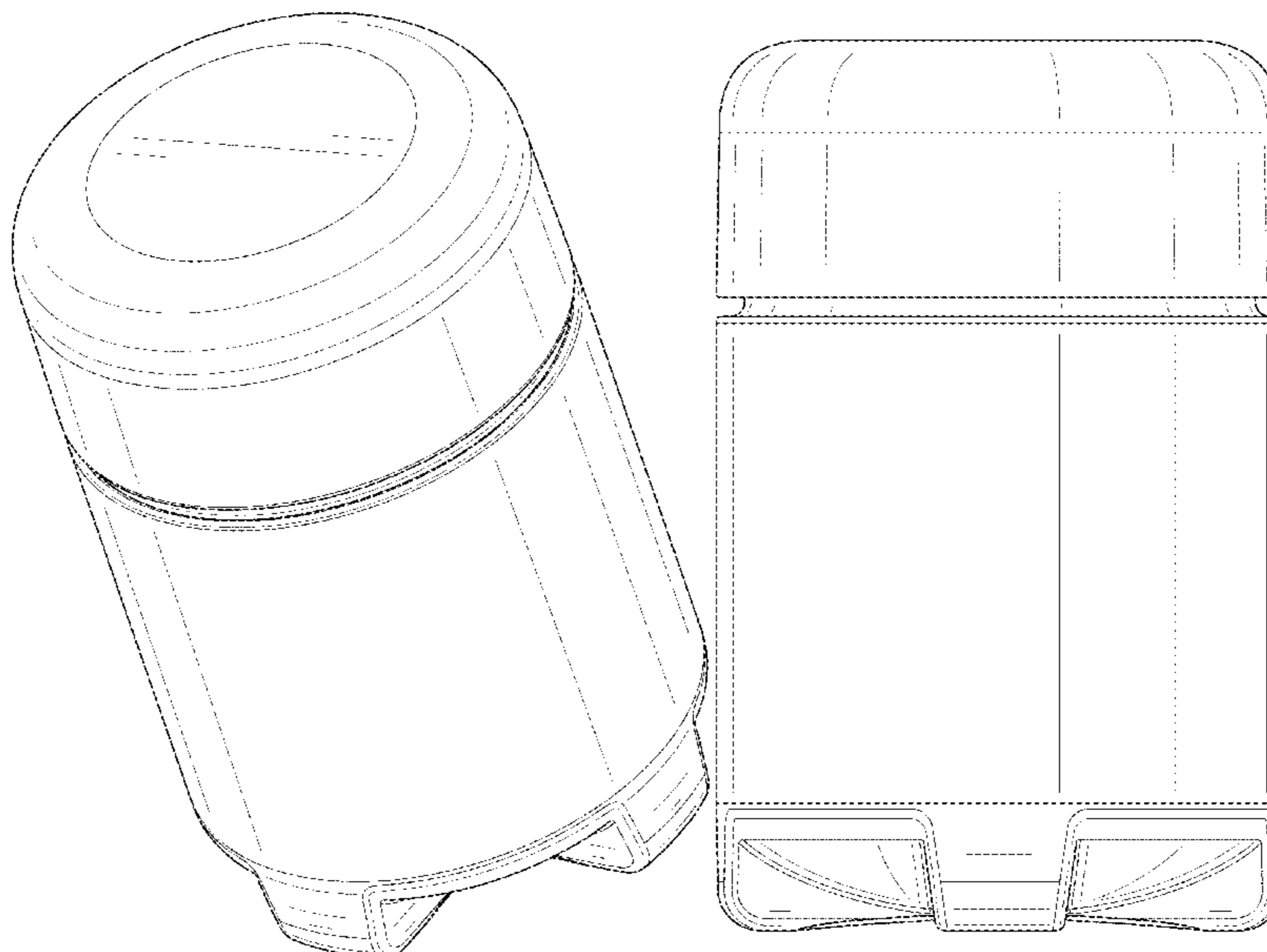
(57) **CLAIM**

I claim the ornamental design for a bottle, as shown and described.

DESCRIPTION

FIG. 1 is a perspective view of a bottle of the claimed design. FIG. 2 is a front elevation view of the bottle. FIG. 3 is a back elevation view of the bottle. FIG. 4 is a left side elevation view of the bottle. FIG. 5 is a right side elevation view of the bottle. FIG. 6 is a top plan view of the bottle; and, FIG. 7 is a bottom plan view of the bottle.

1 Claim, 7 Drawing Sheets



(56)

References Cited

U.S. PATENT DOCUMENTS

D915,205 S	*	4/2021	Castellanos	D9/504
D917,292 S	*	4/2021	Blomberg	D9/504
D920,793 S	*	6/2021	Hawry	D9/503

* cited by examiner

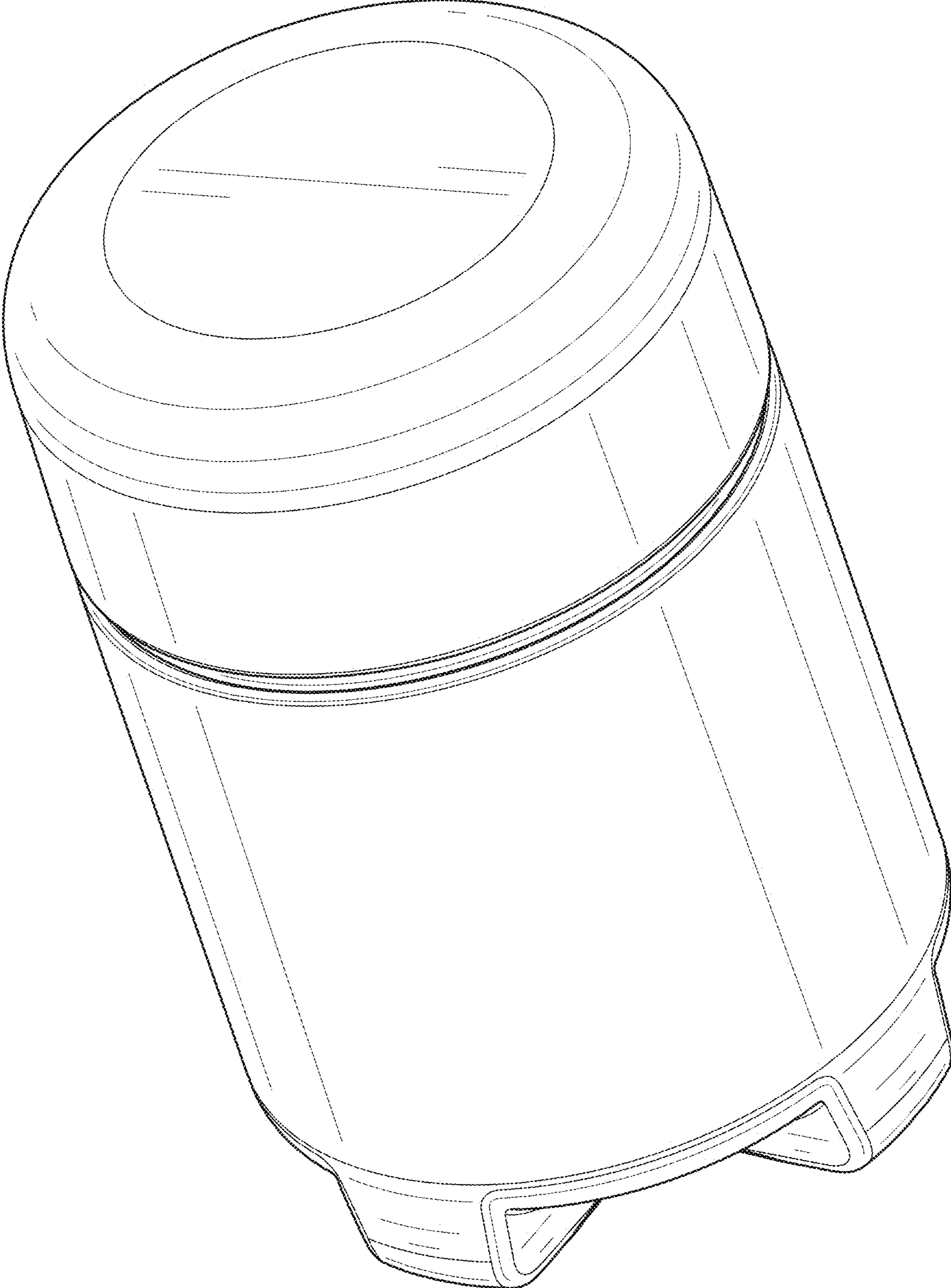


FIG. 1

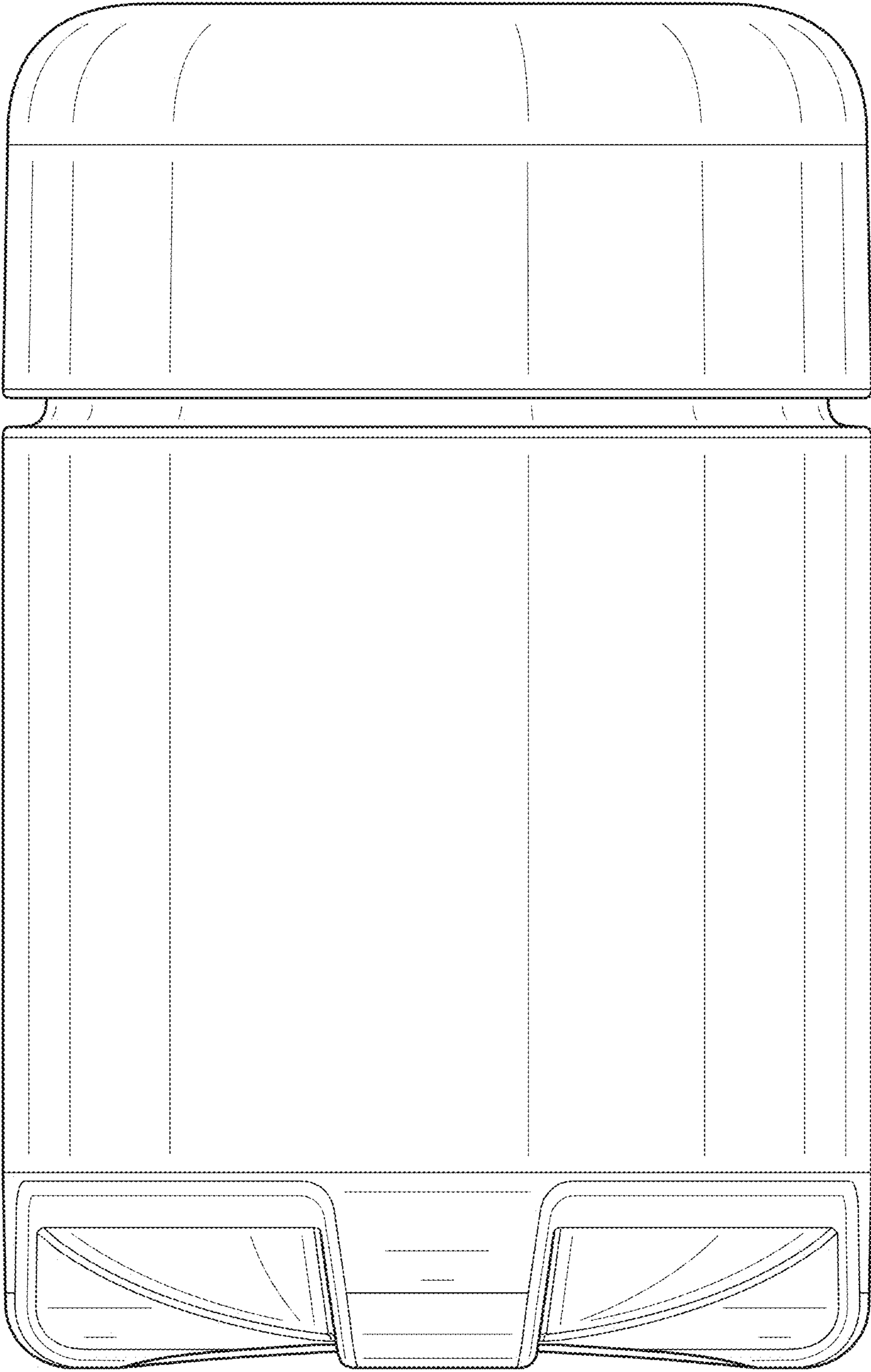


FIG. 2

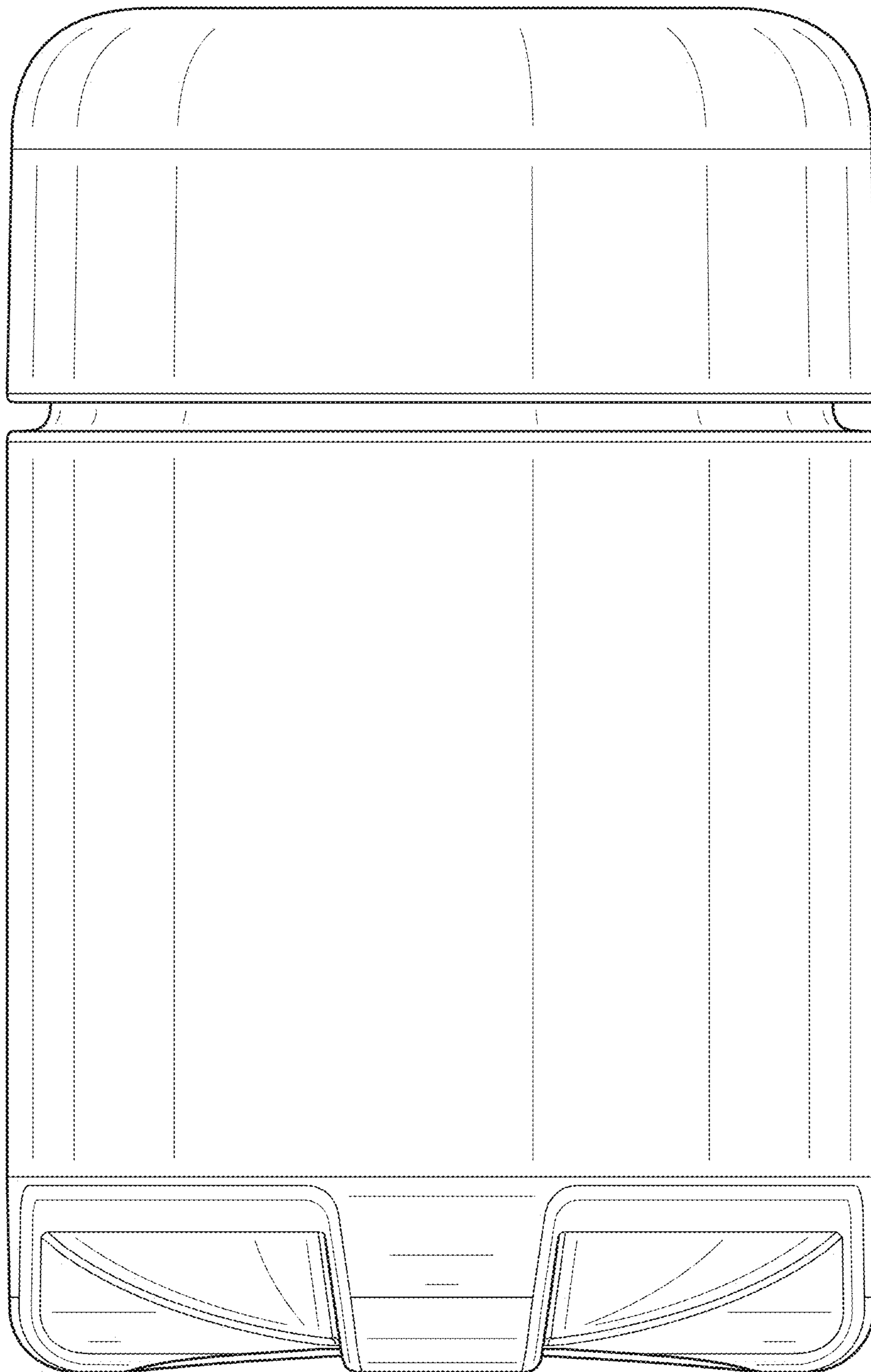


FIG. 3

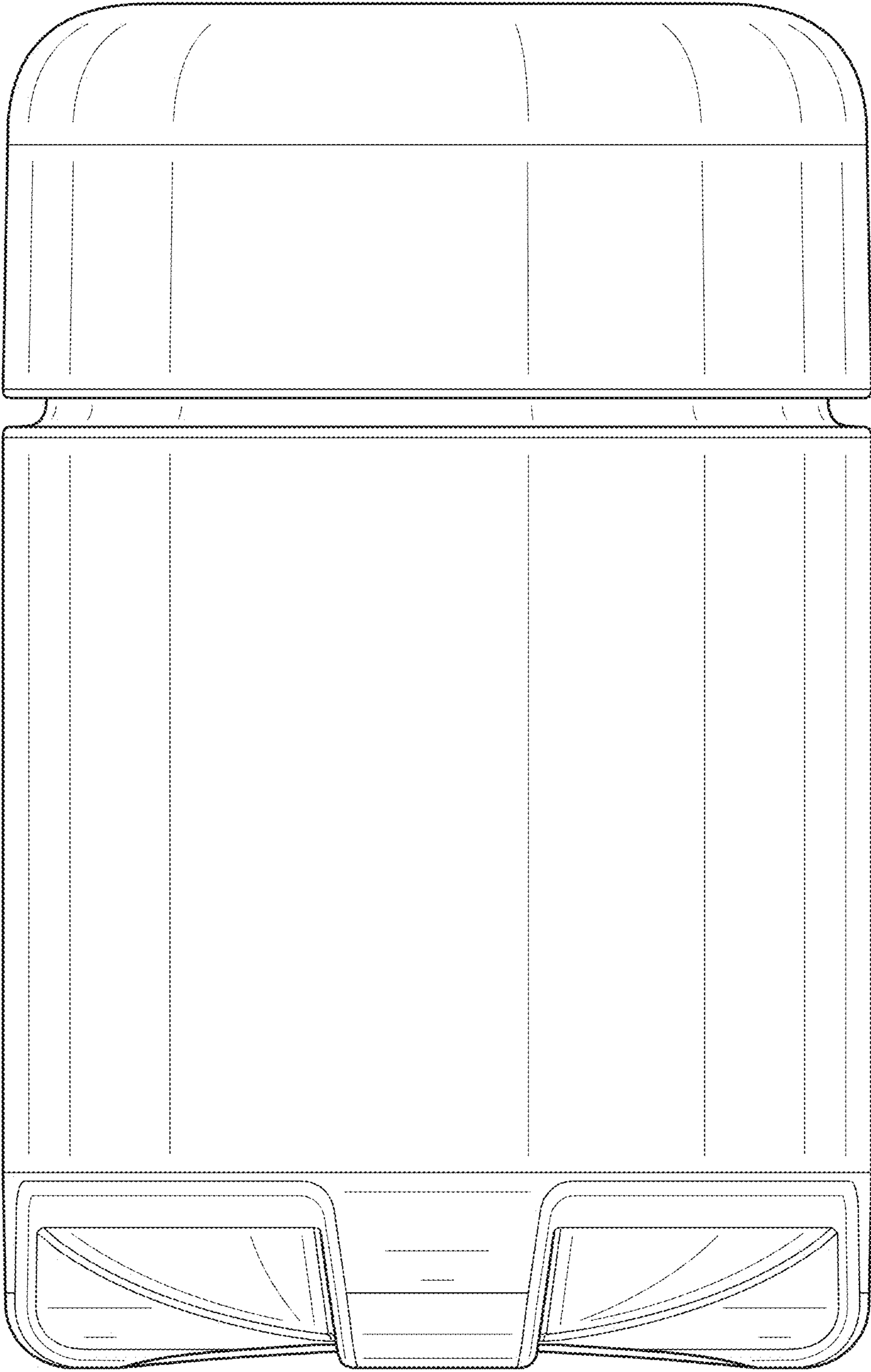


FIG. 4

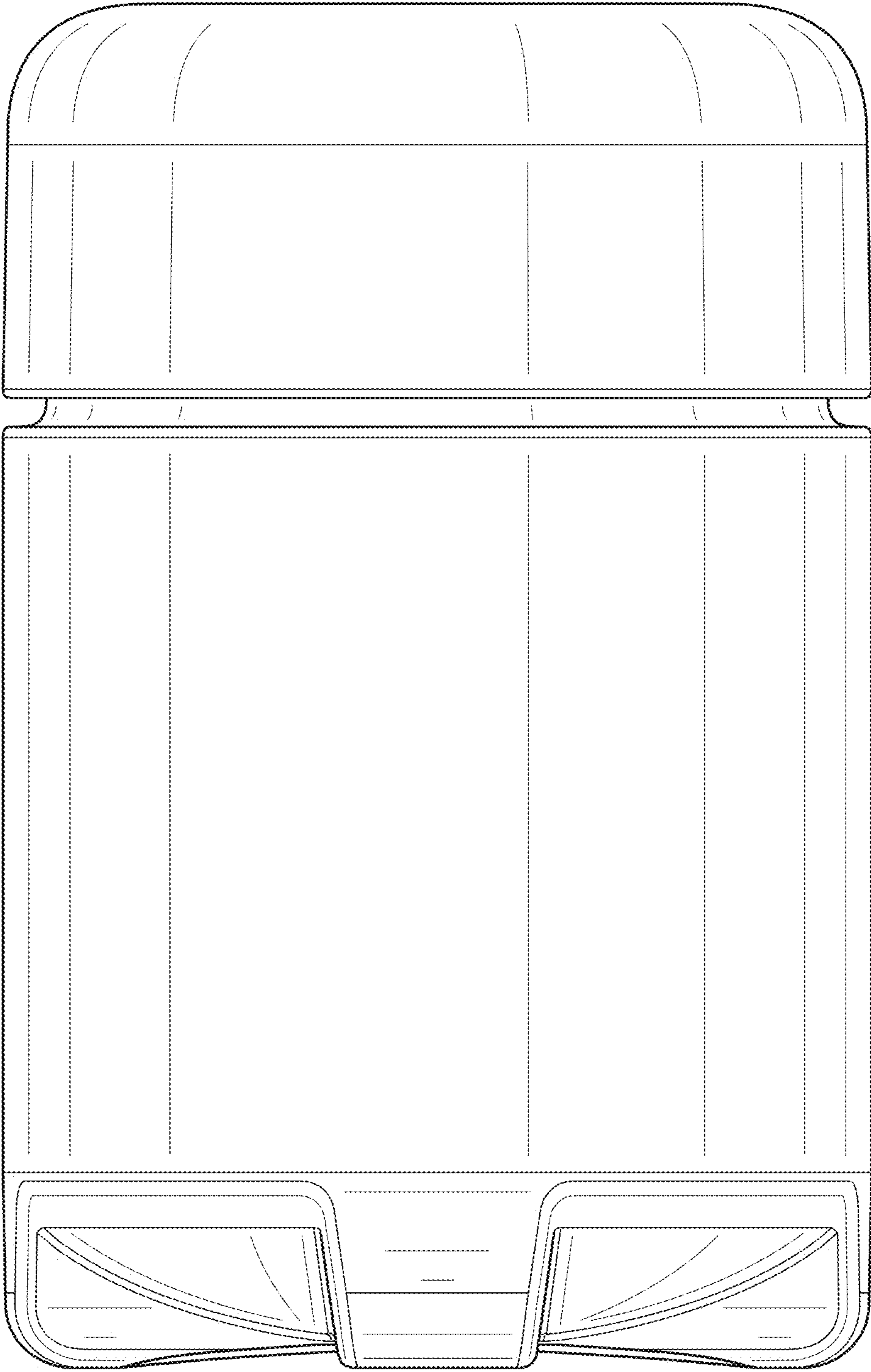


FIG. 5

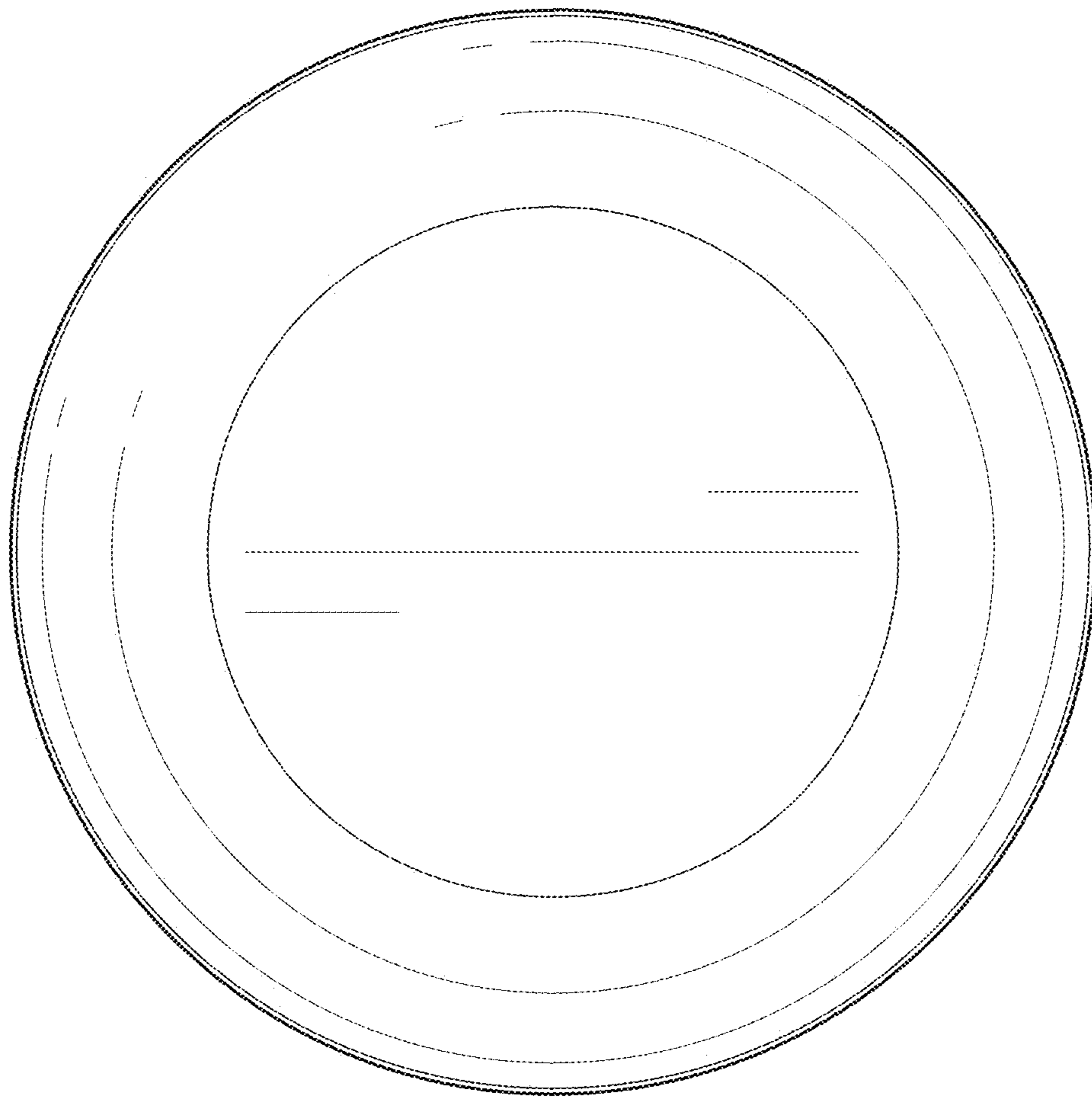


FIG. 6

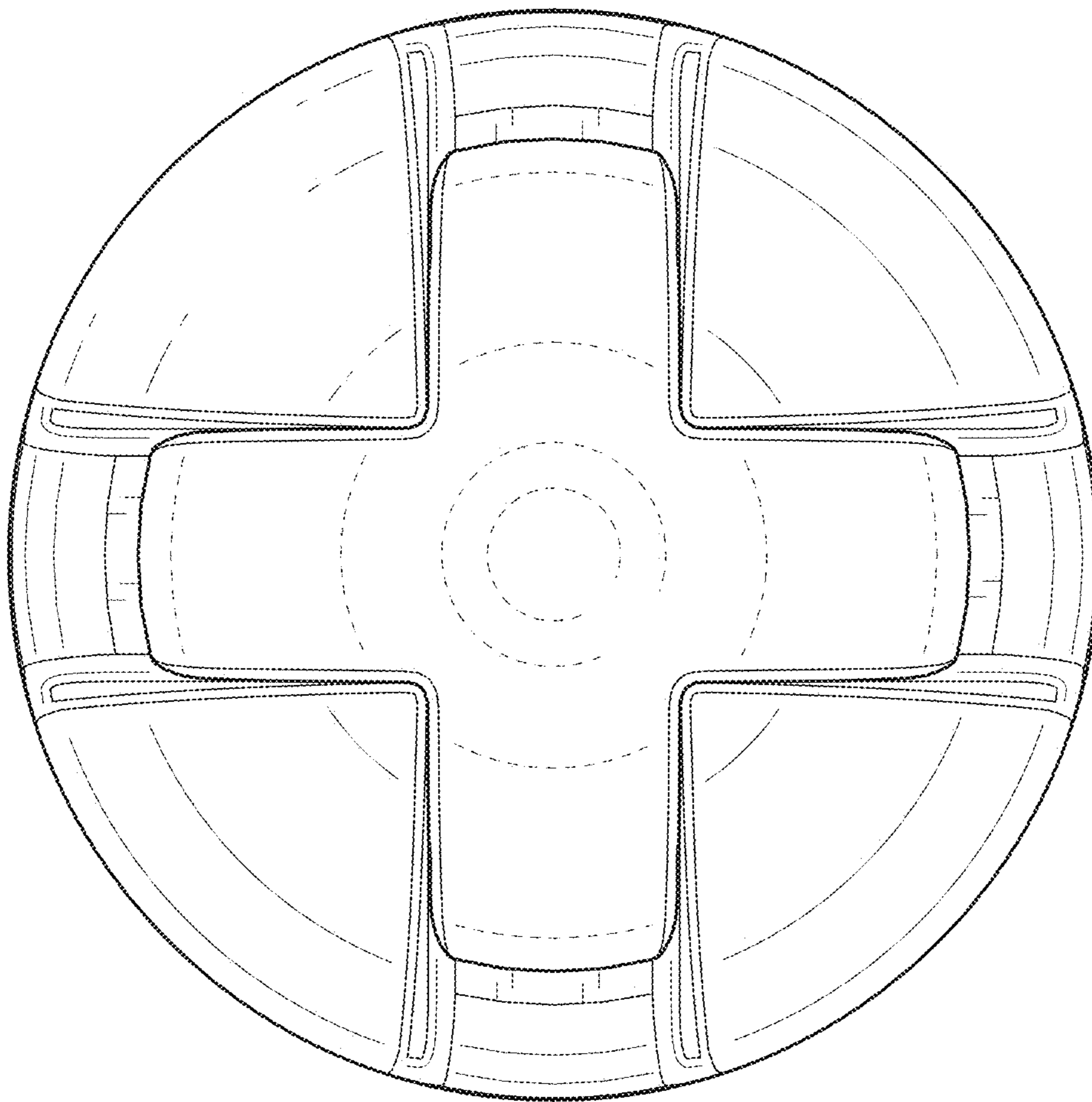


FIG. 7