



US00D932297S

(12) **United States Design Patent**  
**McGrath**

(10) **Patent No.:** **US D932,297 S**

(45) **Date of Patent:** **\*\* Oct. 5, 2021**

(54) **PALETTE BOX**

(71) Applicant: **Pat McGrath Cosmetics LLC**, New York, NY (US)

(72) Inventor: **Patricia McGrath**, New York, NY (US)

(73) Assignee: **Pat McGrath Cosmetics LLC**, New York, NY (US)

(\*\*) Term: **15 Years**

(21) Appl. No.: **29/659,587**

(22) Filed: **Aug. 9, 2018**

(51) **LOC (13) Cl.** ..... **09-03**

(52) **U.S. Cl.**  
USPC ..... **D9/432; D9/420**

(58) **Field of Classification Search**  
USPC ..... D9/414, 415, 416, 432, 433, 715, 721  
CPC ..... B65D 5/22; B65D 5/4245; B65D 2571/0066; B65D 5/6652; B65D 25/04; B65D 5/42; B65D 5/4279; B65D 5/28; B65D 85/00; B65D 5/4233; B65D 5/425; B65D 5/4216; B65D 63/10; B65D 55/06; B65D 5/6611; B65D 21/0204; B65D 21/0208

See application file for complete search history.

(56) **References Cited**

**U.S. PATENT DOCUMENTS**

- 2,339,691 A \* 1/1944 Fellowes ..... B42F 17/02 229/125.38
- D285,660 S \* 9/1986 Cronsioe ..... D9/420
- 5,222,657 A \* 6/1993 Holland, Jr. .... A63F 3/00895 206/459.5
- D447,687 S \* 9/2001 Roby ..... D9/422
- D709,364 S \* 7/2014 Olsson ..... D9/432
- D758,851 S \* 6/2016 Binder ..... D9/432
- D765,502 S \* 9/2016 Irek ..... D9/418
- D828,156 S \* 9/2018 Perella ..... D9/432

- D831,478 S \* 10/2018 Moon ..... D9/432
- D831,480 S \* 10/2018 Arazi ..... D9/433
- D833,734 S \* 11/2018 Binder ..... D3/203.6
- D850,908 S \* 6/2019 Perella ..... D9/432

(Continued)

*Primary Examiner* — Lauren R Calve

(74) *Attorney, Agent, or Firm* — Ziegler IP Law Group, LLC

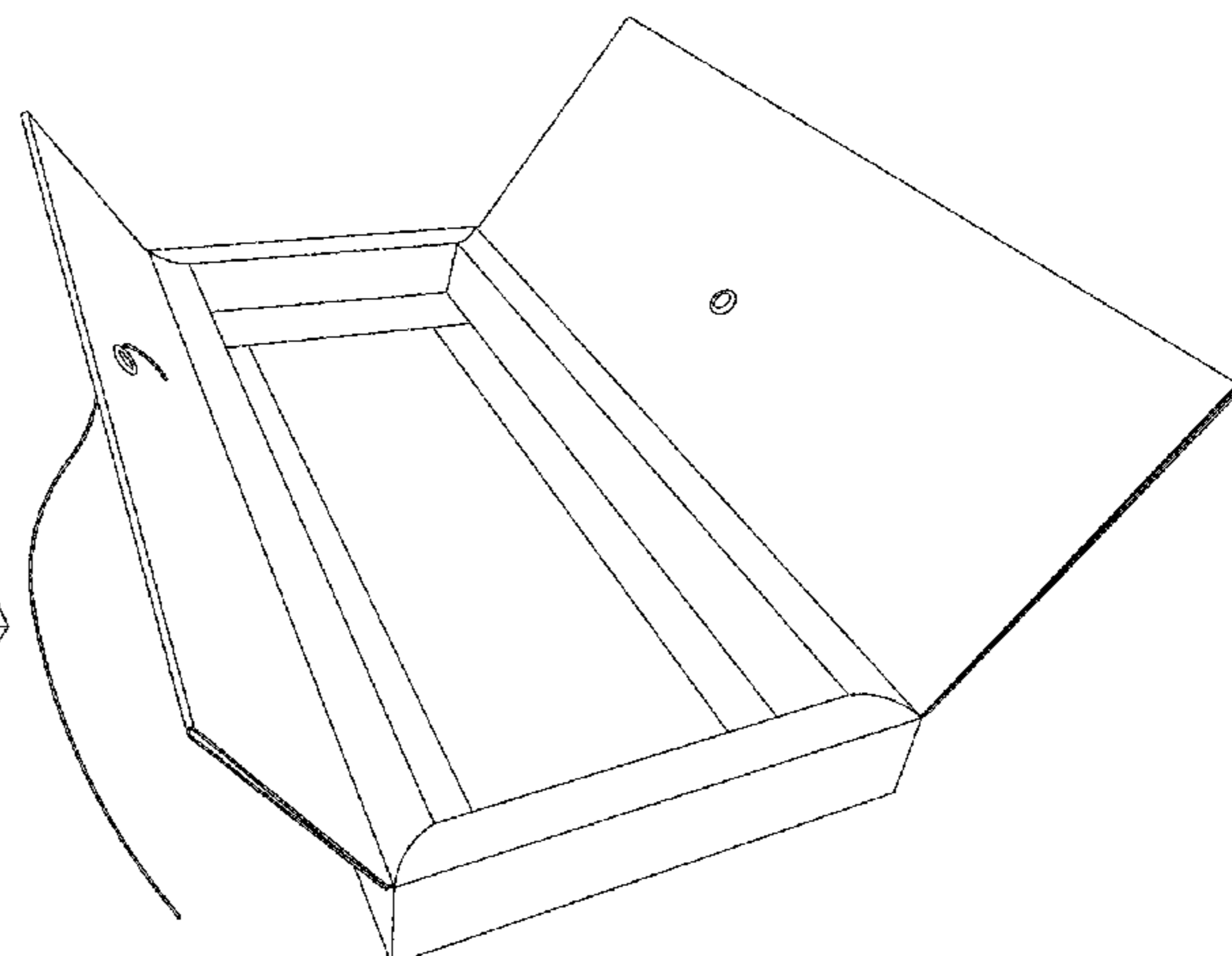
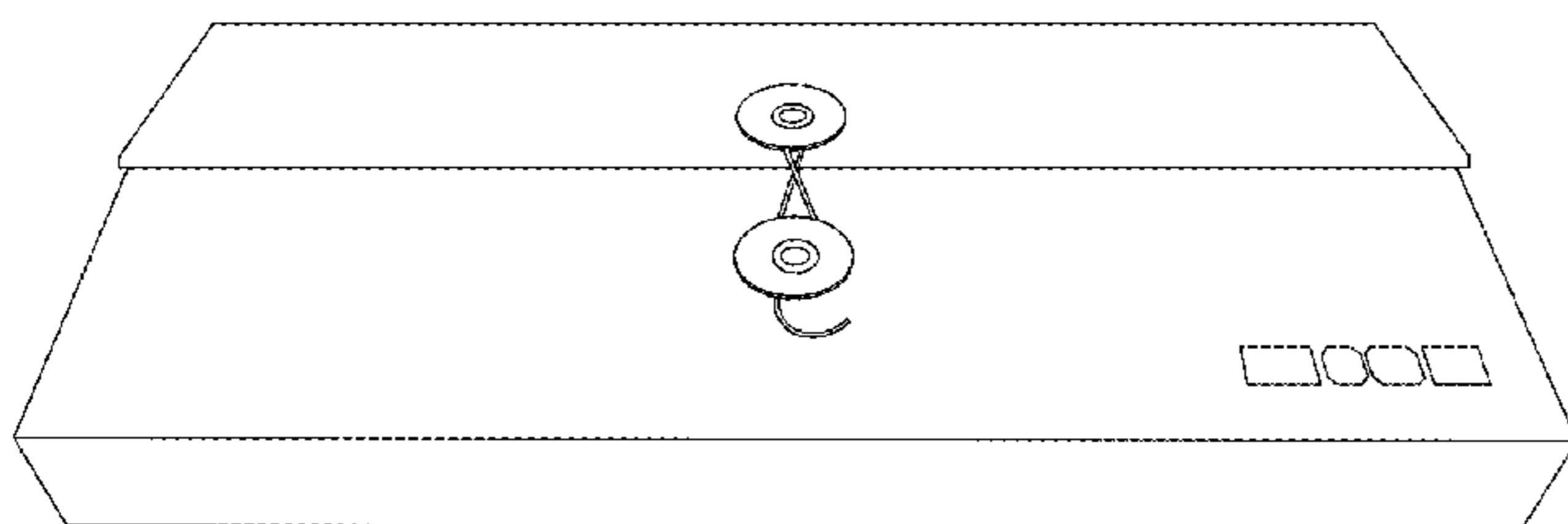
(57) **CLAIM**

The ornamental design for a palette box, as shown and described.

**DESCRIPTION**

FIG. 1 is a top perspective view of a first embodiment of a palette box showing the new design;  
 FIG. 2 is a top perspective view with the palette box in a partially open state;  
 FIG. 3 is a top view of FIG. 1 thereof;  
 FIG. 4 is a bottom view thereof;  
 FIG. 5 is a front view thereof;  
 FIG. 6 is a back view thereof;  
 FIG. 7 is a side view thereof;  
 FIG. 8 is an opposite side view thereof;  
 FIG. 9 is a perspective view of the palette box in an open state.  
 FIG. 10 is a top perspective view of a second embodiment of a palette box showing the new design;  
 FIG. 11 is a top perspective view with the palette box in a partially open state;  
 FIG. 12 is a top view of FIG. 10;  
 FIG. 13 is a bottom view thereof;  
 FIG. 14 is a front view thereof;  
 FIG. 15 is a back view thereof;  
 FIG. 16 is a side view thereof;  
 FIG. 17 is an opposite side view thereof; and,  
 FIG. 18 is a perspective view of the palette box in an open state.

**1 Claim, 18 Drawing Sheets**



(56)

**References Cited**

U.S. PATENT DOCUMENTS

2009/0095800 A1\* 4/2009 Tao ..... B65D 5/445  
229/117.03

\* cited by examiner

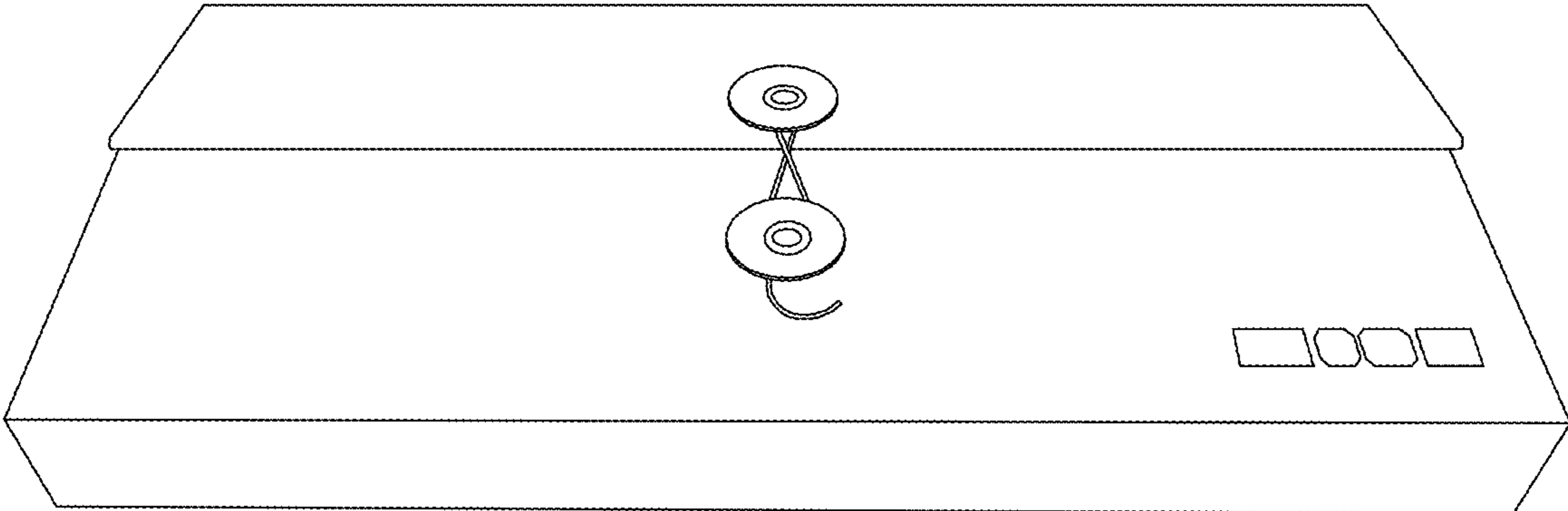


FIG. 1

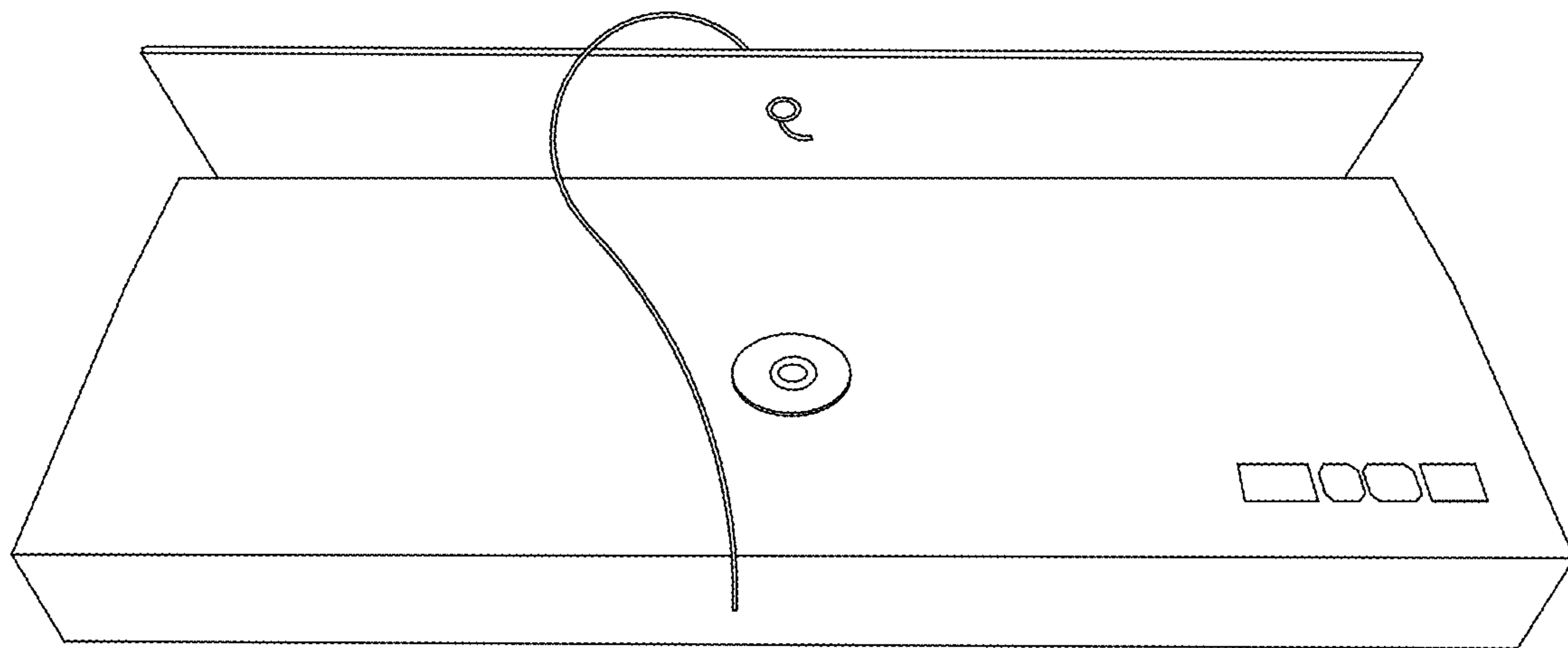


FIG. 2

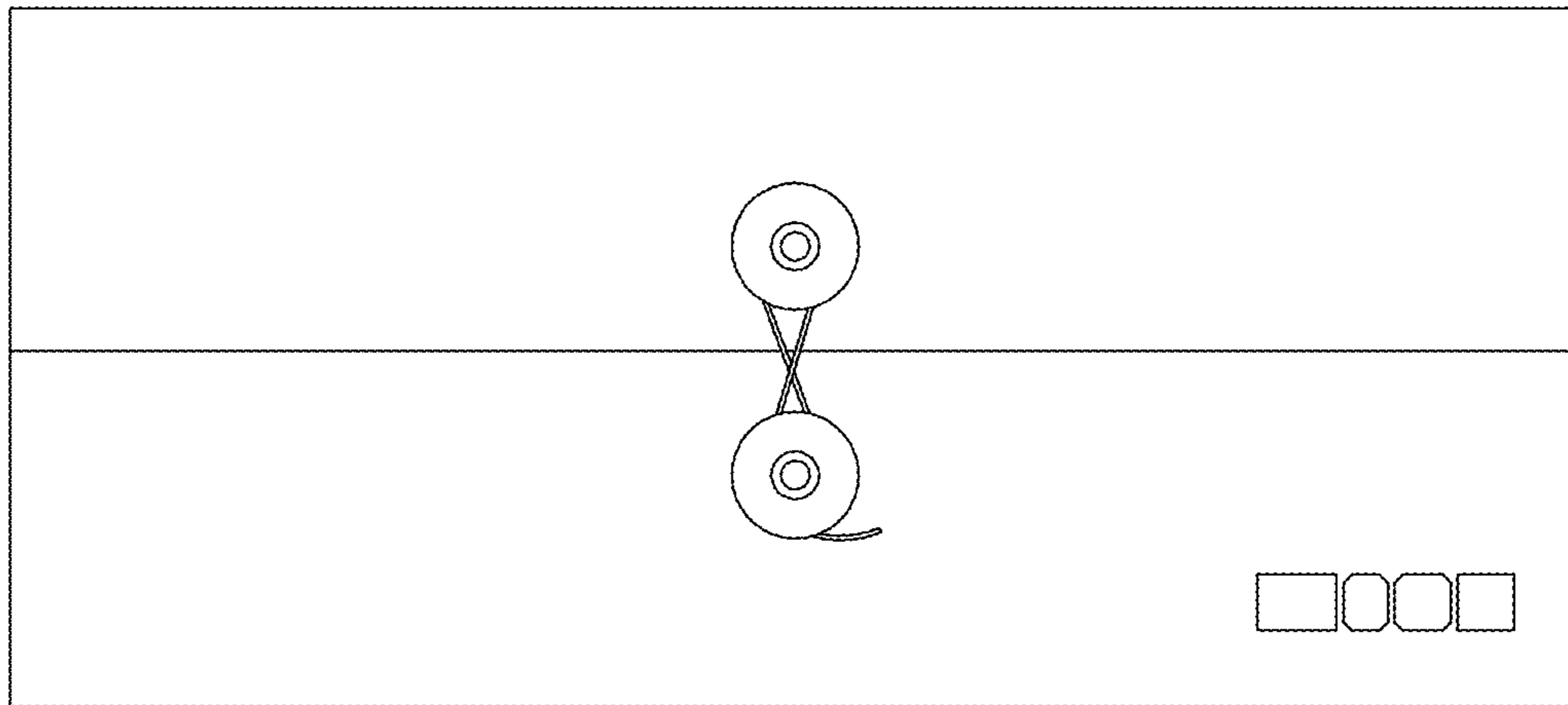


FIG. 3

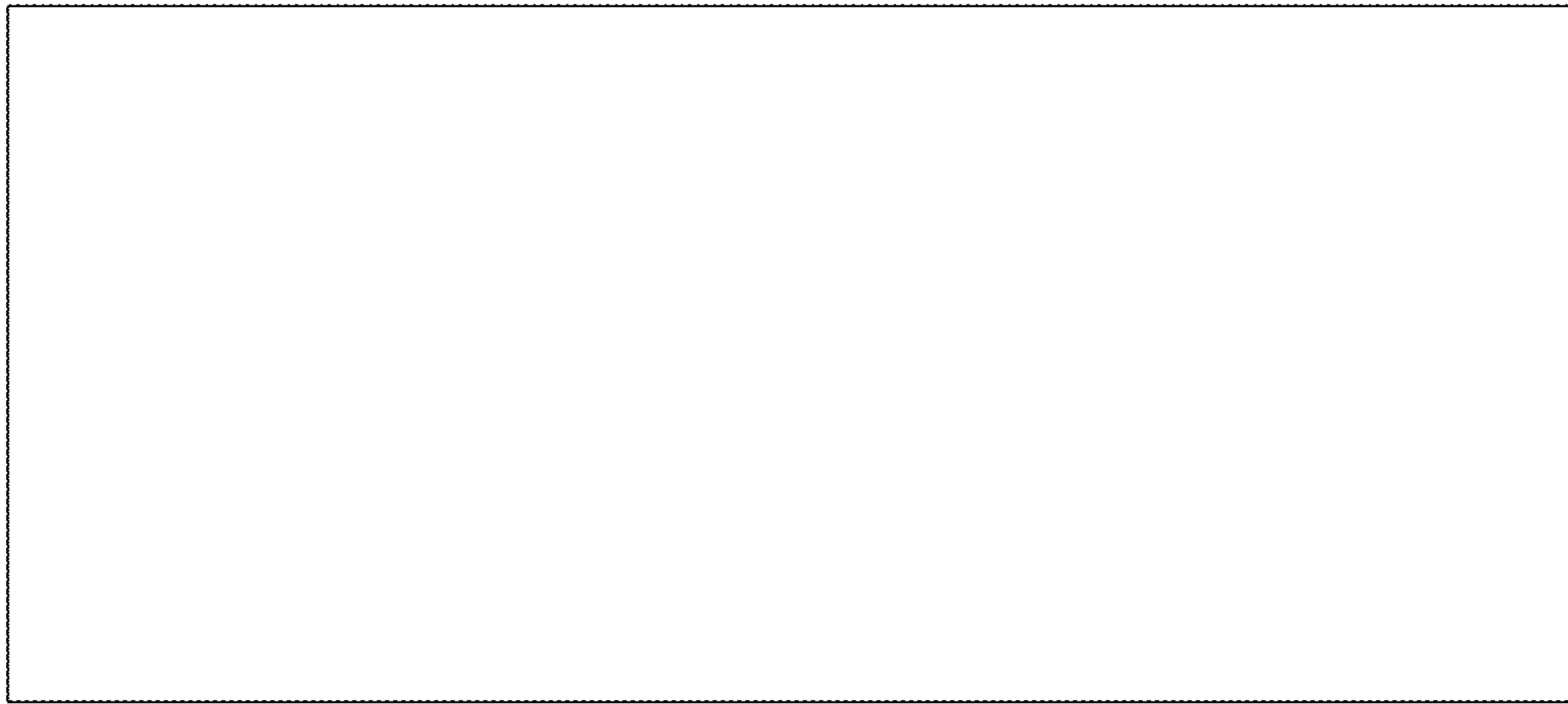


FIG. 4

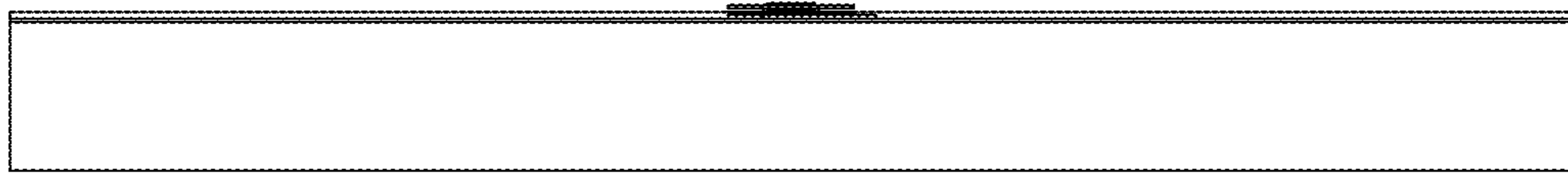


FIG. 5



FIG. 6



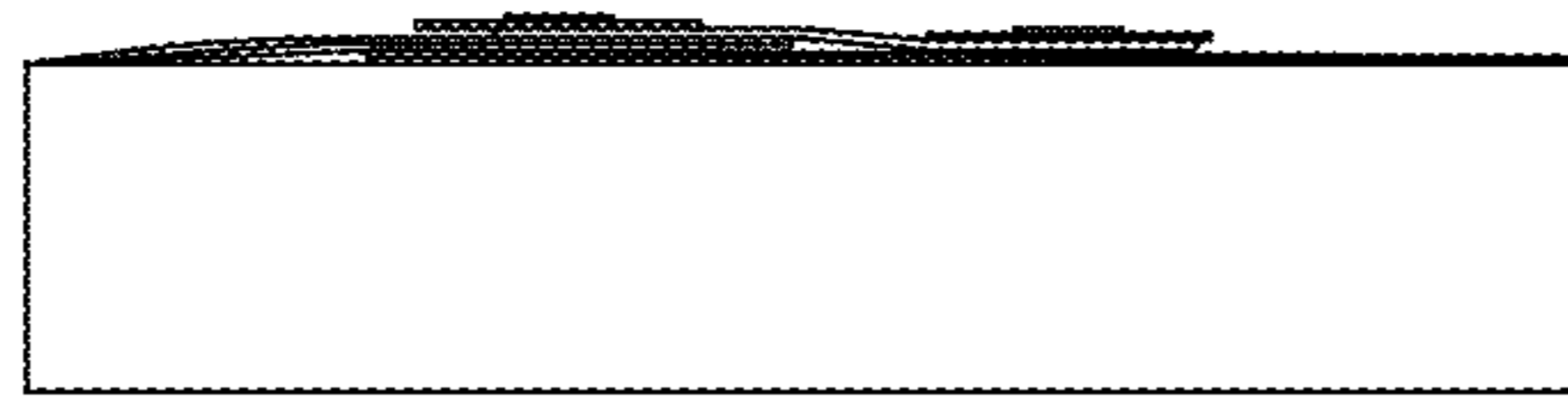


FIG. 7

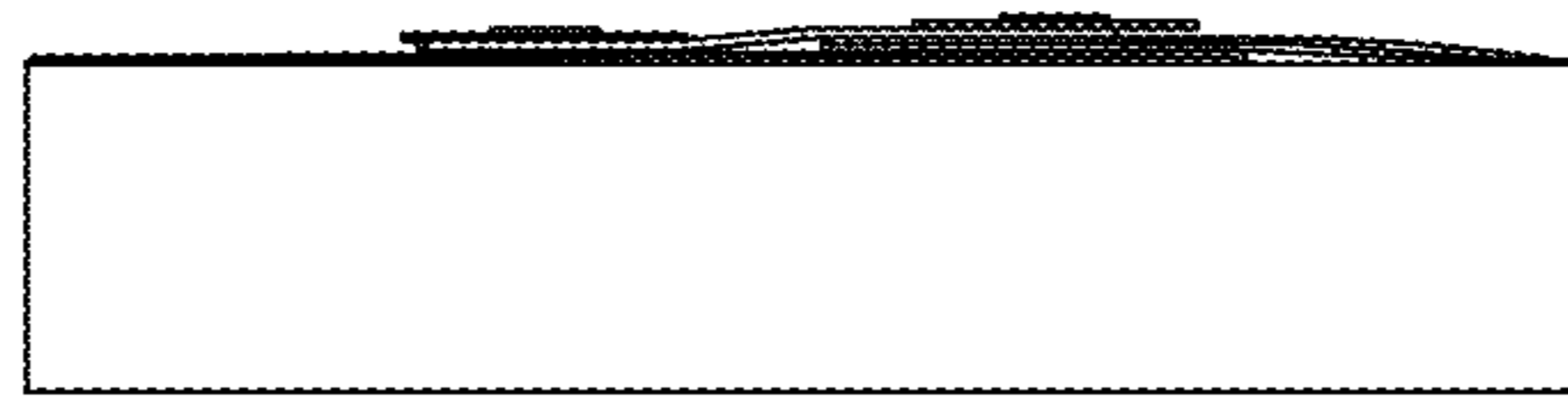


FIG. 8

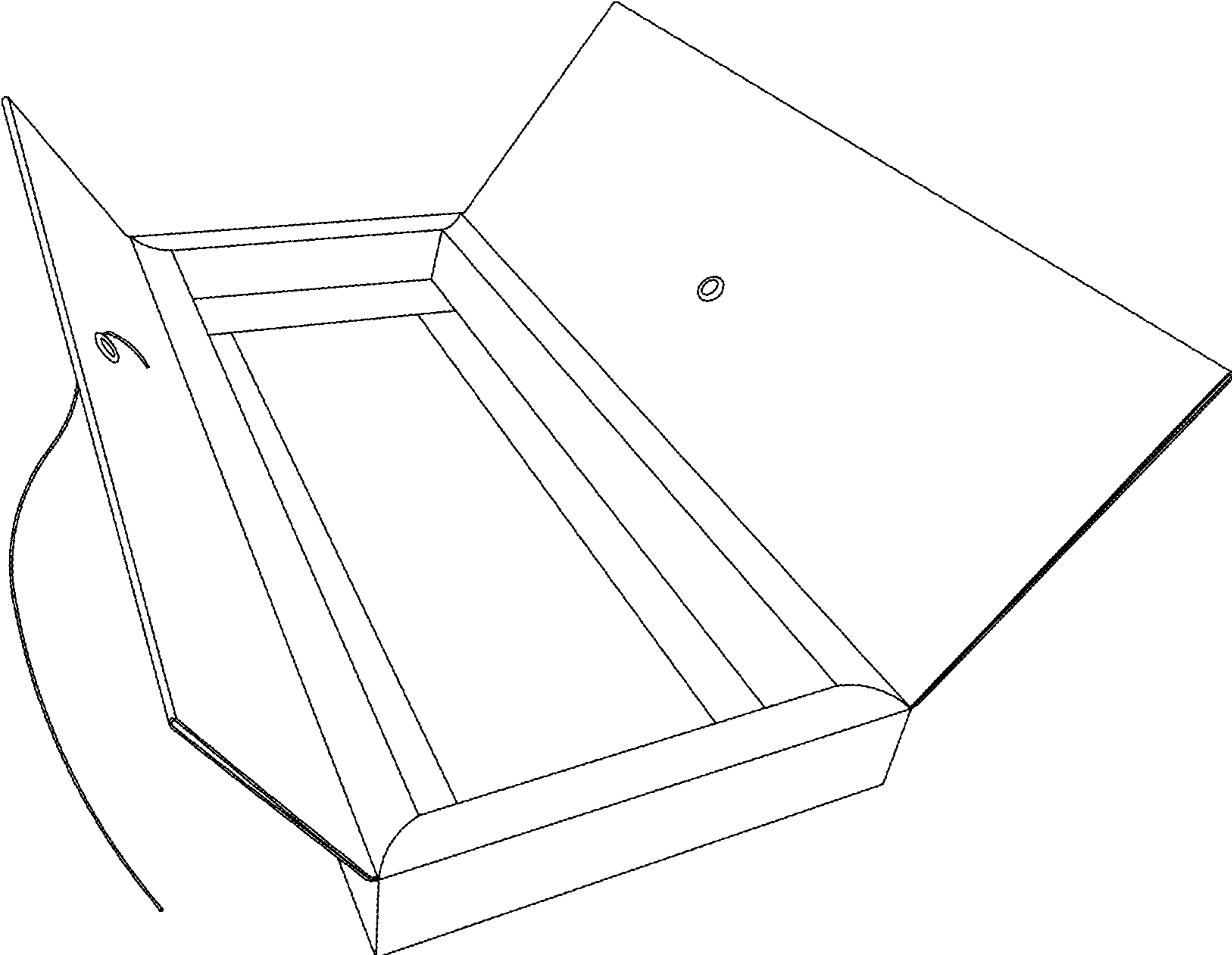


FIG. 9

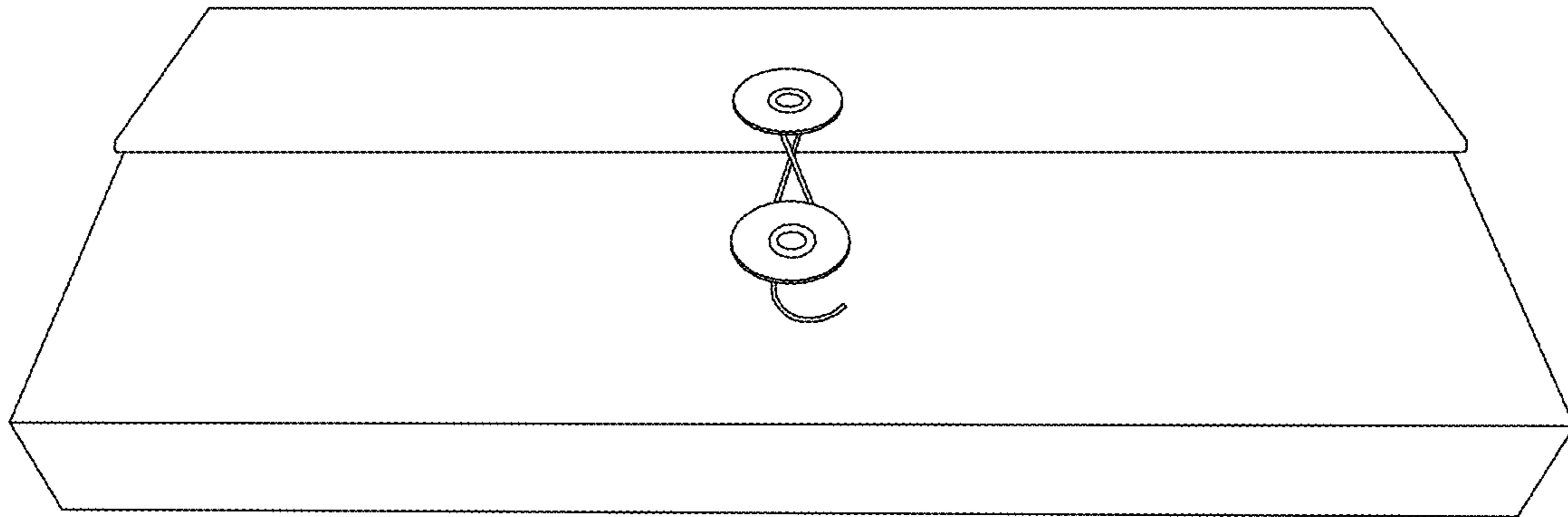


FIG. 10

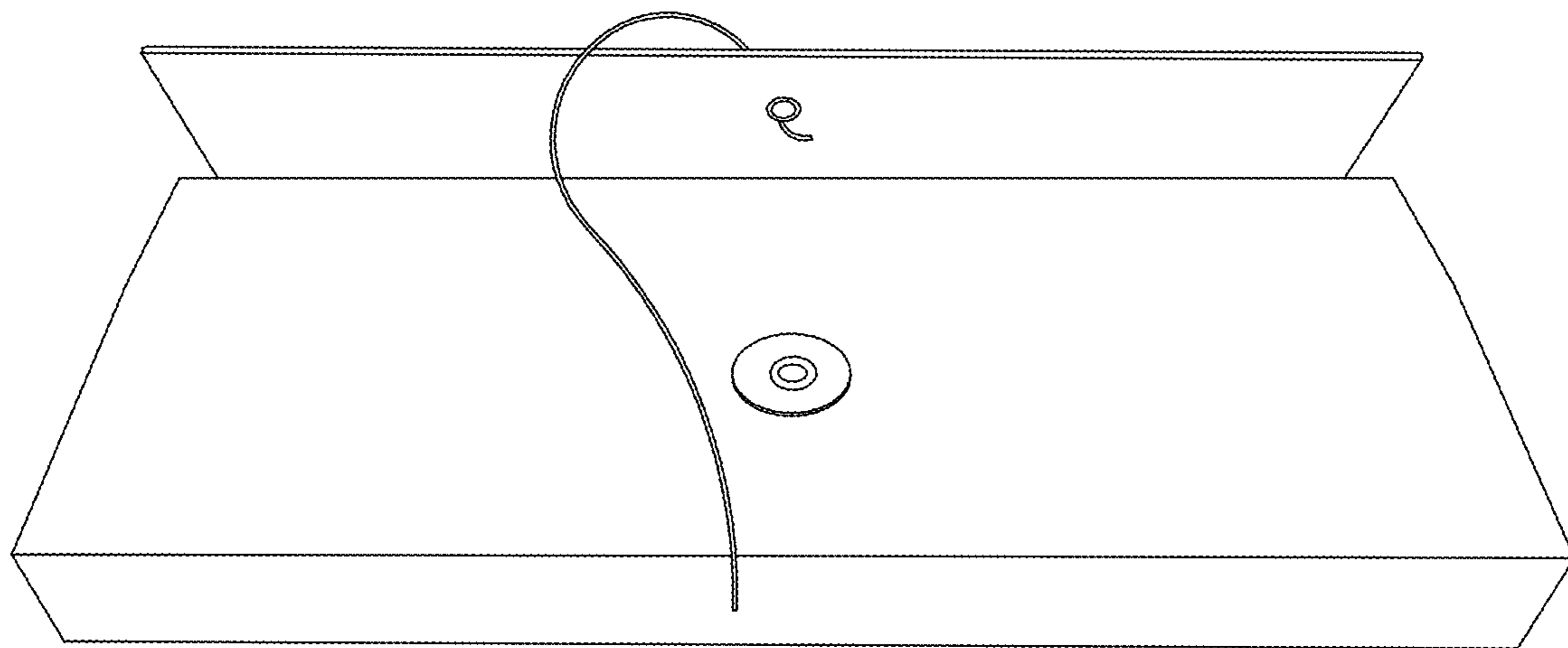


FIG. 11

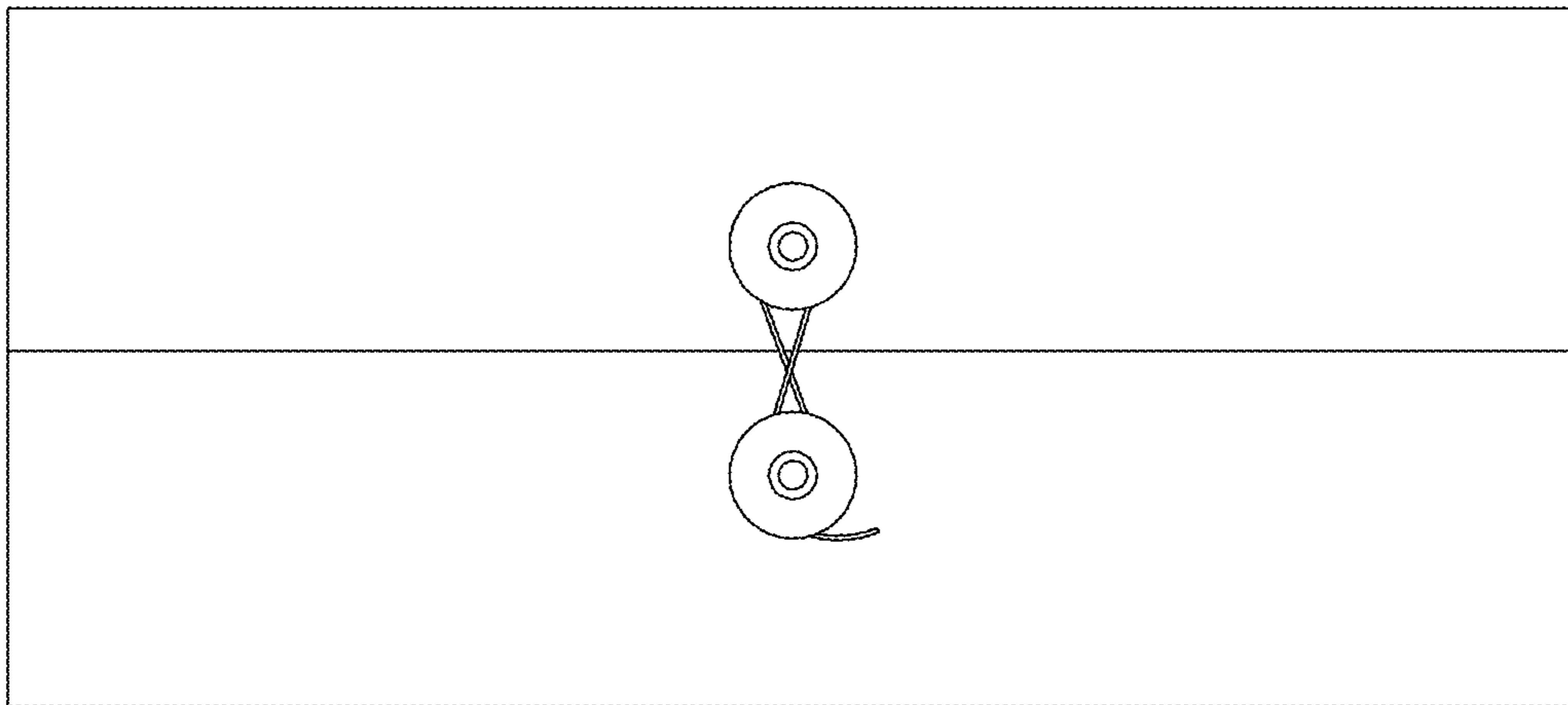


FIG. 12

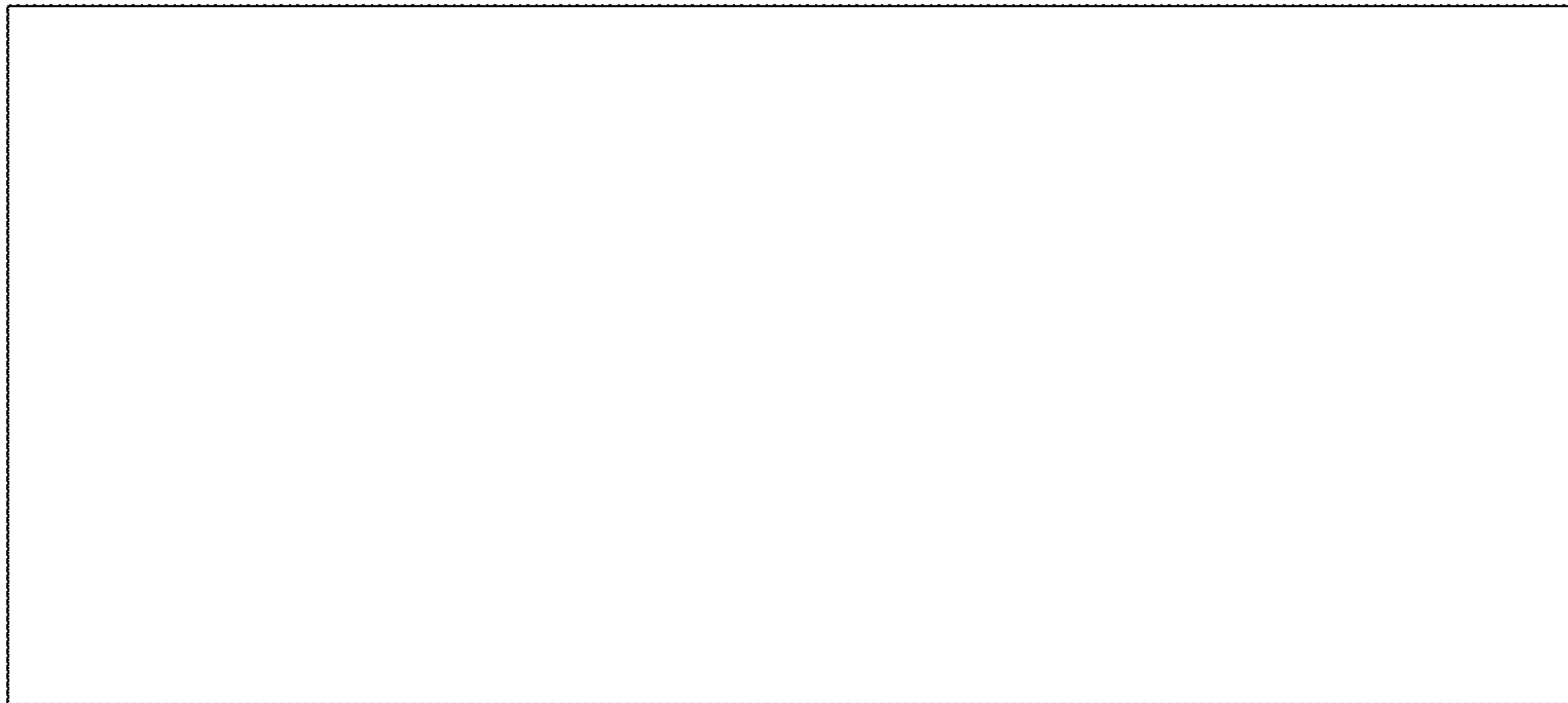


FIG. 13

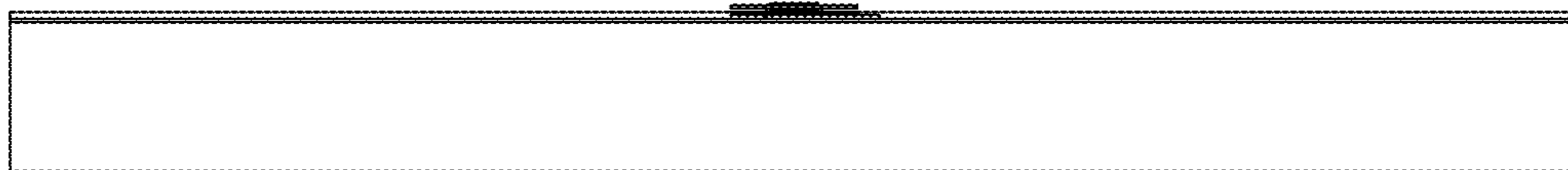


FIG. 14





FIG. 15

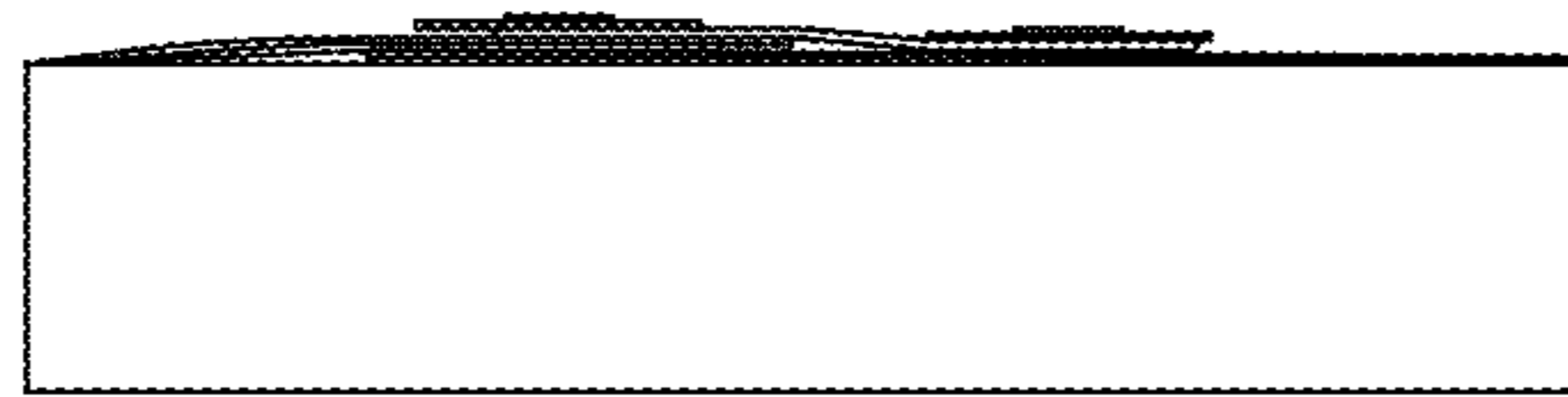


FIG. 16

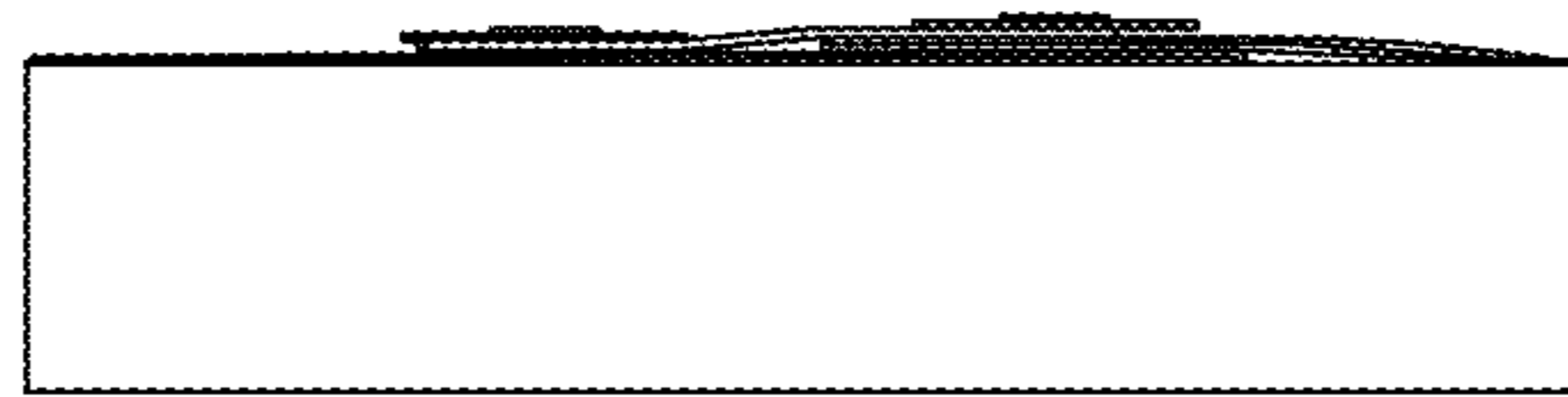


FIG. 17

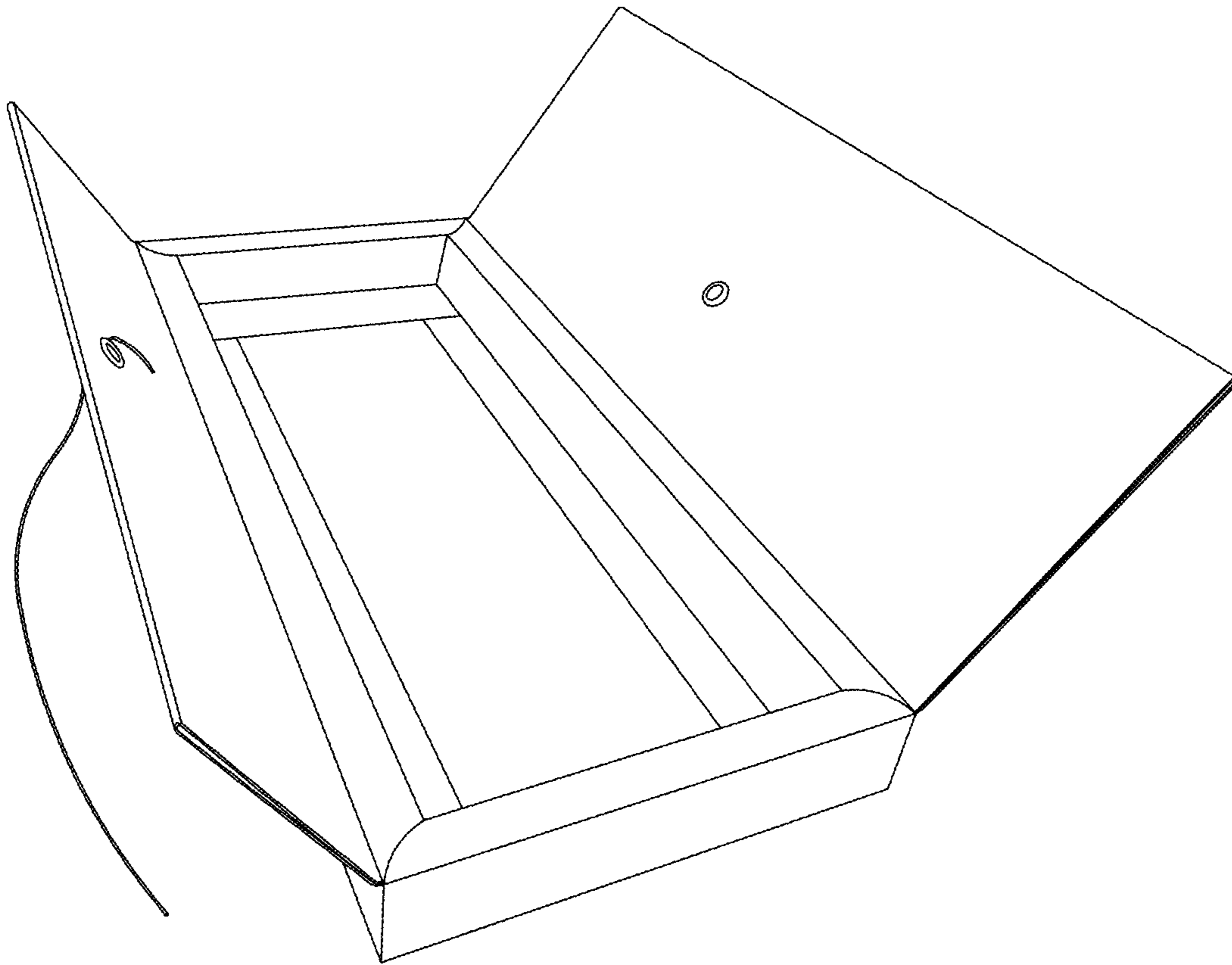


FIG. 18