



US00D932294S

(12) **United States Design Patent** (10) **Patent No.:** **US D932,294 S**  
**Baril** (45) **Date of Patent:** **\*\* Oct. 5, 2021**

(54) **SURFACE PROTECTOR**  
(71) Applicant: **Jeffrey M. Baril**, Billerica, MA (US)  
(72) Inventor: **Jeffrey M. Baril**, Billerica, MA (US)  
(\*\*) Term: **15 Years**  
(21) Appl. No.: **29/673,279**  
(22) Filed: **Dec. 13, 2018**  
(51) **LOC (13) Cl.** ..... **08-09**  
(52) **U.S. Cl.**  
USPC ..... **D8/402**  
(58) **Field of Classification Search**  
USPC ..... D8/380, 381, 400, 402, 499  
CPC .... E04F 19/026; E04F 11/1804; A47B 95/00;  
A47B 97/00  
See application file for complete search history.

D743,852 S \* 11/2015 Rouzaud ..... D12/167  
D772,695 S 11/2016 Burge  
D772,696 S 11/2016 Burge  
D783,386 S 4/2017 Collins, IV  
D816,822 S \* 5/2018 Lane ..... D23/366  
D821,191 S \* 6/2018 Hancock ..... D8/402  
D829,091 S \* 9/2018 Hancock ..... D8/402  
D879,599 S \* 3/2020 Cantwell ..... D8/402  
D918,705 S \* 5/2021 Lee ..... D8/402  
D918,706 S \* 5/2021 Lee ..... D8/402  
2004/0129186 A1 7/2004 Curiger  
2004/0221539 A1 11/2004 Rouail  
2008/0135567 A1\* 6/2008 McGee ..... A47B 97/00  
220/694  
2012/0023707 A1\* 2/2012 Edwards ..... B62B 15/00  
16/42 R

(Continued)

**OTHER PUBLICATIONS**

Wall Saver for Pressure Gates by Safety Innovations, 2-pack, website: <https://archive.org/www.safebeginnings.com> Sep. 30, 2010.

*Primary Examiner* — John Windmuller  
(74) *Attorney, Agent, or Firm* — Thomas P. O’Connell;  
O’Connell Law Firm

(56) **References Cited**  
U.S. PATENT DOCUMENTS

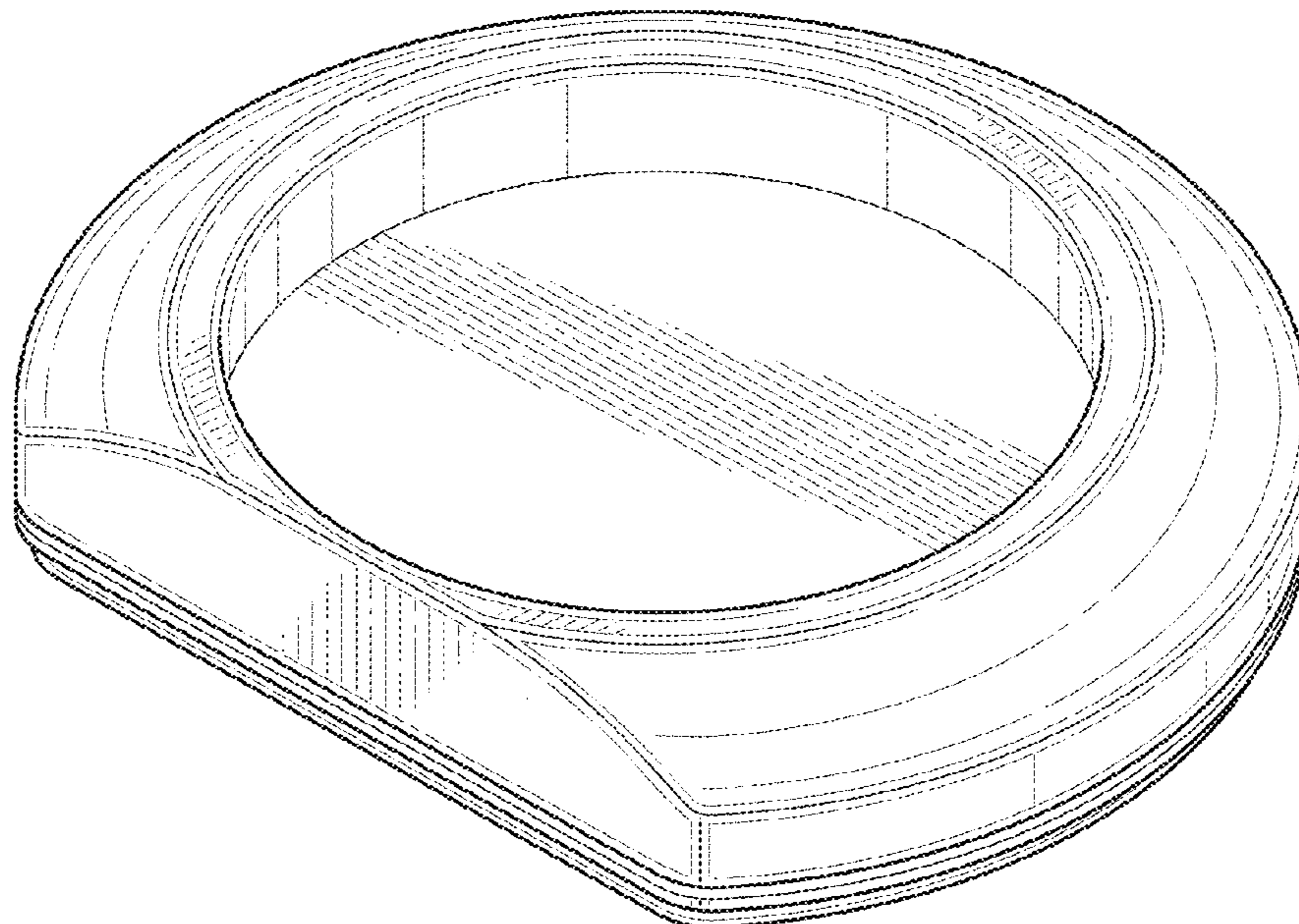
D89,325 S 2/1933 Wolfman  
D122,800 S \* 10/1940 Mann et al. .... D8/402  
D235,620 S 7/1975 Forseth  
D240,173 S \* 6/1976 Young ..... D6/331  
D288,291 S \* 2/1987 Angle ..... D8/350  
D288,525 S 3/1987 Angle  
D324,170 S 2/1992 Owens et al.  
D352,889 S \* 11/1994 Crowther ..... D8/400  
D356,274 S \* 3/1995 Ross ..... D10/104.1  
D368,022 S 3/1996 Angle  
D379,922 S 6/1997 Adams  
D403,750 S 1/1999 Fabian  
D412,106 S 7/1999 Kennard, IV  
D481,652 S 11/2003 Kamysiak  
6,938,966 B1 9/2005 Rouwhorst  
D552,981 S \* 10/2007 Yamaguchi ..... D8/402  
D553,487 S \* 10/2007 Quan ..... D8/402  
D668,138 S \* 10/2012 Aquil ..... D8/402  
D741,690 S \* 10/2015 Collins, IV ..... D8/354

(57) **CLAIM**  
The ornamental design for a surface protector, as shown.

**DESCRIPTION**

FIG. 1 is a perspective view of a surface protector showing my new design;  
FIG. 2 is a top plan view thereof;  
FIG. 3 is a bottom plan view thereof;  
FIG. 4 is a view in front elevation thereof;  
FIG. 5 is a view in rear elevation thereof;  
FIG. 6 is a view in left side elevation thereof; and,  
FIG. 7 is a view in right side elevation thereof.

**1 Claim, 3 Drawing Sheets**



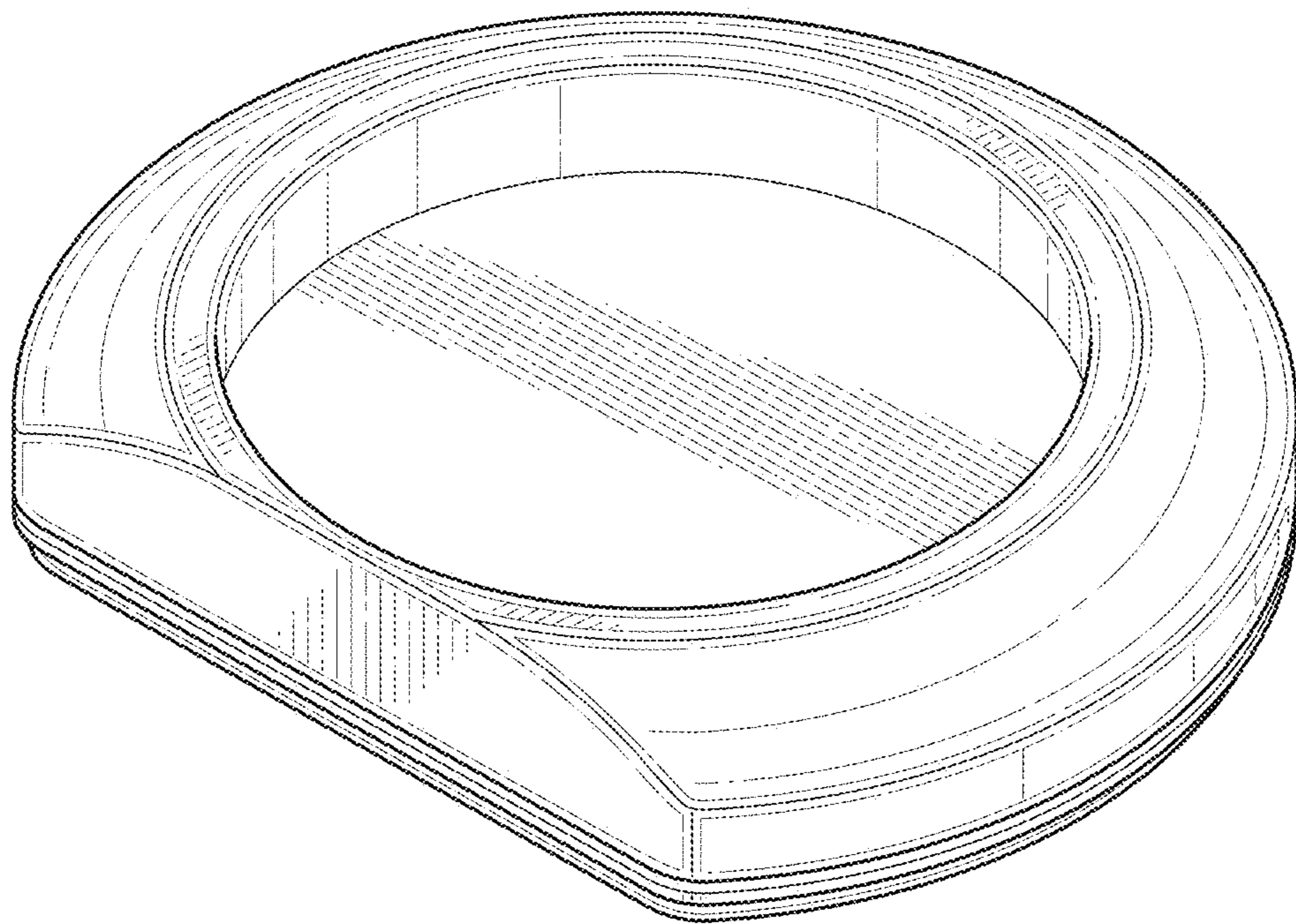
(56)

**References Cited**

U.S. PATENT DOCUMENTS

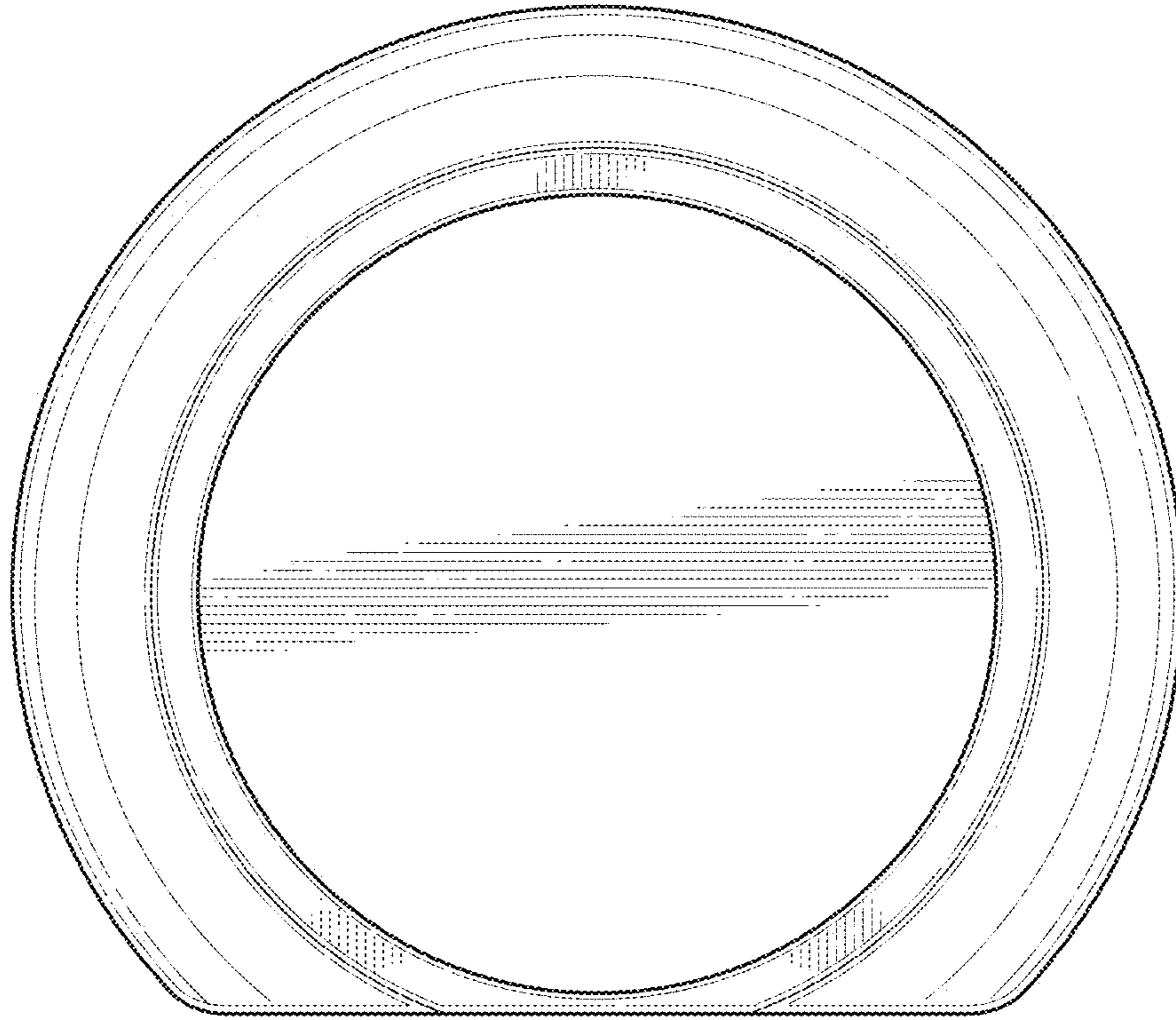
2016/0352054 A1 12/2016 Xiang et al.  
2017/0231399 A1 8/2017 Backus, III

\* cited by examiner

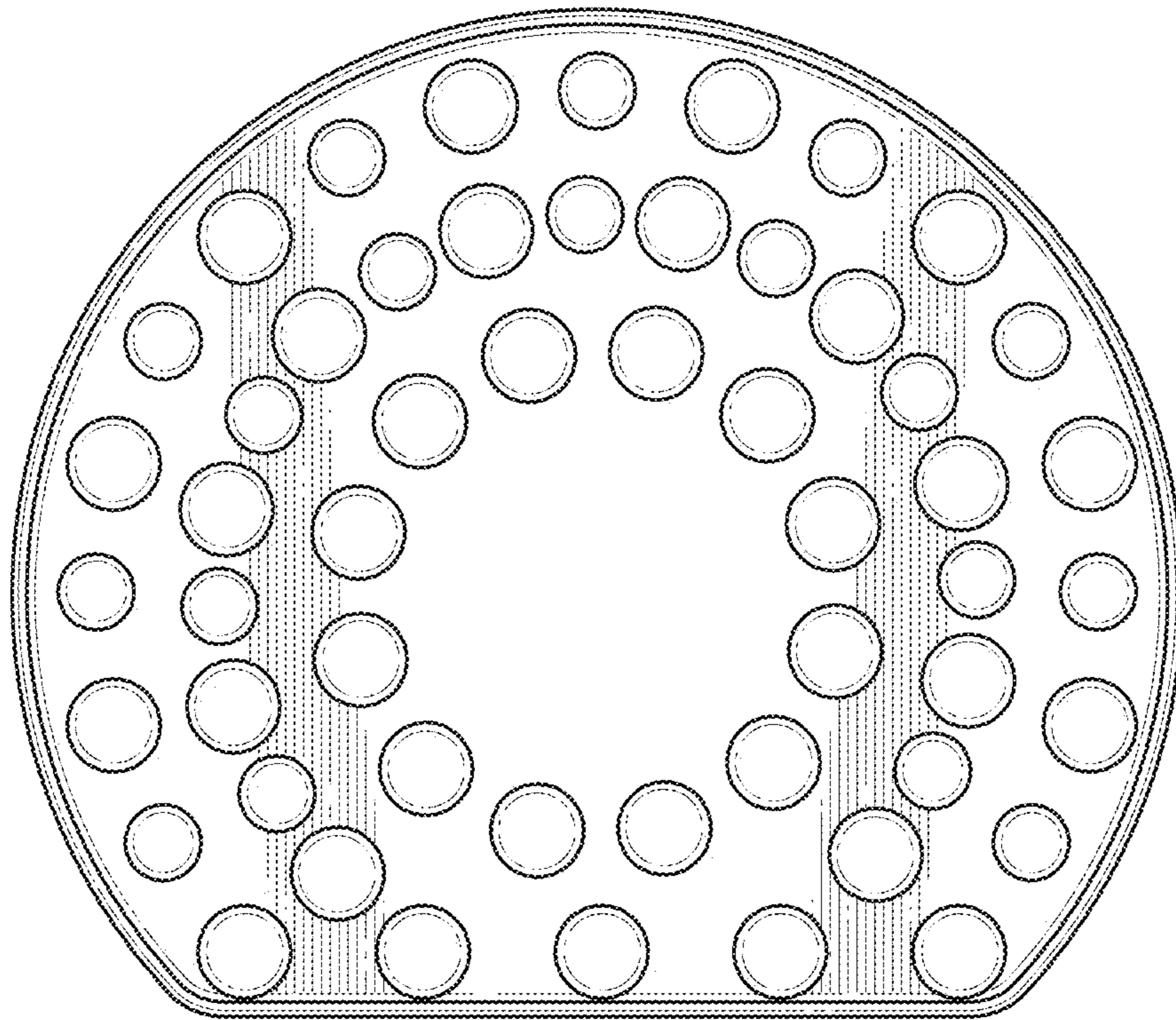


**FIG. 1**

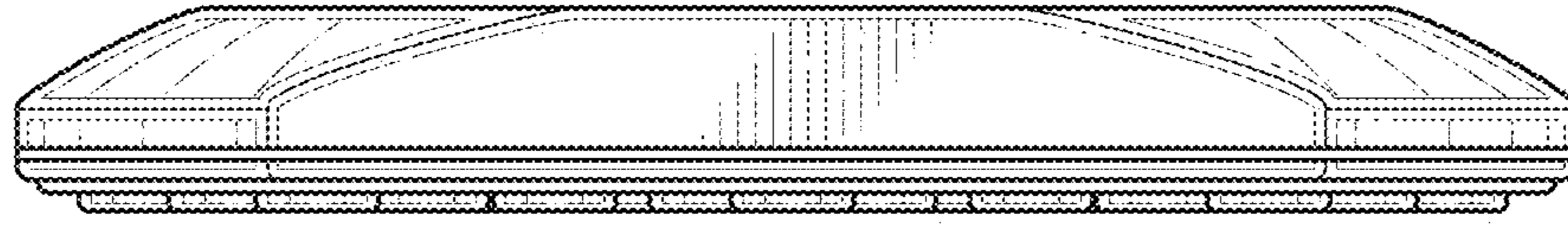




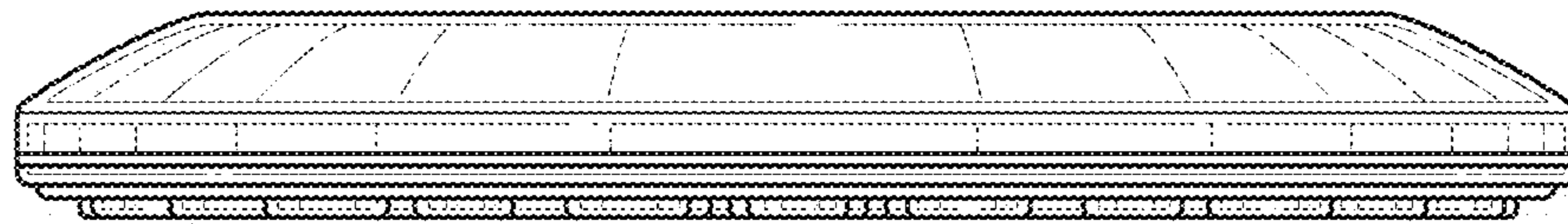
**FIG. 2**



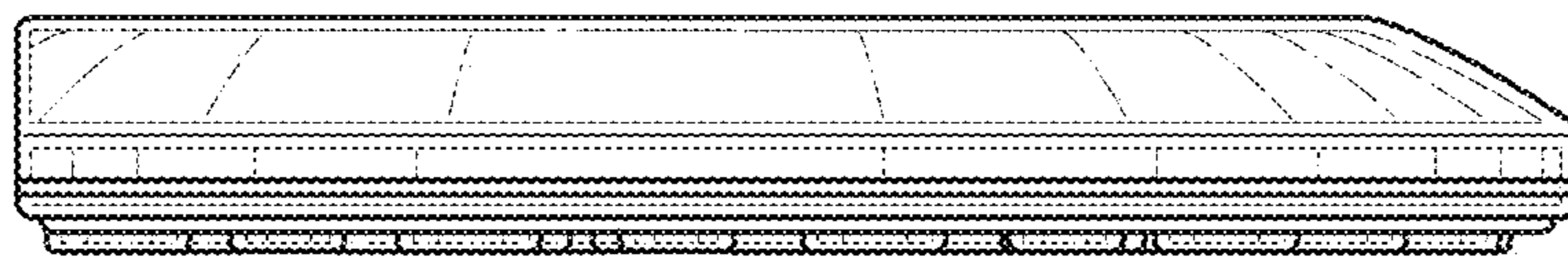
**FIG. 3**



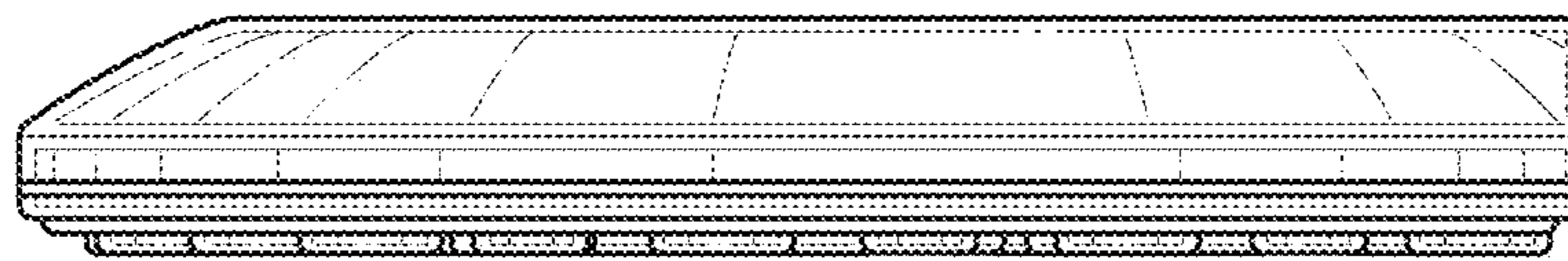
**FIG. 4**



**FIG. 5**



**FIG. 6**



**FIG. 7**