



US00D932293S

(12) **United States Design Patent** (10) **Patent No.:** **US D932,293 S**  
**Vuuren et al.** (45) **Date of Patent:** **\*\* \*Oct. 5, 2021**

(54) **END FITTING FOR A ROD STIFFENING COMPONENT**  
(71) Applicant: **Polyplas International Pty Ltd.,**  
Rowville (AU)  
(72) Inventors: **John Van Vuuren, Rowville (AU);**  
**Tinus Smith, Rowville (AU)**  
(\* ) Notice: This patent is subject to a terminal disclaimer.  
(\*\* ) Term: **15 Years**  
(21) Appl. No.: **29/702,623**  
(22) Filed: **Aug. 21, 2019**  
(30) **Foreign Application Priority Data**  
Feb. 20, 2019 (AU) ..... 201910896  
(51) **LOC (13) Cl.** ..... **08-08**  
(52) **U.S. Cl.**  
USPC ..... **D8/397**  
(58) **Field of Classification Search**  
USPC .... D8/397, 394, 382, 349, 399, 387, 70, 29,  
D8/83, 86; 411/376.2, 84, 446, 399, 490,  
411/455, 377; D23/259, 260  
CPC .... F16B 37/068; F16B 33/002; F16B 41/002;  
F16B 5/0208; F16B 23/0061; F16B  
31/02; F01N 13/009  
See application file for complete search history.

(56) **References Cited**  
U.S. PATENT DOCUMENTS  
D23,917 S \* 12/1894 Lane ..... D8/397  
1,029,775 A \* 6/1912 Tobin ..... F16B 39/10  
411/191  
D57,407 S \* 3/1921 Walker ..... D23/269  
2,120,577 A \* 6/1938 Schulte ..... F16B 13/0858  
411/71  
D134,789 S \* 1/1943 Gade ..... 411/276

2,552,794 A \* 5/1951 Kimbell ..... F16B 37/02  
411/427  
2,727,551 A \* 12/1955 Rees ..... F16B 39/34  
411/303  
D198,713 S \* 7/1964 Curtiss ..... D8/397  
D218,674 S \* 9/1970 Ernest ..... D8/387  
D220,027 S \* 3/1971 Myers ..... D8/397  
D223,187 S \* 3/1972 Wing ..... D8/397  
3,702,628 A \* 11/1972 Cosenza ..... F16B 39/36  
411/280  
D233,652 S \* 11/1974 Wing ..... D8/397  
4,019,550 A \* 4/1977 DeHaitre ..... F16B 33/004  
411/303  
D244,908 S \* 7/1977 Hatter et al. .... D8/397  
D244,909 S \* 7/1977 Gill ..... D8/397  
D273,561 S \* 4/1984 Ozaki ..... D8/397  
D281,953 S \* 12/1985 Newman ..... D8/397  
D311,131 S \* 10/1990 Saito ..... D8/397  
6,071,052 A \* 6/2000 Kerr ..... F16B 39/34  
411/247  
D446,111 S \* 8/2001 Hussaini ..... D8/29  
D459,207 S \* 6/2002 Miyata ..... D8/397  
D519,076 S \* 4/2006 Fox ..... D13/133

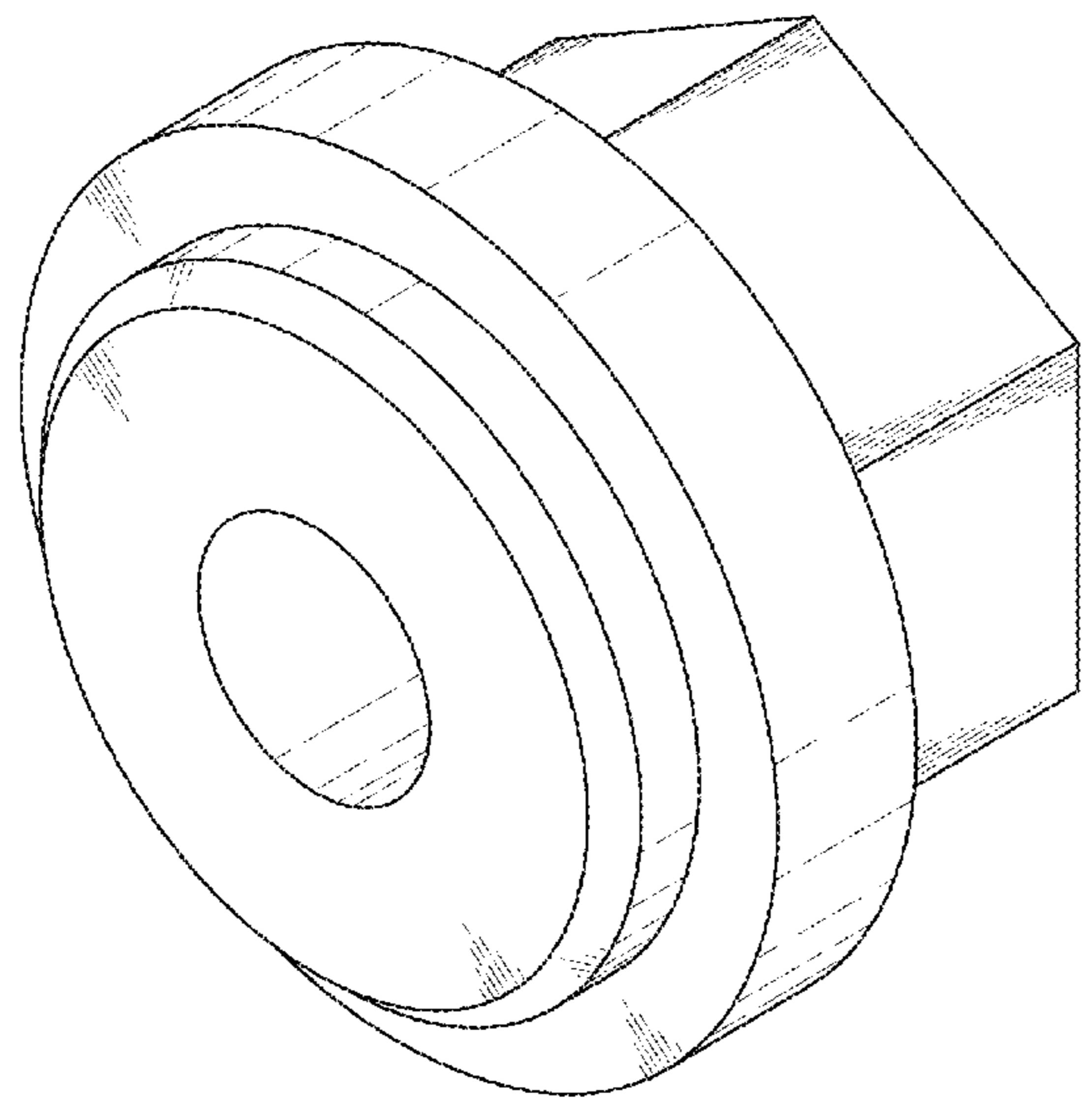
(Continued)

Primary Examiner — Cynthia R Underwood

(57) **CLAIM**  
The shape and configuration of an end fitting for a rod stiffening component, as shown.

**DESCRIPTION**  
FIG. 1: is a perspective view of an end fitting for a rod stiffening component according to a first embodiment of the present invention;  
FIG. 2: is a side view of the end fitting for a rod stiffening component of FIG. 1;  
FIG. 3: is a bottom view of the end fitting for a rod stiffening component of FIG. 1; and,  
FIG. 4: is a top view of the end fitting for a rod stiffening component of FIG. 1.

**1 Claim, 4 Drawing Sheets**





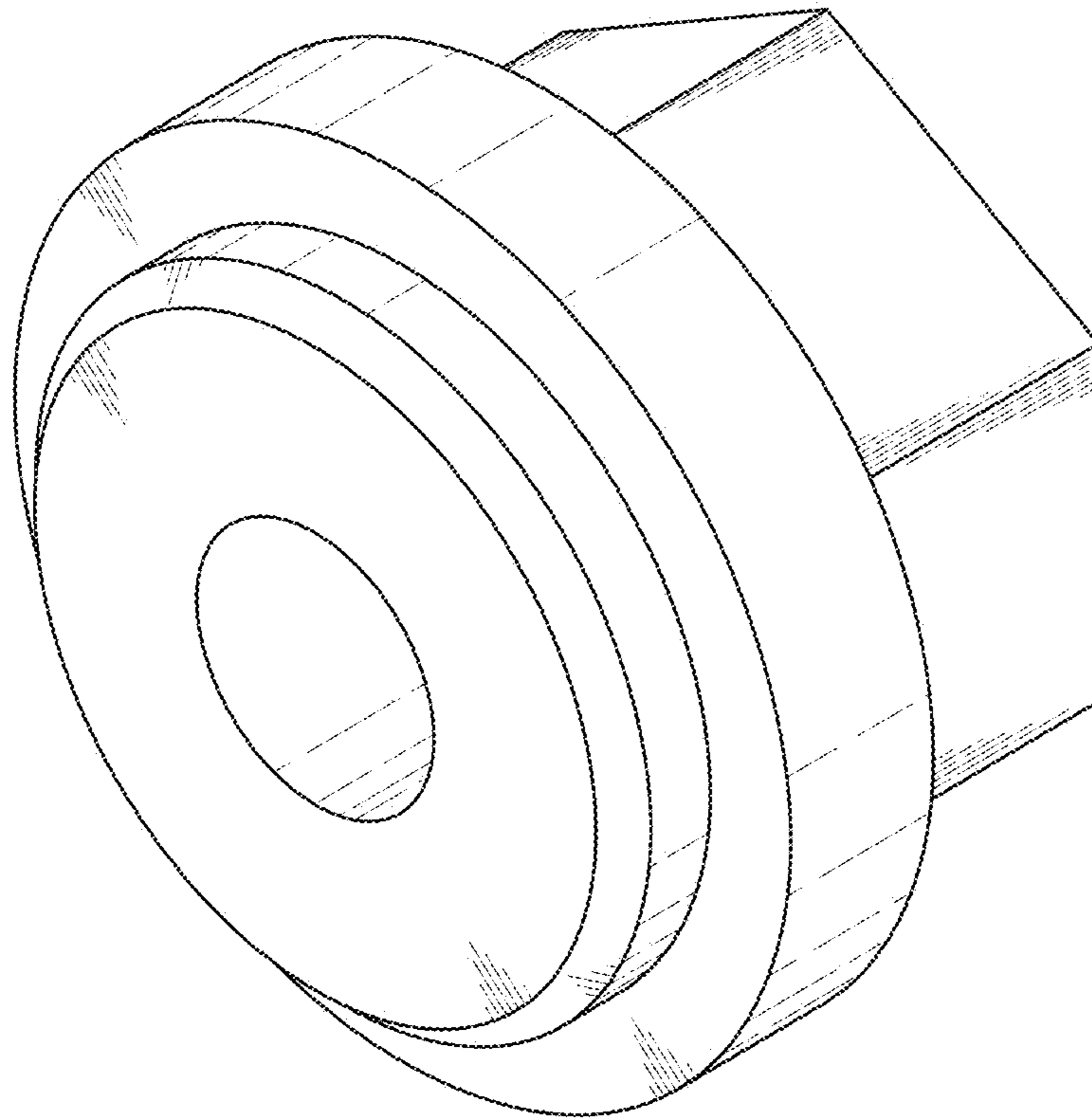


Figure 1

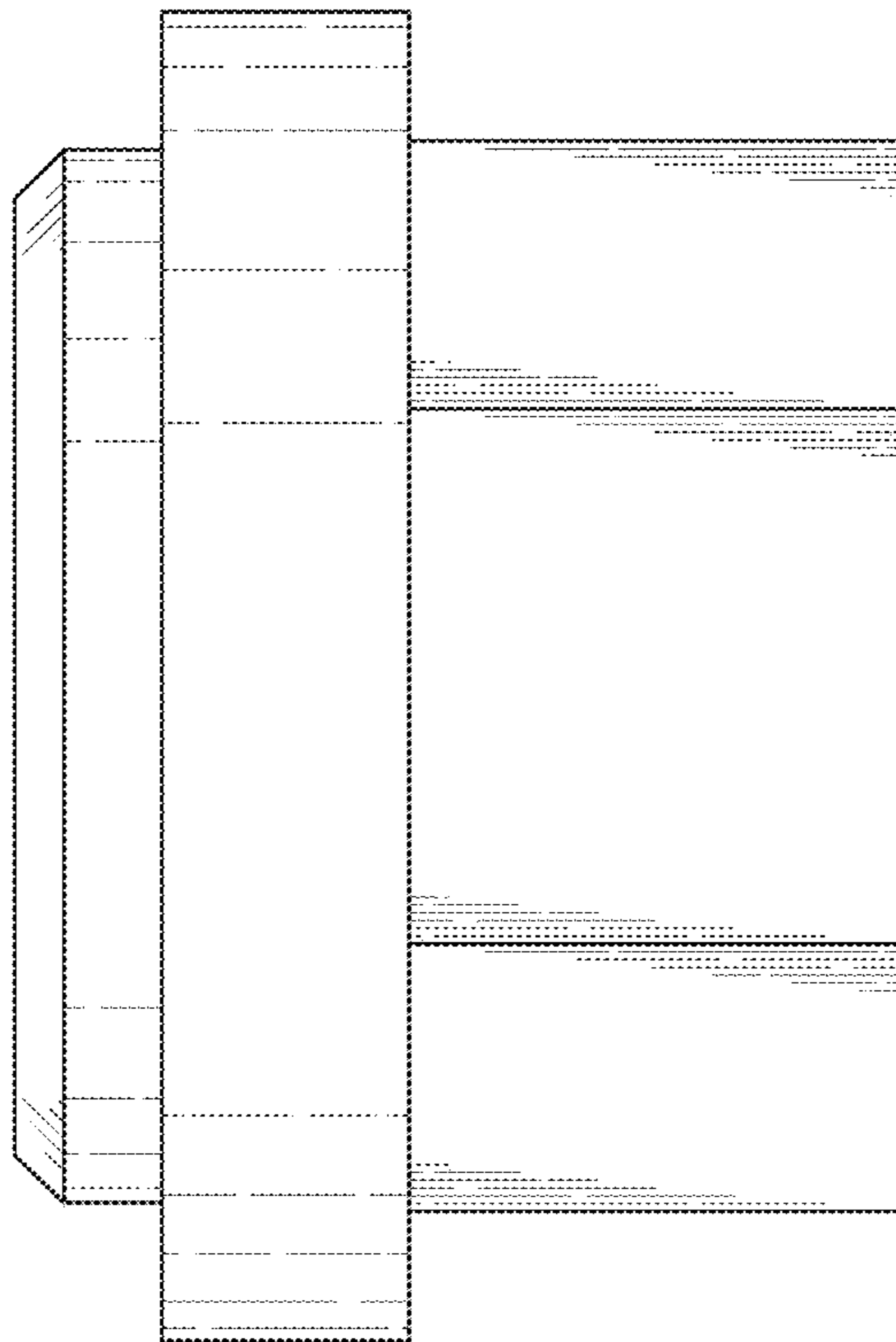


Figure 2

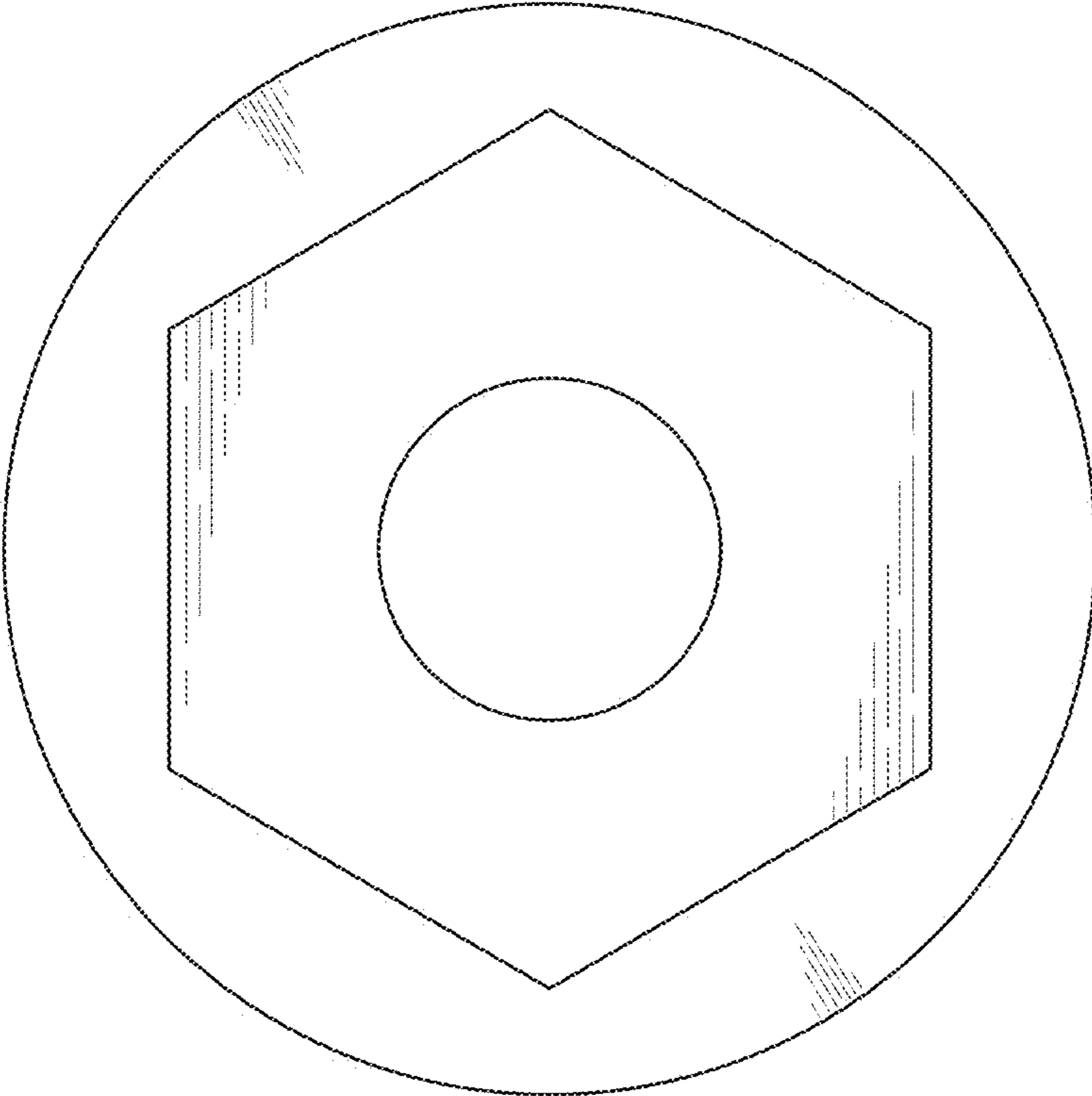


Figure 3

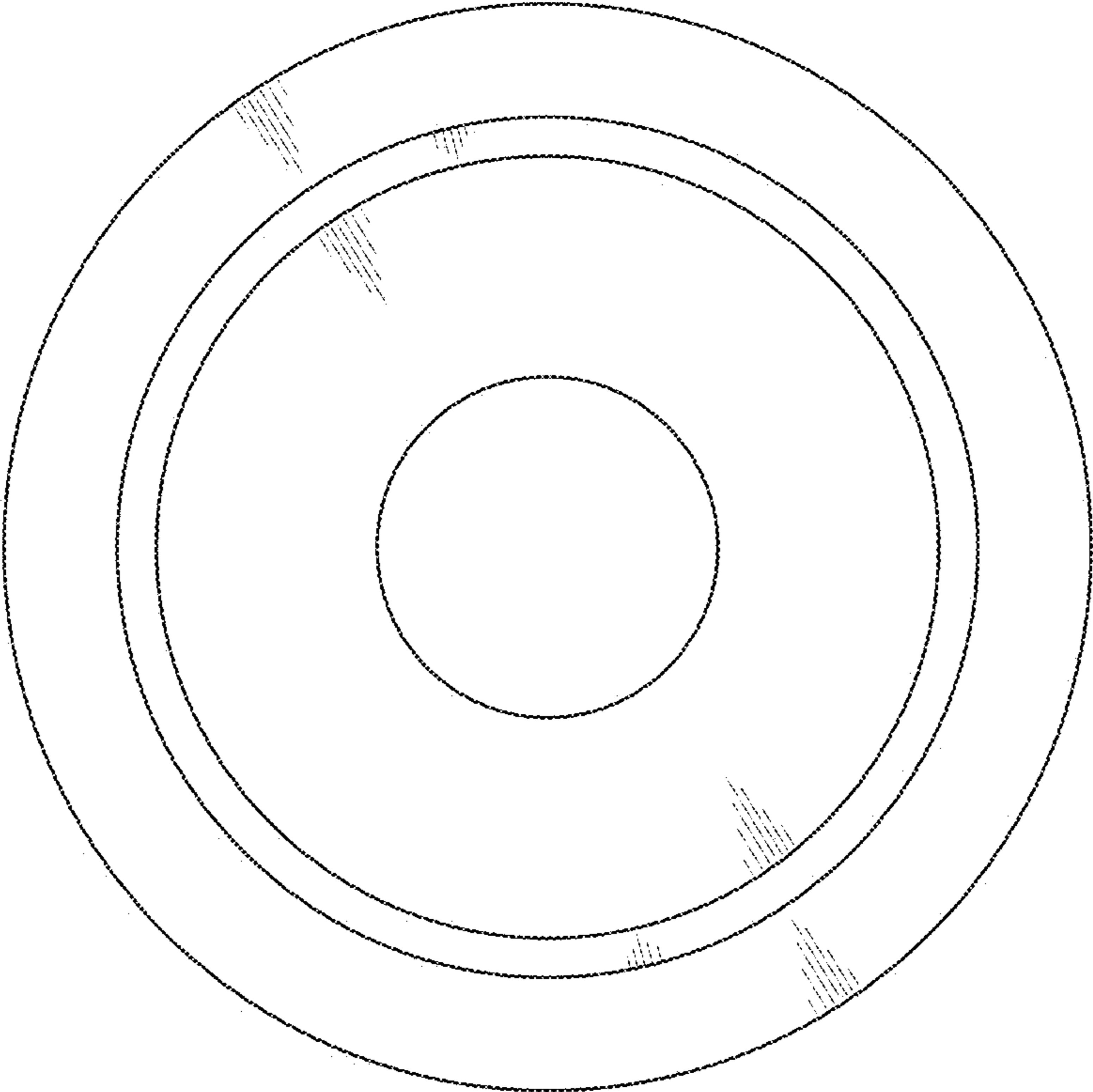


Figure 4