



US00D932292S

(12) **United States Design Patent** (10) **Patent No.:** **US D932,292 S**  
**Holdcroft** (45) **Date of Patent:** **\*\* Oct. 5, 2021**

(54) **CLIP**

OTHER PUBLICATIONS

(71) Applicant: **Honeywell International Inc.**, Morris Plains, NJ (US)

U.S. Appl. No. 29/617,475, filed Sep. 14, 2017, Pending.

(Continued)

(72) Inventor: **Raymond Peter Holdcroft**, Morris Plains, NJ (US)

*Primary Examiner* — Steven J Czyz

(74) *Attorney, Agent, or Firm* — Alston & Bird LLP

(73) Assignee: **HONEYWELL INTERNATIONAL INC.**, Morris Plains, NJ (US)

(57) **CLAIM**

I claim the ornamental design for a clip, as shown and described.

(\*\*) Term: **15 Years**

**DESCRIPTION**

(21) Appl. No.: **29/732,697**

(22) Filed: **Apr. 27, 2020**

**Related U.S. Application Data**

(62) Division of application No. 29/617,475, filed on Sep. 14, 2017, now Pat. No. Des. 899,240.

(51) **LOC (13) Cl.** ..... **08-08**

(52) **U.S. Cl.**  
USPC ..... **D8/394**

(58) **Field of Classification Search**  
USPC ..... D3/215, 218, 328; D8/382, 383, 394,  
D8/395; D11/212, 215, 218; D14/251,  
D14/253

CPC ..... A44B 13/00; A44B 15/00; Y10T 24/1394;  
A42B 3/04

See application file for complete search history.

(56) **References Cited**

U.S. PATENT DOCUMENTS

3,273,163 A \* 9/1966 Andrews, III ..... A42B 3/04  
2/422  
D268,300 S \* 3/1983 Richards ..... D3/215  
4,479,738 A \* 10/1984 Kubnick ..... A42B 3/04  
2/10  
D288,162 S \* 2/1987 Hutton ..... D11/212

(Continued)

FIG. 1 is a front perspective view of a clip configured for attachment to an exemplary hard hat and configured to receive an exemplary gas detector in accordance with the new design;

FIG. 2 is a front perspective view of the clip configured for attachment to an exemplary hard hat and configured to receive an exemplary gas detector, wherein the clip is shown inserted into a slot of the exemplary hard hat in accordance with the new design;

FIG. 3 is a front perspective view of the clip configured for attachment to an exemplary hard hat and configured to receive an exemplary gas detector, wherein the clip is shown inserted into the slot of the exemplary hard hat and the exemplary gas detector is shown positioned in the clip in accordance with the new design;

FIG. 4 is a front elevation view of the clip configured for attachment to an exemplary hard hat and configured to receive an exemplary gas detector in accordance with the new design;

FIG. 5 is a rear elevation view thereof;

FIG. 6 is a right side elevation view thereof;

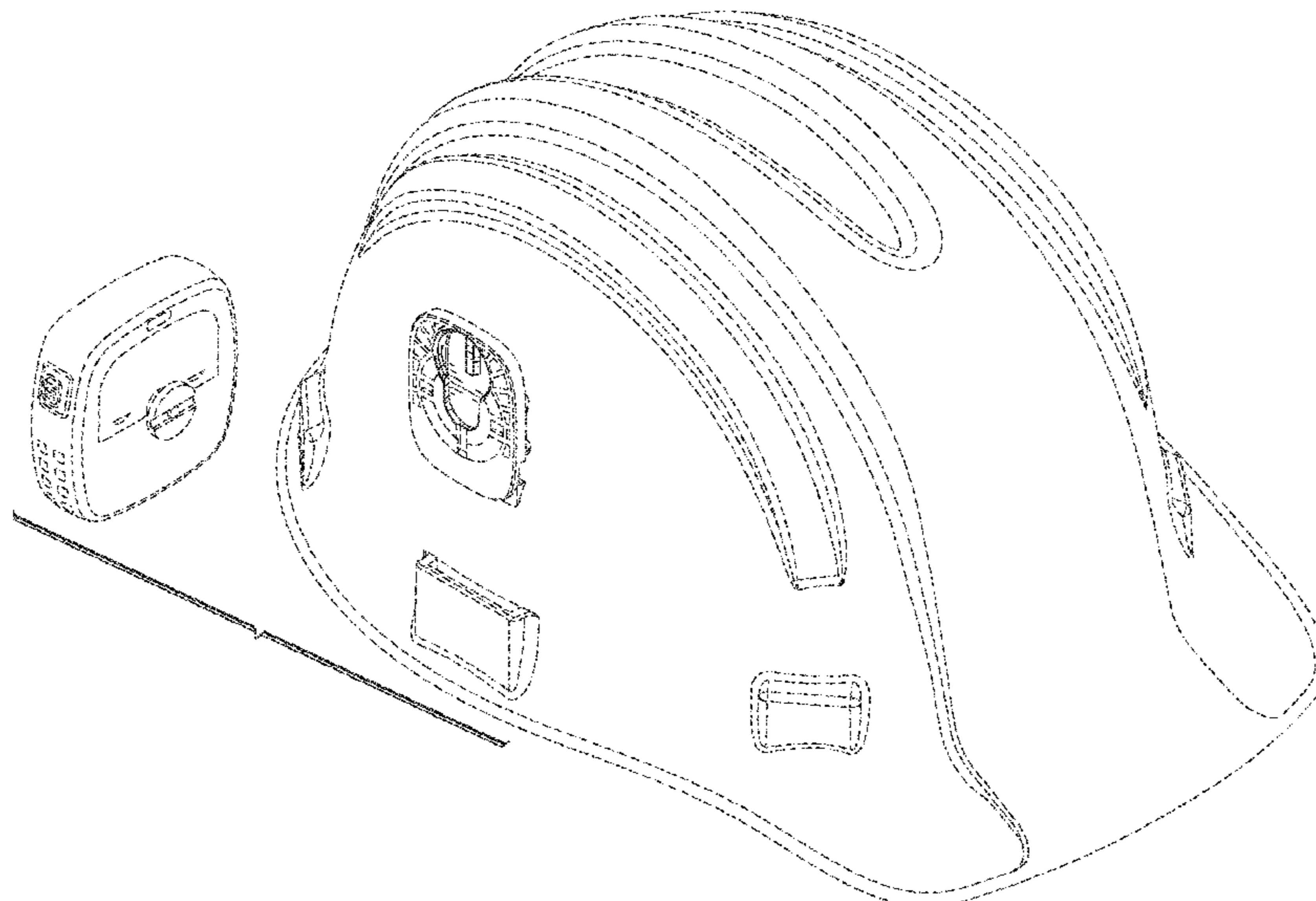
FIG. 7 is a left side elevation view thereof;

FIG. 8 is a top plan view thereof; and,

FIG. 9 is a bottom plan view thereof.

The broken lines depict portions of the article and environment that form no part of the claimed design.

**1 Claim, 7 Drawing Sheets**



(56)

References Cited

U.S. PATENT DOCUMENTS

4,729,706 A \* 3/1988 Peterson ..... F16B 37/041  
411/112

D302,568 S 8/1989 Berger

D310,624 S 9/1990 Gradecki et al.

5,168,605 A \* 12/1992 Bartlett ..... A47C 21/022  
24/129 R

D339,521 S \* 9/1993 Bartlett ..... D11/212

D358,567 S \* 5/1995 Sirois ..... D11/212

5,658,065 A \* 8/1997 Jamieson ..... A42B 3/04  
2/422

D404,038 S \* 1/1999 Fransson ..... D14/253

D433,563 S \* 11/2000 Capanna ..... D3/215

D459,273 S \* 6/2002 Murata ..... D11/216

D465,400 S 11/2002 Moore et al.

D465,525 S 11/2002 Dilday

6,616,294 B1 \* 9/2003 Henry ..... A42B 3/04  
2/422

6,854,946 B2 \* 2/2005 Bauer ..... F16B 21/09  
411/523

D509,471 S \* 9/2005 Cronce ..... D12/414

D511,713 S \* 11/2005 Carbonero ..... D11/212

D522,849 S \* 6/2006 Dick ..... D8/354

D562,124 S \* 2/2008 Hargis ..... D8/394

D565,662 S 4/2008 Reardon et al.

D574,226 S 8/2008 Wolff

D589,338 S 3/2009 Baum

7,630,745 B2 \* 12/2009 Chen ..... A45F 5/02  
379/433.01

D627,621 S 11/2010 Liljeqvist et al.

7,832,606 B2 \* 11/2010 Sin ..... A45F 5/02  
224/197

7,878,745 B2 \* 2/2011 Allen ..... F16B 27/00  
411/175

8,191,292 B2 6/2012 Cummings et al.

D674,274 S \* 1/2013 Gasparino ..... D8/395

8,360,378 B1 \* 1/2013 Owens ..... A63B 57/20  
248/309.4

D685,991 S \* 7/2013 Pearce ..... D3/218

D686,409 S \* 7/2013 Pearce ..... D3/218

8,919,622 B1 \* 12/2014 Gabriel ..... A45F 5/021  
224/148.4

8,919,623 B1 \* 12/2014 Bergeron ..... A45F 5/021  
224/148.4

D741,554 S 10/2015 Moreau et al.

9,185,953 B2 \* 11/2015 Whitten ..... A45C 11/00

D745,776 S \* 12/2015 Perreault ..... D3/215

9,223,190 B1 \* 12/2015 Yang ..... A45F 5/00

D748,461 S \* 2/2016 Catchings ..... D8/394

9,249,814 B2 \* 2/2016 Tsai ..... A45F 5/004

9,267,529 B2 \* 2/2016 Tejero Salinero .... F16B 37/041

D751,889 S \* 3/2016 Thiltges ..... D8/394

9,291,179 B2 \* 3/2016 Pierce ..... F16B 2/20

9,375,075 B2 \* 6/2016 Bazan ..... A45F 5/021

D762,968 S \* 8/2016 Patulski ..... D3/215

D762,969 S \* 8/2016 Patulski ..... D3/215

D762,970 S \* 8/2016 Patulski ..... D3/215

D763,673 S 8/2016 Moreau et al.

9,474,334 B2 \* 10/2016 Jonsson ..... A41D 13/0562

D770,167 S \* 11/2016 Patulski ..... D3/215

D770,168 S \* 11/2016 Patulski ..... D3/215

D770,169 S \* 11/2016 Patulski ..... D3/215

D778,508 S \* 2/2017 Moreau ..... D29/122

D790,332 S \* 6/2017 Dresser, III ..... D8/394

9,756,890 B2 9/2017 Moreau et al.

D799,312 S 10/2017 Ng

9,844,238 B2 \* 12/2017 Lemoine ..... A44B 11/26

D807,029 S \* 1/2018 Resca ..... D3/222

D807,634 S \* 1/2018 Eremita ..... D3/215

D822,473 S 7/2018 Ng

D854,311 S \* 7/2019 Burns ..... D3/215

10,383,385 B2 \* 8/2019 Moreau ..... A44B 13/00

D863,287 S \* 10/2019 Srouf ..... D14/251

D877,492 S \* 3/2020 Eynav ..... D3/215

D879,086 S \* 3/2020 Nahum ..... D14/251

10,712,127 B2 \* 7/2020 Tedder ..... B60R 7/14

10,736,406 B2 \* 8/2020 Hintze ..... A45F 5/004

10,782,094 B2 \* 9/2020 Rogers ..... F41C 33/045

2011/0113529 A1 \* 5/2011 Milioto ..... F16B 2/20  
2/209.13

2013/0180033 A1 \* 7/2013 Uemoto ..... H04R 1/1041  
2/410

2020/0329806 A1 \* 10/2020 Wong ..... F04D 25/084

OTHER PUBLICATIONS

China Design Application No. 201830092441.8, filed Mar. 13, 2018, 28 pages.

China Design Application No. 201830092441.8, Notification to Grant Patent Right, dated Jun. 4, 2018, 4 pages.

European Community Design Application No. 004751378-0001, filed Mar. 12, 2018, 8 pages.

European Community Design Application No. 004751378-0002, filed Mar. 12, 2018, 8 pages.

European Community Design Application No. 004751378-0003, filed Mar. 12, 2018, 8 pages.

European Community Design Application Nos. 004751378-0001-0003, Preliminary Examination, dated Mar. 15, 2018, 5 pages.

Requirement for Restriction/Election dated Feb 21, 2020 for U.S. Appl. No. 29/617,475.

Non-Final Rejection dated Mar. 25, 2021 for U.S. Appl. No. 29/732,695.

Notice of Allowance and Fees Due (PTOL-37D) dated Jun. 16, 2020 for U.S. Appl. No. 29/617,475.

\* cited by examiner



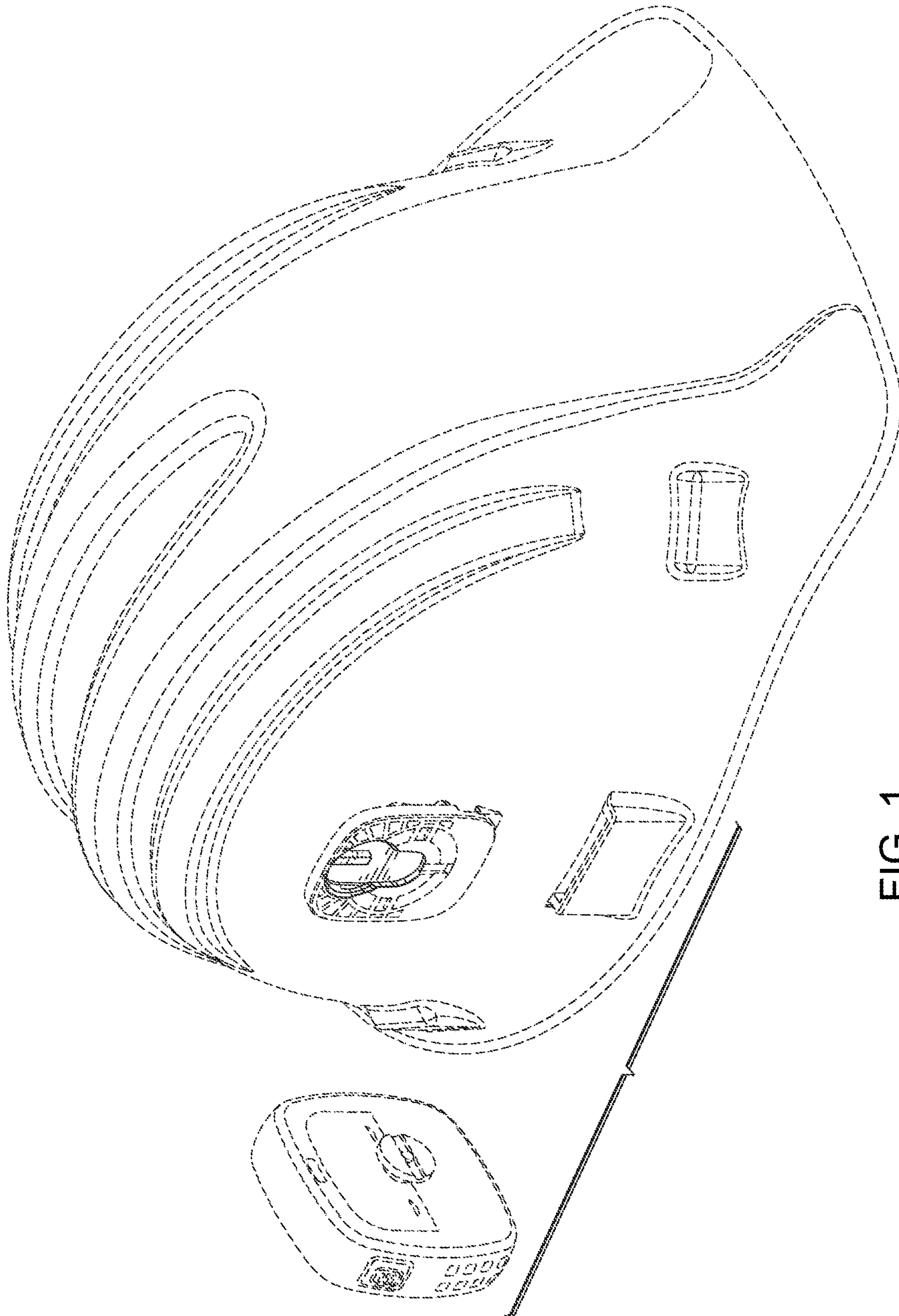


FIG. 1

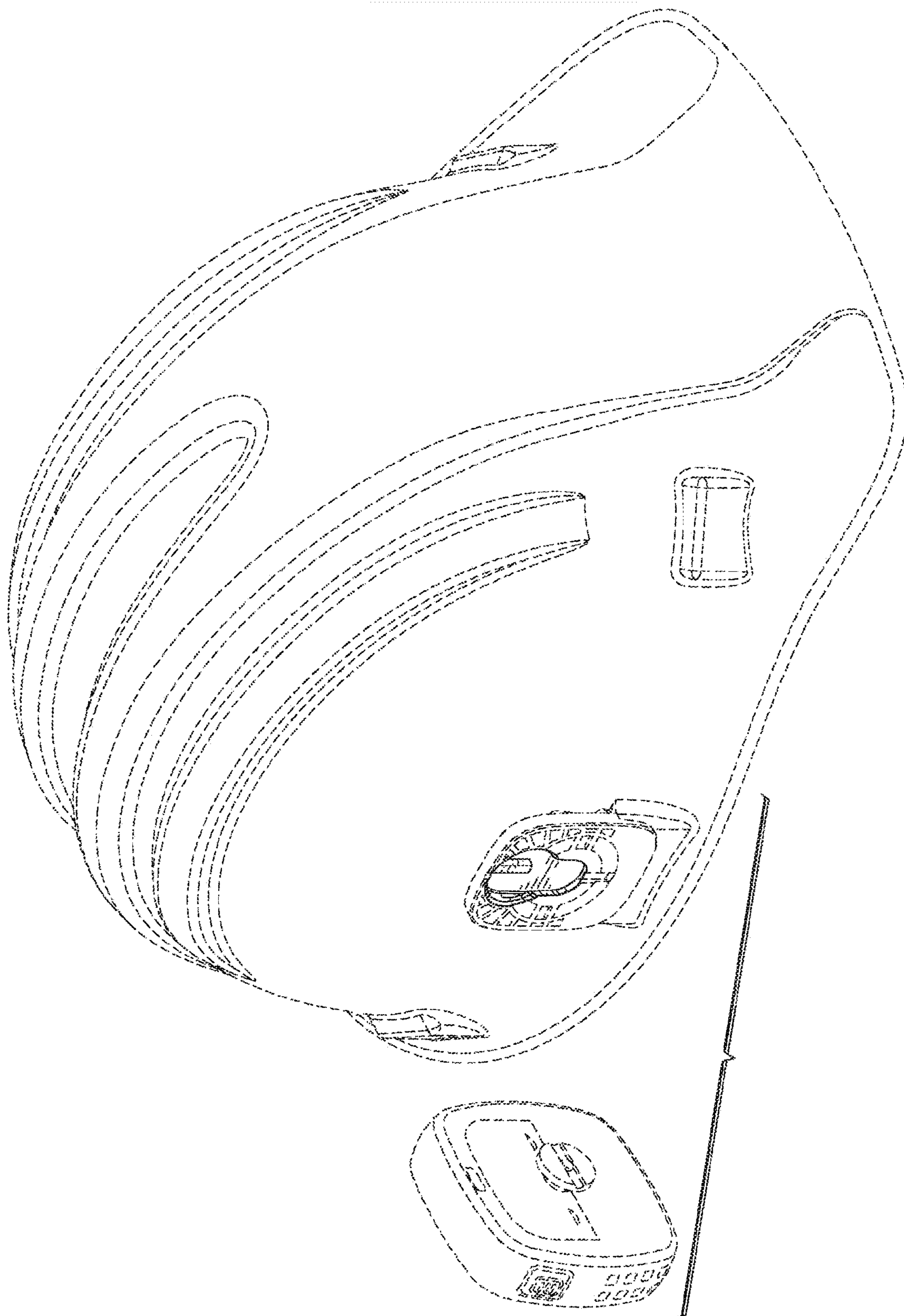


FIG. 2

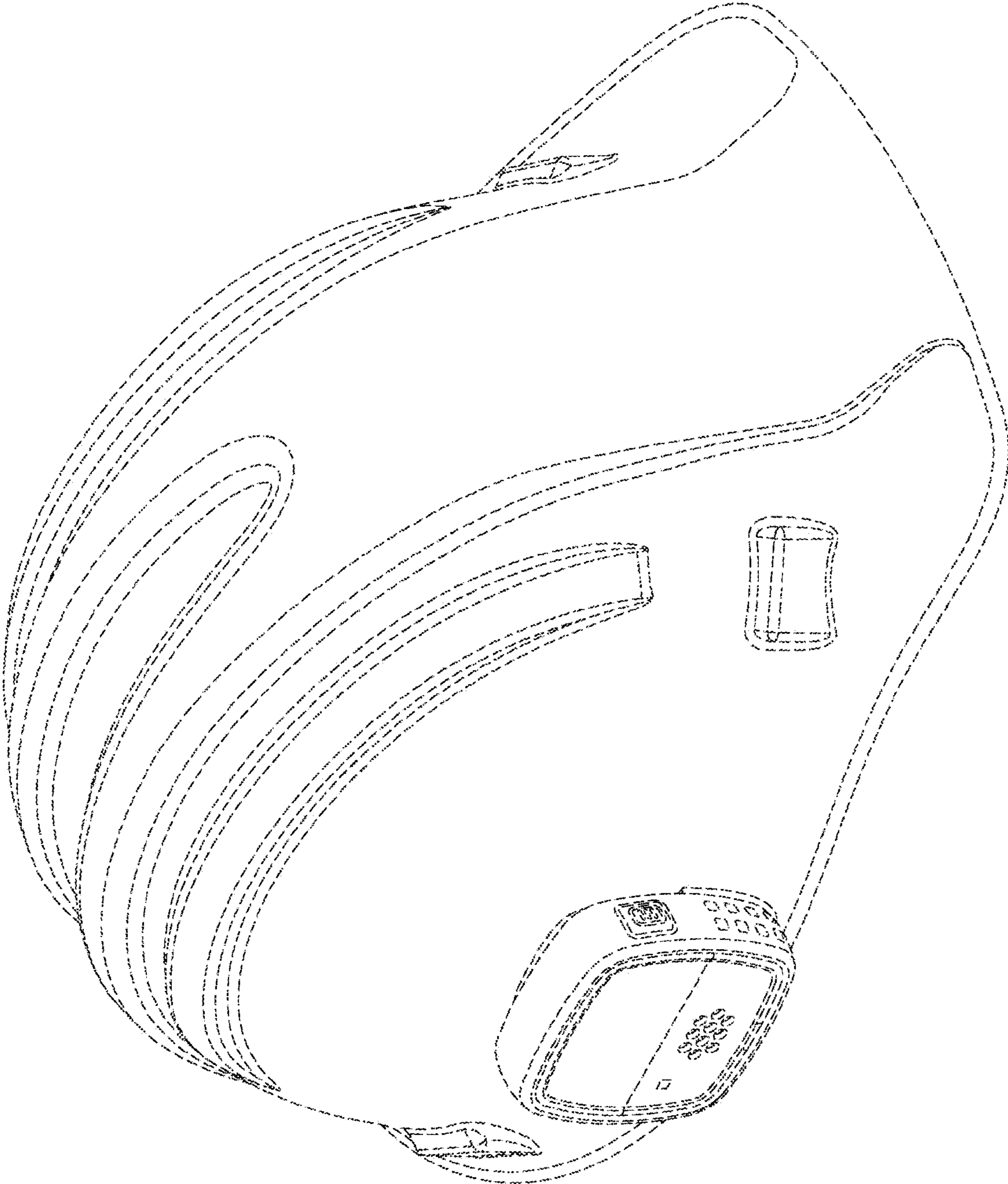


FIG. 3



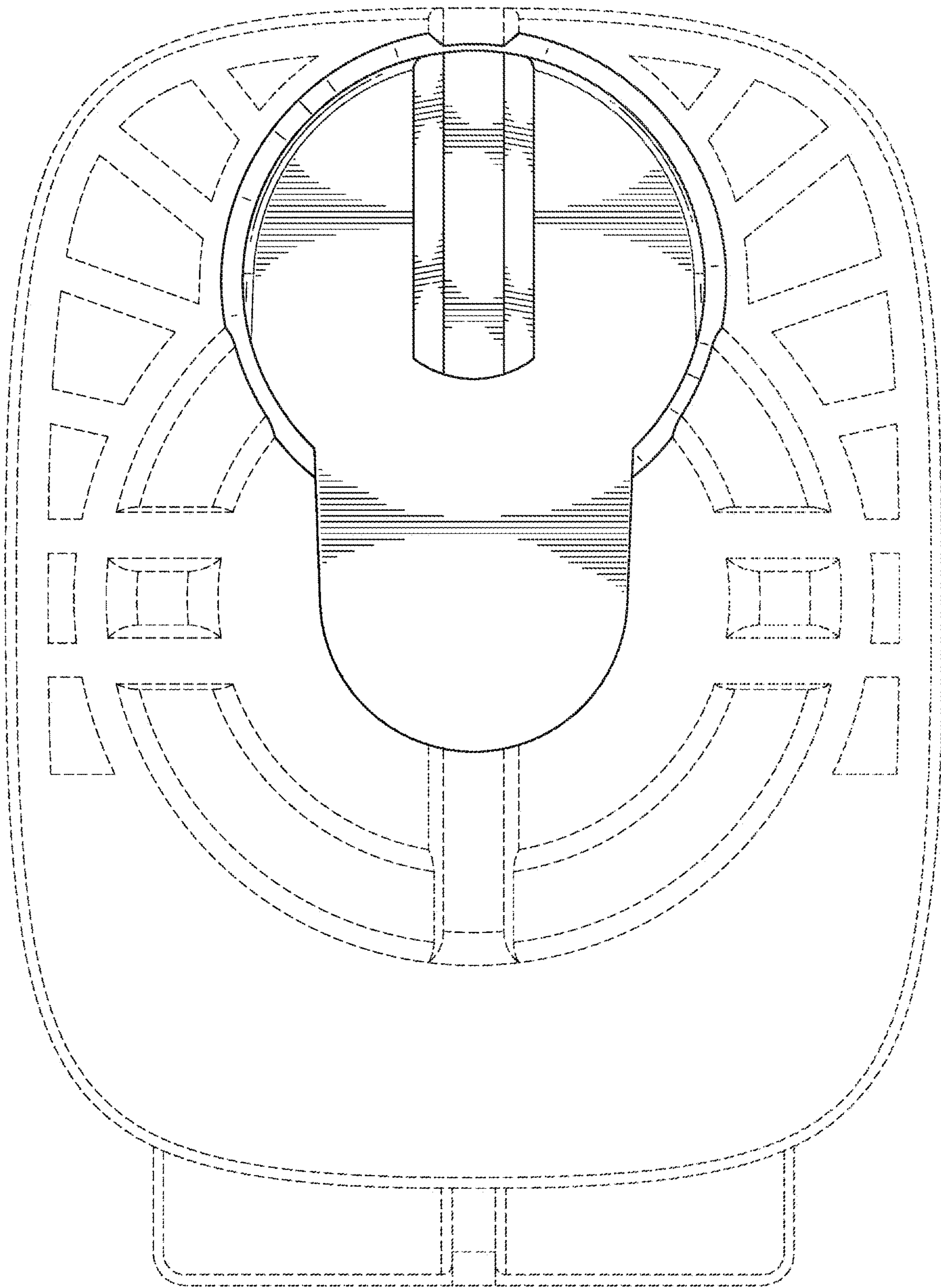


FIG. 4

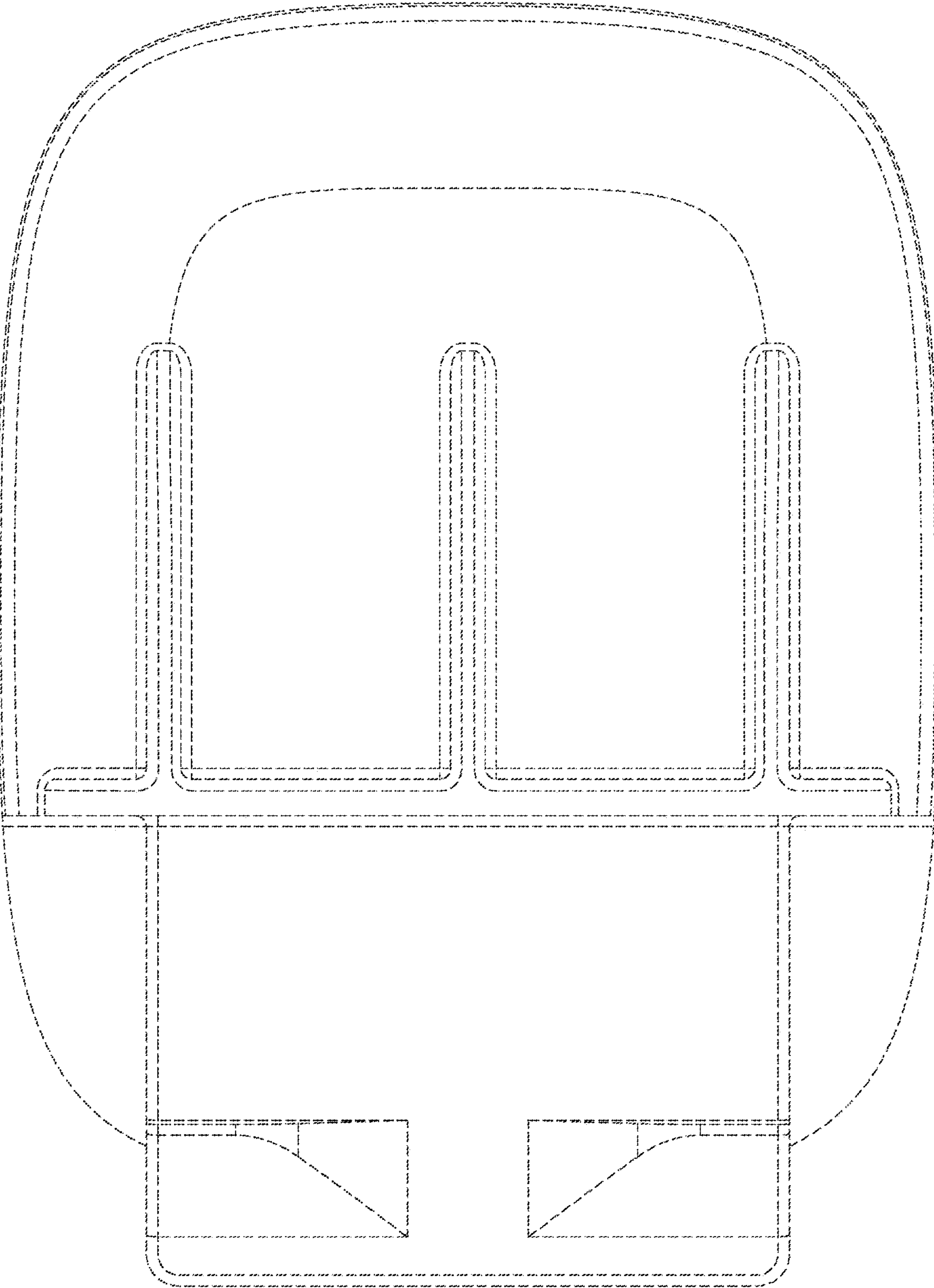


FIG. 5

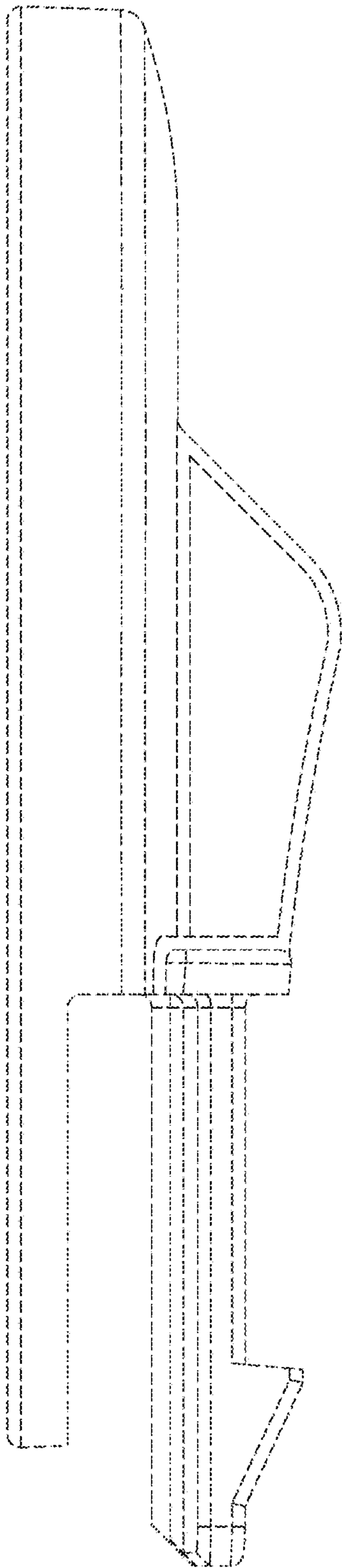


FIG. 6

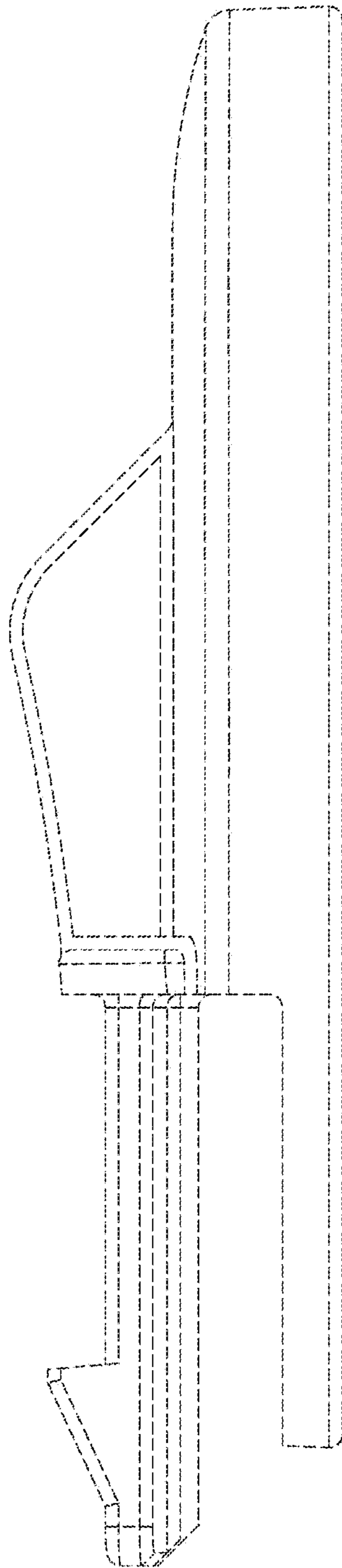


FIG. 7



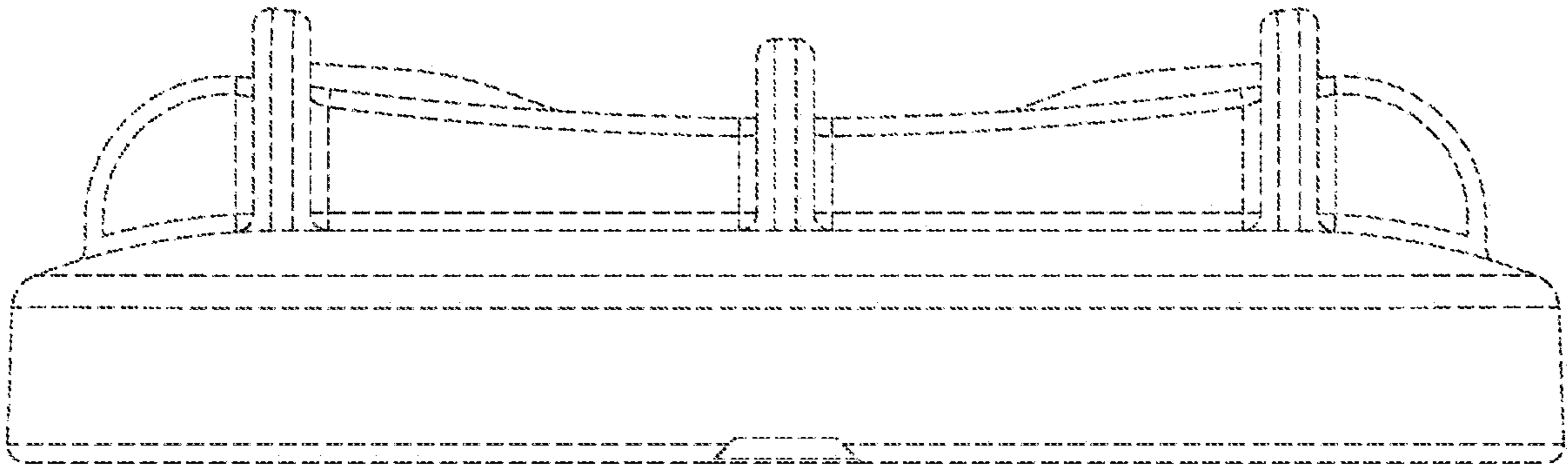


FIG. 8

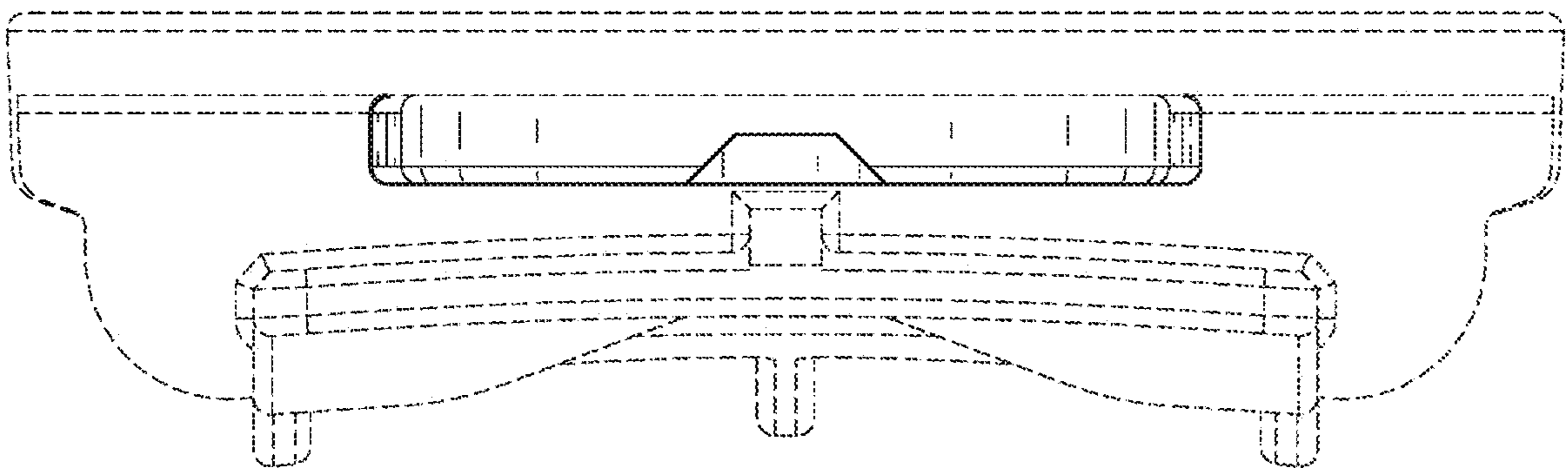


FIG. 9