



US00D932291S

(12) **United States Design Patent**
Grøndal

(10) **Patent No.:** **US D932,291 S**

(45) **Date of Patent:** **** Oct. 5, 2021**

(54) **ATTACHMENT FOR SUCTION DEVICE**

(71) Applicant: **Greentek / Racing v/Claus Grøndal,**
Silkeborg (DK)

(72) Inventor: **Claus Grøndal,** Silkeborg (DK)

(73) Assignee: **Greentek / Racing v/Claus Grøndal**

(**) Term: **15 Years**

(21) Appl. No.: **35/508,460**

(22) Filed: **Aug. 2, 2019**

(80) **Hague Agreement Data**

Int. Filing Date: **Aug. 2, 2019**

Int. Reg. No.: **DM/205386**

Int. Reg. Date: **Aug. 2, 2019**

Int. Reg. Pub. Date: **Jan. 31, 2020**

(51) **LOC (13) Cl.** **08-08**

(52) **U.S. Cl.**
USPC **D8/382**

(58) **Field of Classification Search**

USPC D8/331, 333, 340, 343, 349, 382, 387,
D8/388, 391, 393, 397, 399

CPC B29C 73/22; C04B 28/02; C04B 14/42;
C04B 14/34; C04B 24/24

See application file for complete search history.

(56) **References Cited**

U.S. PATENT DOCUMENTS

5,275,186 A * 1/1994 Liu A45B 25/08
135/24

D438,494 S * 3/2001 Charmat D12/180
D473,126 S * 4/2003 Fergusson D8/387
6,585,201 B1 * 7/2003 Reed B60R 11/0235
248/181.1
7,946,542 B1 * 5/2011 Chapman F16M 11/2014
248/122.1
D658,481 S * 5/2012 Pratt D8/349
D838,582 S * 1/2019 Szucs D8/382
D840,216 S * 2/2019 Park D8/382
D842,084 S * 3/2019 Rosebrugh D8/382
D863,113 S * 10/2019 Carrithers D12/106

* cited by examiner

Primary Examiner — Darlington Ly

(74) *Attorney, Agent, or Firm* — Neal Gerber &
Eisenberg LLP

(57) **CLAIM**

The ornamental design for an attachment for suction device,
as shown and described.

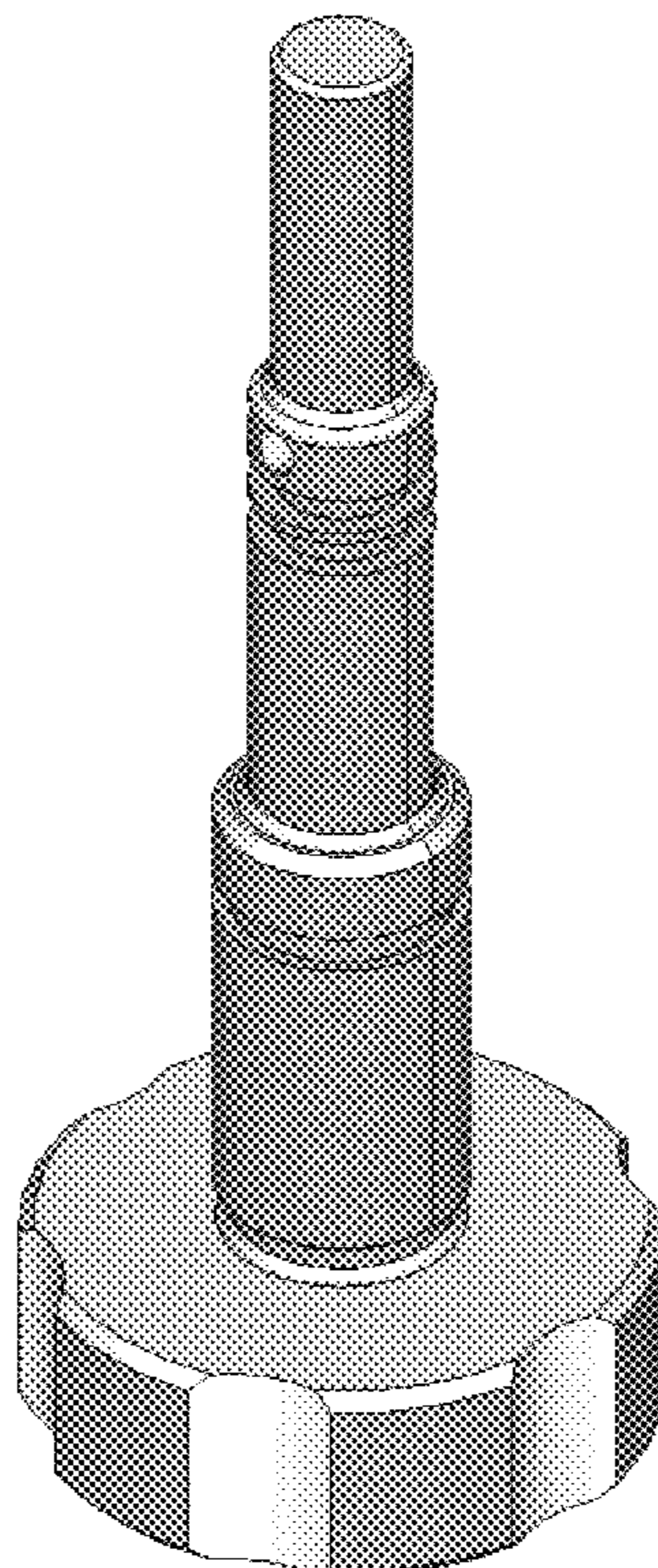
DESCRIPTION

1. Attachment for suction device

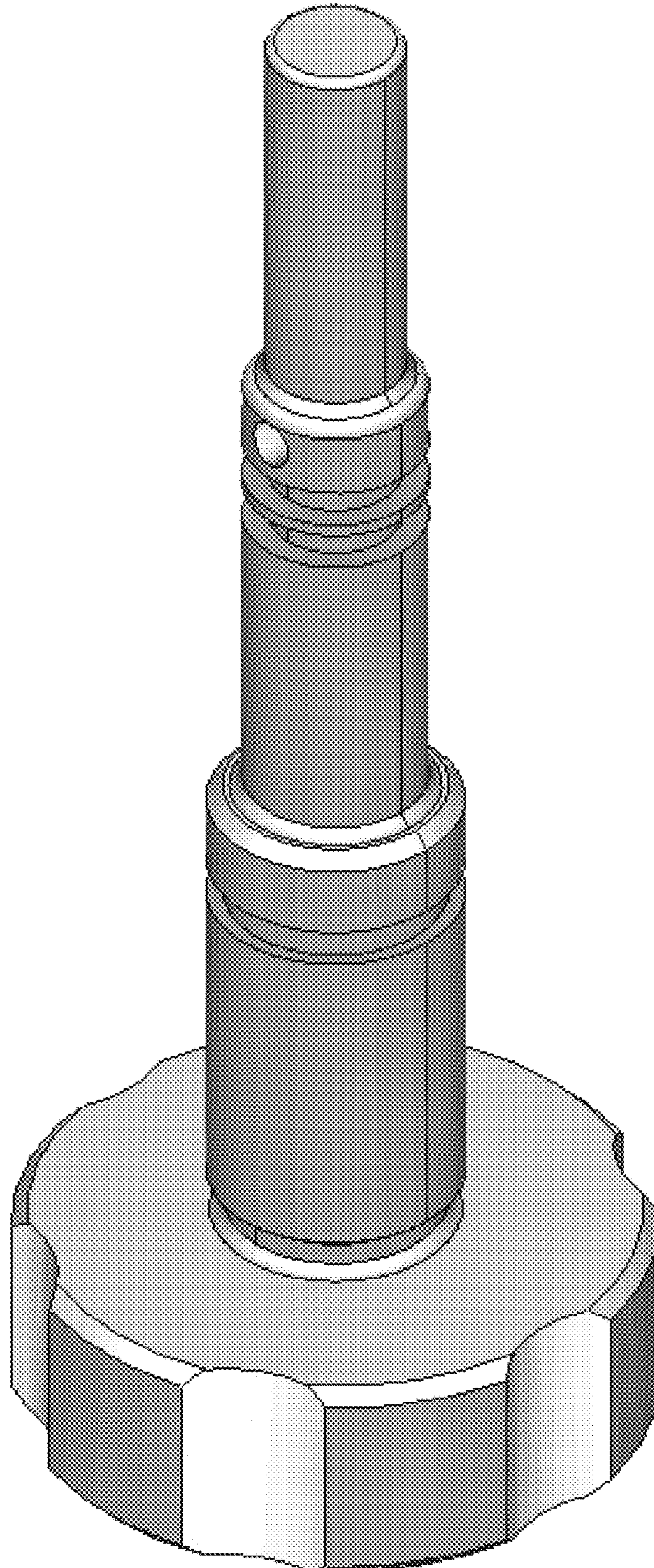
1.1 is a first perspective view of an attachment for suction
device embodying our new design.

1.2 is a second perspective view thereof, with an outer sleeve
removed to show a threaded surface.

1 Claim, 2 Drawing Sheets



1.1



1.2

