



US00D932290S

(12) **United States Design Patent** (10) **Patent No.:** **US D932,290 S**  
**Ercole Auffray et al.** (45) **Date of Patent:** **\*\* Oct. 5, 2021**

(54) **HANG ROD SUPPORT** 2,908,471 A \* 10/1959 Hollansworth ..... A47B 96/027  
 248/247  
 (71) Applicant: **Clairson, Inc.**, Newark, DE (US) 3,669,395 A 6/1972 Gehrke  
 3,695,569 A 10/1972 Pullan  
 (72) Inventors: **Emmanuel Ercole Auffray**, 3,702,591 A 11/1972 Banse  
 Gainesville, FL (US); **Dominic George Fasino**, Gainesville, FL (US); **Daniel Wayne Brinton, Jr.**, Ocala, FL (US) D315,862 S 4/1991 Specker, Jr.  
 D365,016 S 12/1995 Hollinger  
 (Continued)

(73) Assignee: **Clairson, Inc.**, Newark, DE (US)  
 (\*\*) Term: **15 Years**  
 (21) Appl. No.: **29/748,059**  
 (22) Filed: **Aug. 27, 2020**

**Related U.S. Application Data**

(60) Division of application No. 29/667,404, filed on Oct. 22, 2018, now Pat. No. Des. 896,623, which is a continuation of application No. 29/591,093, filed on Jan. 17, 2017, now Pat. No. Des. 831,473.  
 (51) **LOC (13) Cl.** ..... **08-05**  
 (52) **U.S. Cl.**  
 USPC ..... **D8/381**  
 (58) **Field of Classification Search**  
 USPC ..... D8/381  
 CPC ..... A47B 96/06; A47B 57/42; A47B 57/52;  
 A47B 57/56; A47G 25/0692  
 See application file for complete search history.

**References Cited**

**U.S. PATENT DOCUMENTS**

D14,909 S 3/1884 Horan  
 D23,731 S 10/1894 Burgess  
 D24,909 S 11/1895 Corscaden  
 D26,927 S \* 4/1897 Held ..... D8/381  
 D29,927 S 1/1899 Richardson  
 2,859,879 A \* 11/1958 Rogers ..... A47B 96/027  
 211/90.01  
 2,900,085 A 8/1959 Levy

**OTHER PUBLICATIONS**

Black steel aris decorative shelf bracket, www.homedepot.com, accessed Dec. 19, 2016, 2 pages.  
 (Continued)

*Primary Examiner* — George D. Kirschbaum  
*Assistant Examiner* — Maria J. Edwards  
 (74) *Attorney, Agent, or Firm* — Brooks Kushman P.C.

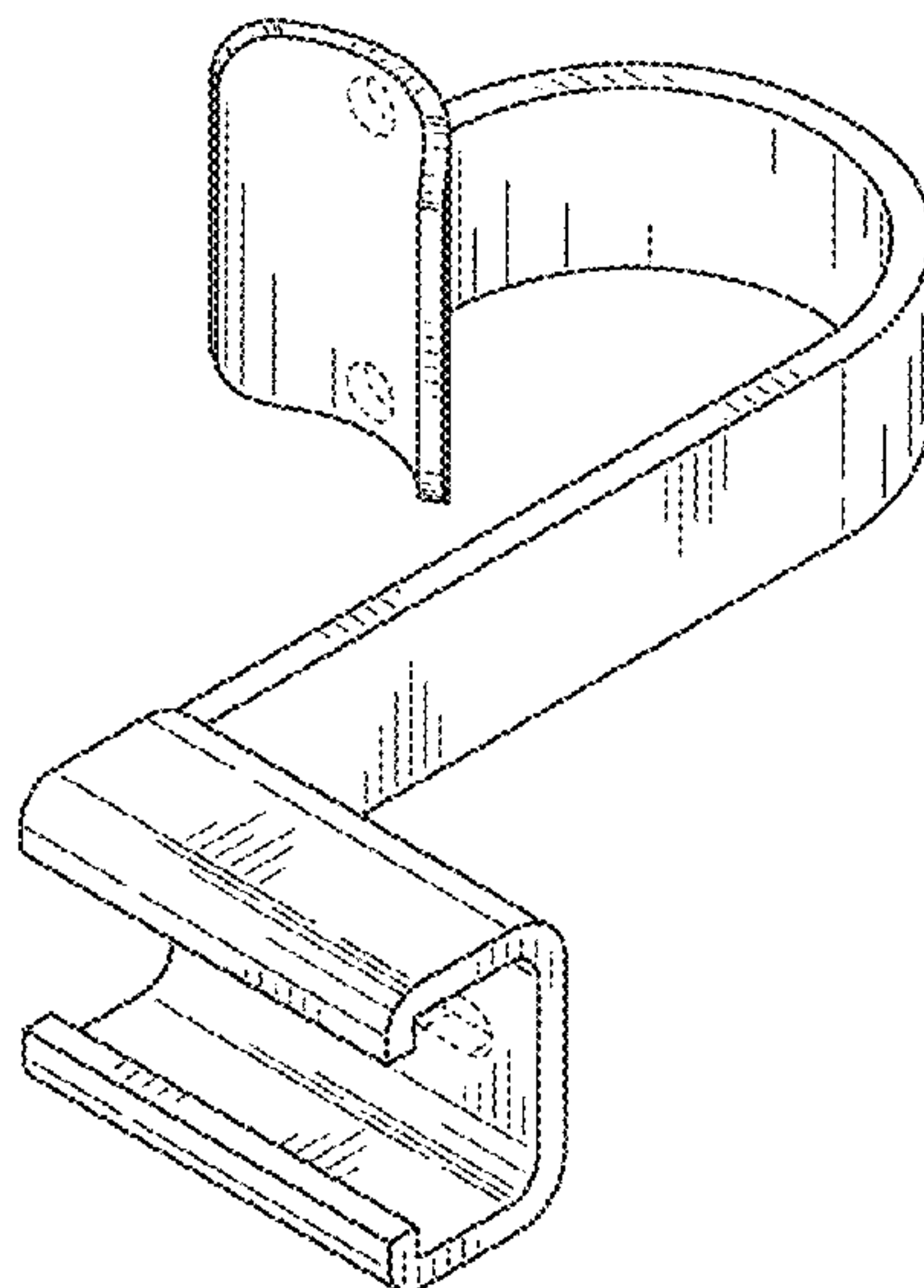
**CLAIM**

(57) The ornamental design for a hang rod support, as shown and described.

**DESCRIPTION**

FIG. 1 is a perspective view of a hang rod support showing our new design;  
 FIG. 2 is a front elevation view of the hang rod support shown in FIG. 1;  
 FIG. 3 is a back elevation view of the hang rod support shown in FIG. 1;  
 FIG. 4 is a right elevation view of the hang rod support shown in FIG. 1;  
 FIG. 5 is a left elevation view of the hang rod support shown in FIG. 1;  
 FIG. 6 is a bottom plan view of the hang rod support shown in FIG. 1; and,  
 FIG. 7 is a top plan view of the hang rod support member shown in FIG. 1.  
 In the drawings, the broken lines depict portions of the article and form no part of the claimed design.

**1 Claim, 3 Drawing Sheets**



(56)

**References Cited**

U.S. PATENT DOCUMENTS

5,582,303	A	12/1996	Sloan
6,053,465	A	4/2000	Kluge
D605,029	S	12/2009	Puksta
D605,932	S	12/2009	Piersant
D763,009	S	8/2016	Murphy
D797,989	S	9/2017	Herft
D798,496	S	9/2017	Herft
D811,205	S	2/2018	Hanley
D813,021	S	3/2018	Hanley
D813,022	S	3/2018	Hanley
D831,473	S	10/2018	Ercole Auffray et al.

OTHER PUBLICATIONS

Black arch steel decorative shelf bracket, [www.homedepot.com](http://www.homedepot.com), accessed Dec. 19, 2016, 2 pages.

ClosetMaid 1409 Shelving Hang Rod Support Hook, posted at [amazon.com](http://amazon.com), posting date Jan. 11, 2018, (online), (site visited Apr. 5, 2018). Available from Internet, URL: [https://www.amazon.com/ClosetMaid-1408-Premium-Shelving\\_nickel-Hang/dp/B074VC8LK4](https://www.amazon.com/ClosetMaid-1408-Premium-Shelving_nickel-Hang/dp/B074VC8LK4), (year 2018).

ClosetMaid 8908 Suite Symphony Center Rod Bracket, posted at [amazon.com](http://amazon.com), posting date Apr. 5, 2016, (online), (site visited Apr. 5, 2018). Available from Internet, URL: [https://www.amazon.com/closeMaid-8908-SuiteSymphony-Center\\_braket/dp/B0062NY4SS](https://www.amazon.com/closeMaid-8908-SuiteSymphony-Center_braket/dp/B0062NY4SS), (year 2016).

KV Hanging Rod Saddle for Shelf Bracket, posted at [amazon.com](http://amazon.com), posting date not given, (online), (site visited Apr. 5, 2018). Available from Internet, URL: <https://www.amazon.com/Hanging-Saddle-Shelf-Bracket-Anochrome/dp/B000WIW1k1>, (year 2018).

Tejatan set of 6 Curtain Rod Brackets, posted at [amazon.com](http://amazon.com), posting date Jun. 15, 2017, (online), (site visited Apr. 5, 2018). Available from Internet, URL: <https://www.amazon.com/TEJATAN-Curtain-Rod-Brackets-Draperies/dp/B072P6FY5H>, (year 2017).

\* cited by examiner

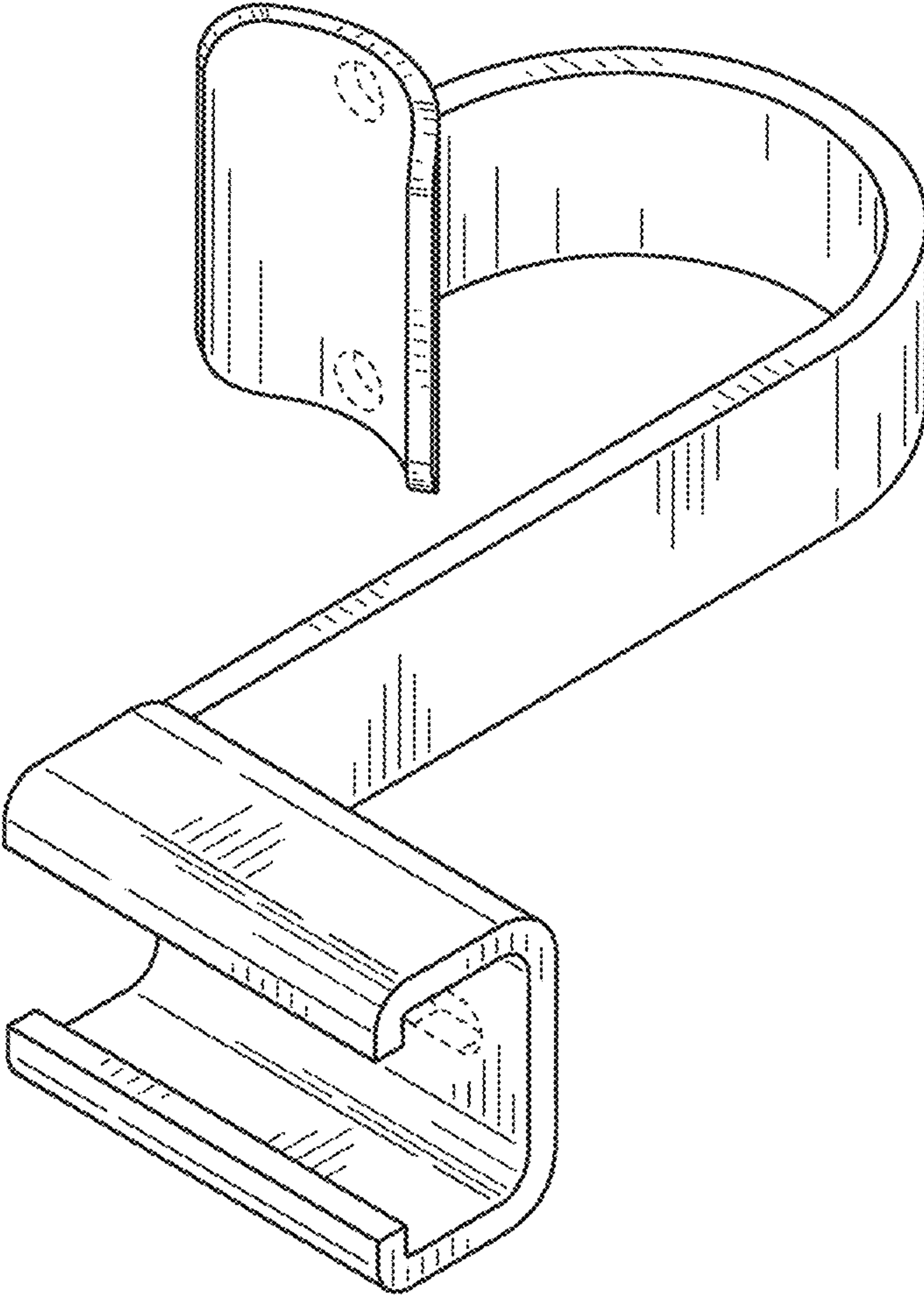


FIG. 1

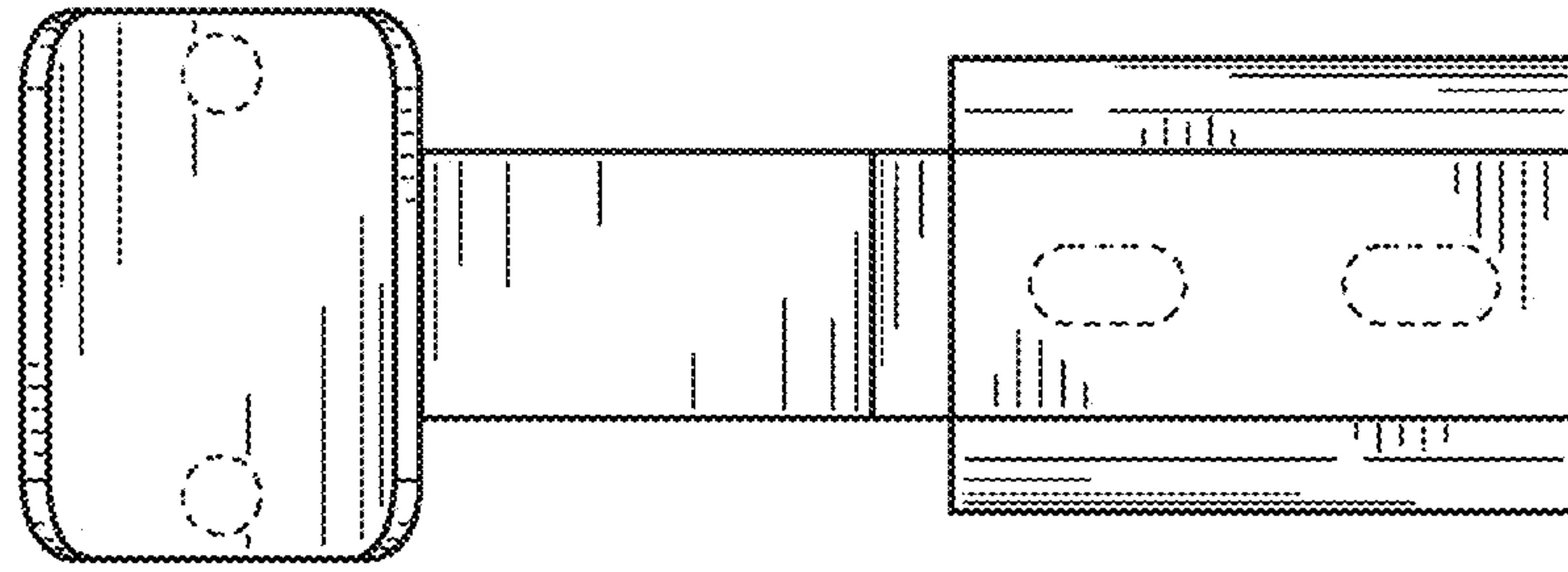


FIG. 2

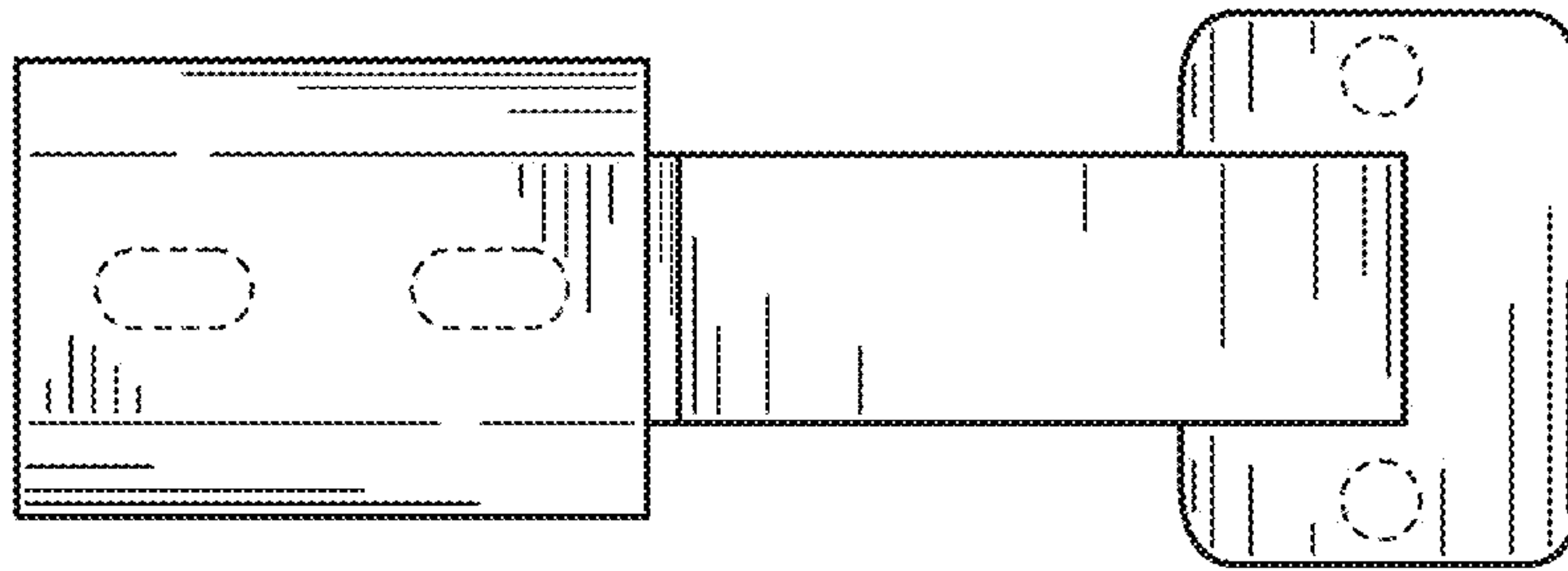


FIG. 3

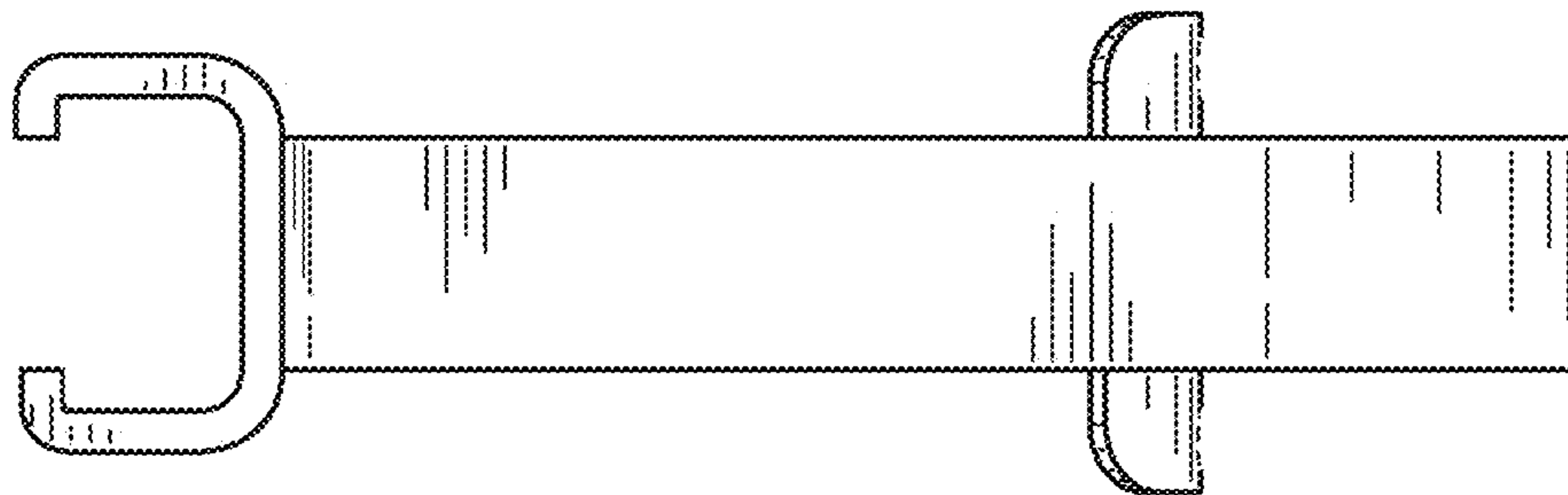


FIG. 4

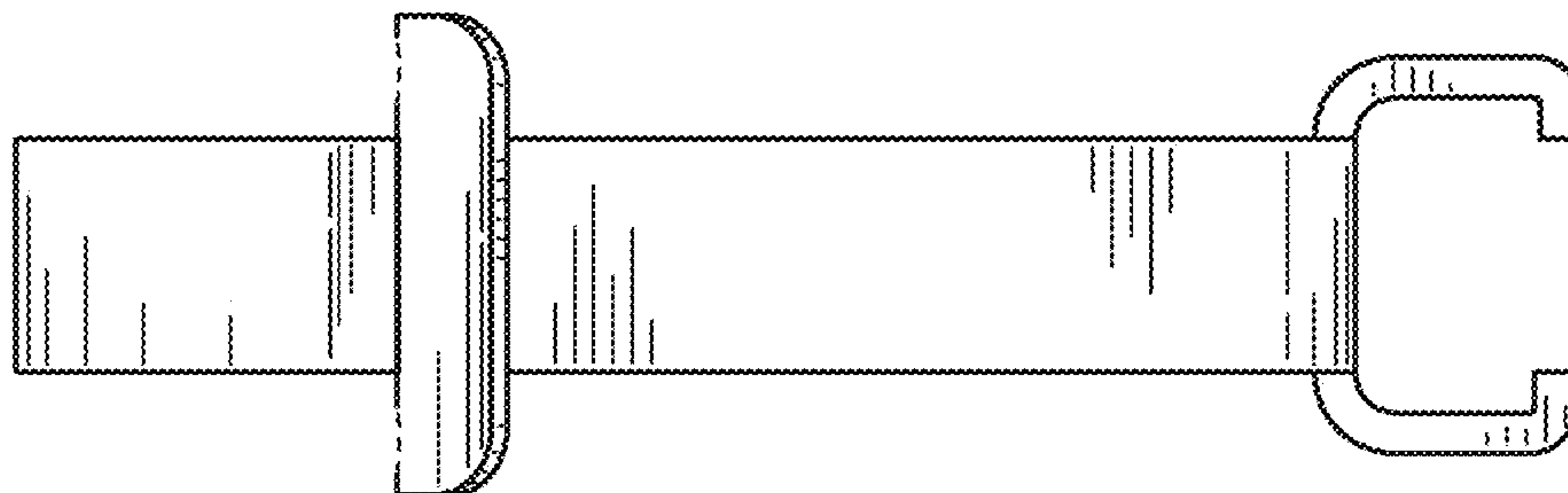


FIG. 5



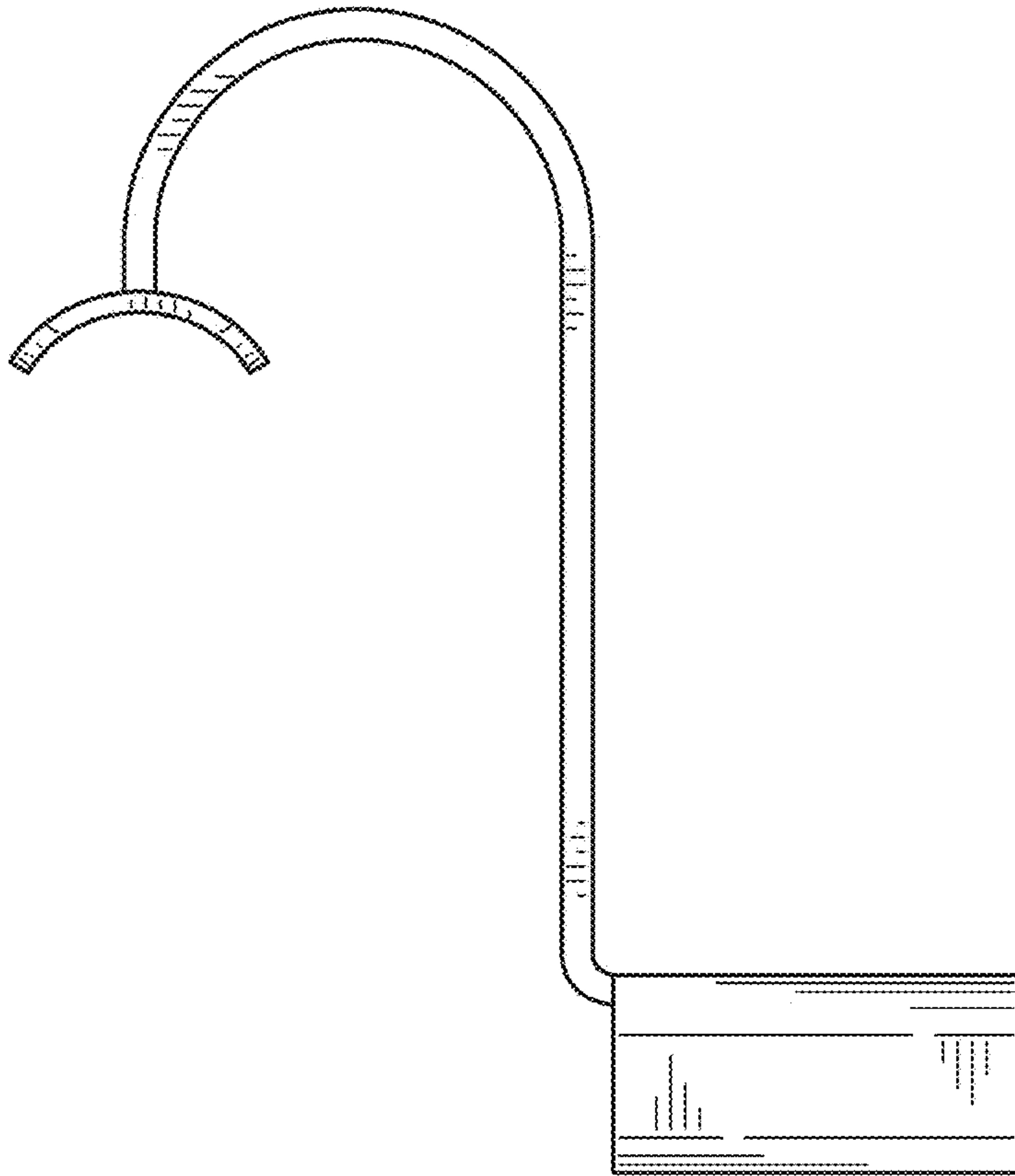


FIG. 6

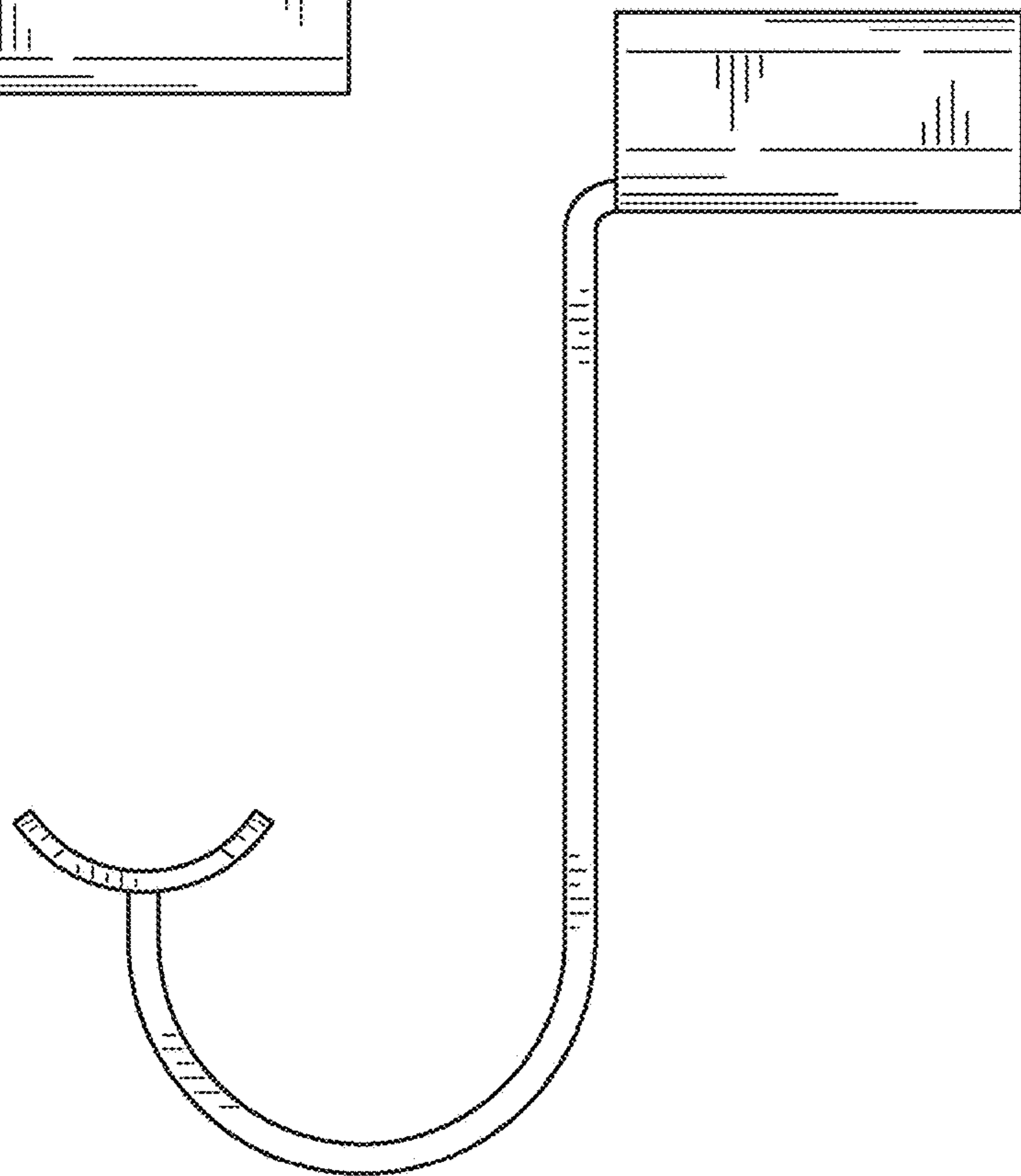


FIG. 7