



US00D932286S

(12) **United States Design Patent**
Koh

(10) **Patent No.:** **US D932,286 S**

(45) **Date of Patent:** **** Oct. 5, 2021**

(54) **TABLE FRAME**

(71) Applicant: **Tuang-Hock Koh**, Taichung (TW)

(72) Inventor: **Tuang-Hock Koh**, Taichung (TW)

(73) Assignee: **HARVEST-EXCEL
INTERNATIONAL PTE. LTD.**,
Taichung (TW)

(**) Term: **15 Years**

(21) Appl. No.: **29/731,392**

(22) Filed: **Apr. 15, 2020**

(51) **LOC (13) Cl.** **08-05**

(52) **U.S. Cl.**
USPC **D8/354; D8/382**

(58) **Field of Classification Search**
USPC D8/354, 349, 387, 373, 374, 382, 394,
D8/380; D6/329, 641, 553, 685
CPC A47B 2230/14; A47B 2220/0044; A47B
17/02; F16B 12/52
See application file for complete search history.

(56) **References Cited**

U.S. PATENT DOCUMENTS

1,953,377	A *	4/1934	Uline	F16B 12/46 403/65
2,143,542	A *	1/1939	Clarín	F16B 12/46 248/188
3,590,753	A *	7/1971	Blink	A47B 7/02 248/188
3,754,728	A *	8/1973	Bowman	F16B 12/52 248/188
6,450,107	B1 *	9/2002	Sanz Novales	A47B 13/003 108/153.1
D535,552	S *	1/2007	Neunzert	D8/387
D649,383	S *	11/2011	Killian	D6/709
8,596,593	B2 *	12/2013	Saffell	A47B 13/003 248/188

10,288,096 B2 * 5/2019 Del Missier F16B 3/00
D874,912 S * 2/2020 Lin D8/382
2016/0003276 A1 * 1/2016 Moller Hansen A47B 13/003
403/116

* cited by examiner

Primary Examiner — Keli L Hill
Assistant Examiner — Harold E Blackwell, II

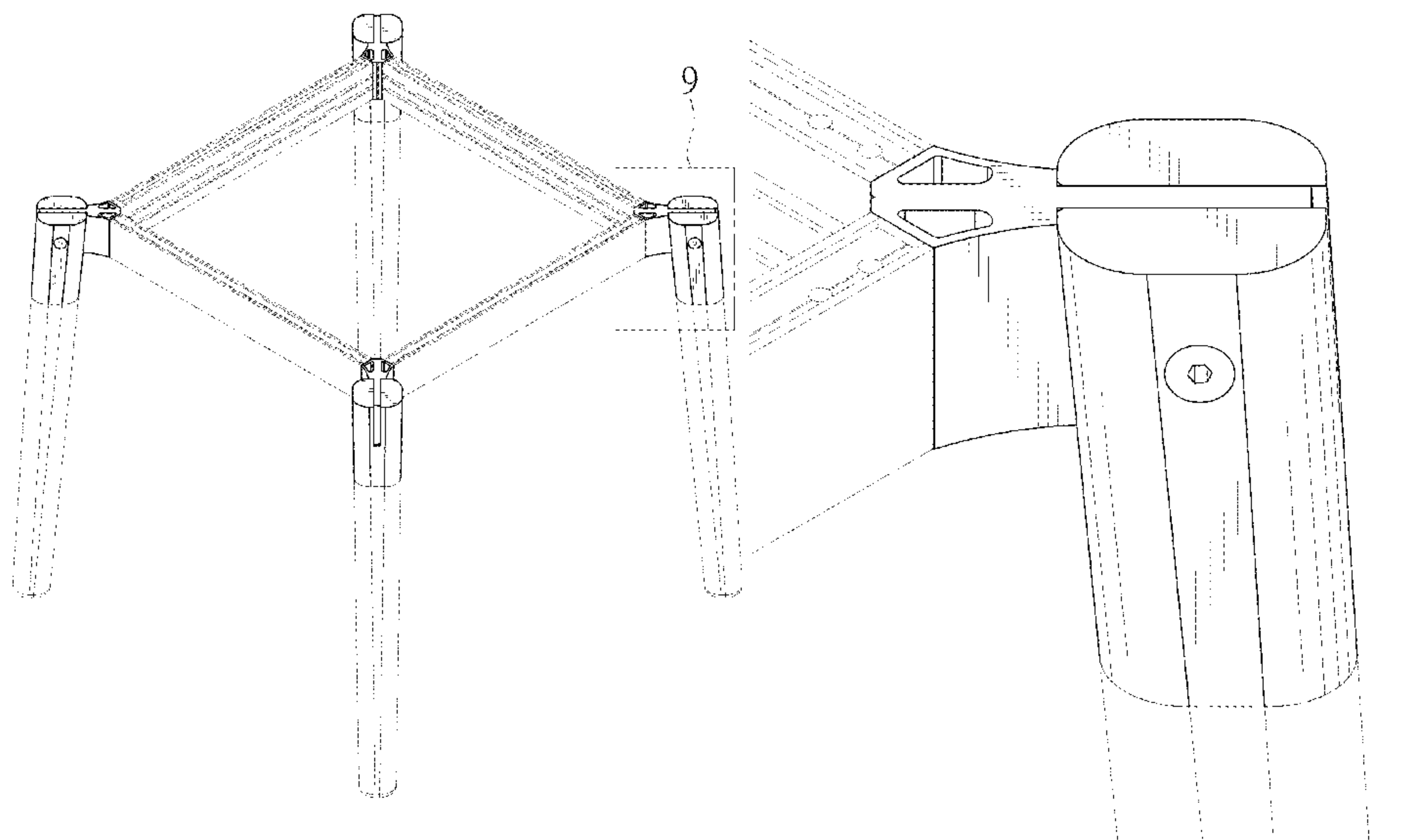
(57) **CLAIM**

The ornamental design for a table frame, as shown and described.

DESCRIPTION

FIG. 1 is a front-right-top perspective view of the table frame showing my new design;
FIG. 2 is a front elevational view thereof;
FIG. 3 is a rear front elevational view thereof;
FIG. 4 is a left side elevational view thereof;
FIG. 5 is a right side elevational view thereof;
FIG. 6 is a top plan view thereof;
FIG. 7 is a bottom plan view thereof;
FIG. 8 is a bottom perspective view thereof;
FIG. 9 is a portion of FIG. 1 enlarged for magnification purposes;
FIG. 10 is a portion of FIG. 1 enlarged for magnification purposes;
FIG. 11 is a front-right-top perspective, exploded view thereof; and,
FIG. 12 is a reference view thereof, showing the table frame in use.
The dot dash dot lines immediately adjacent to the shaded areas represent bounds of the claimed design. The broken line showing of the table seen in FIG. 12 is directed to environment while all other broken lines included for the purpose of illustrating portions of the table frame; all of the broken lines form no part of the claimed design.

1 Claim, 12 Drawing Sheets



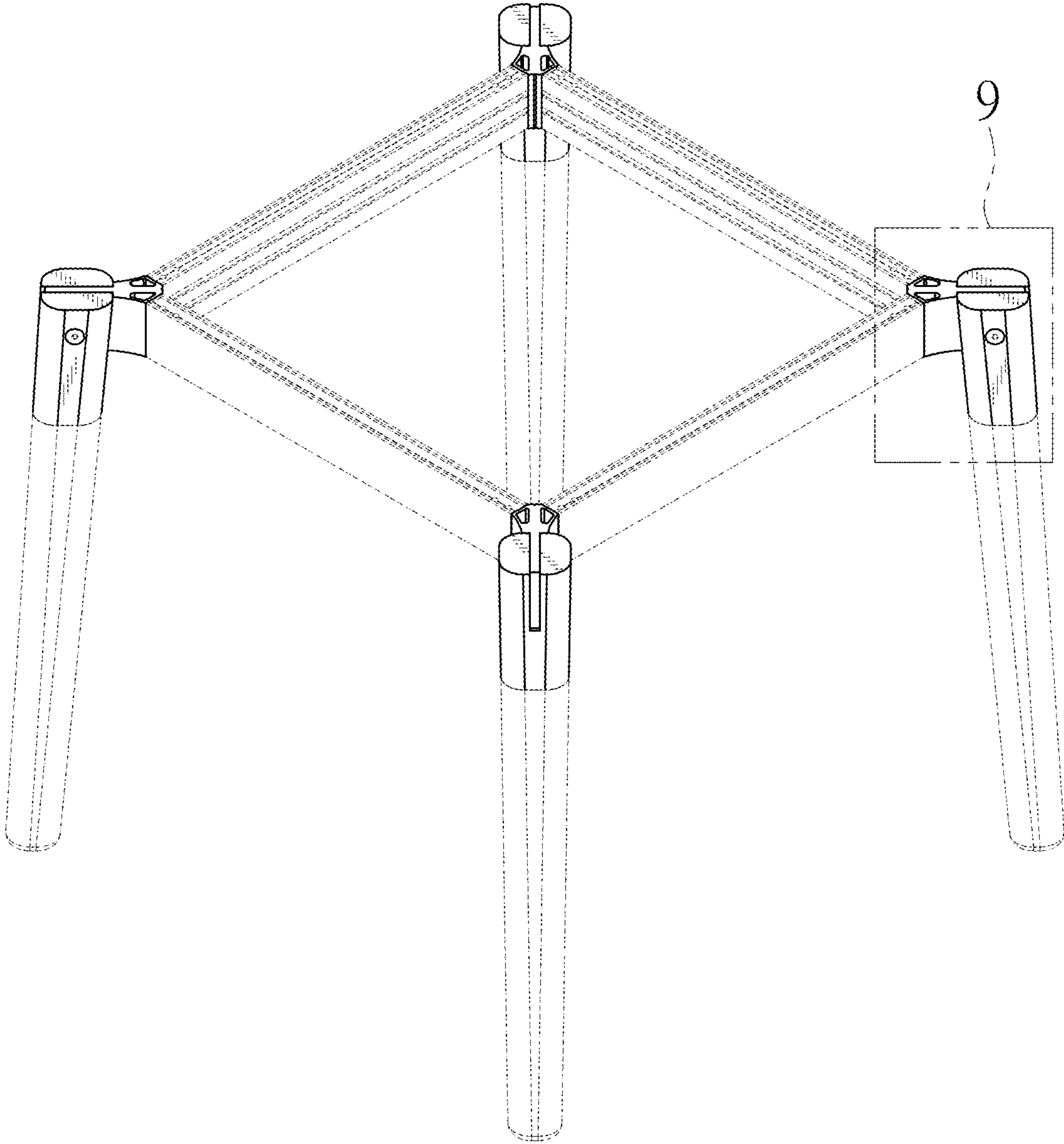


FIG.1

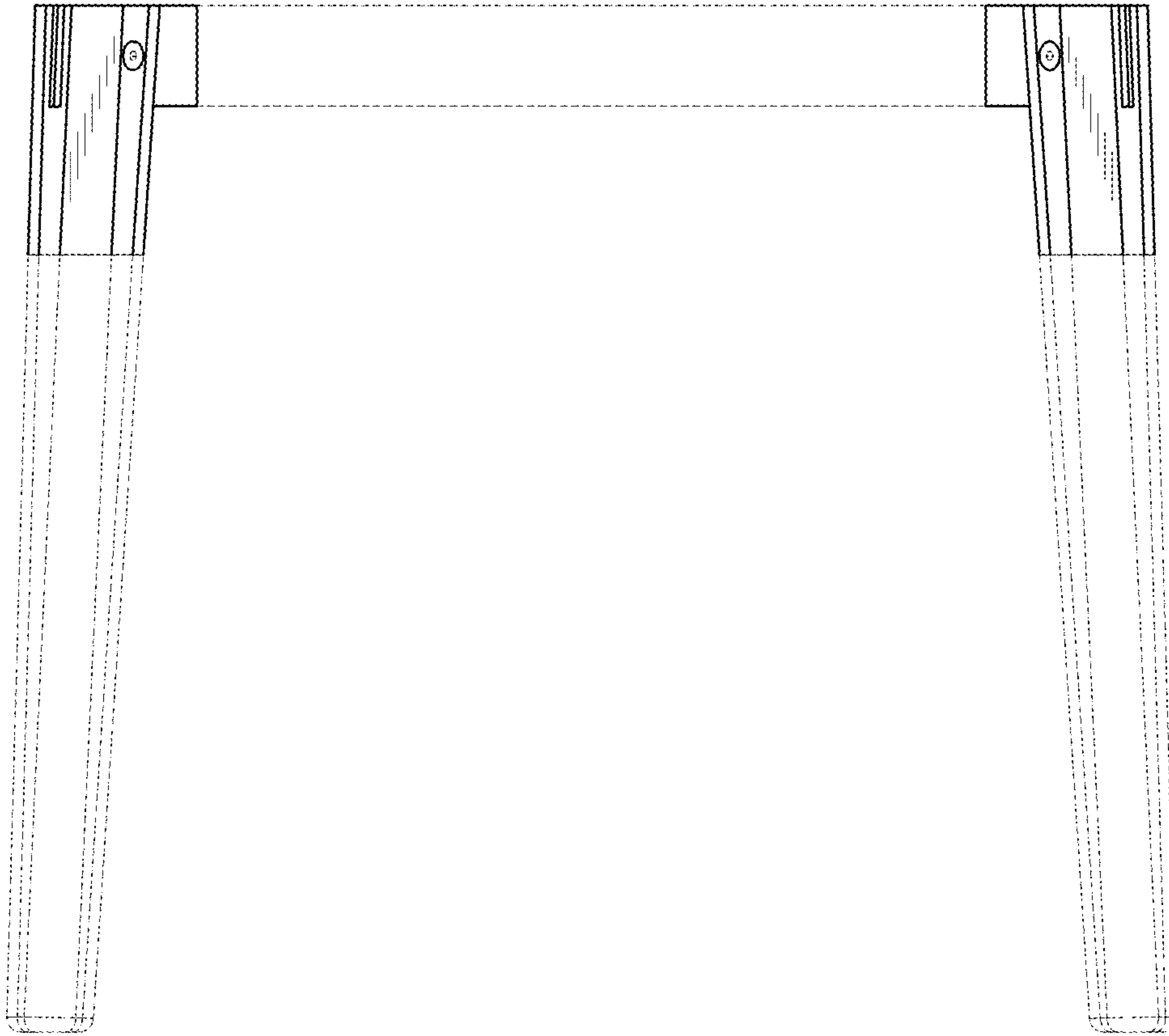


FIG.2

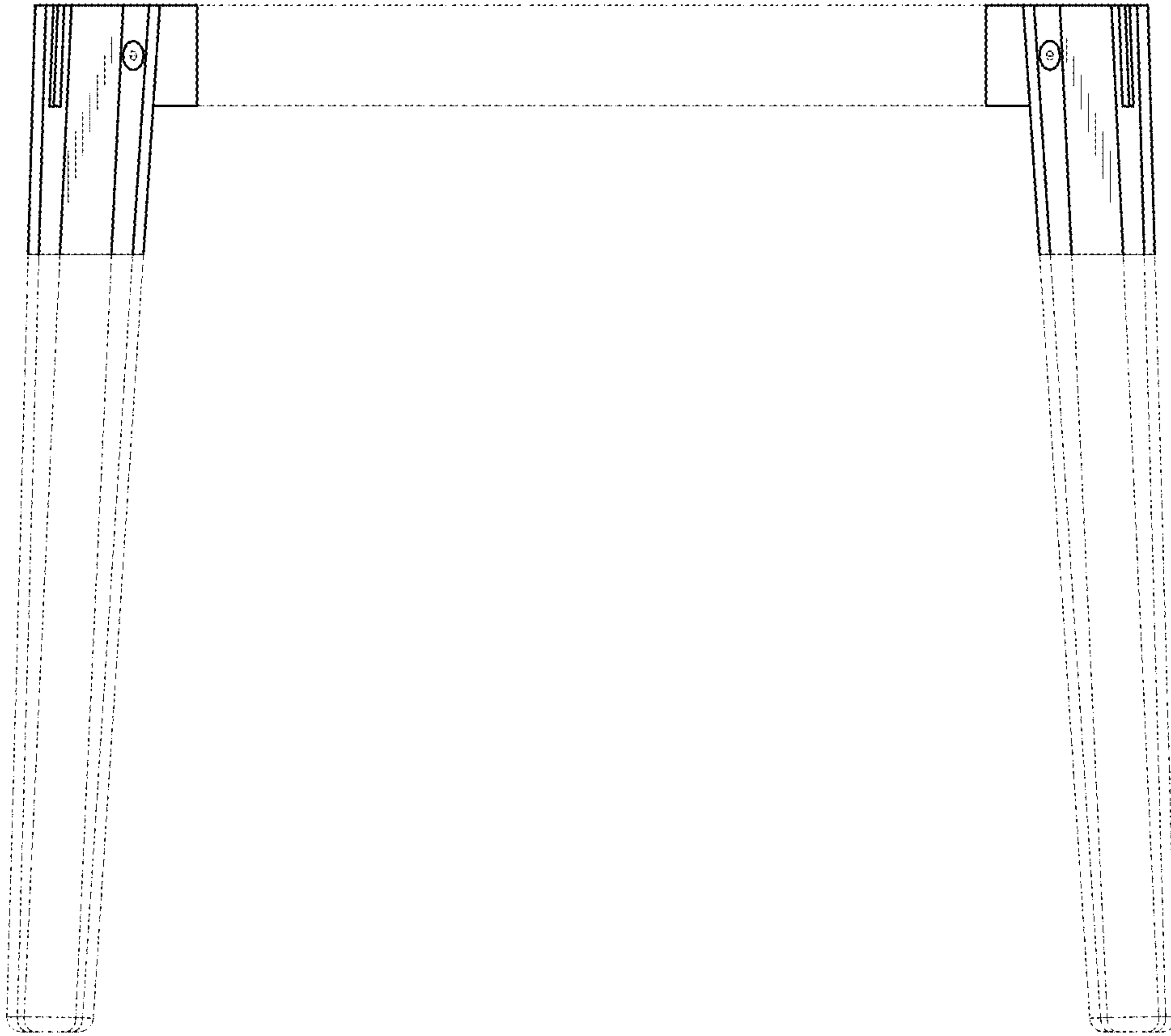


FIG.3

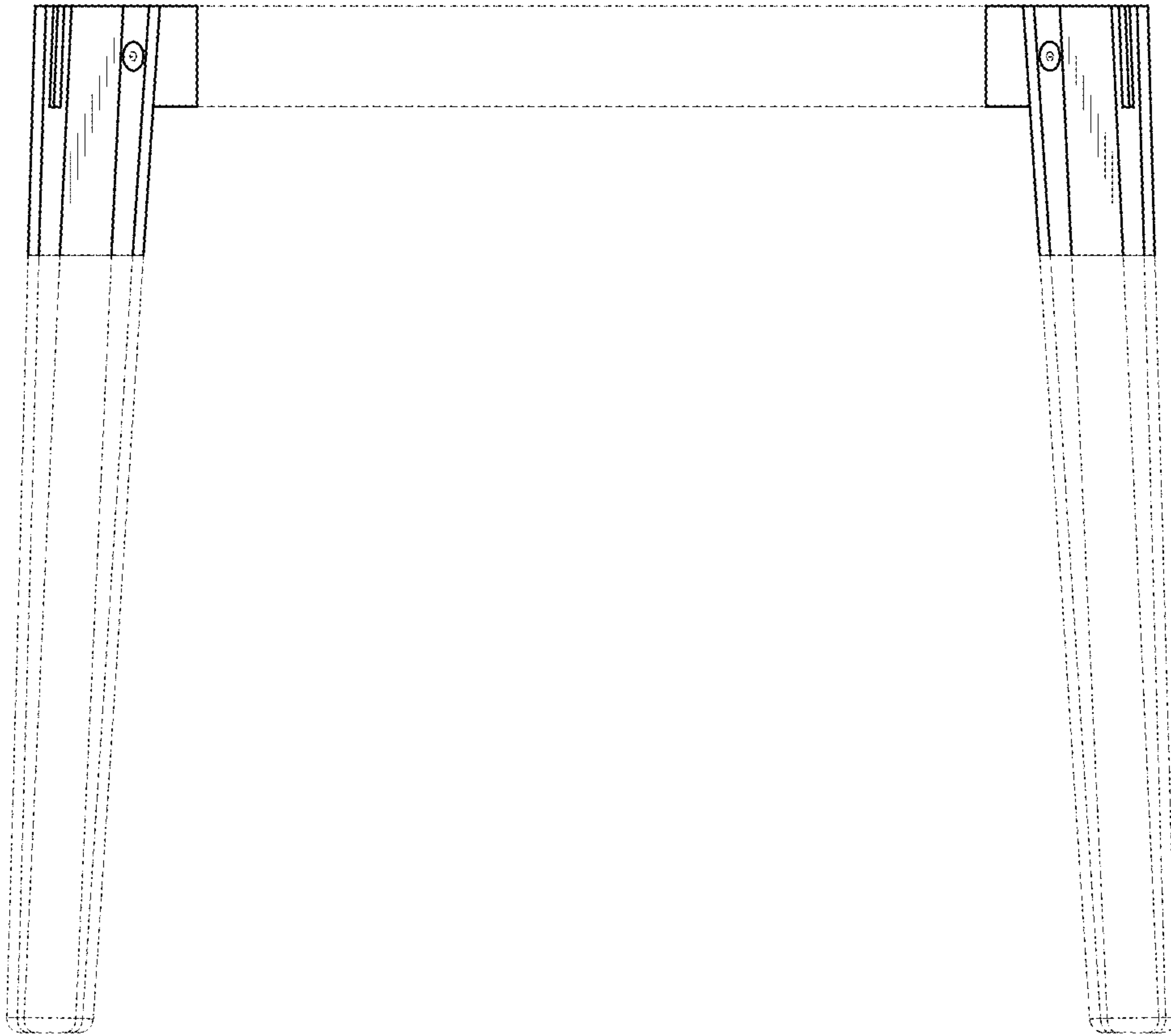


FIG.4

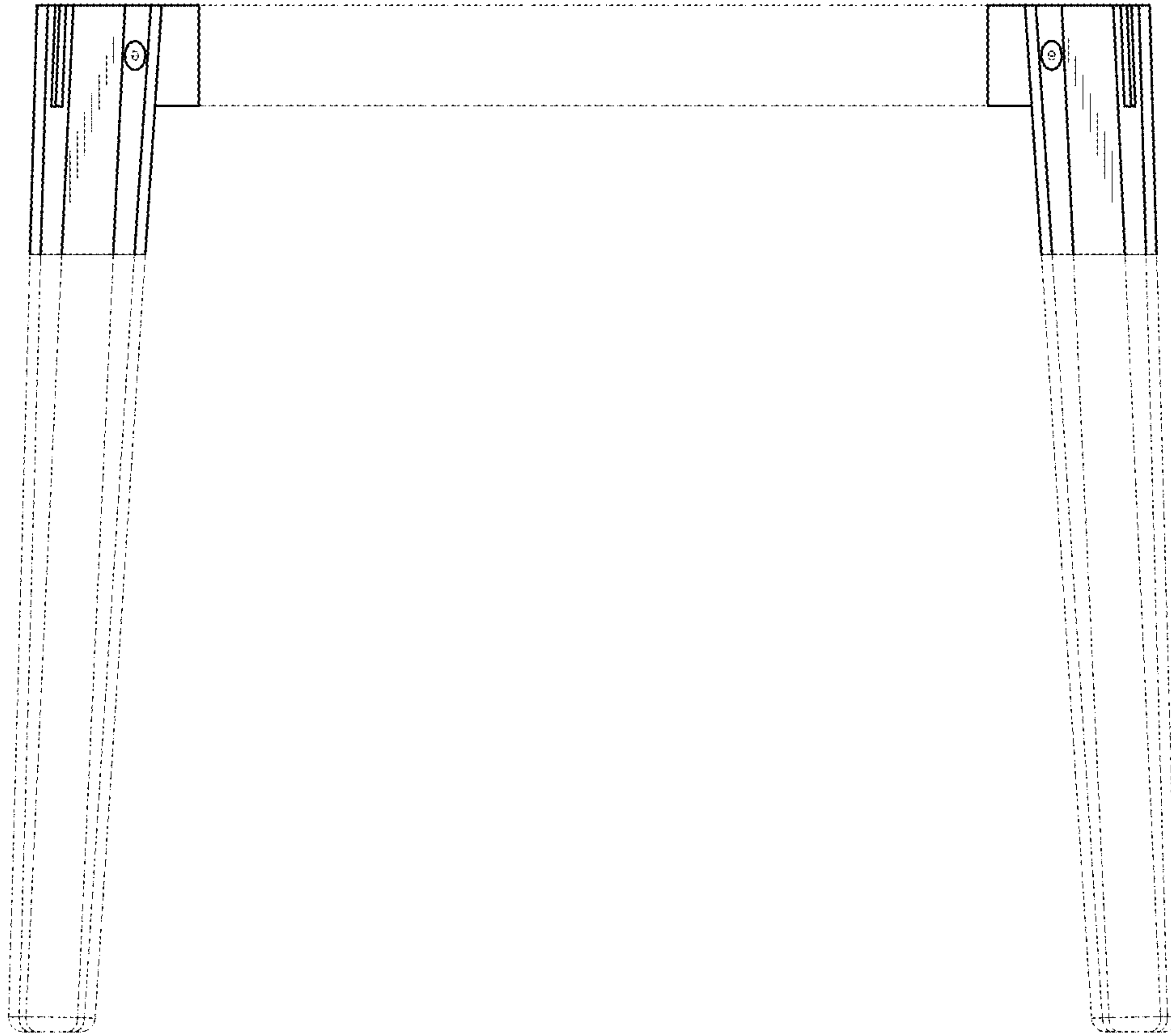


FIG.5

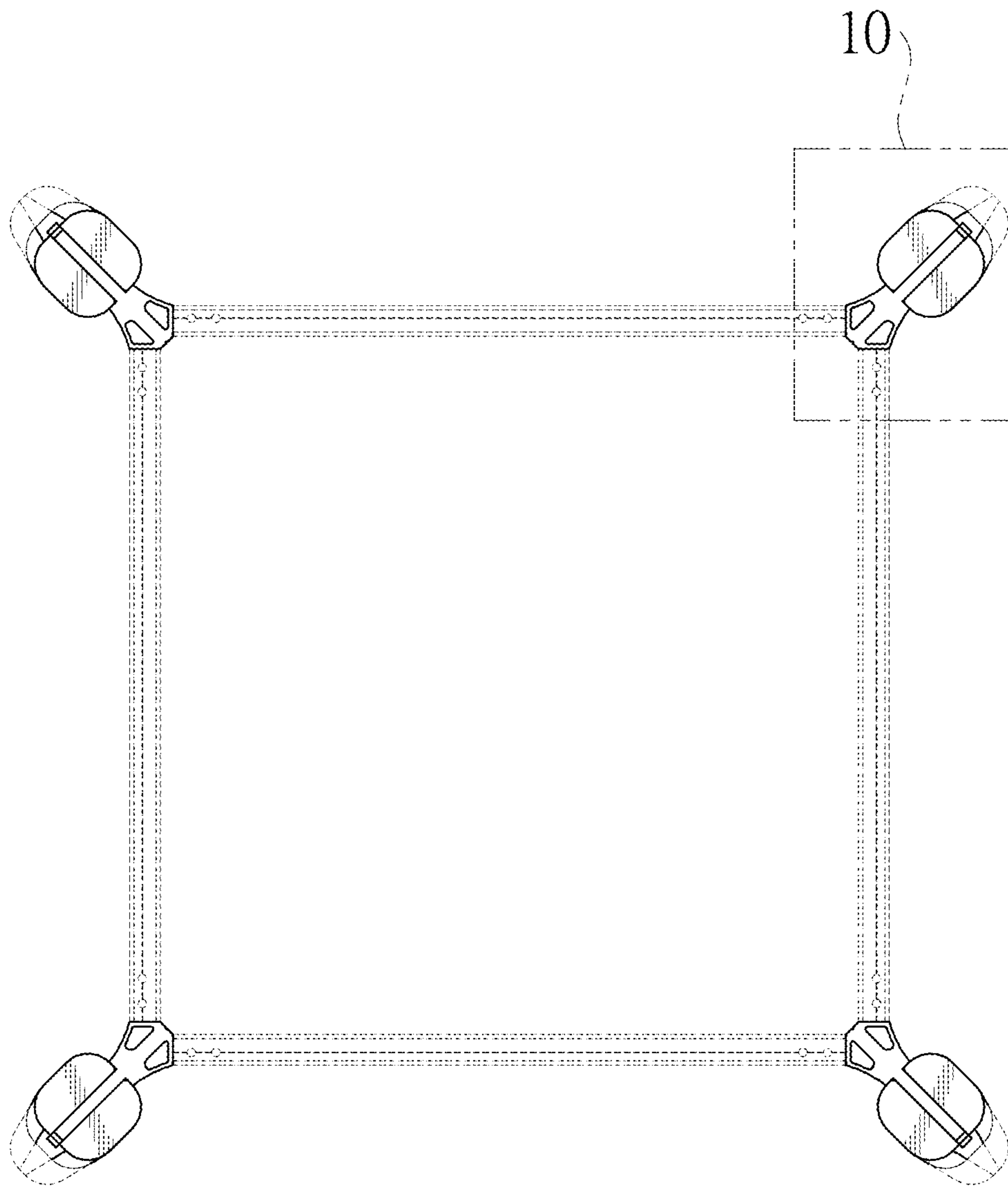


FIG.6

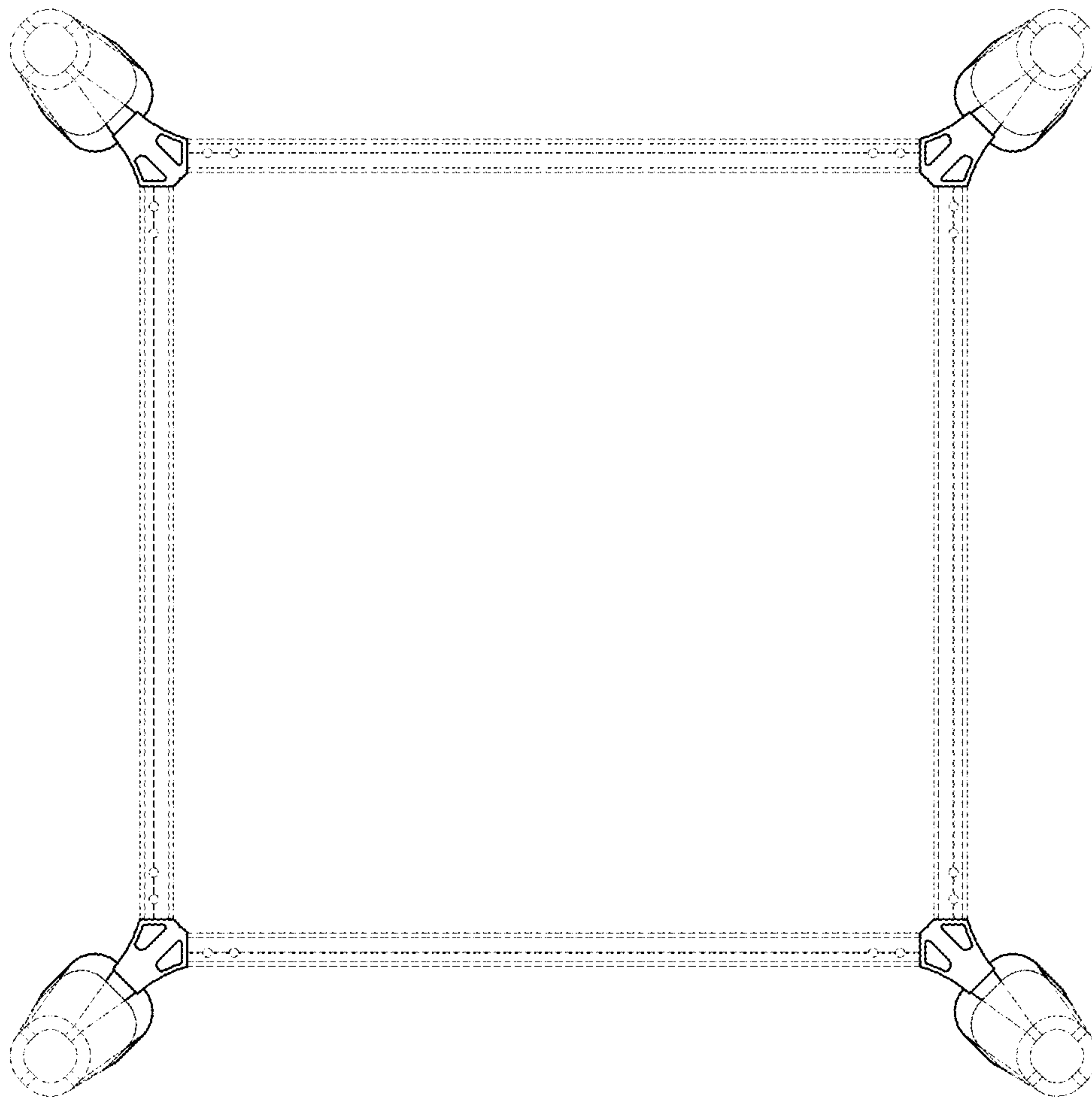


FIG.7

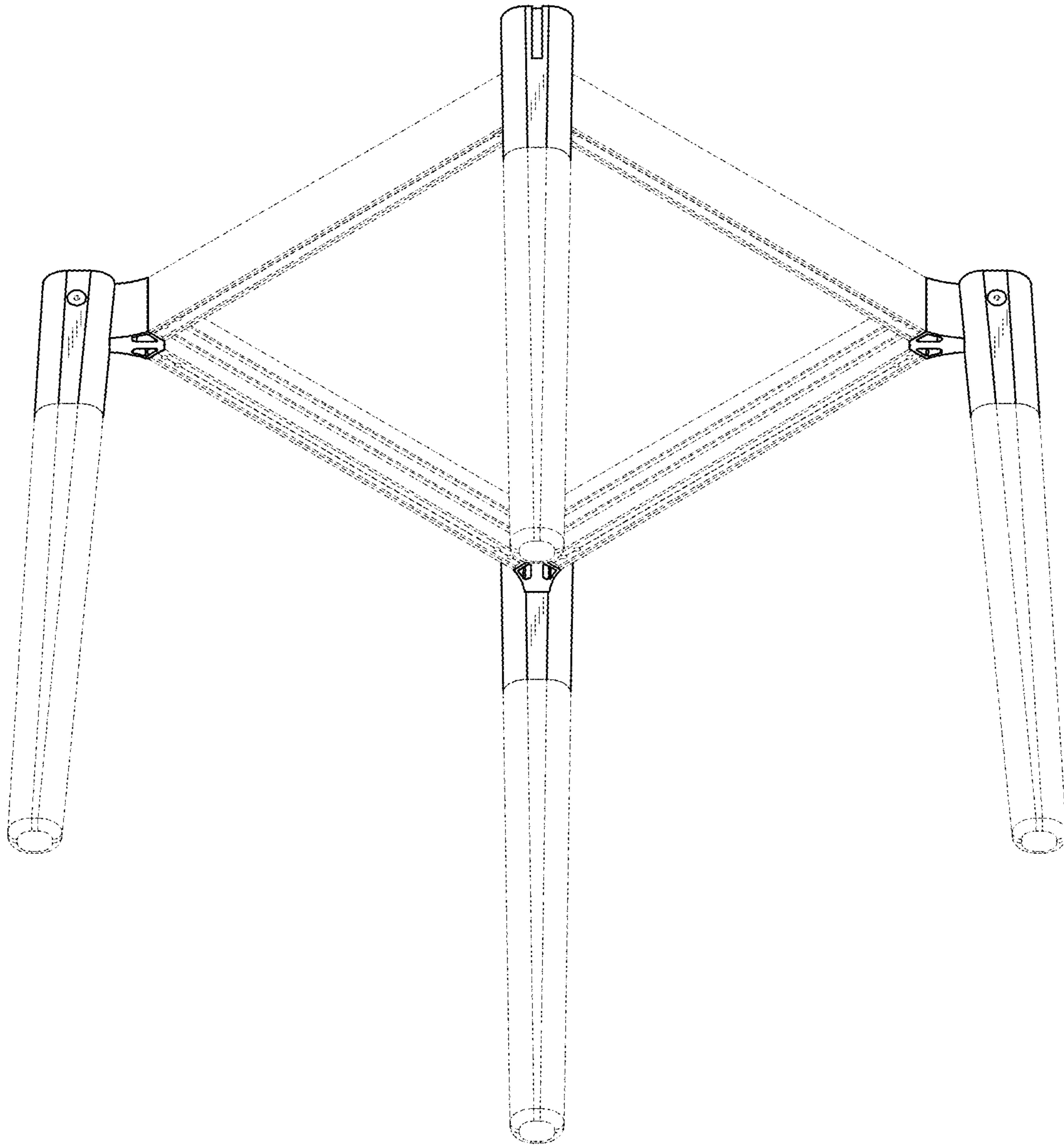


FIG.8

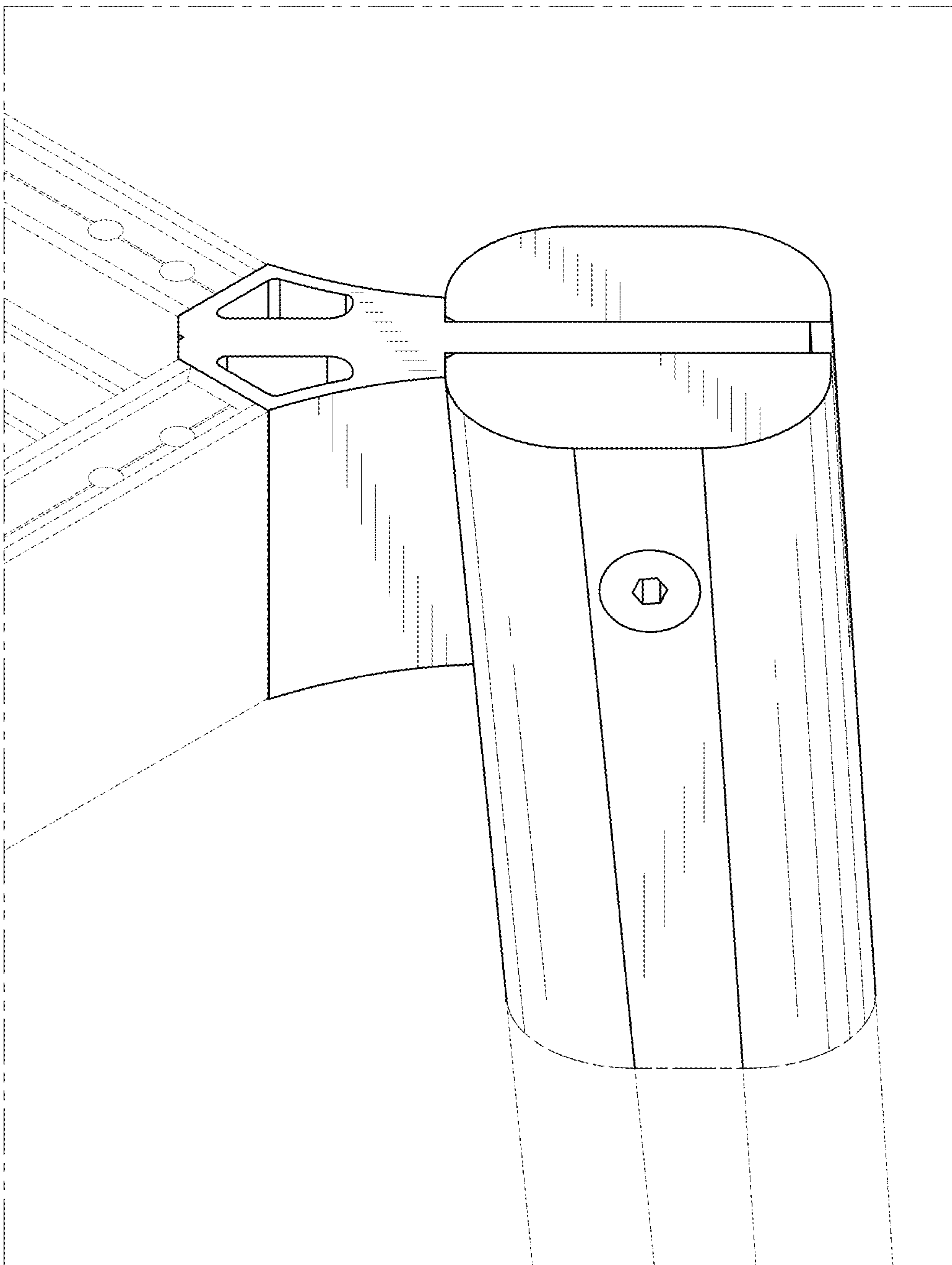


FIG.9

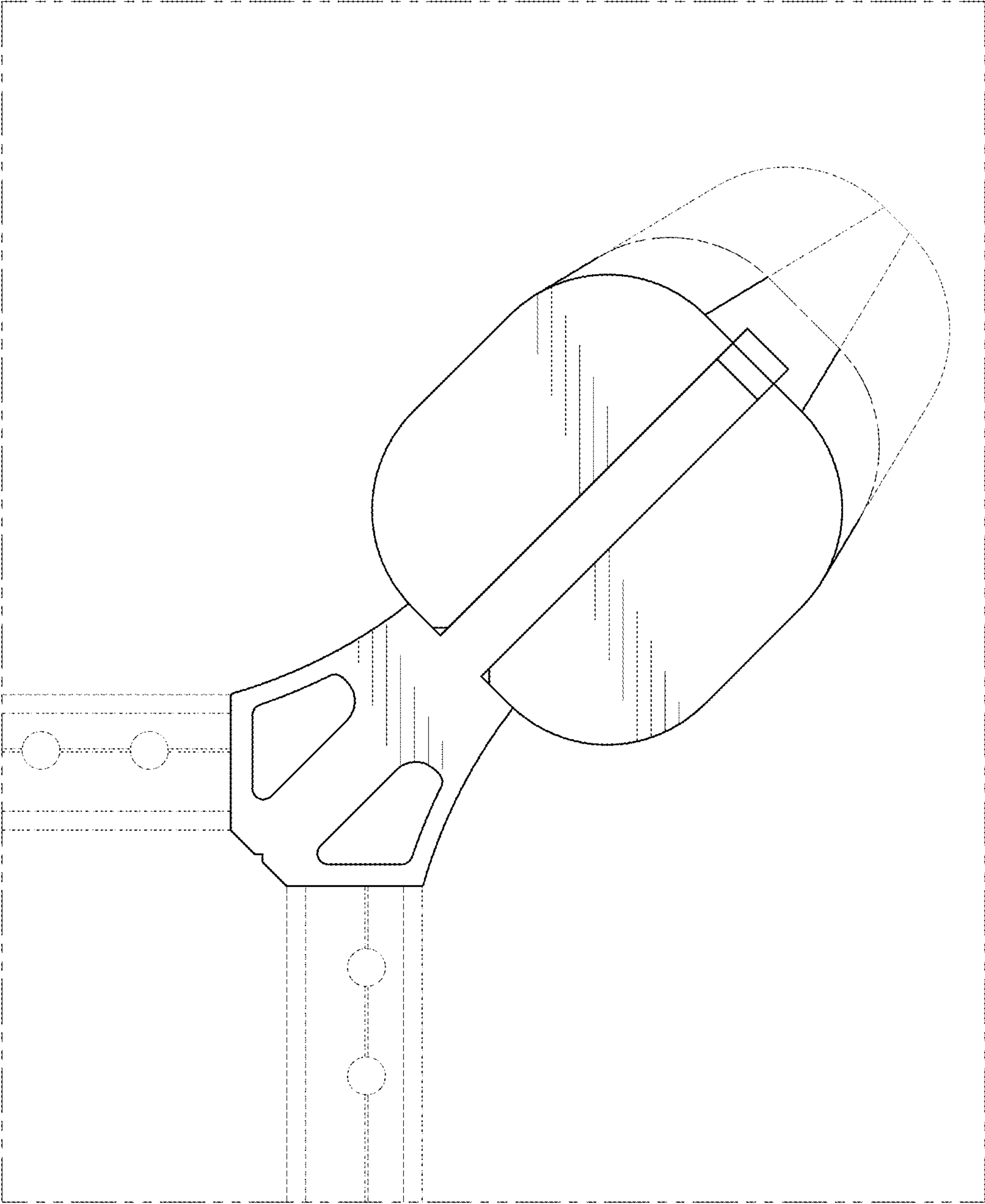


FIG.10

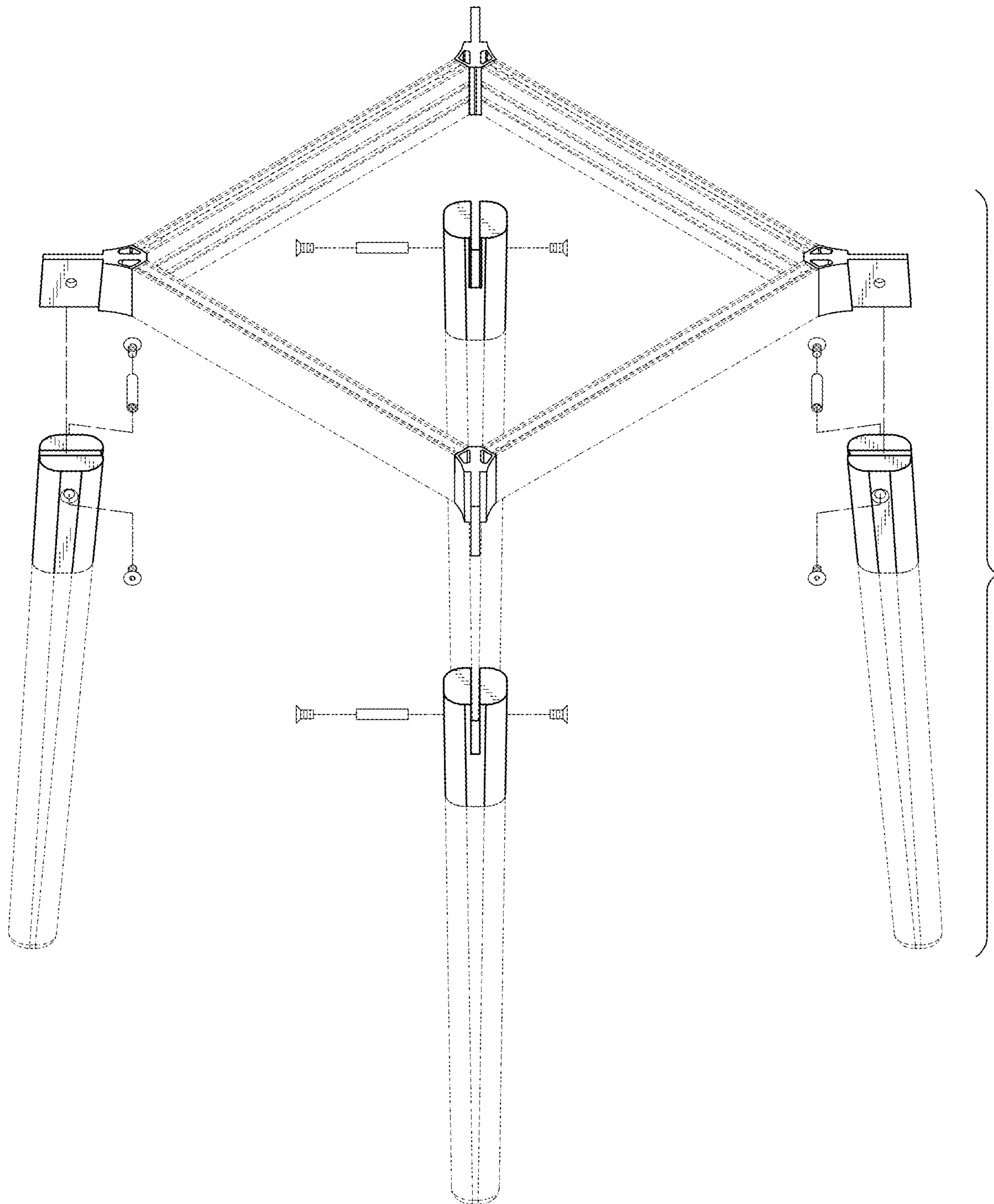


FIG.11

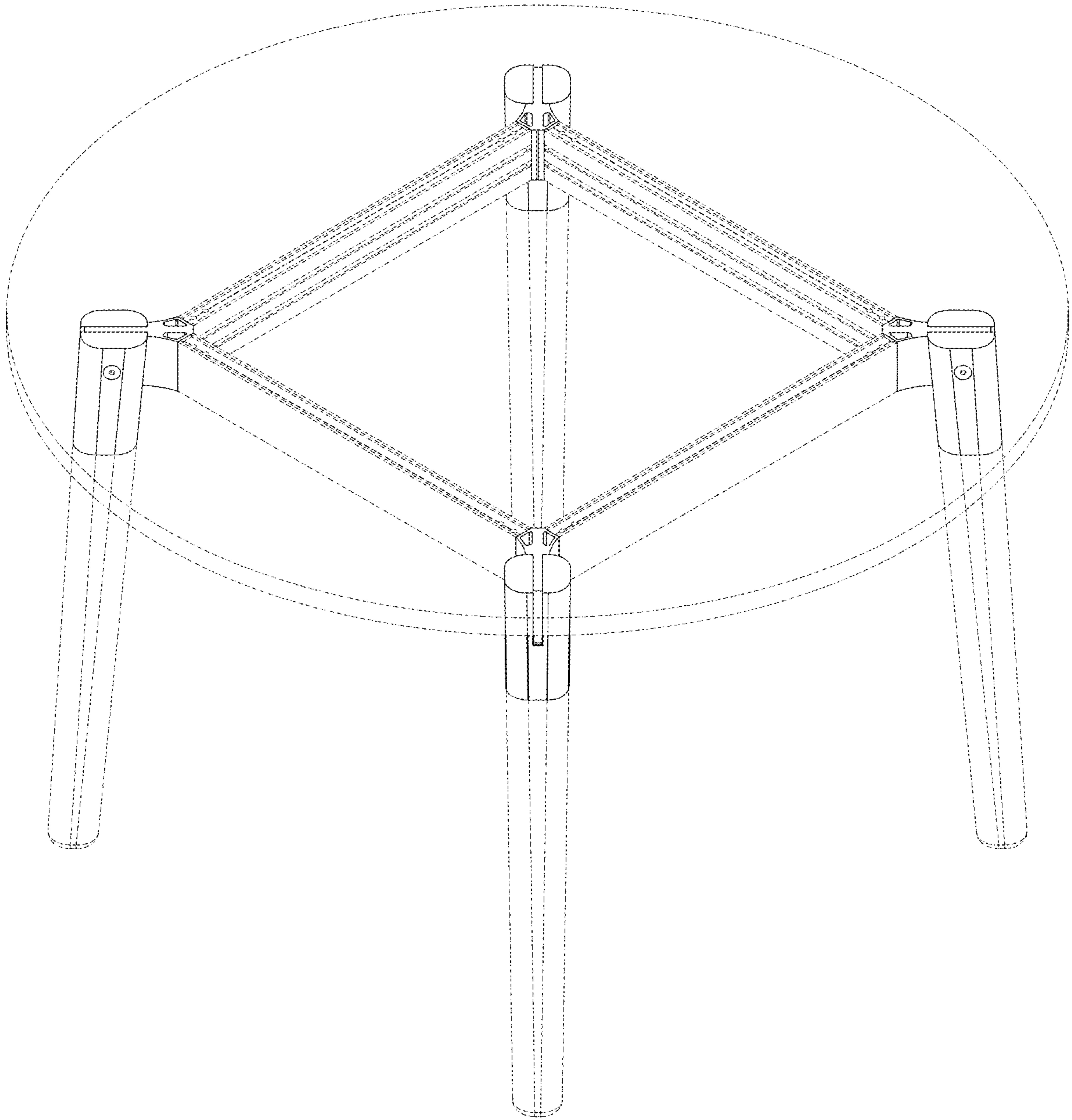


FIG.12