



US00D932283S

(12) **United States Design Patent**
Yang

(10) **Patent No.:** **US D932,283 S**

(45) **Date of Patent:** **** Oct. 5, 2021**

(54) **COMPUTER LOCK**

(71) Applicant: **Dongguan Guofeng Manufacture CO., LTD**, Dongguan (CN)

(72) Inventor: **Efron Yang**, Dongguan (CN)

(**) Term: **15 Years**

(21) Appl. No.: **29/740,523**

(22) Filed: **Jul. 6, 2020**

(51) **LOC (13) Cl.** **08-07**

(52) **U.S. Cl.**
USPC **D8/333**

(58) **Field of Classification Search**
USPC D25/333
CPC E05B 65/466; E05B 65/0067; E05B 73/0082; Y10T 292/087; Y10T 292/0872
See application file for complete search history.

(56) **References Cited**

U.S. PATENT DOCUMENTS

- 5,974,840 A * 11/1999 Kao E05B 73/0005
248/551
- 6,742,366 B1 * 6/2004 Lai E05B 37/025
70/30

7,360,379 B1 * 4/2008 Lopez E05B 37/0034
206/320

7,565,824 B1 * 7/2009 Gleason E05B 73/0005
248/552

D786,047 S * 5/2017 Mack D8/333

* cited by examiner

Primary Examiner — Doris Clark

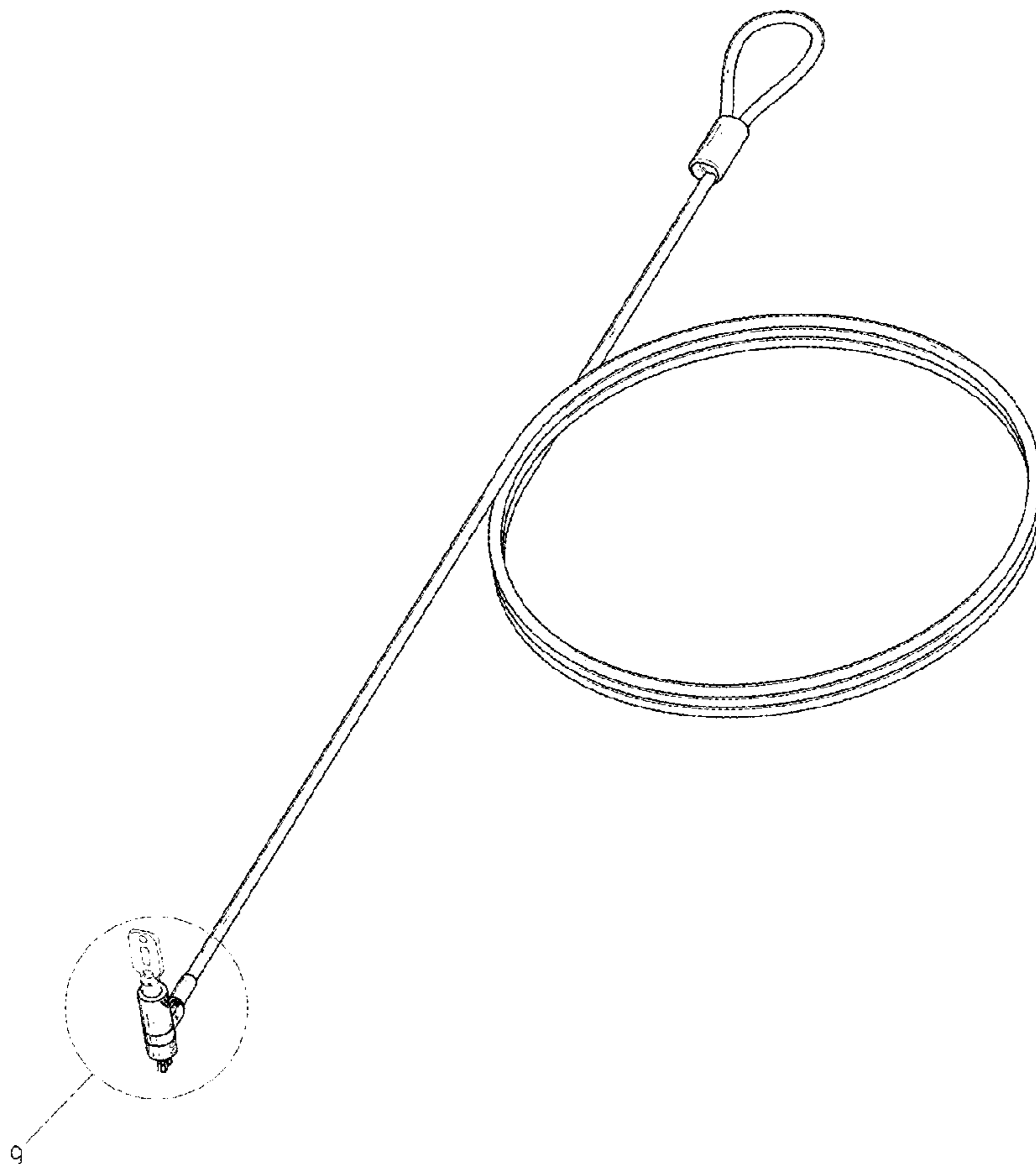
(57) **CLAIM**

The ornamental design for a computer lock, as shown and described.

DESCRIPTION

FIG. 1 is a first perspective view of a computer lock showing my new design;
 FIG. 2 is a second perspective view thereof;
 FIG. 3 is a front view thereof;
 FIG. 4 is a back view thereof;
 FIG. 5 is a left side view thereof;
 FIG. 6 is a right side view thereof;
 FIG. 7 is a top view thereof;
 FIG. 8 is a bottom view thereof; and,
 FIG. 9 is an enlarged view of the selected portion in FIG. 1.
 The broken lines shown in the drawings depict portions of the computer lock in which the design is embodied that form no part of the claimed design.

1 Claim, 9 Drawing Sheets



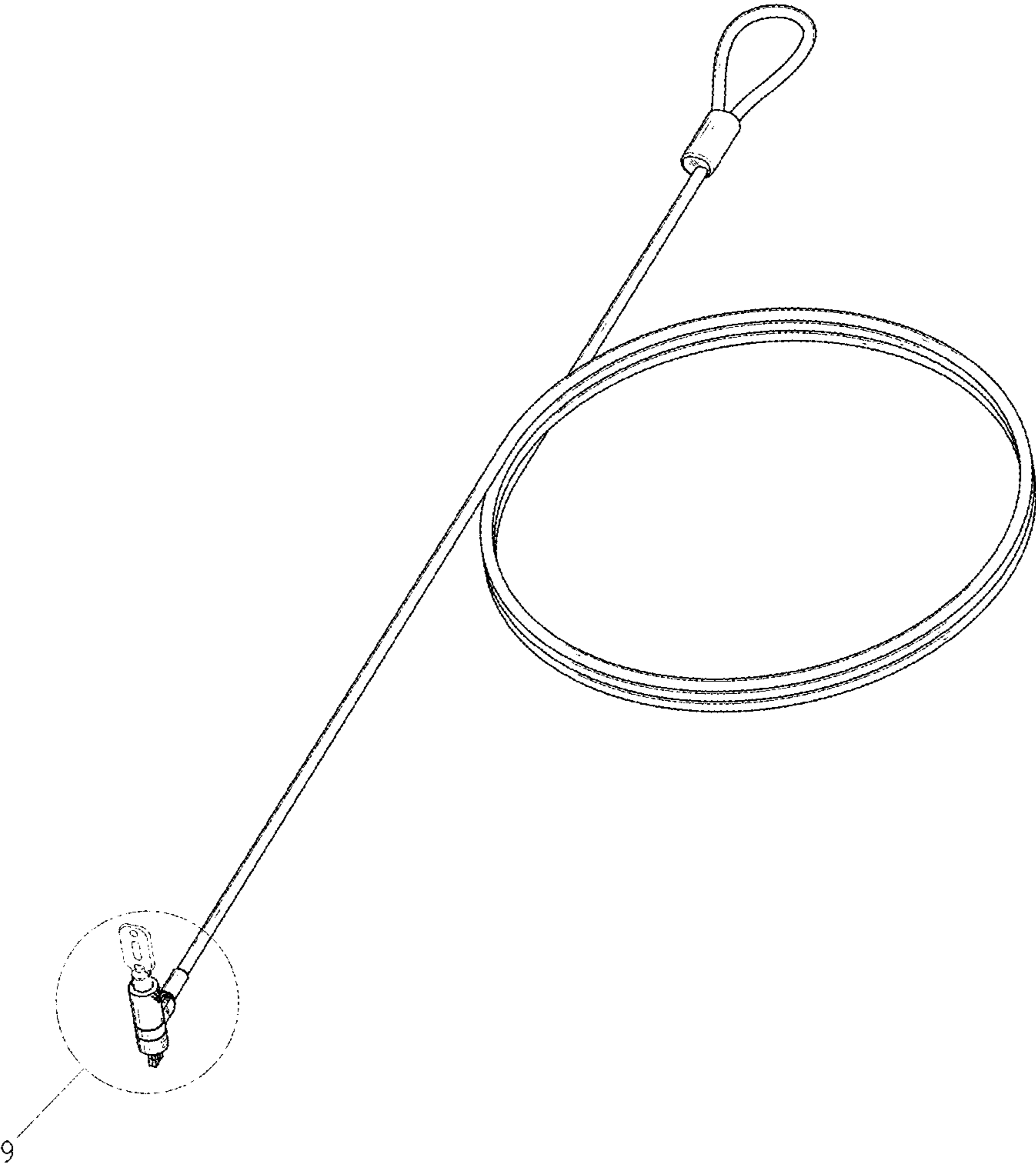


FIG. 1

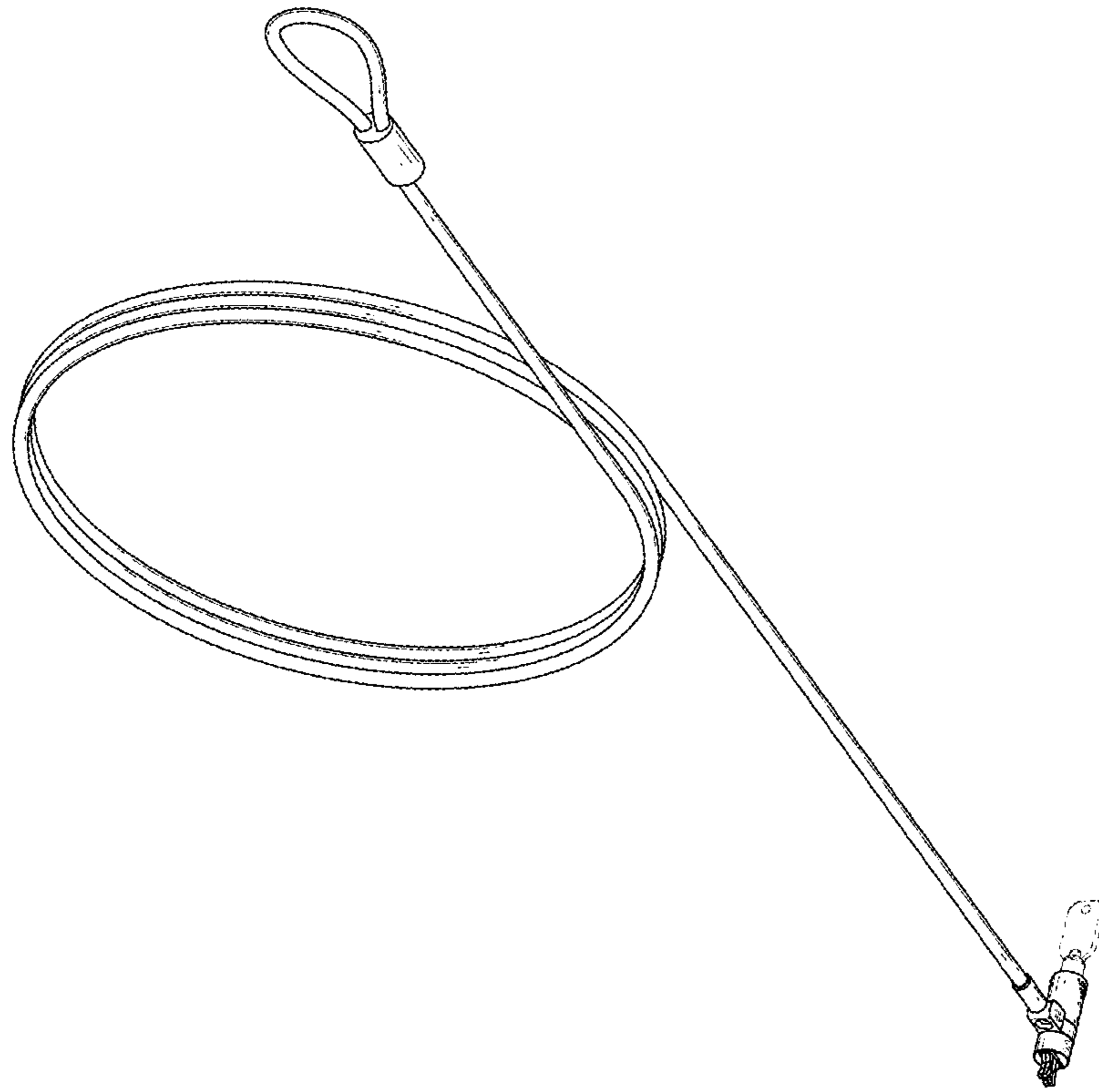


FIG. 2

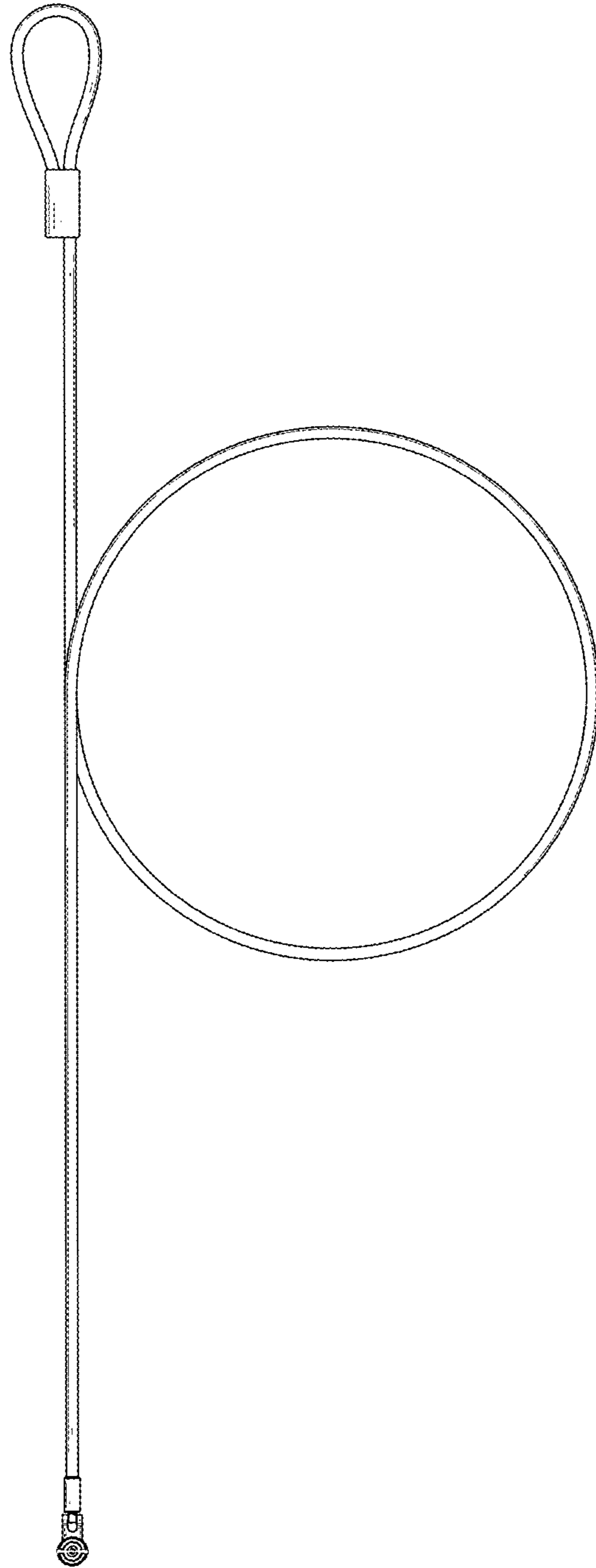


FIG. 3

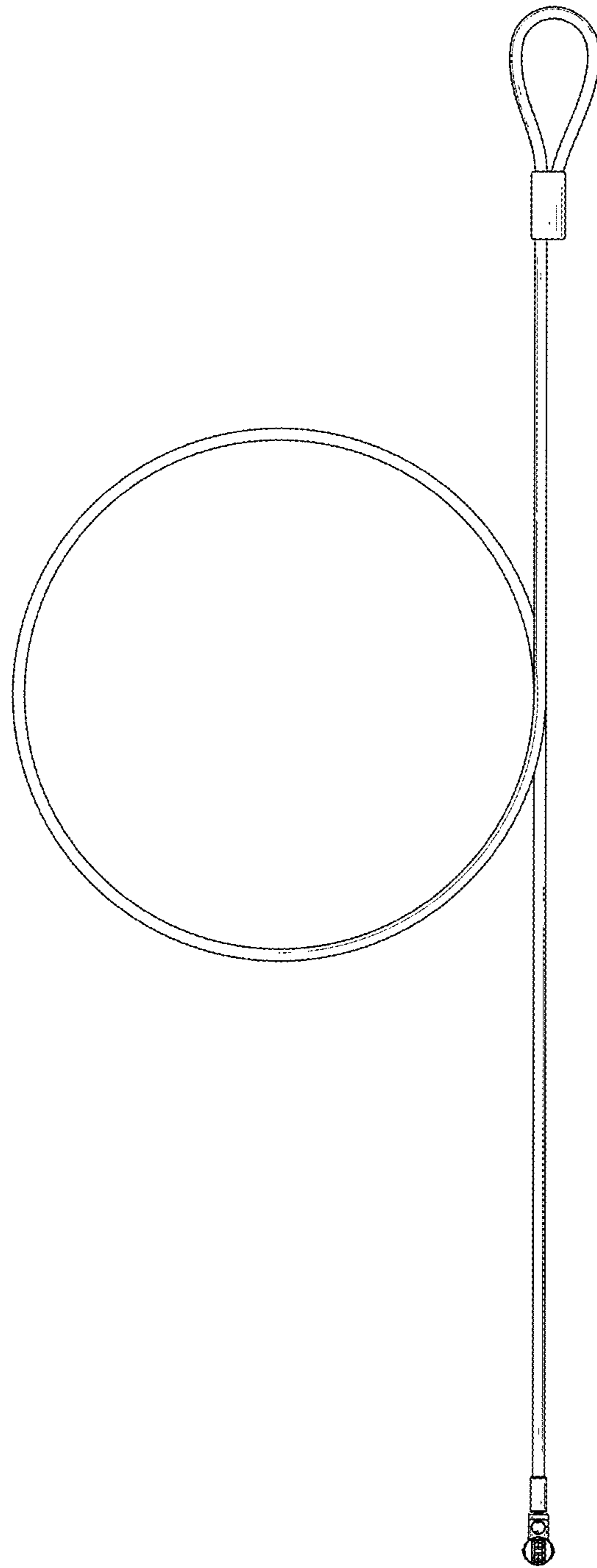


FIG. 4

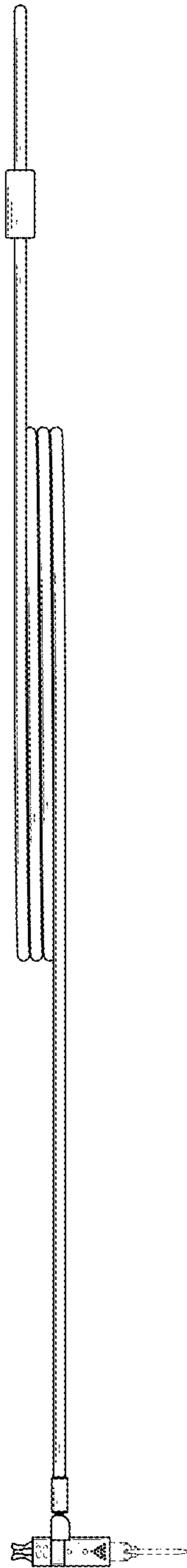


FIG. 5



FIG. 6

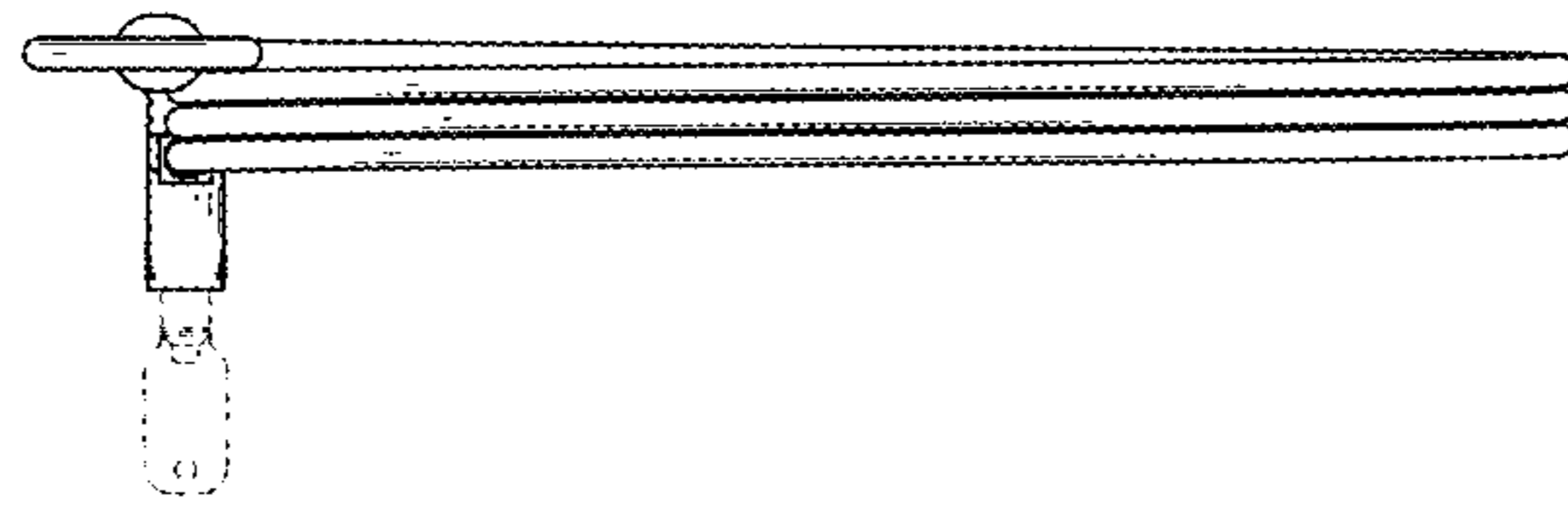


FIG. 7

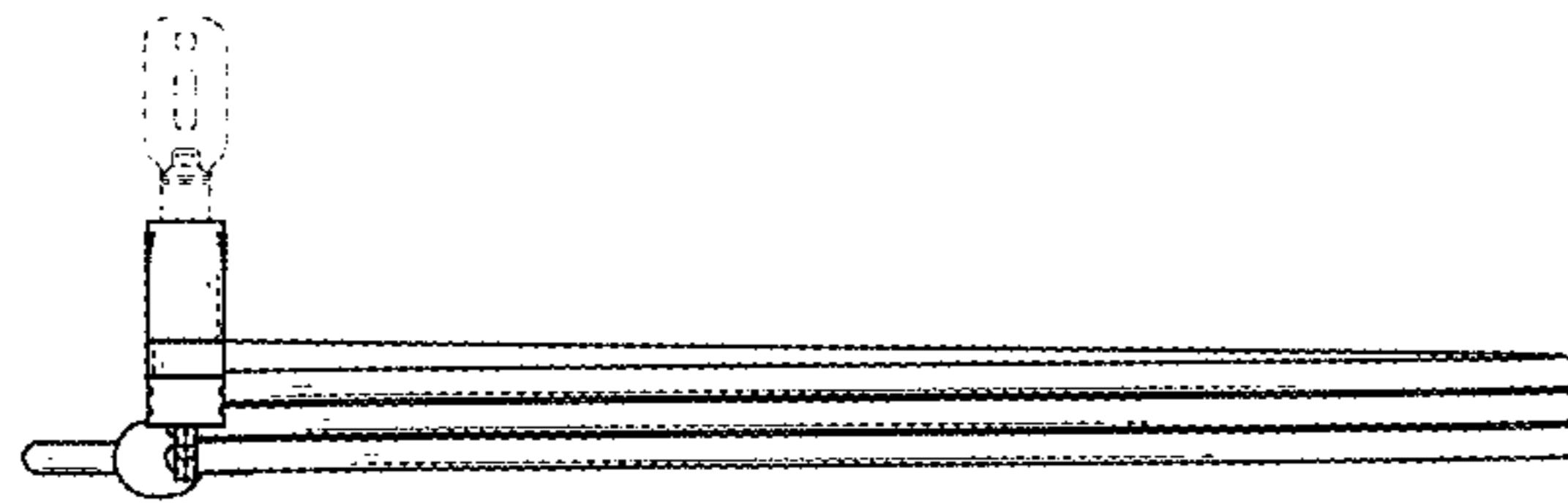


FIG. 8

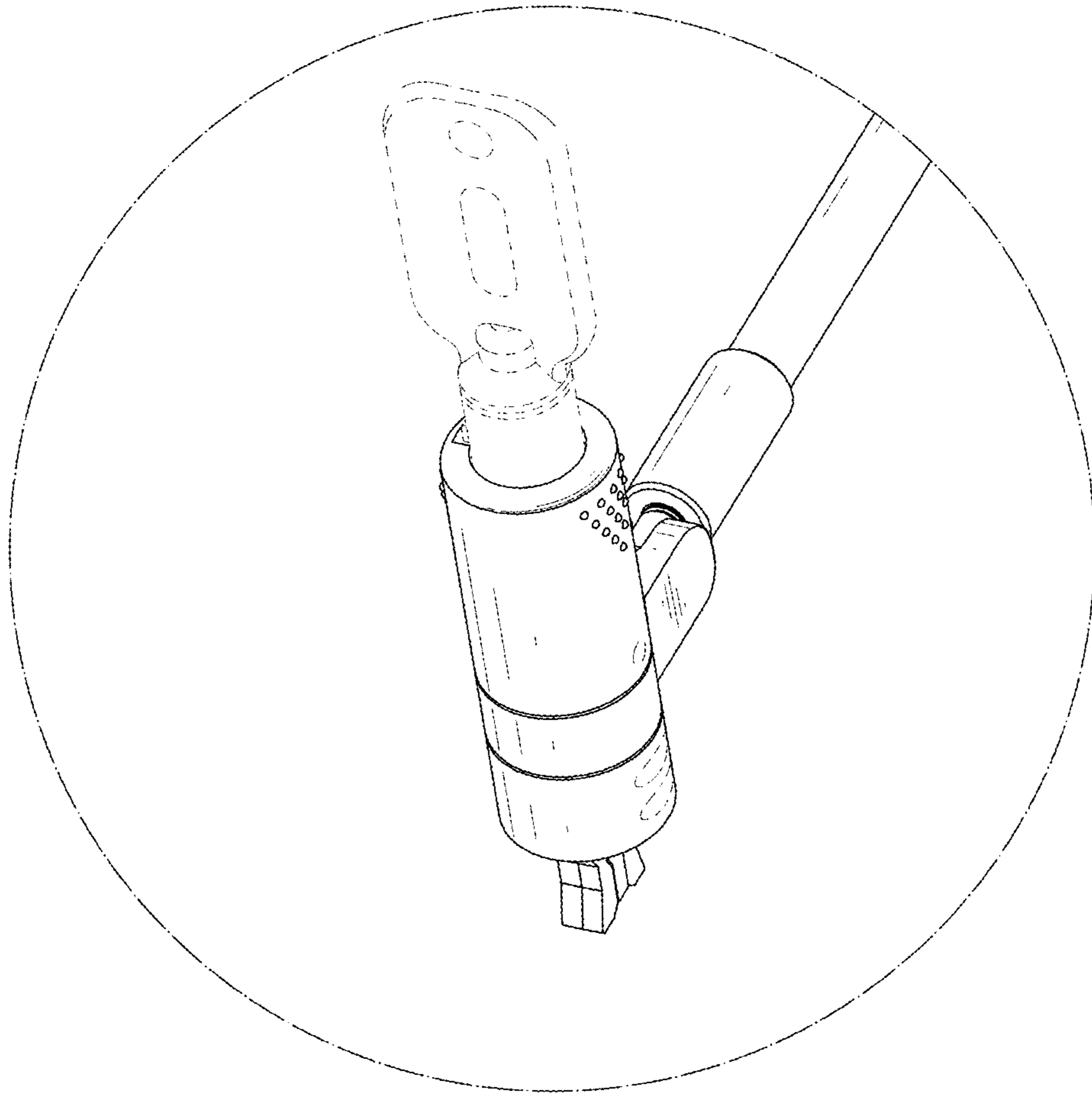


FIG. 9