



US00D932282S

(12) **United States Design Patent**  
**Zhong**

(10) **Patent No.:** **US D932,282 S**

(45) **Date of Patent:** **\*\* Oct. 5, 2021**

(54) **U-LOCK**

(71) Applicant: **Sanxi Zhong**, Yueyang (CN)

(72) Inventor: **Sanxi Zhong**, Yueyang (CN)

(\*\*) Term: **15 Years**

(21) Appl. No.: **29/726,214**

(22) Filed: **Mar. 2, 2020**

(51) **LOC (13) Cl.** ..... **08-07**

(52) **U.S. Cl.**  
USPC ..... **D8/333**

(58) **Field of Classification Search**  
USPC ..... D8/333  
CPC ..... E05B 71/00; B62H 5/00; B62H 2005/008  
See application file for complete search history.

(56) **References Cited**

**U.S. PATENT DOCUMENTS**

D367,601 S \* 3/1996 Brendel ..... D8/333  
9,079,626 B2 \* 7/2015 Zuraski ..... E05B 71/00  
D775,510 S \* 1/2017 Lee ..... D8/333

D791,571 S \* 7/2017 Idzkowski ..... D8/334  
9,822,559 B2 \* 11/2017 Smith ..... E05B 67/38  
9,890,561 B2 \* 2/2018 Perrenoud ..... E05B 71/00  
10,378,246 B2 \* 8/2019 Perrenoud ..... B65D 83/384

\* cited by examiner

*Primary Examiner* — Doris Clark

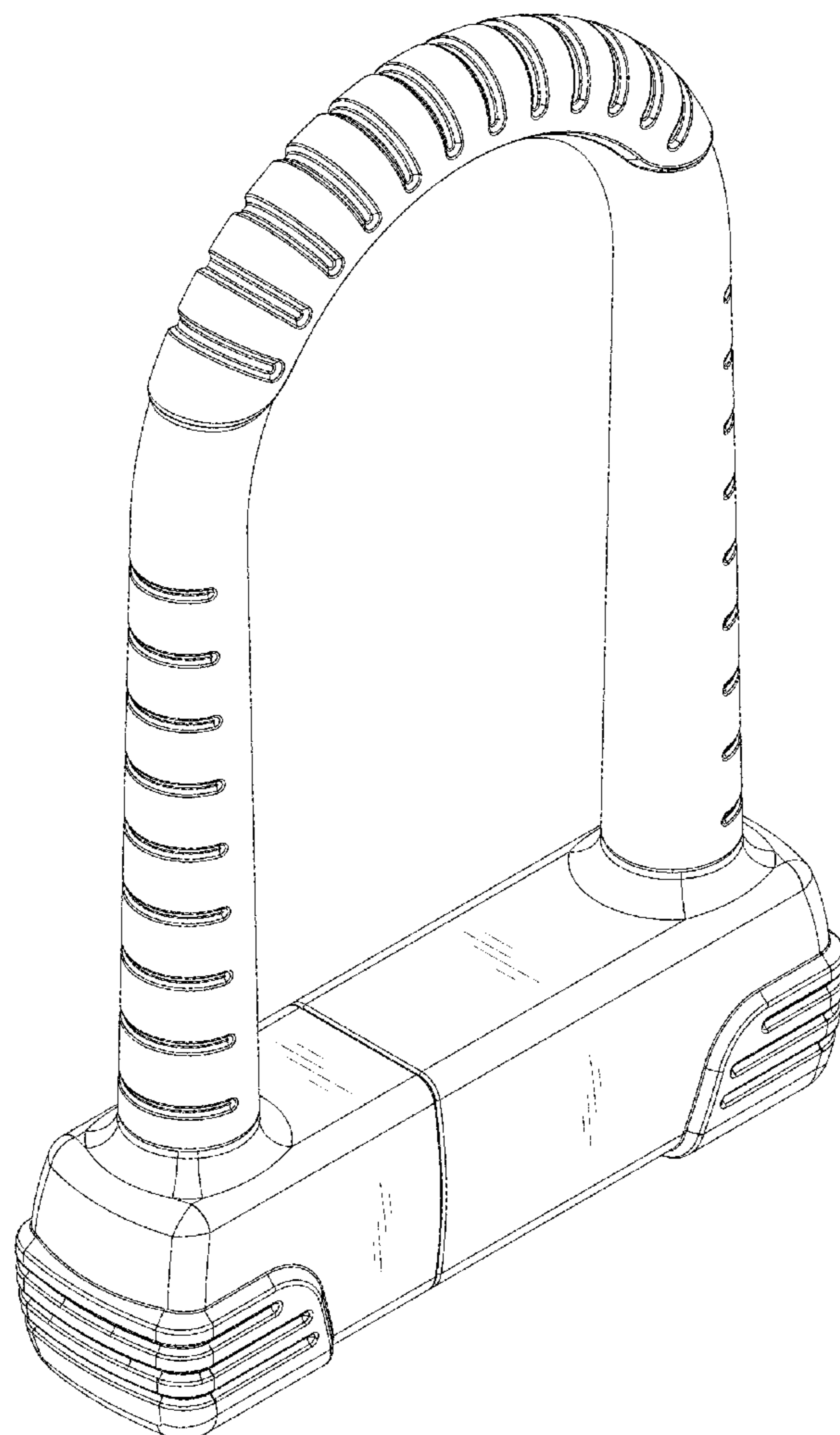
(57) **CLAIM**

The ornamental design for a U-lock, as shown and described.

**DESCRIPTION**

FIG. 1 is a front, top perspective view of a U-lock showing my new design;  
FIG. 2 is a front, bottom perspective view thereof;  
FIG. 3 is a front elevational view thereof;  
FIG. 4 is a rear elevational view thereof;  
FIG. 5 is a left side elevational view thereof;  
FIG. 6 is a right side elevational view thereof;  
FIG. 7 is a top plan view thereof; and,  
FIG. 8 is a bottom plan view thereof.

**1 Claim, 7 Drawing Sheets**



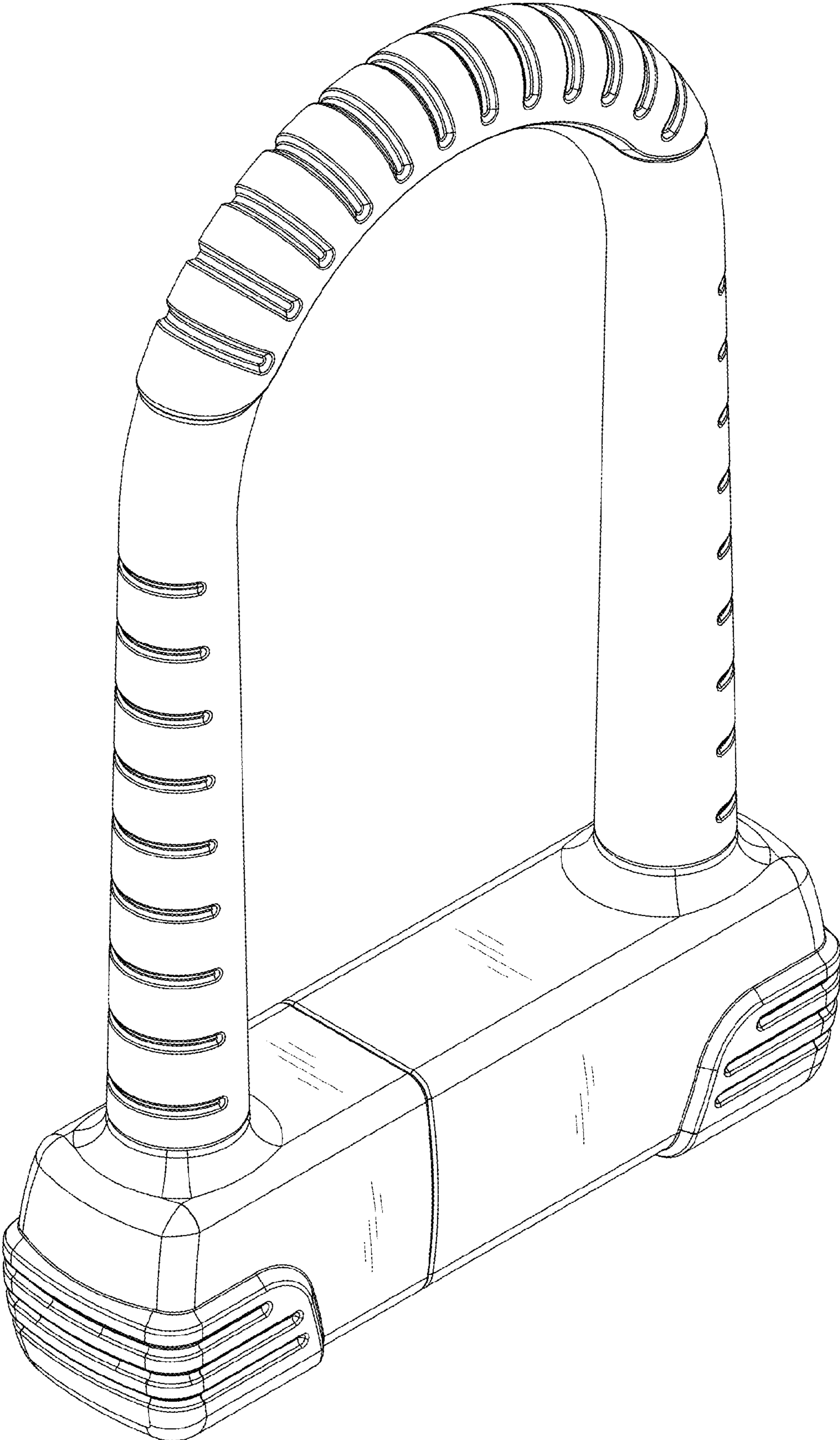


FIG. 1

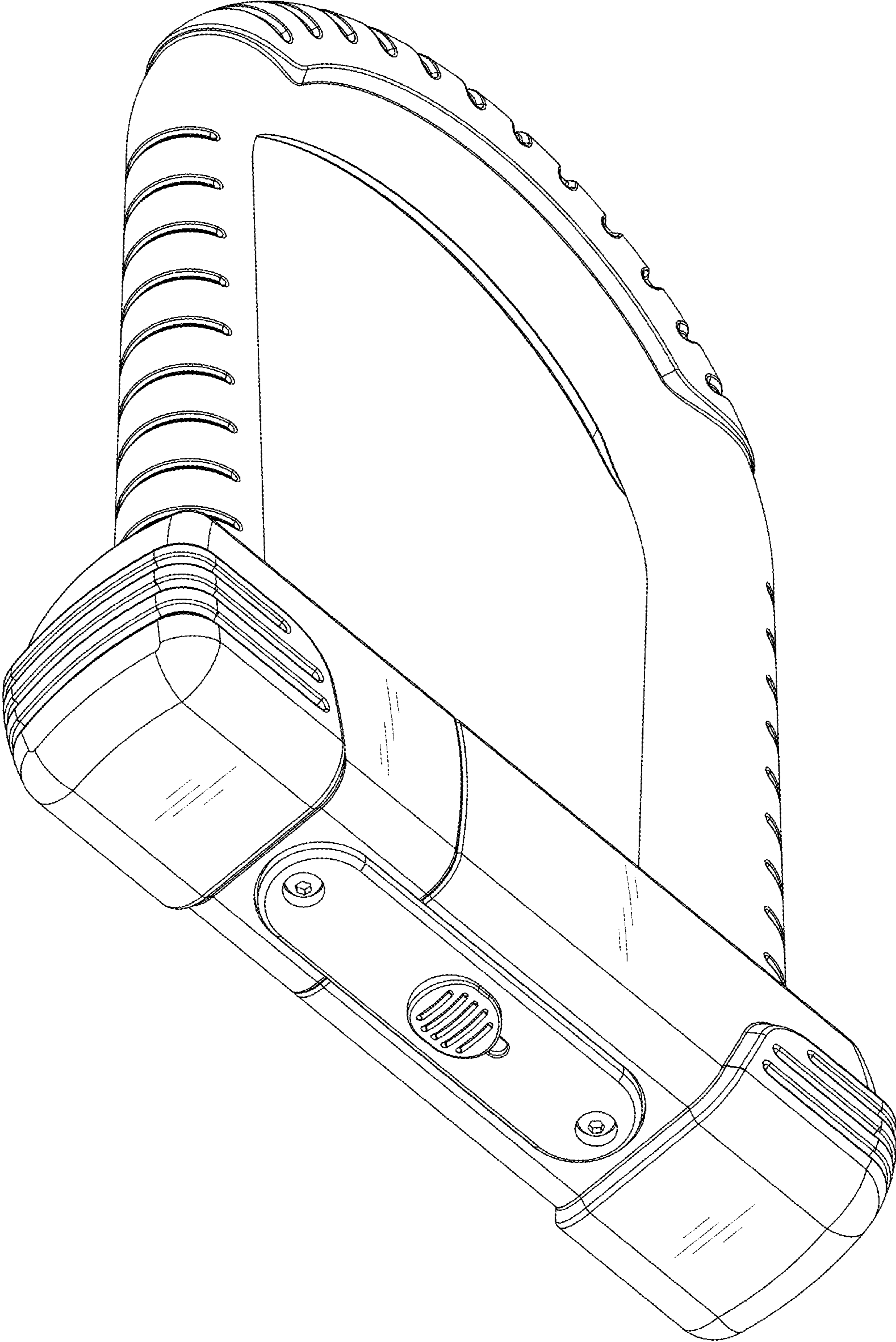


FIG. 2

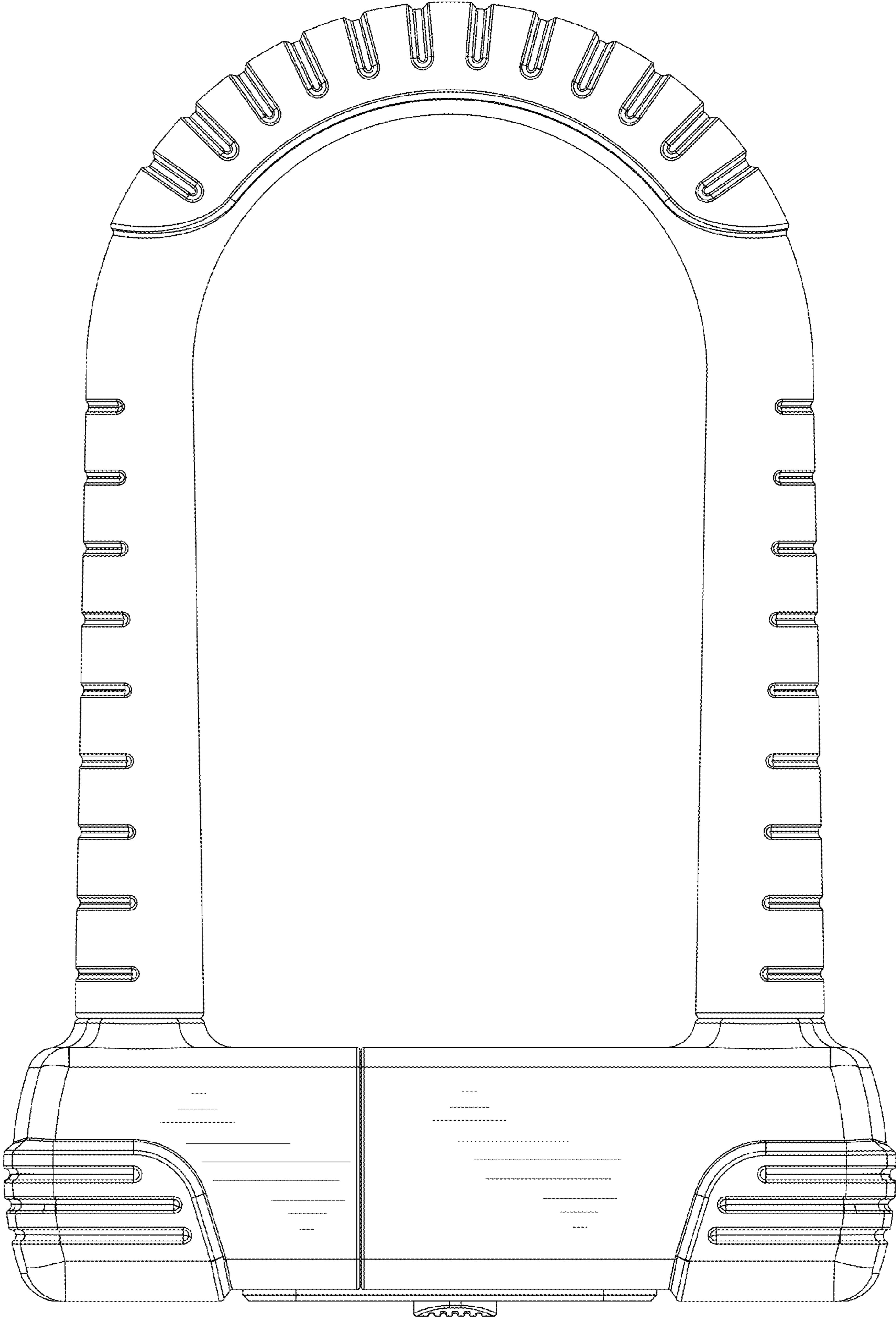


FIG. 3

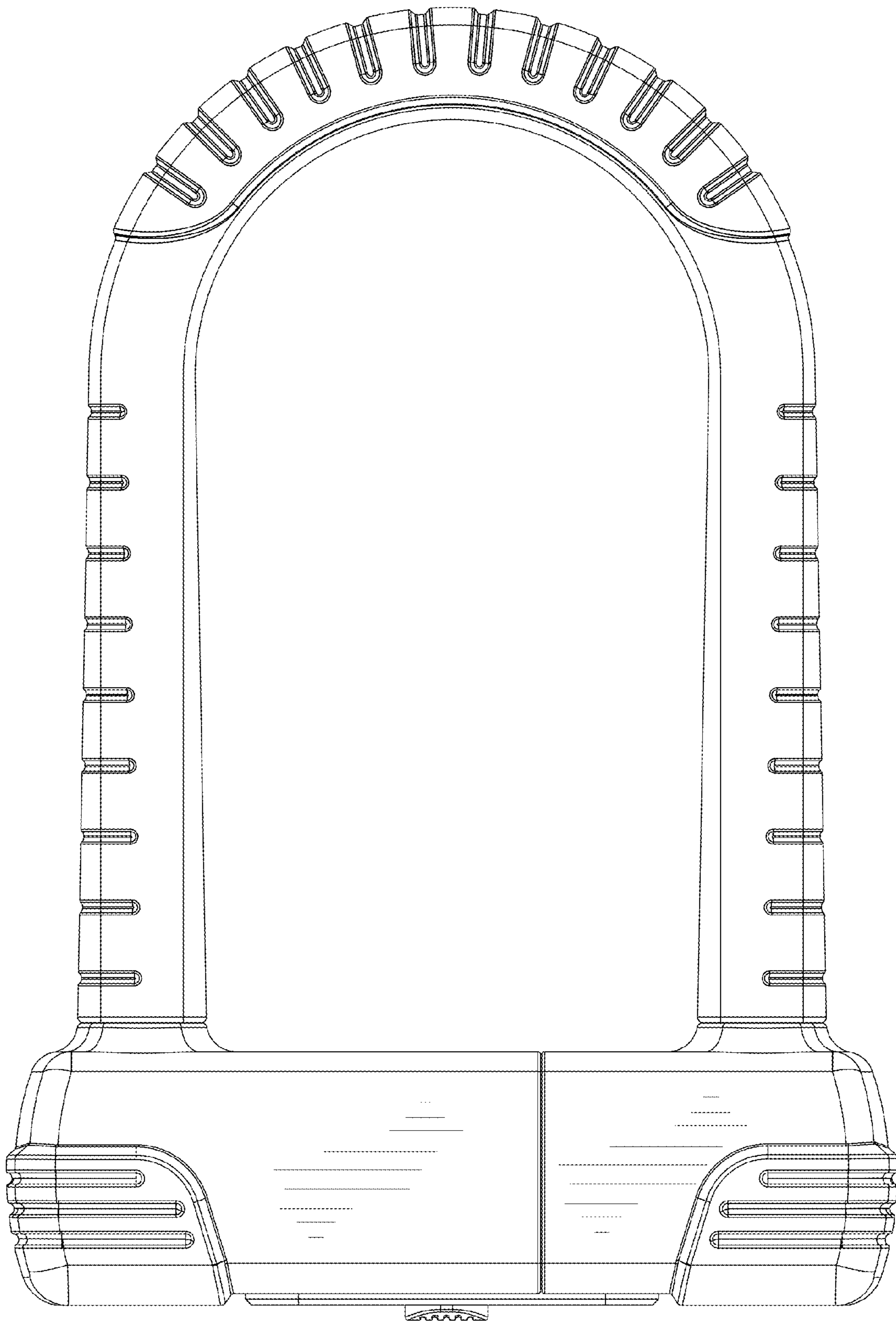


FIG. 4

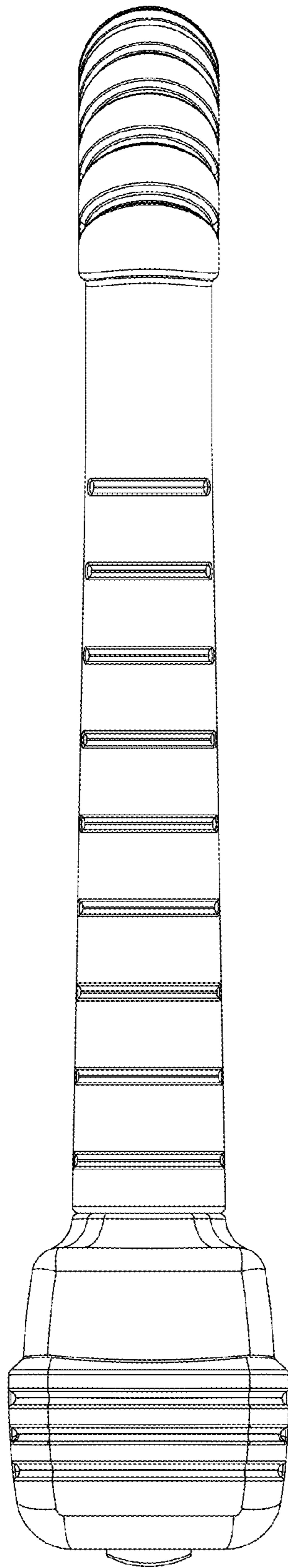


FIG. 5

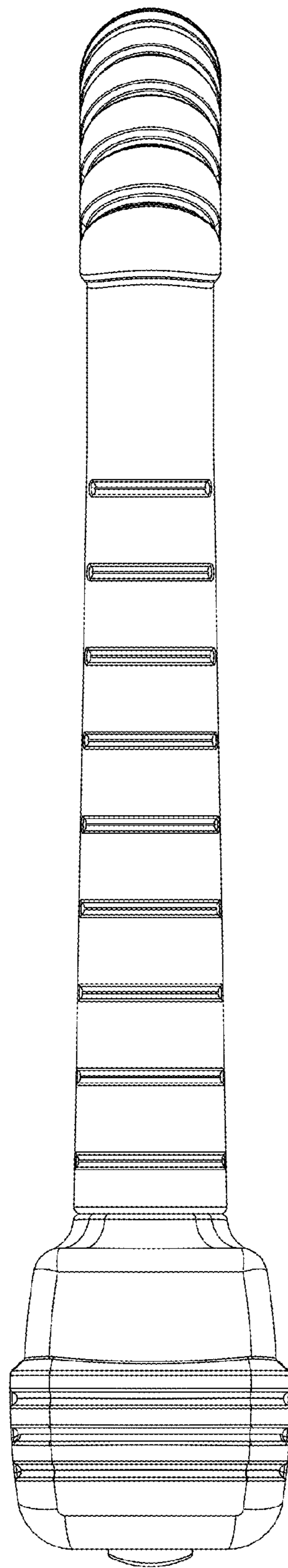


FIG. 6

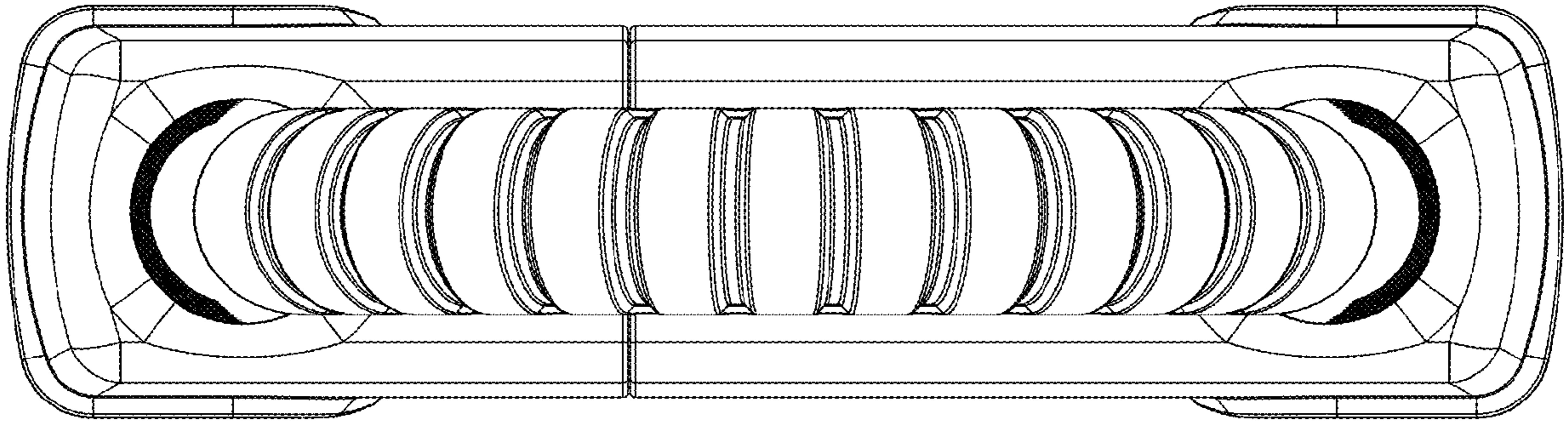


FIG. 7

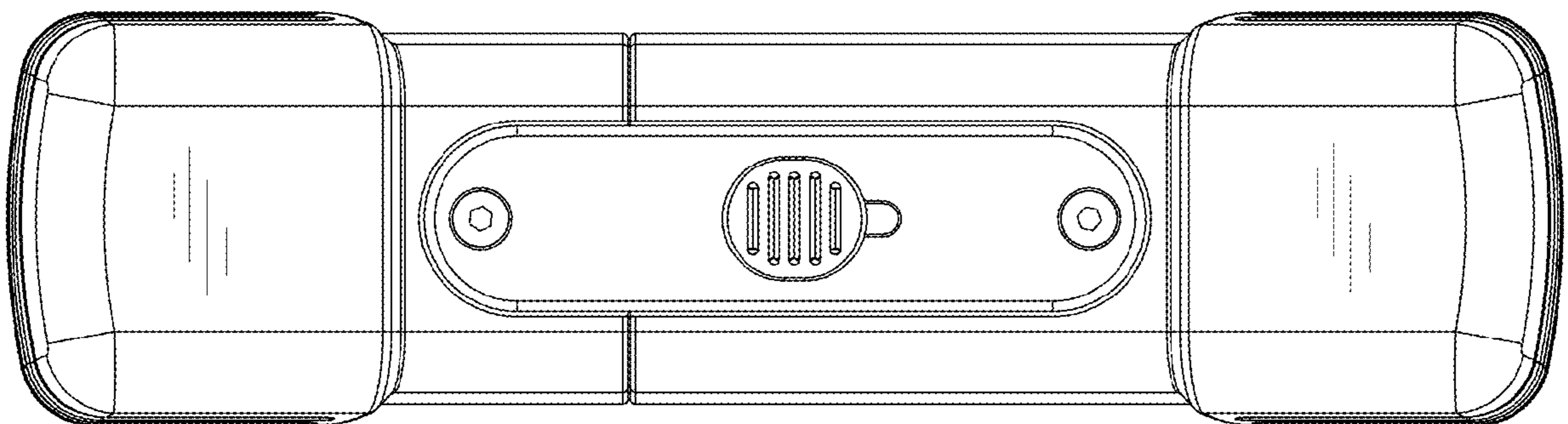


FIG. 8